

[54] BARBECUE SPIT WITH REMOVABLE COVERS

[75] Inventor: Lawrence P. Whelan, Queenscliff, Australia

[73] Assignee: Laurie Whelan Industries Pty. Limited, Newton, Australia

[**] Term: 14 Years

[21] Appl. No.: 206,743

[22] Filed: Nov. 14, 1980

[30] Foreign Application Priority Data

May 21, 1980 [AU] Australia 81,005

[51] Int. Cl. D7-02

[52] U.S. Cl. D7/338

[58] Field of Search D15/104, 106, 108, 109; 99/419, 420, 421, 339; 126/29, 9

[56] References Cited

U.S. PATENT DOCUMENTS

D. 205,570 8/1966 Frazier D15/106
3,943,837 3/1976 Trkla 99/421 H X
4,108,055 8/1978 Simmons 99/421 H

FOREIGN PATENT DOCUMENTS

1292816 4/1969 Fed. Rep. of Germany 99/420
469456 7/1975 U.S.S.R. 99/421 P

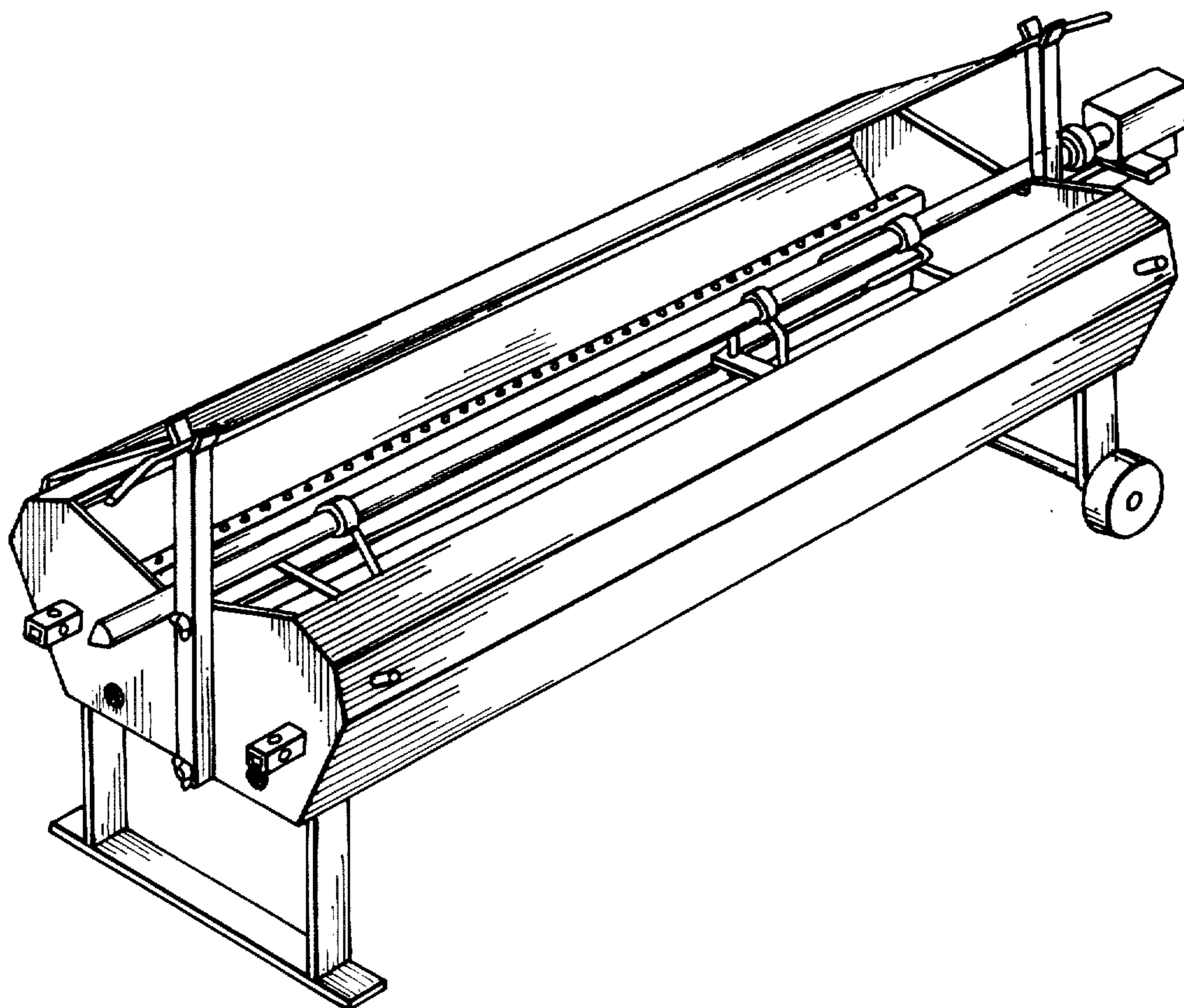
Primary Examiner—Catherine E. Kemper

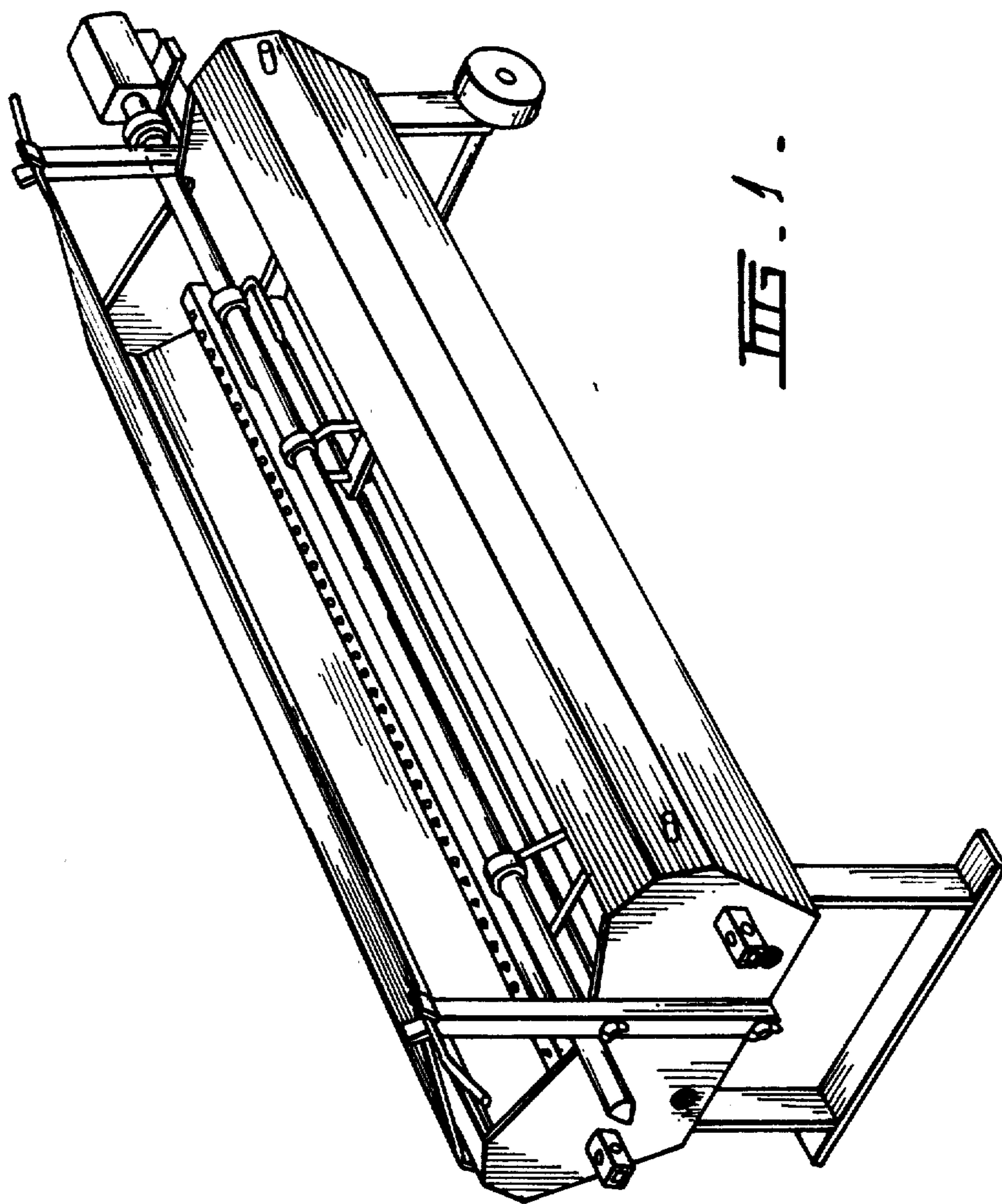
[57] CLAIM

The ornamental design for barbecue spit with removable covers, substantially as shown.

DESCRIPTION

FIG. 1 is a perspective view of a barbecue spit with removable covers, showing my new design, shown with one cover removed for a complete disclosure; FIG. 2 is a bottom perspective view thereof but with both covers in place; FIG. 3 is an end elevational view thereof.





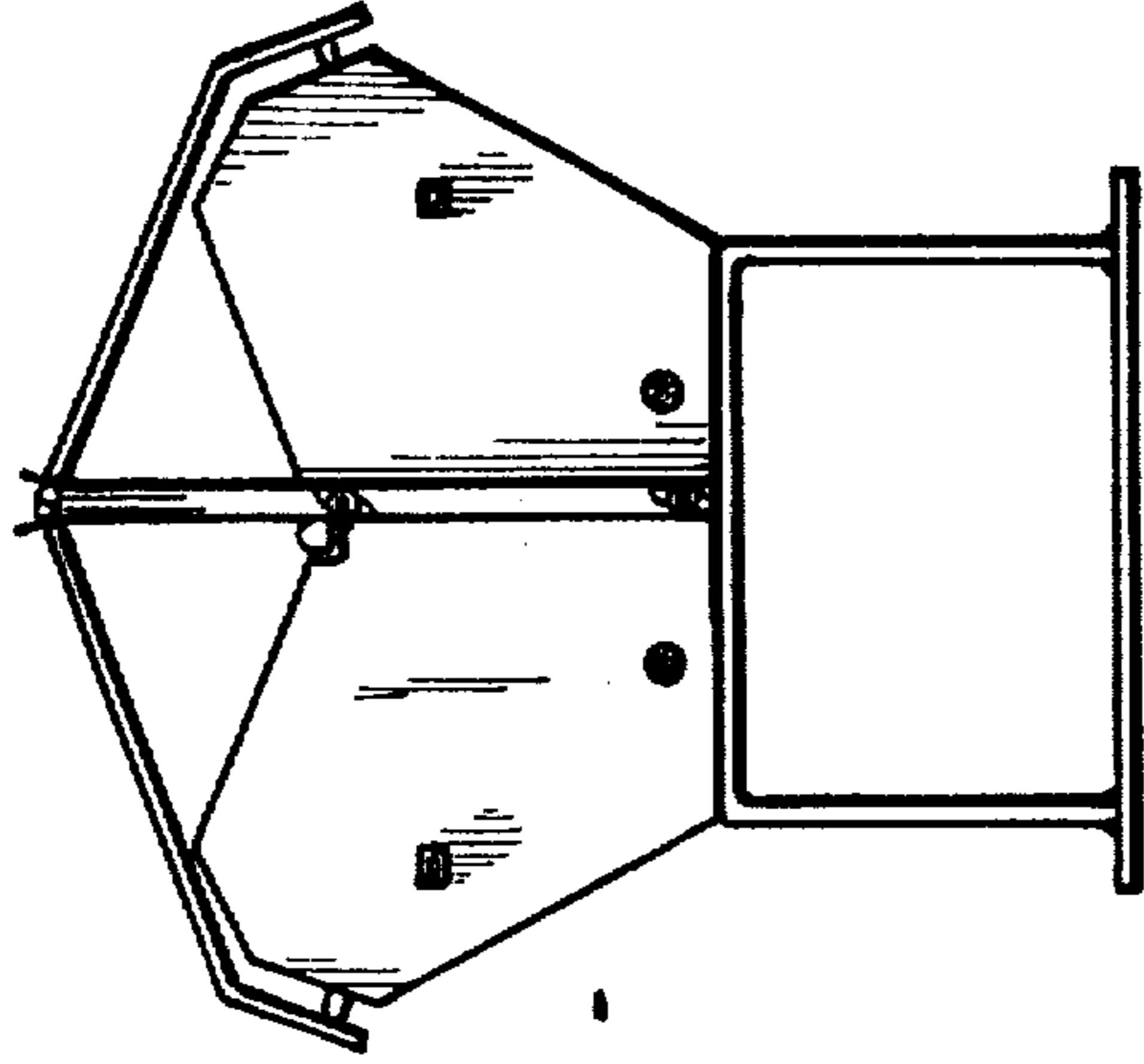


FIG. 3.

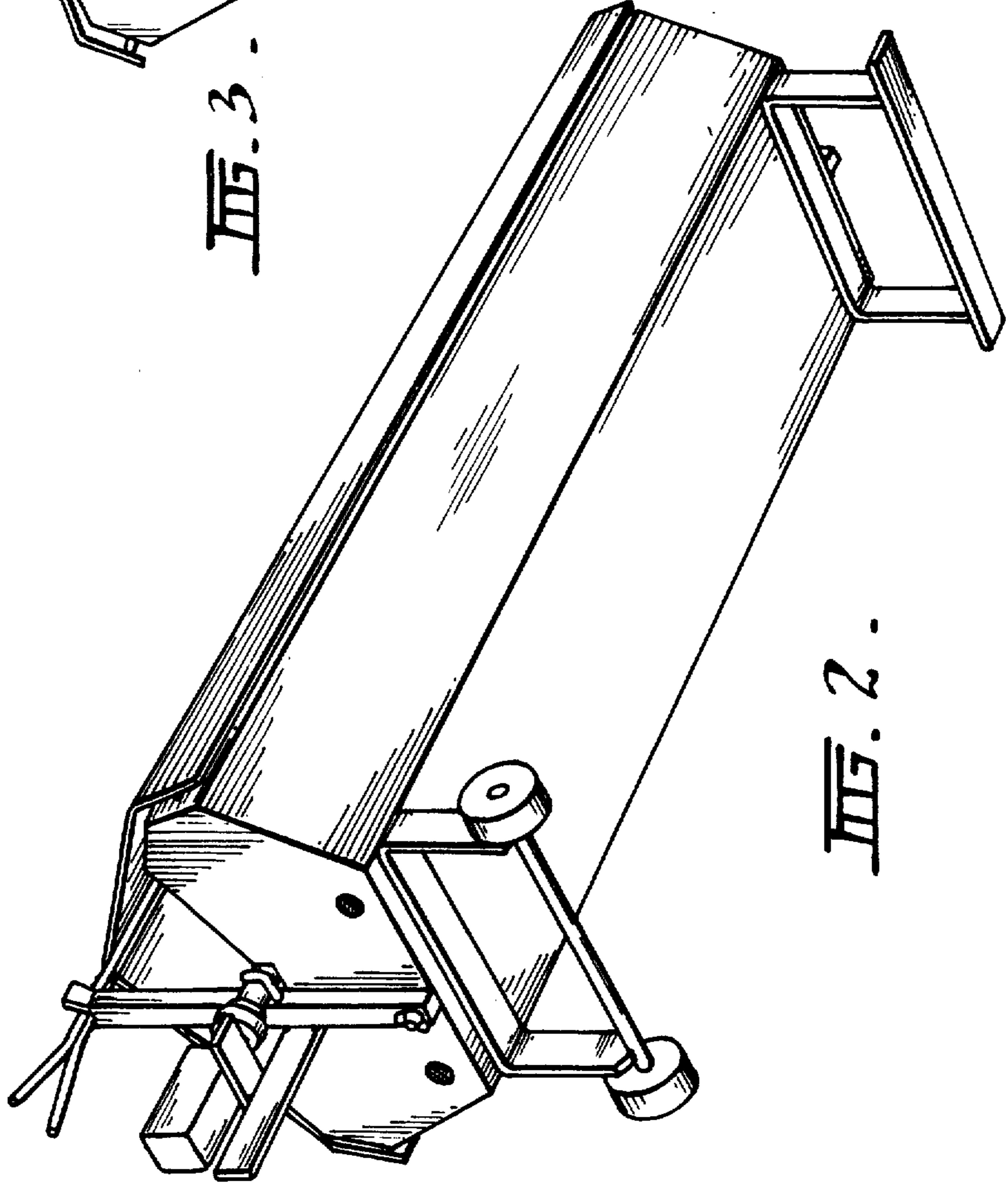


FIG. 2.