

[54] BUTTER DISH OR THE LIKE

[75] Inventor: Rino Conti, Stoughton, Mass.
[73] Assignee: Dart Industries Inc., Northbrook, Ill.
[**] Term: 14 Years
[21] Appl. No.: 274,950
[22] Filed: Jun. 18, 1981

[51] Int. Cl. D07-01
[52] U.S. Cl. D7/84
[58] Field of Search D7/39, 76, 40, 84, 83,
D7/82, 16, 18, 391; D9/435, 414, 423, 424, 430,
432; D3/30.1

[56] References Cited
U.S. PATENT DOCUMENTS

D. 186,679 11/1959 Hopcraft D7/84
D. 235,406 6/1975 Daenen D7/84 X
D. 261,214 10/1981 Oelzner D7/84
3,426,935 2/1969 Swett D7/84 X

OTHER PUBLICATIONS

McKee Glass Co., Oct. 16, 1942, p. 2, Kitchenware, #30 One Pound Butter Box With Deep Cover, bottom r. *Pyrex Ware*, Supplement to Home Furnishings Daily, Jan. 12, 1960, p. 2, top r., Space Saver Casserole 2 qt./Clear Cover.

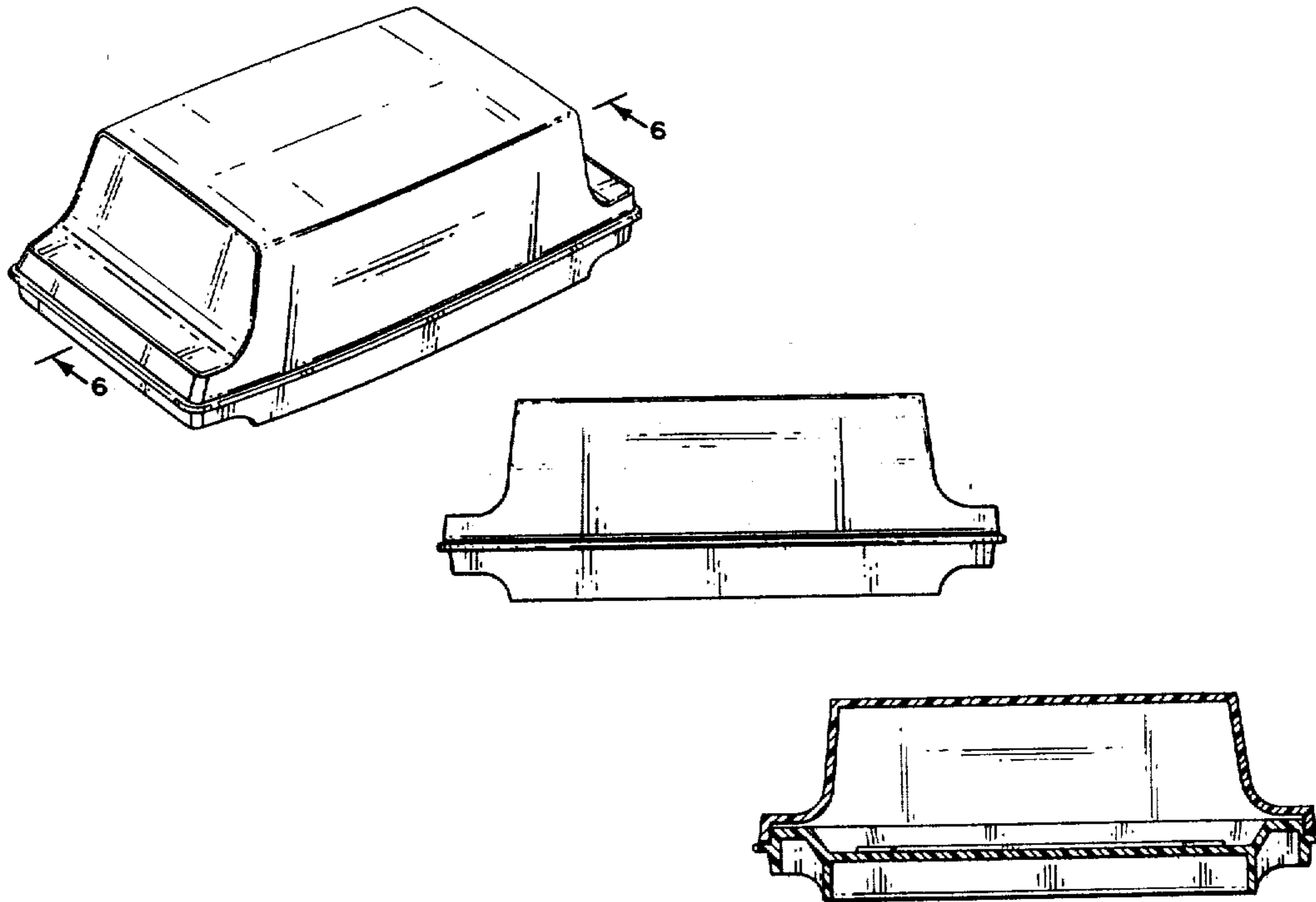
Primary Examiner—Winifred E. Herrmann
Attorney, Agent, or Firm—Leigh B. Taylor

[57] CLAIM

The ornamental design for a butter dish or the like, substantially as shown.

DESCRIPTION

FIG. 1 is a perspective view of a butter dish or the like showing my new design;
FIG. 2 is a side elevational view thereof;
FIG. 3 is an end elevational view thereof;
FIG. 4 is a top plan view thereof;
FIG. 5 is a bottom plan view thereof; and
FIG. 6 is a cross-sectional view thereof taken along line 6-6 of FIG. 1.



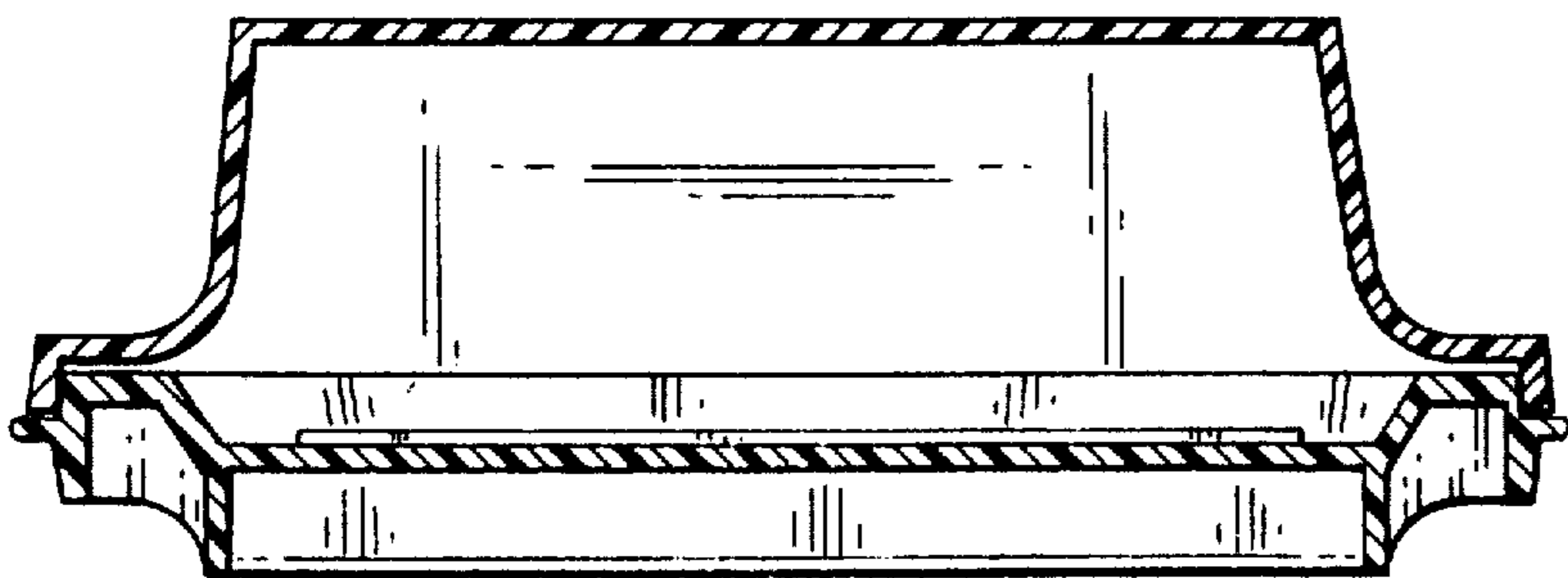
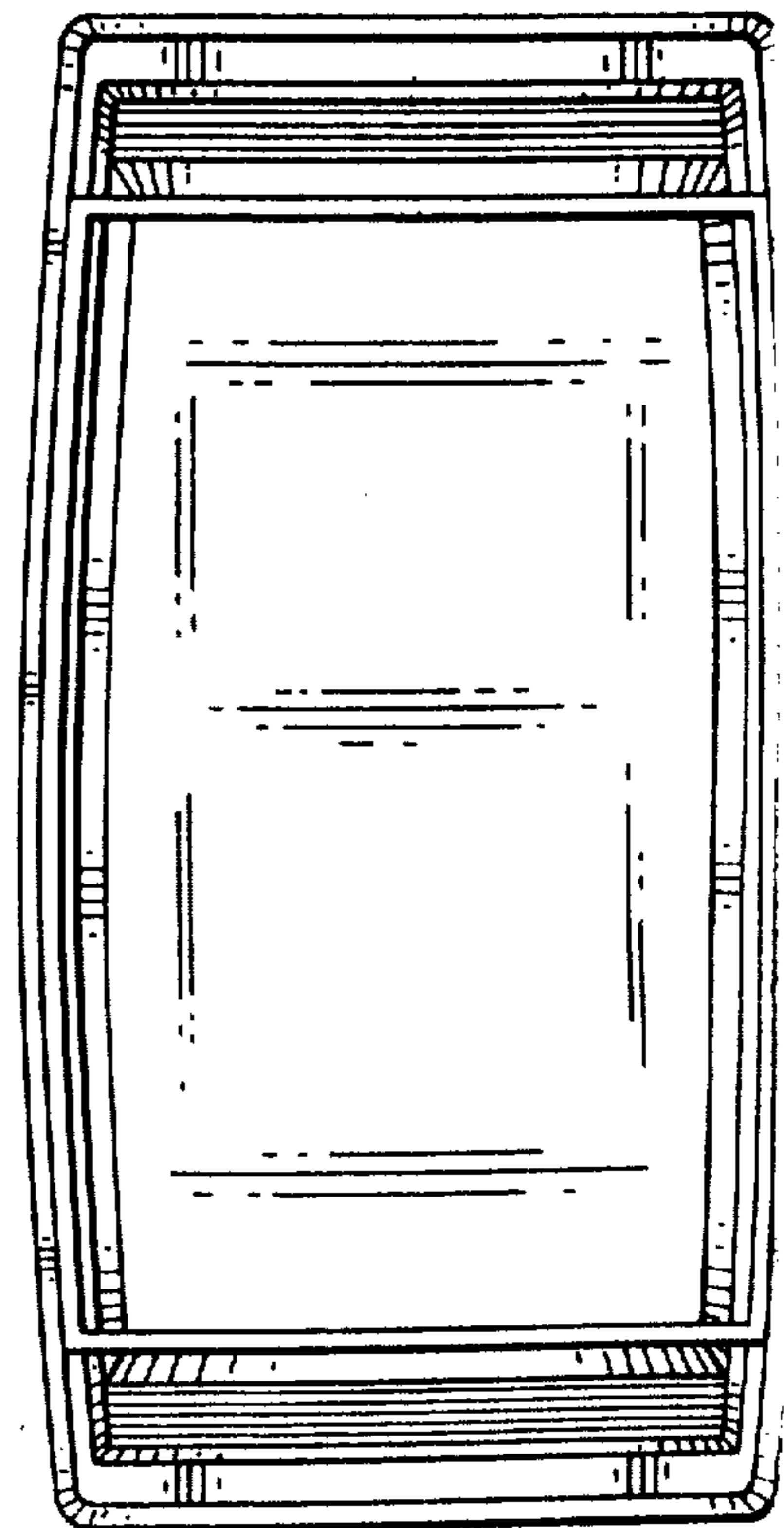
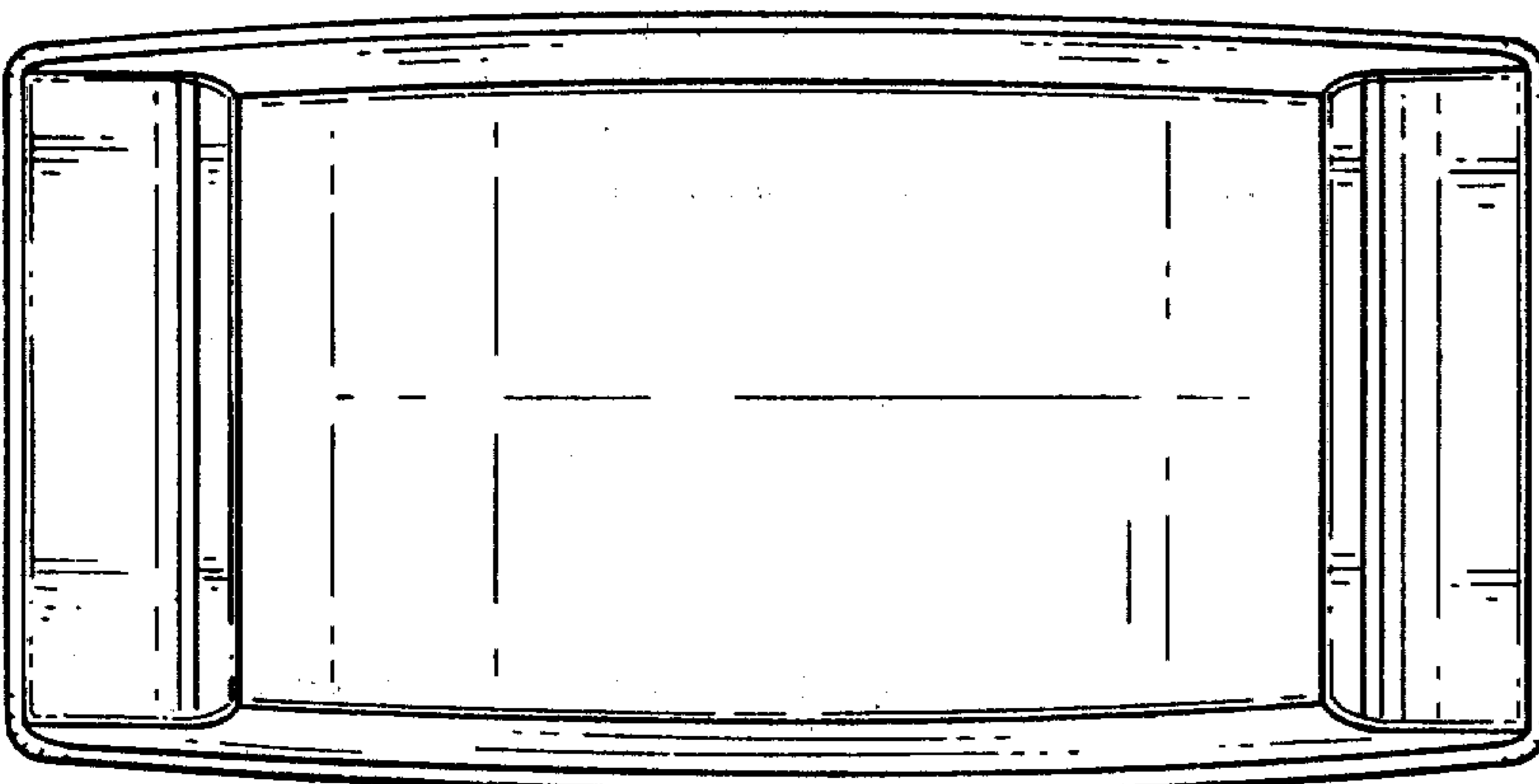
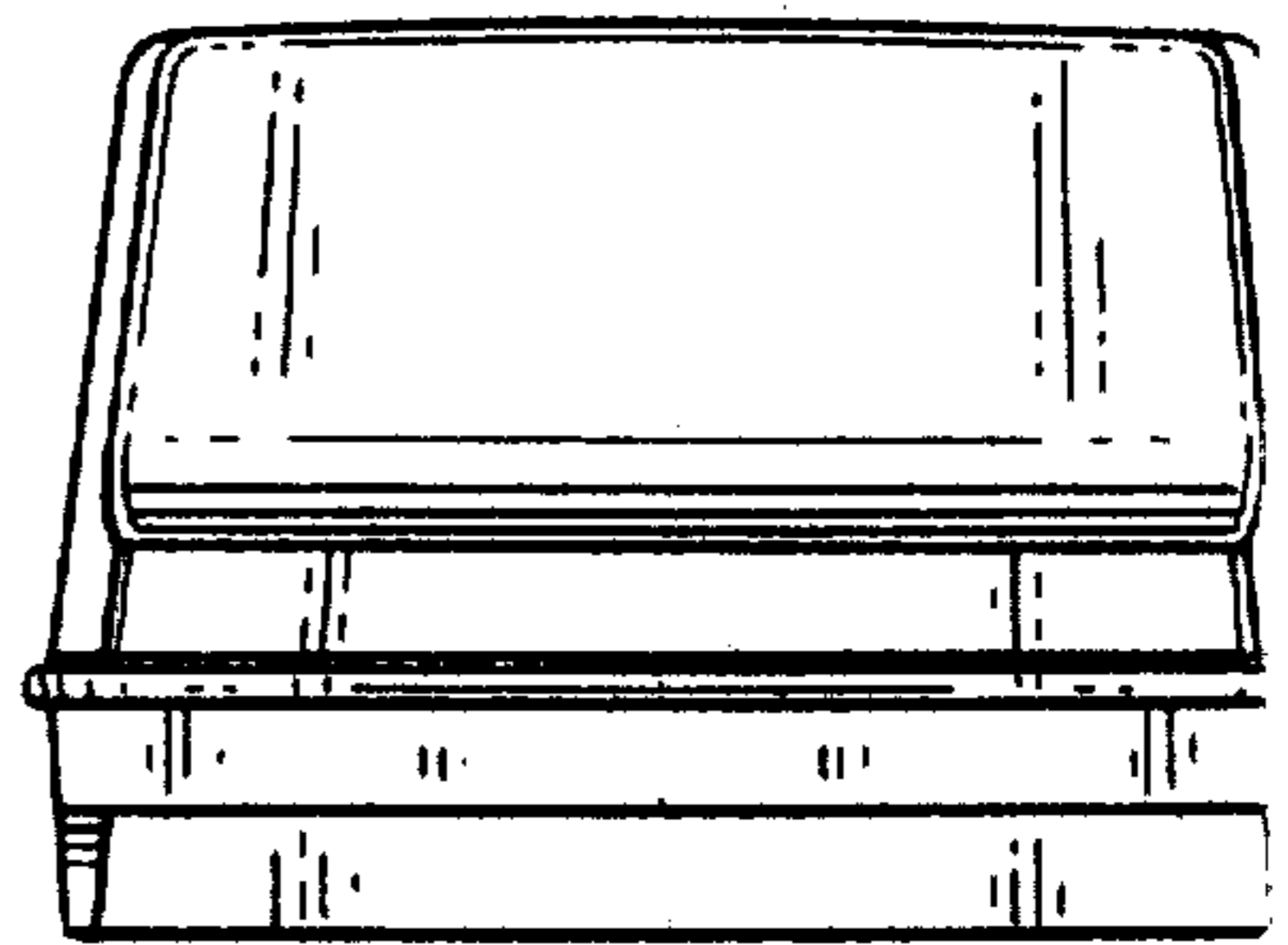
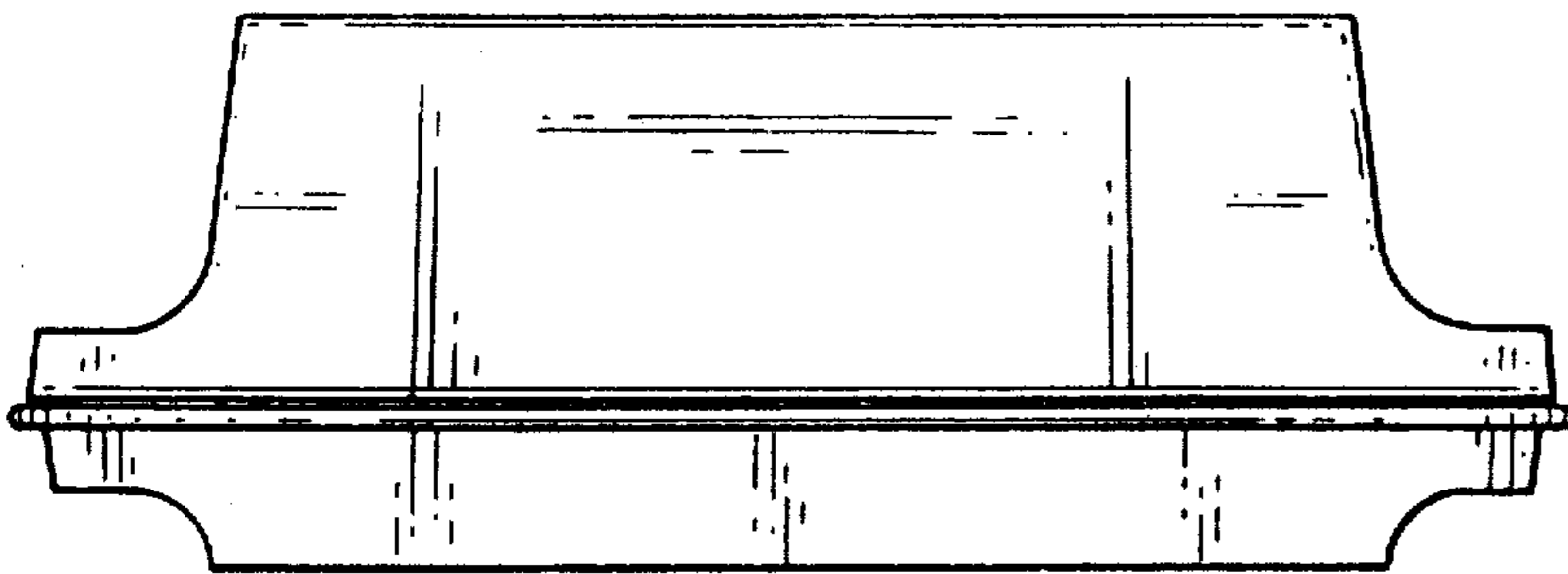
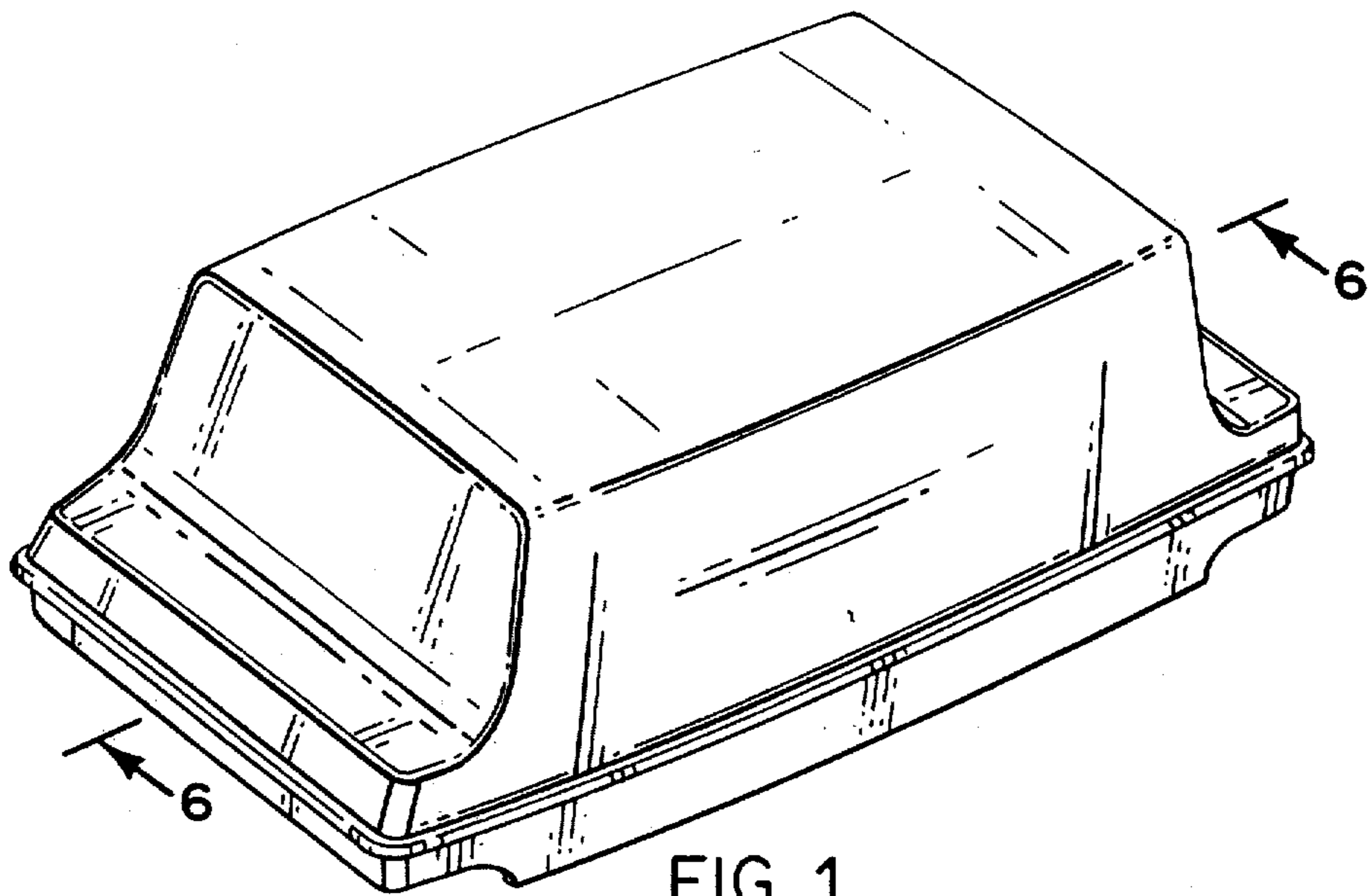


FIG. 6

FIG. 5