

[54] **GOBLET OR SIMILAR ARTICLE**

- [75] Inventor: James L. Thrush, Lancaster, Ohio
- [73] Assignee: Anchor Hocking Corporation, Lancaster, Ohio
- [**] Term: 14 Years
- [21] Appl. No.: 369,924
- [22] Filed: Apr. 19, 1982

Related U.S. Application Data

- [62] Division of Ser. No. 140,180, Apr. 14, 1980, Pat. No. Des. 267,697.
- [51] Int. Cl. D07-01
- [52] U.S. Cl. D7/11; D7/13
- [58] Field of Search D7/28, 13, 11, 22, 3, D7/6-15

References Cited

U.S. PATENT DOCUMENTS

- D. 40,999 11/1910 Gredelue D7/13 X
- D. 246,219 11/1977 Harbaugh et al. D7/13
- D. 249,919 10/1978 Thrush D7/14

OTHER PUBLICATIONS

Gifts & Tableware, Dec. 1978, p. 107, "Longchamp" by J. G. Durand; Lead French Crystal-Goblets shown.
The Complete Cut & Engraved Glass of Corning, by E. S. Farrar et al., Crown Publ., ©1979, p. 67, #154, top left panel, Strawberry Diamond Stemware.
Fostoria Crystal of America, p.9, "Stratton" Crystal, top panel, Goblets shown.
Fostoria Crystal of America, p. 10, "American Crystal, top panel, Goblets 2N from l. and far r.

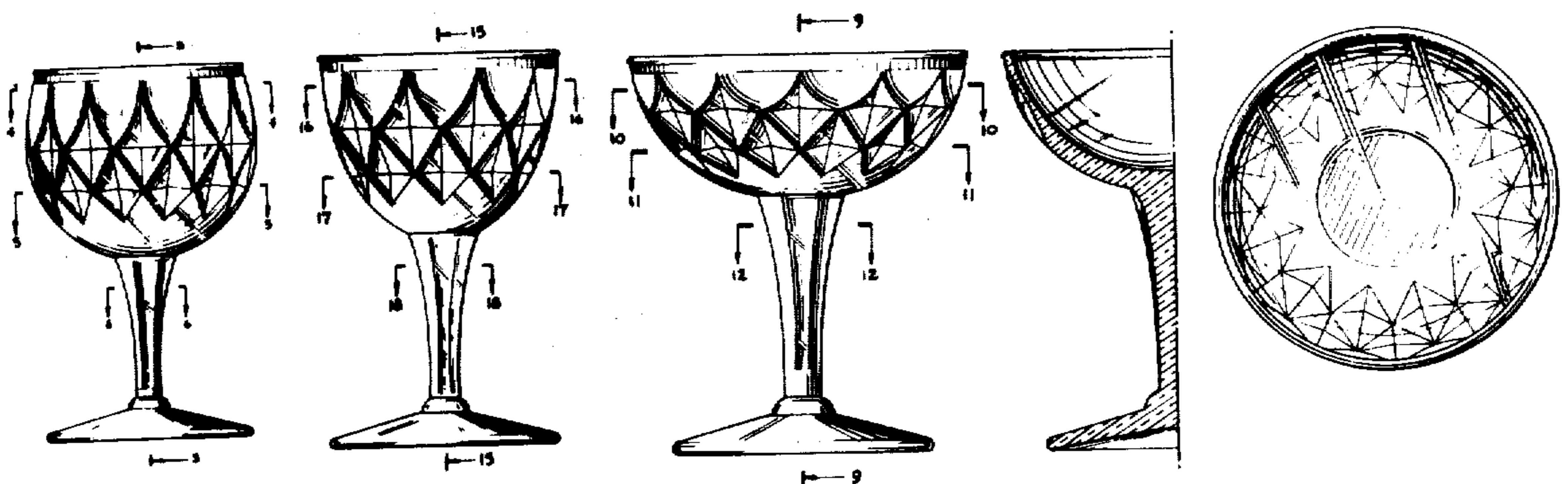
Primary Examiner—Winifred E. Herrmann
Attorney, Agent, or Firm—Holland, Armstrong, Wilkie & Previto

[57] **CLAIM**

The ornamental design for a goblet or similar article, substantially as shown and described.

DESCRIPTION

FIG. 1 is an elevational view of a goblet or similar article showing my new and ornamental design in the size and proportions of a wine goblet;
 FIG. 2 is a top view thereof;
 FIG. 3 is a sectional view taken along line 3—3 of FIG. 1;
 FIG. 4 is a sectional view taken along line 4—4 of FIG. 1;
 FIG. 5 is a sectional view taken along line 5—5 of FIG. 1;
 FIG. 6 is a sectional view taken along line 6—6 of FIG. 1;
 FIG. 7 is an elevational view of my new and ornamental design in the size and proportions of a champagne goblet;
 FIG. 8 is a top view thereof;
 FIG. 9 is a sectional view taken along line 9—9 of FIG. 7;
 FIG. 10 is a sectional view taken along line 10—10 of FIG. 7;
 FIG. 11 is a sectional view taken along line 11—11 of FIG. 7;
 FIG. 12 is a sectional view taken along line 12—12 of FIG. 7;
 FIG. 13 is an elevational view of my new and ornamental design in the size and proportions of another wine goblet;
 FIG. 14 is a top view thereof;
 FIG. 15 is a sectional view taken along line 15—15 of FIG. 13;
 FIG. 16 is a sectional view taken along line 16—16 of FIG. 13;
 FIG. 17 is a sectional view taken along line 17—17 of FIG. 13; and
 FIG. 18 is a sectional view taken along line 18—18 of FIG. 13.
 The base has been eliminated from FIGS. 5, 6, 11, 12, 17, and 18 for convenience of illustration.
 The facets that would be visible through the transparent walls in FIGS. 3-5, 9-11, and 15-18 have been omitted for convenience of illustration.



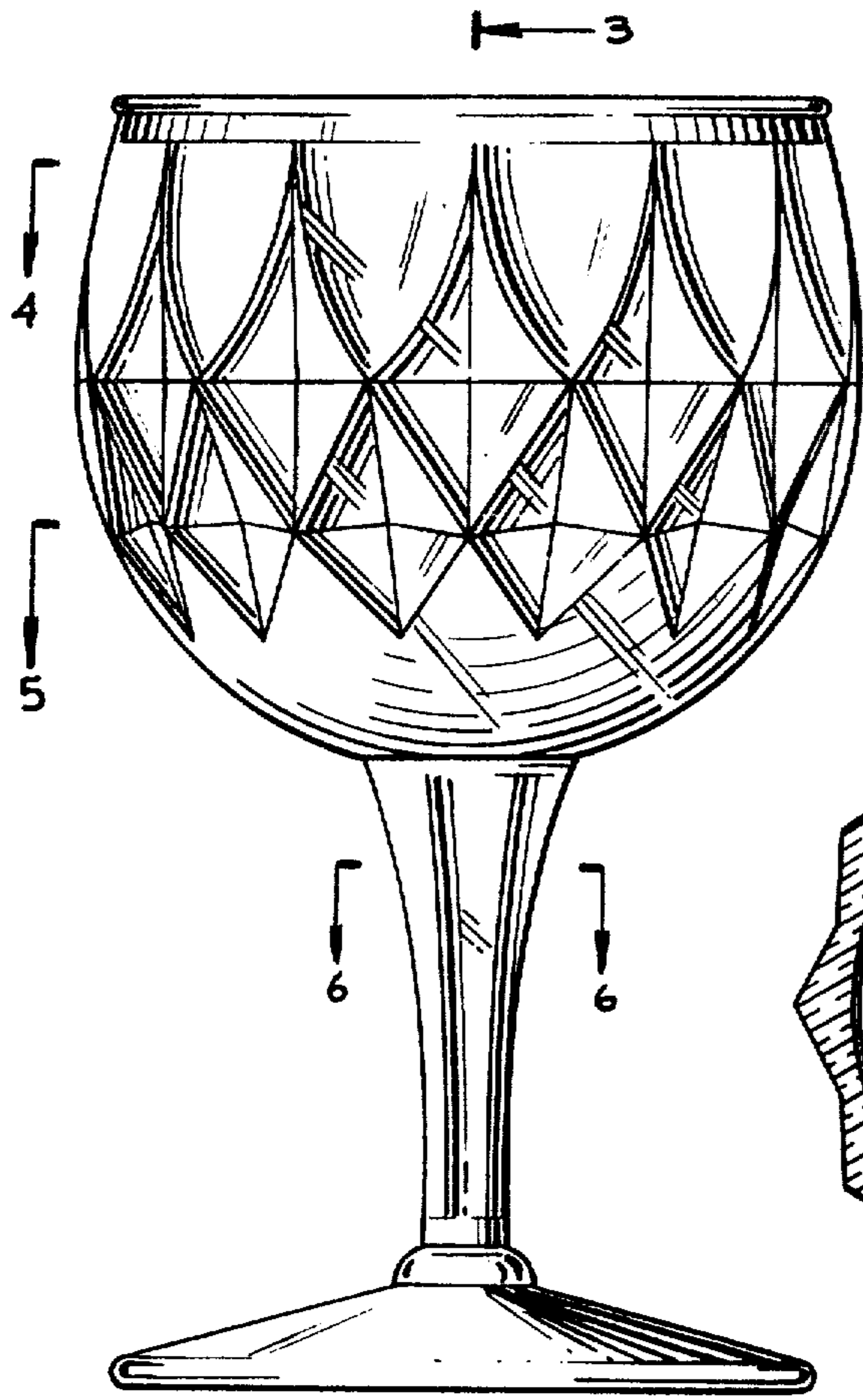


Fig. 1.

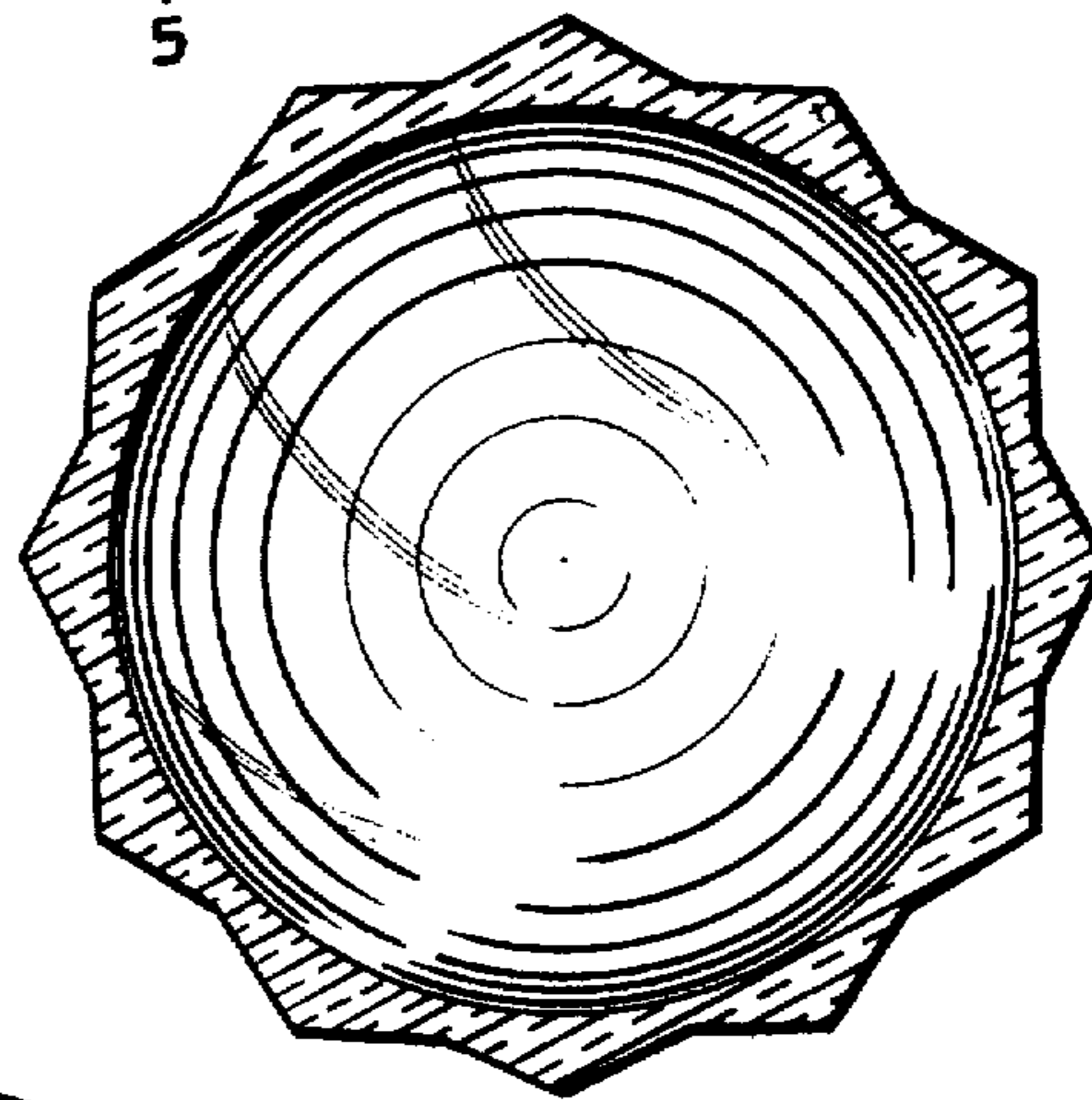


Fig. 5.

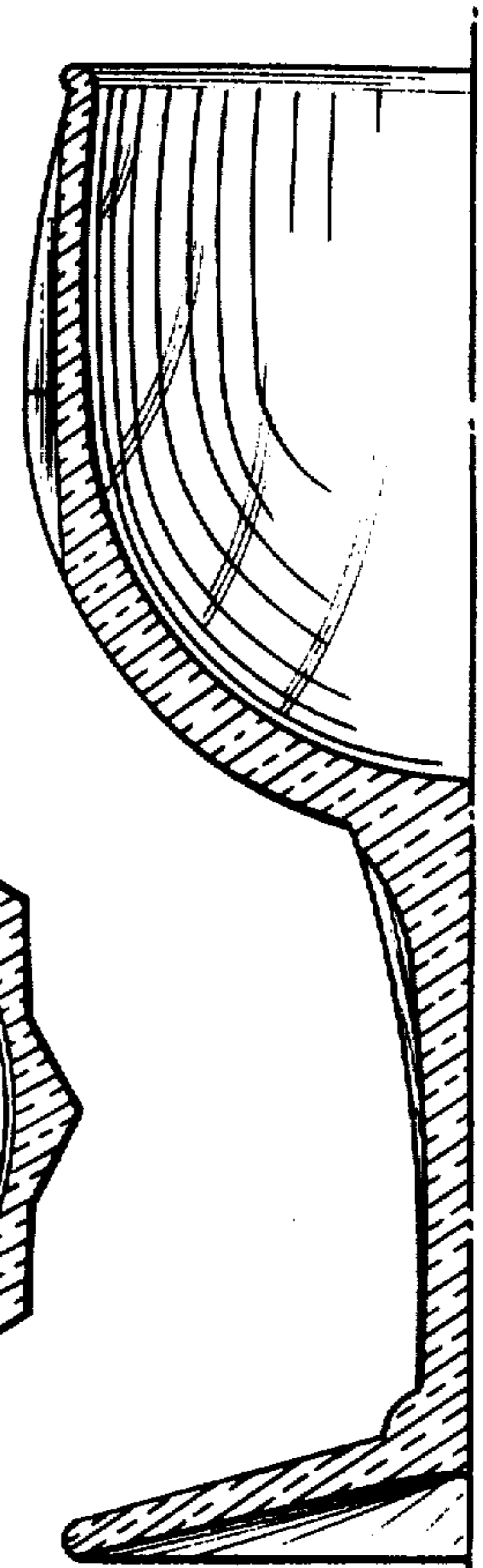


Fig. 3.

Fig. 2.

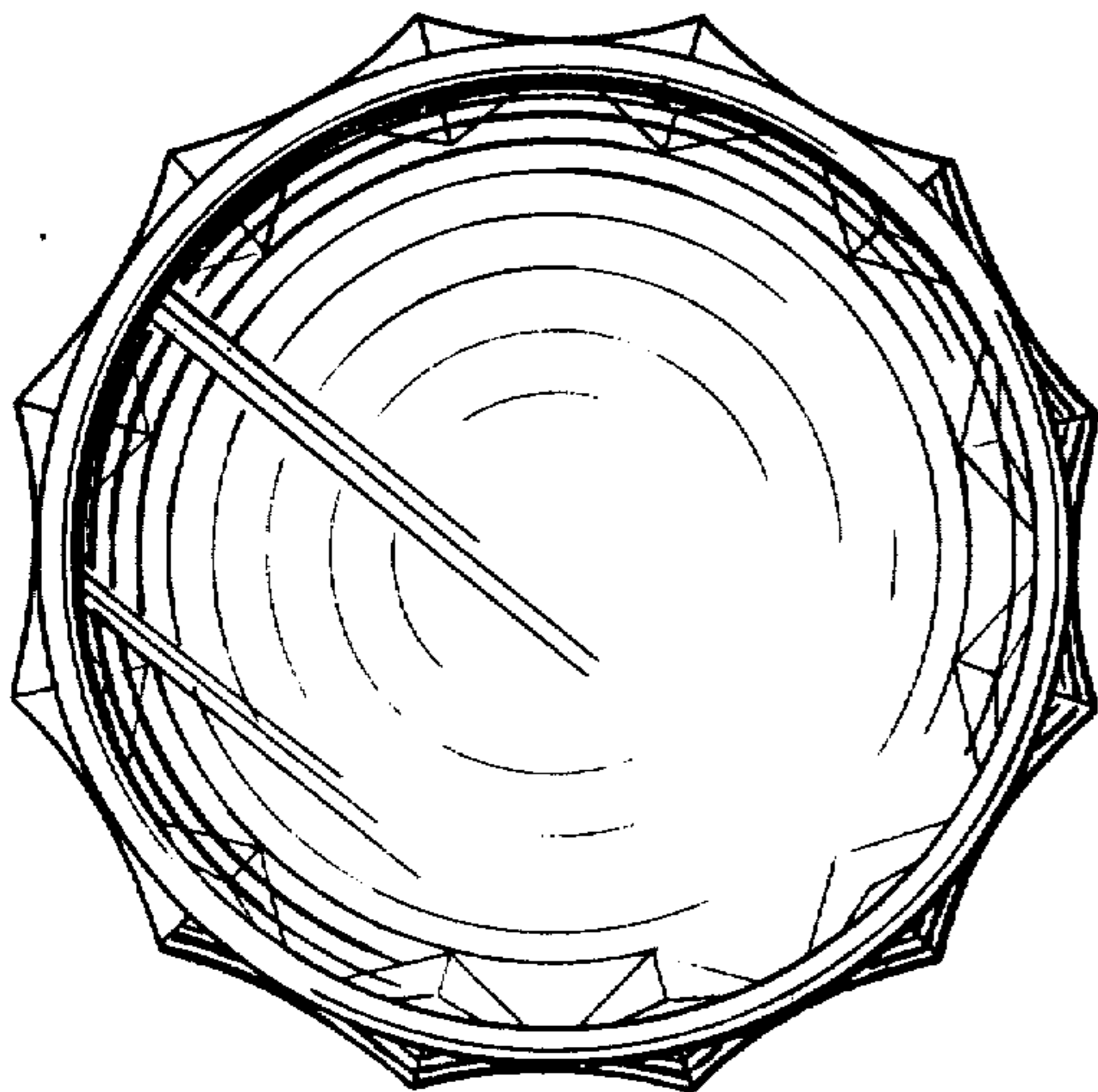
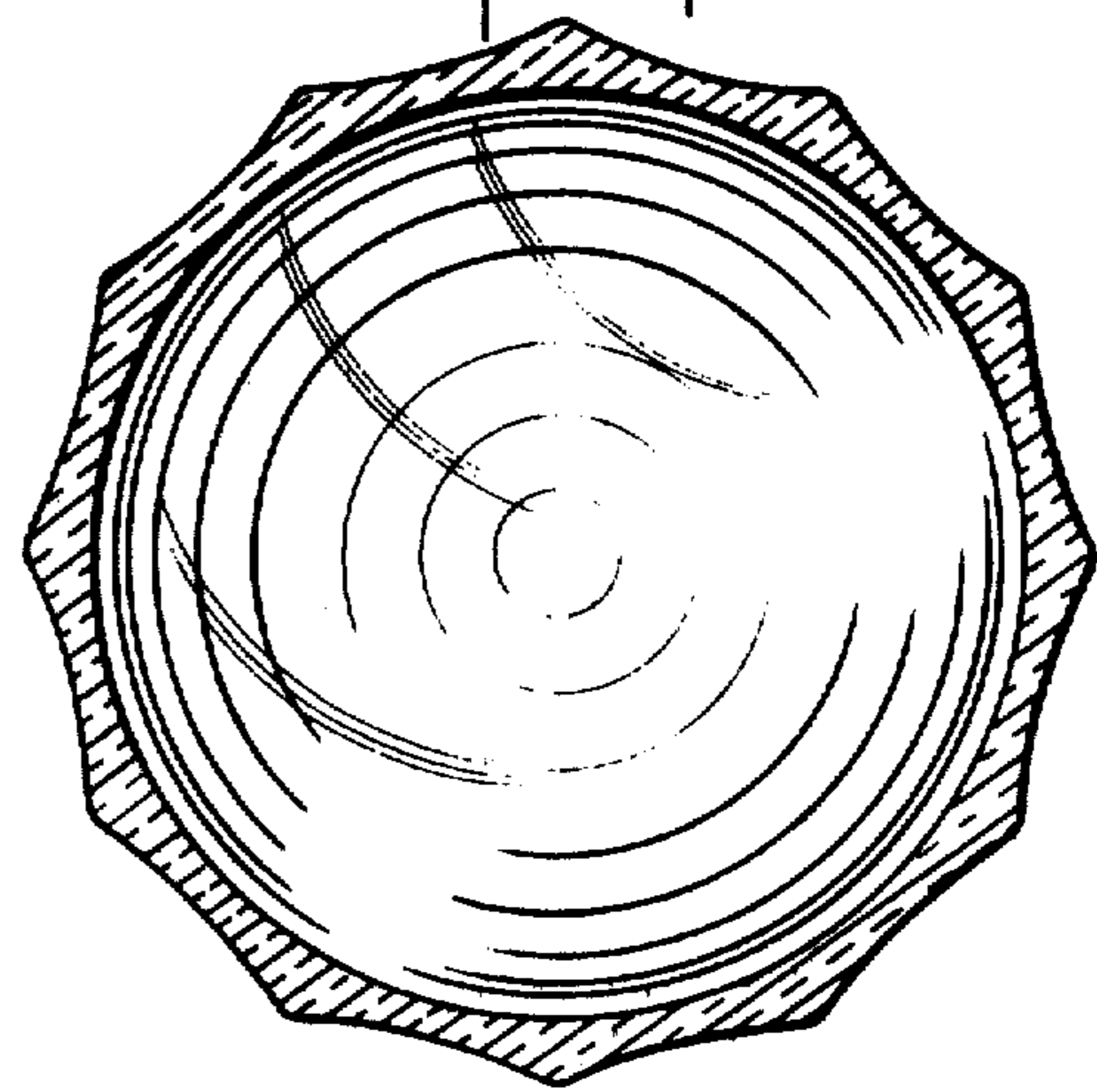


Fig. 6.



Fig. 4.



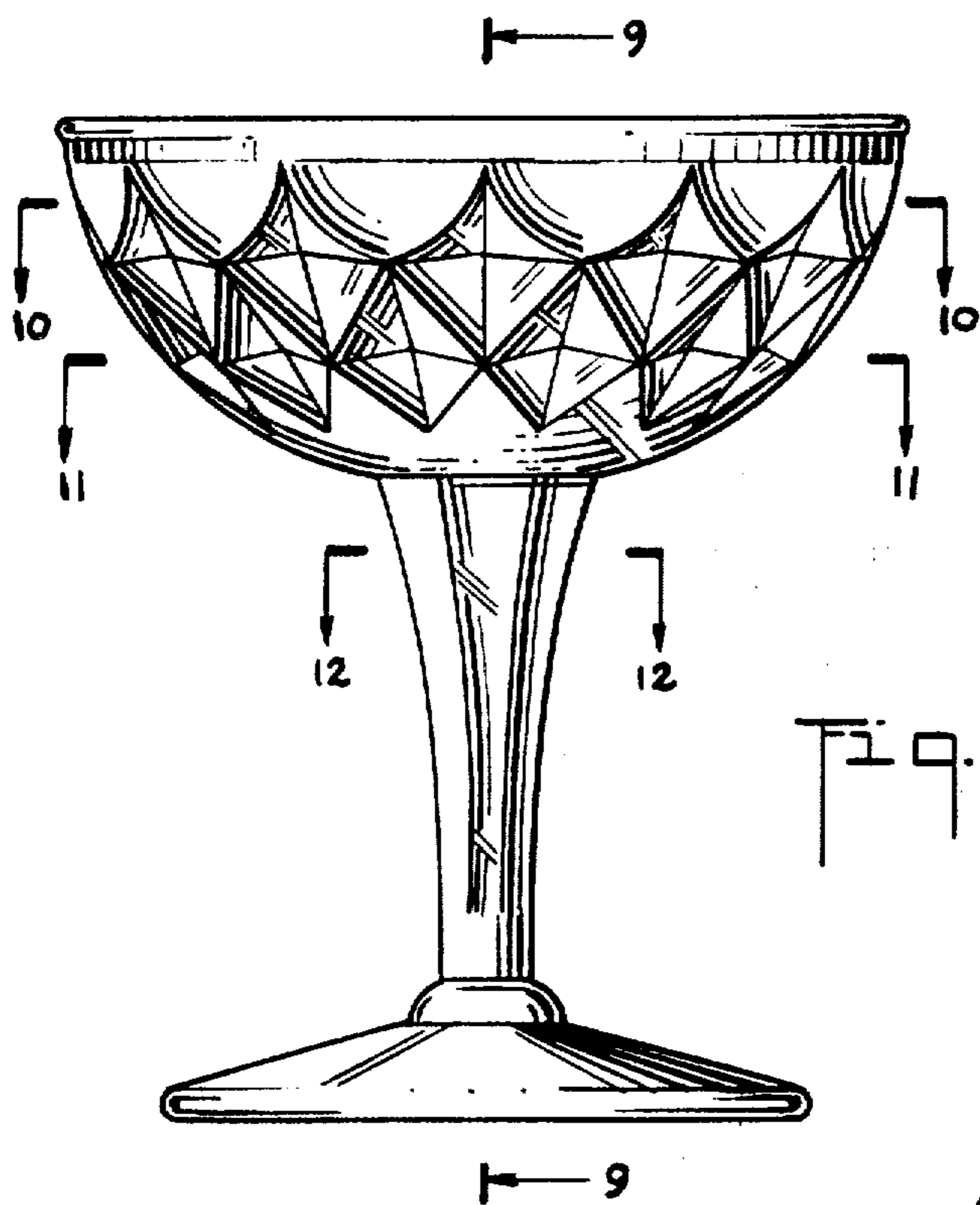


Fig. 7.

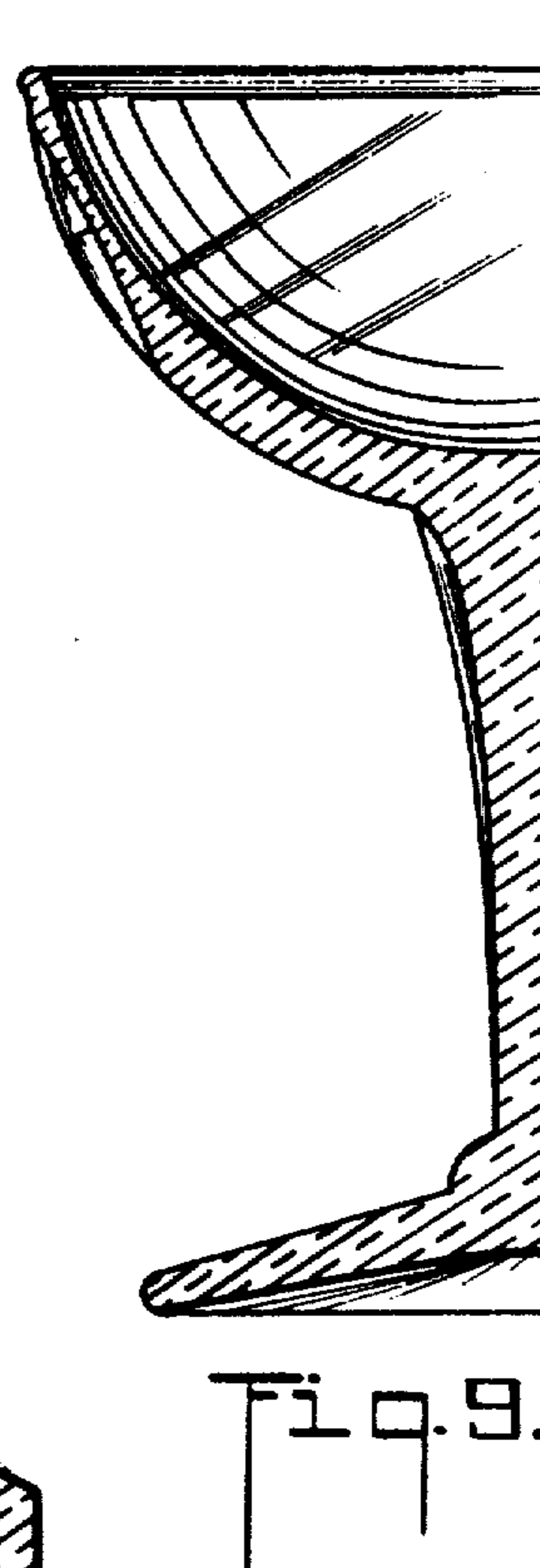


Fig. 9.

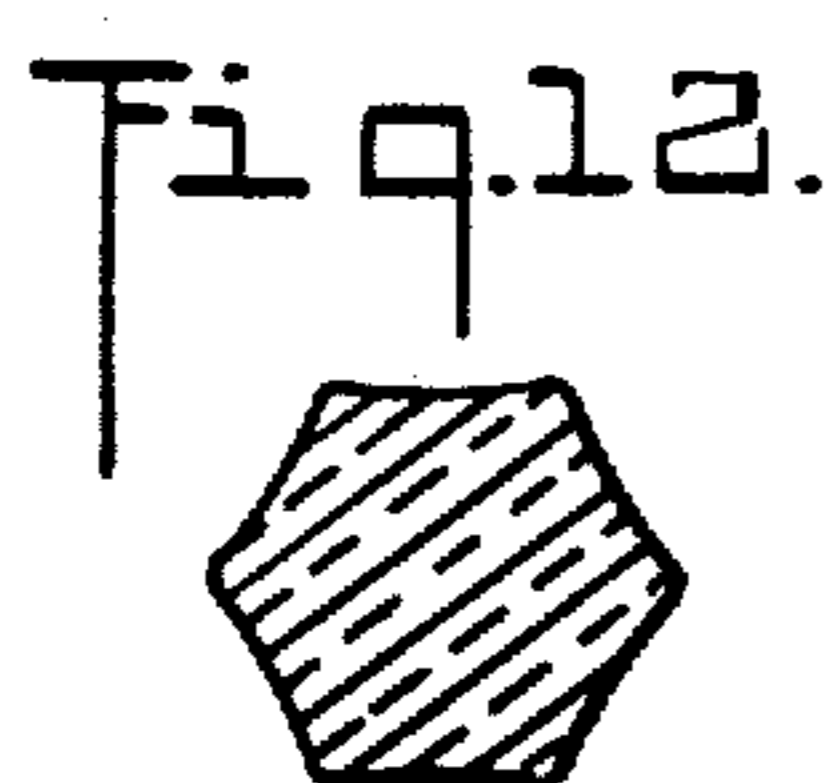


Fig. 12.

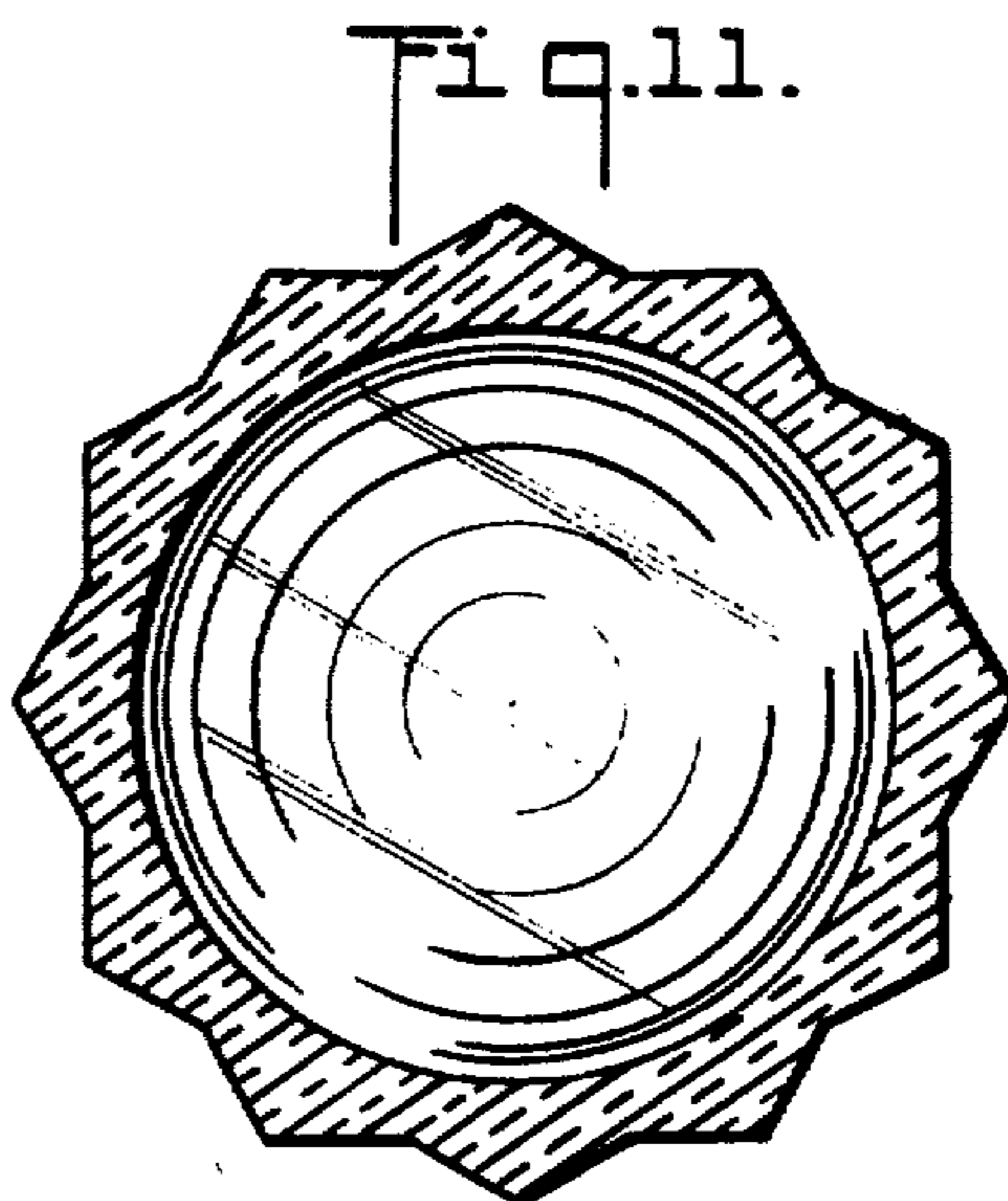


Fig. 11.

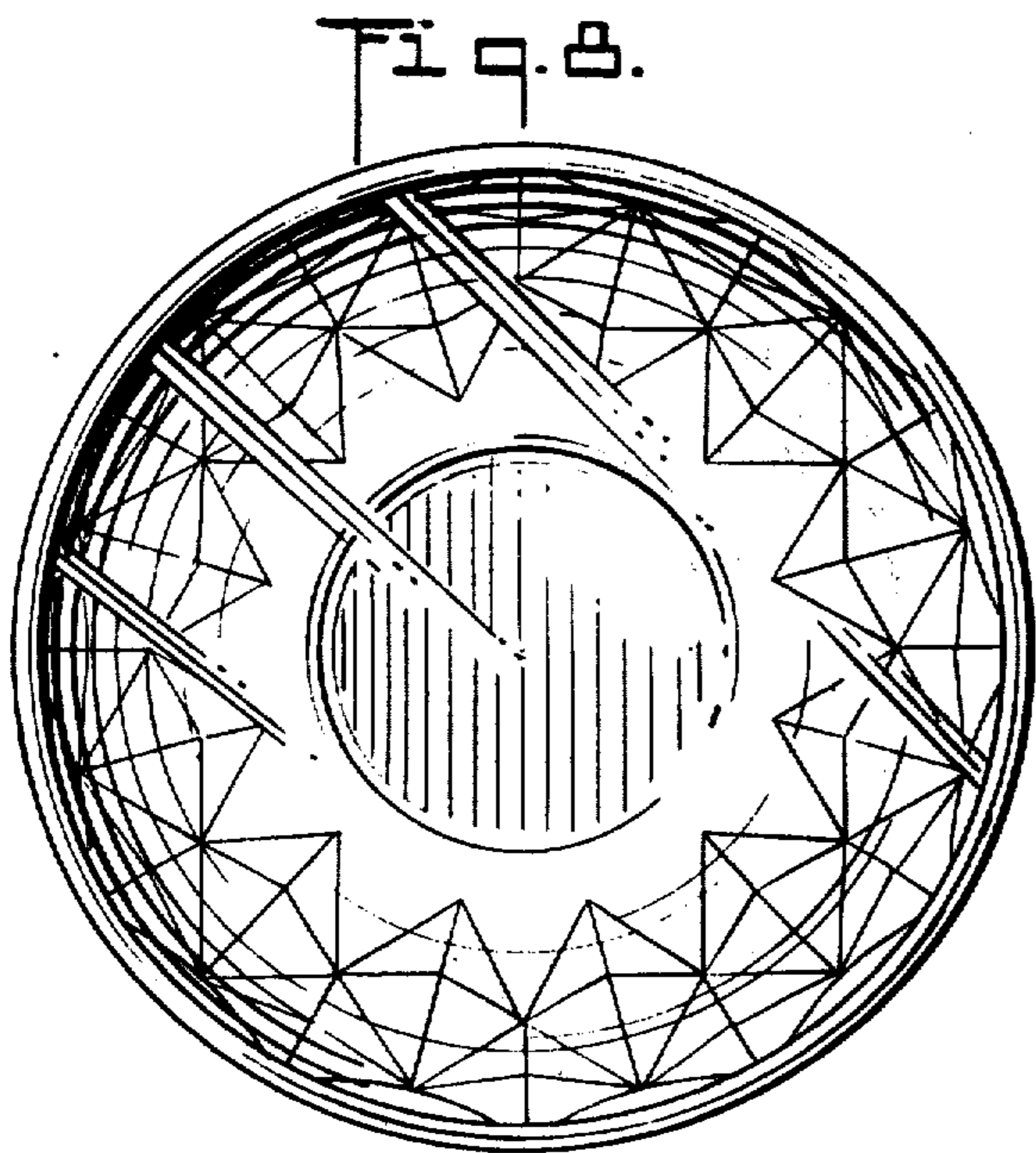


Fig. 8.

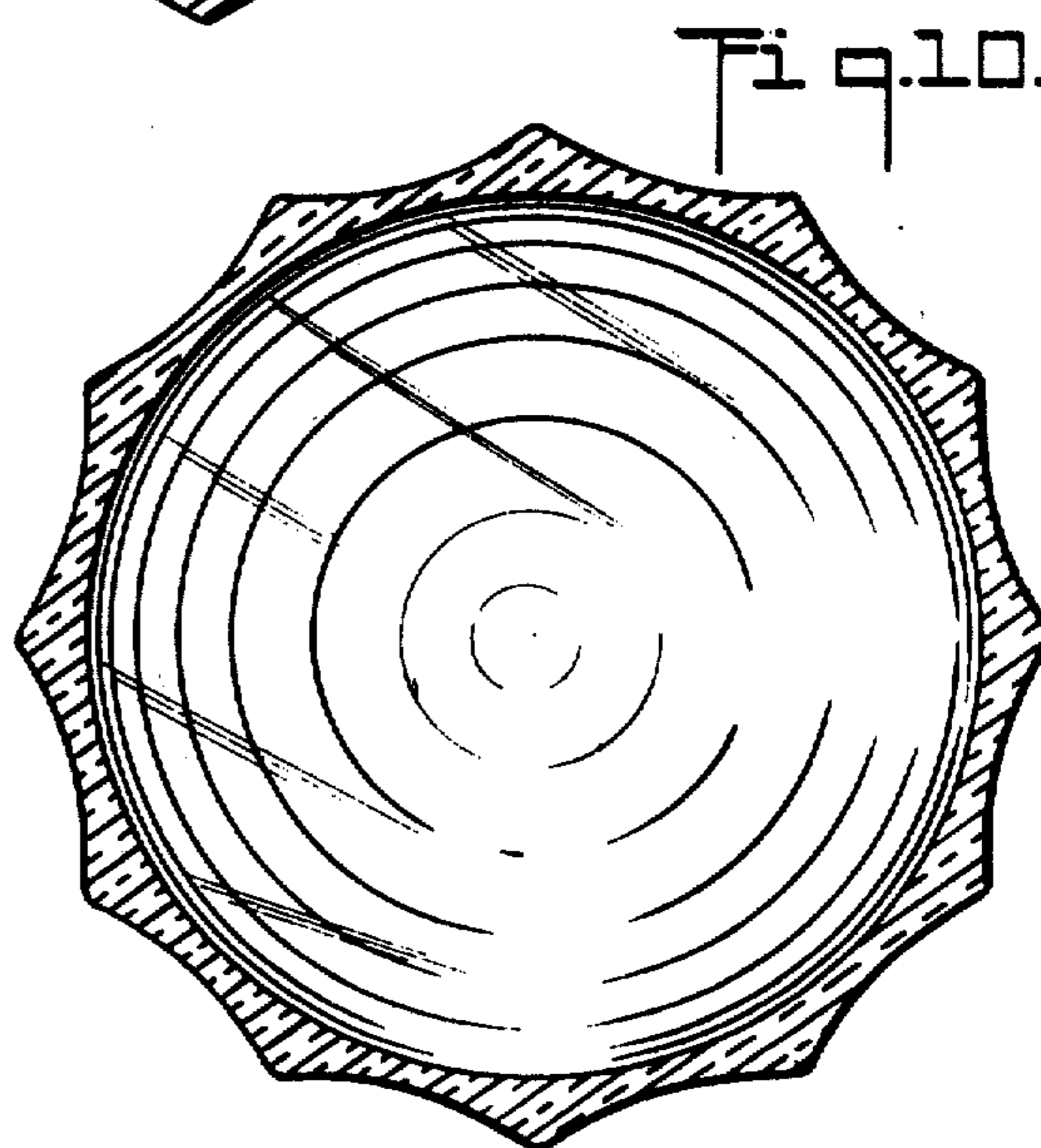


Fig. 10.

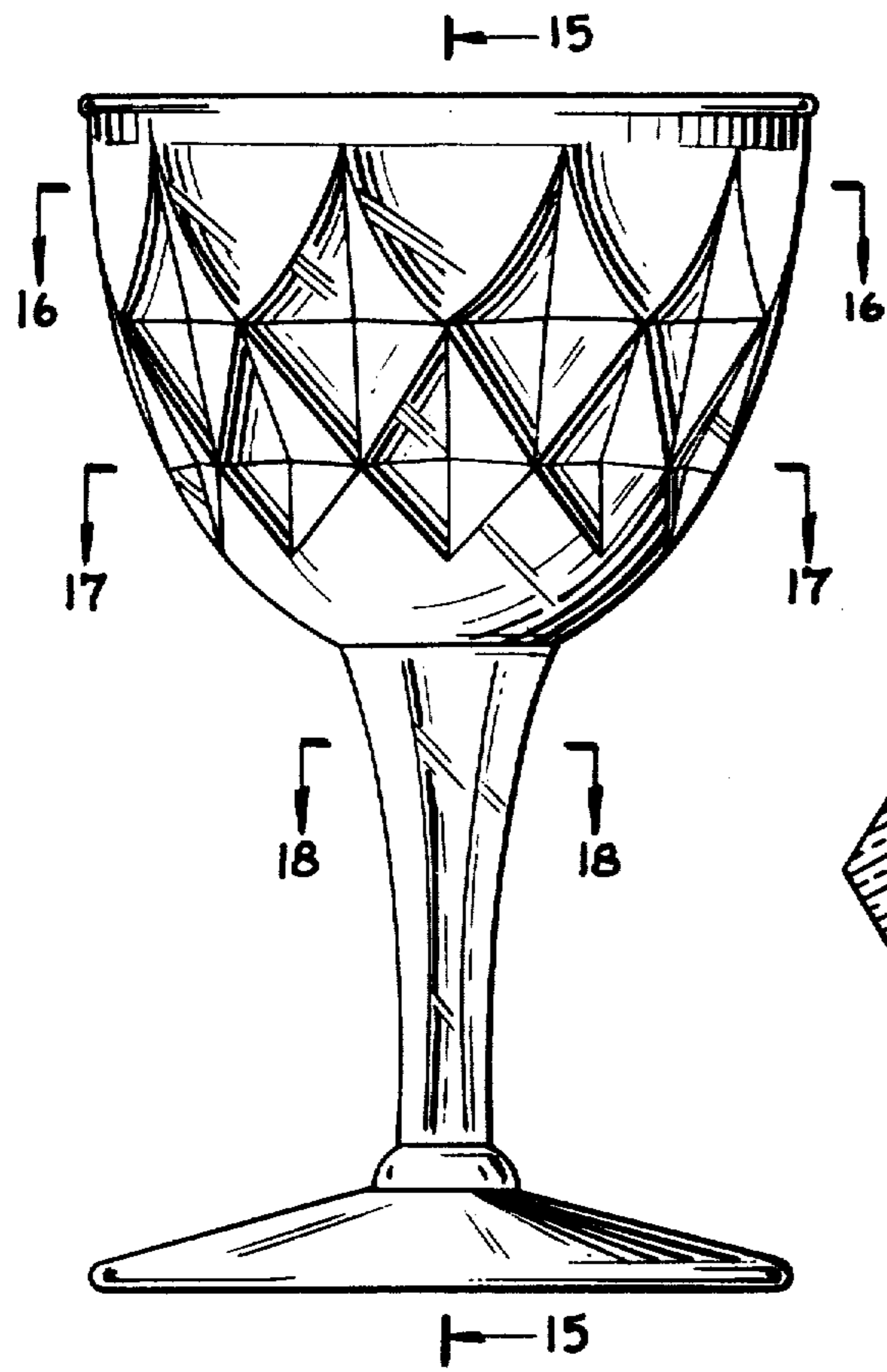


Fig. 13.

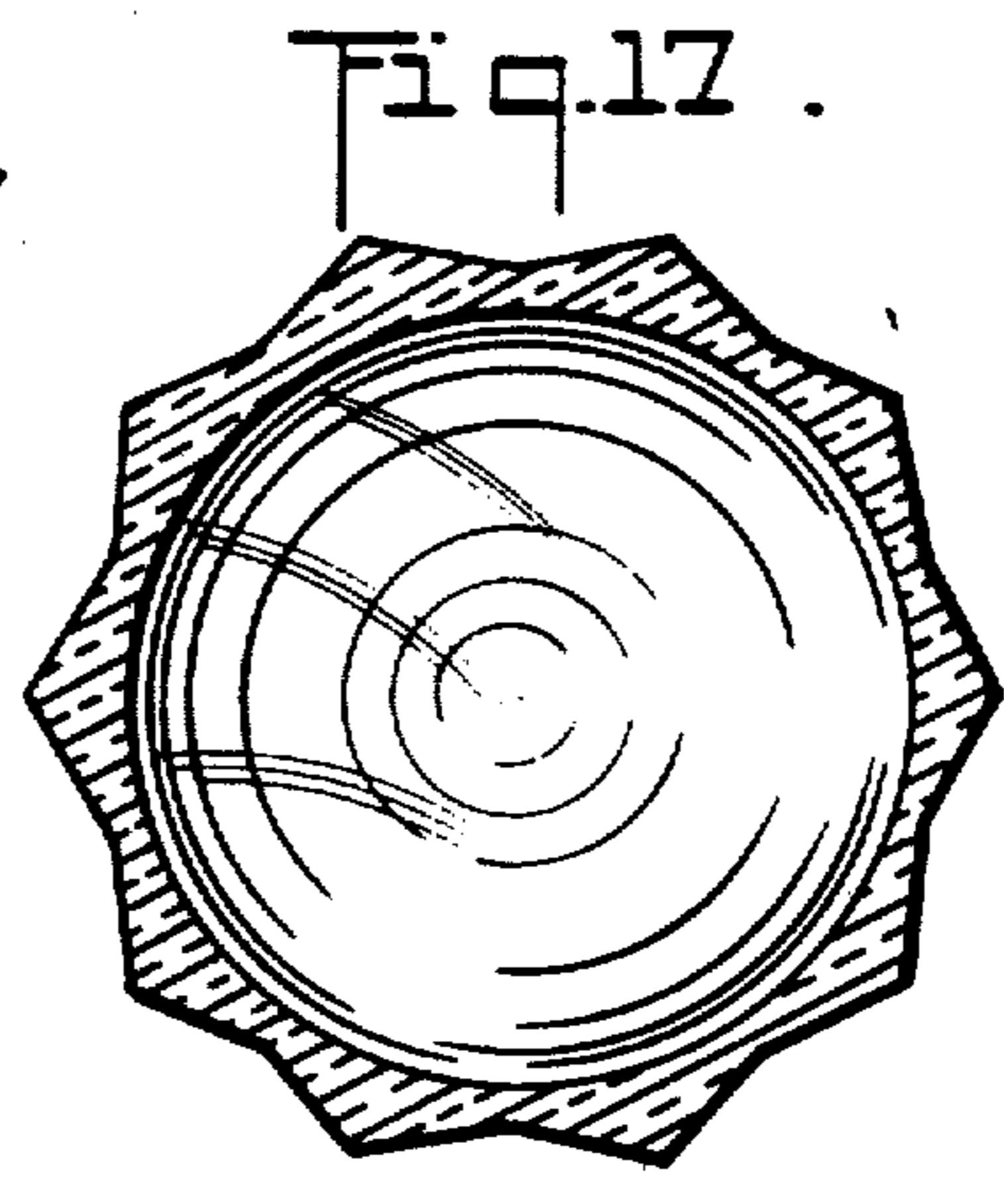


Fig. 17.



Fig. 18.

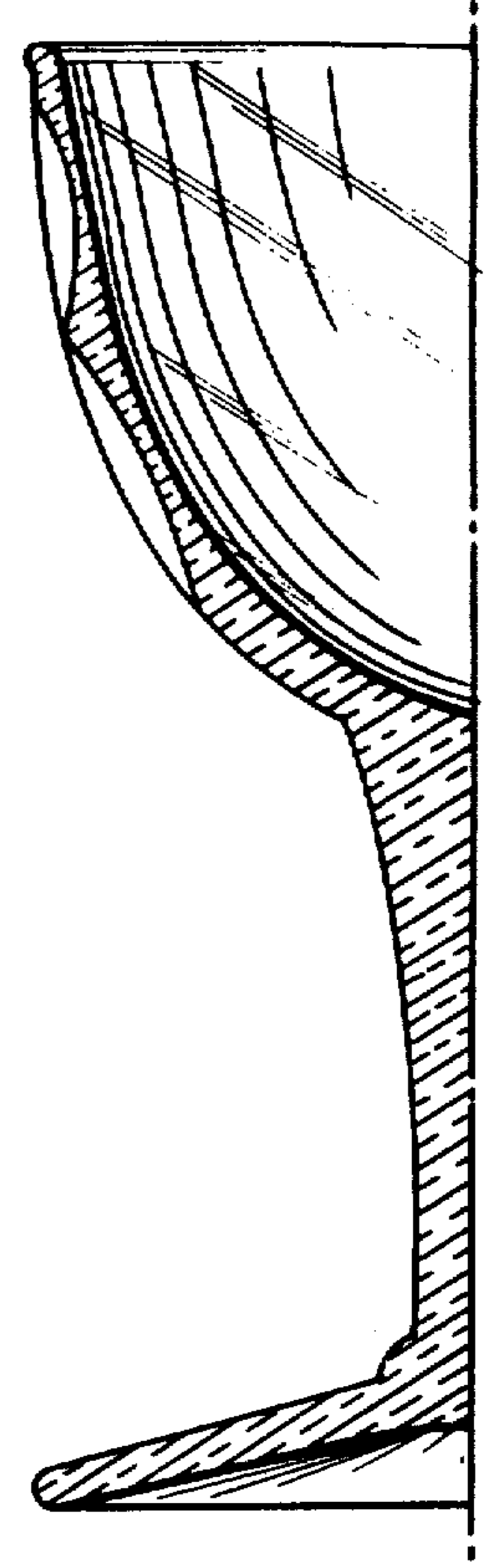


Fig. 15.

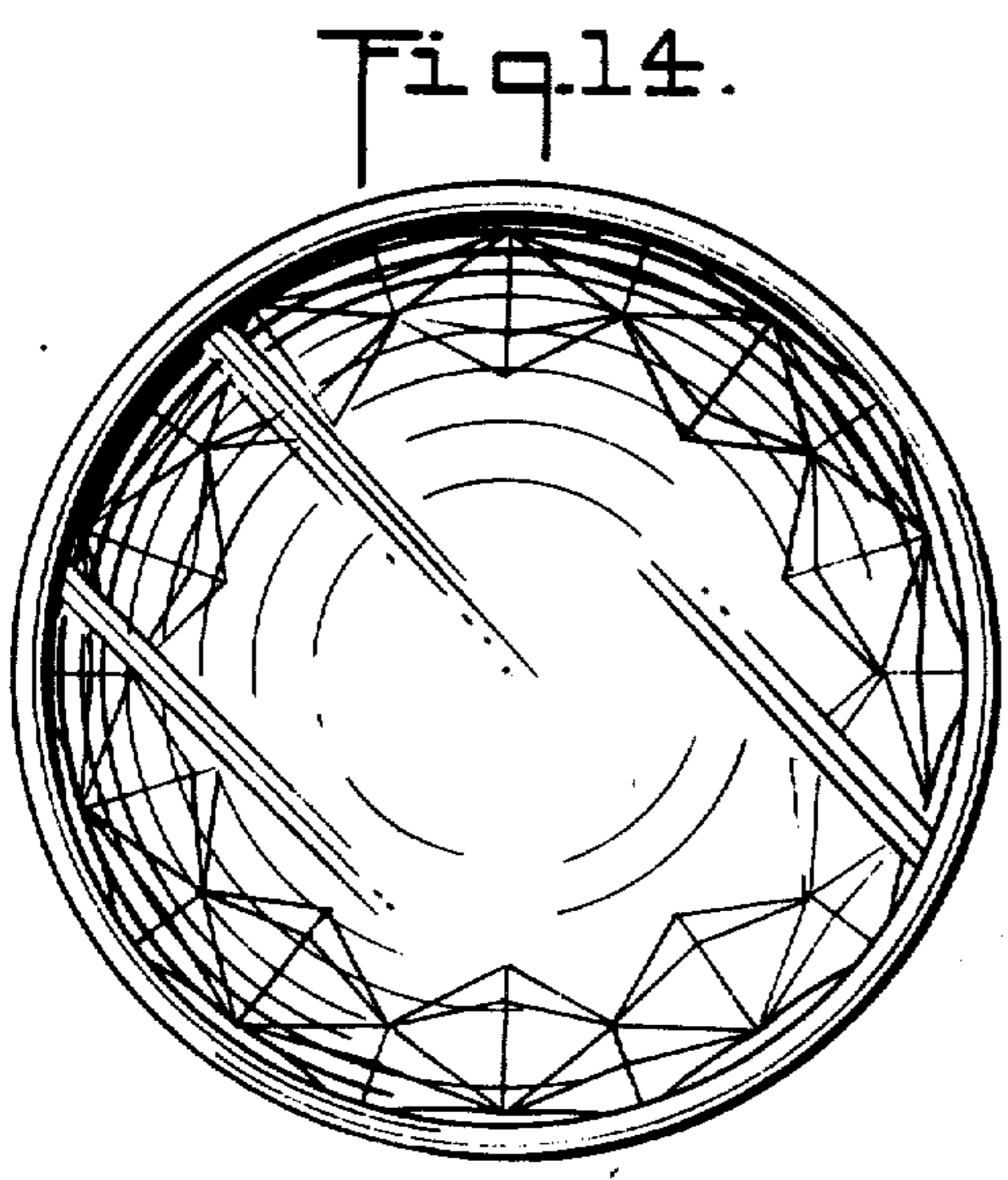


Fig. 14.

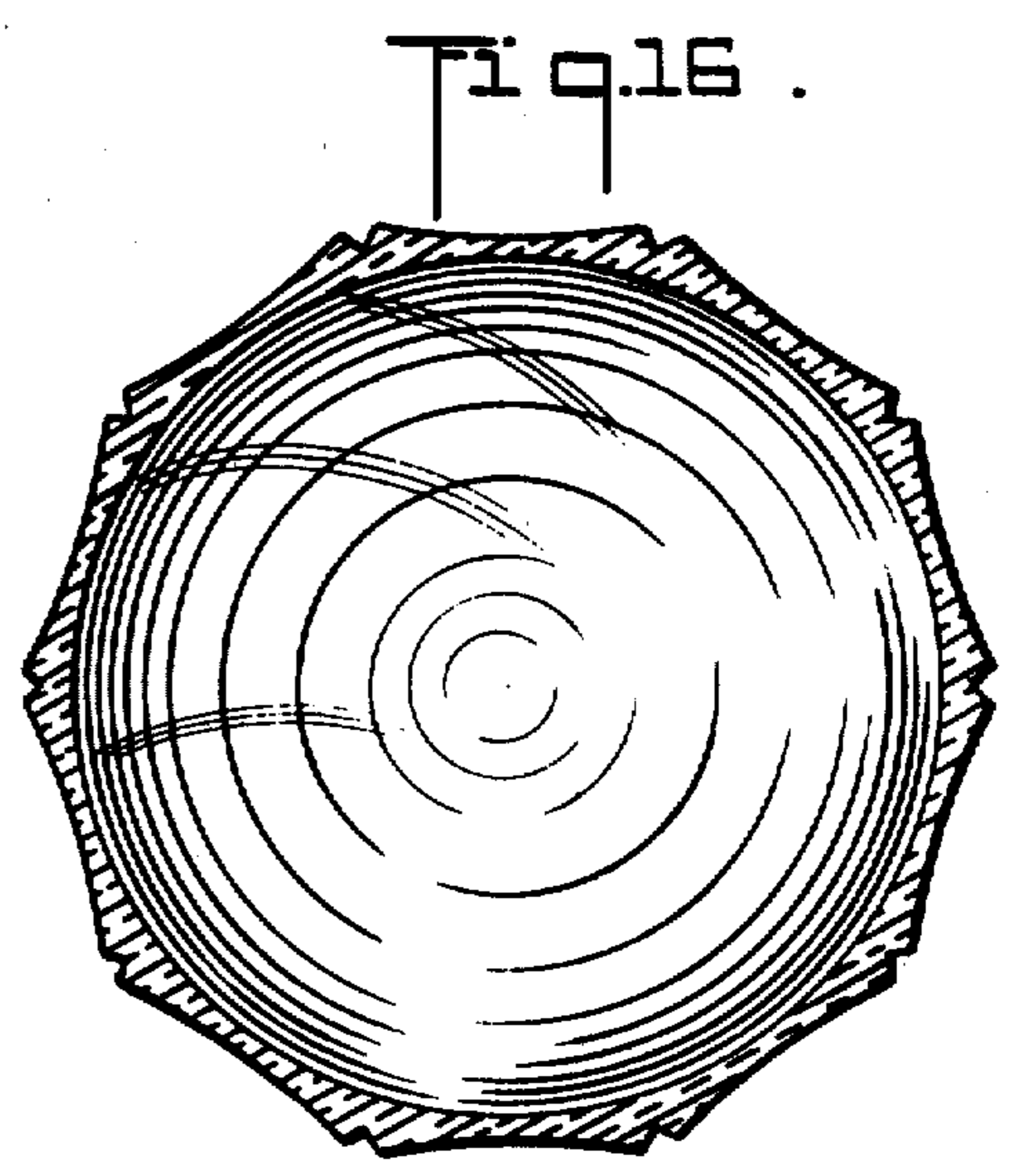


Fig. 16.