

[54] FITTING FOR DRAWER SLIDE ASSEMBLY

[75] Inventors: Kenneth H. Gutner, 3285 Dato, Highland Park, Ill. 60035; Jay S. Waxman, Skokie, Ill.

[73] Assignee: Kenneth H. Gutner, Highland Park, Ill.

[\*\*] Term: 14 Years

[21] Appl. No.: 254,892

[22] Filed: Apr. 16, 1981

[51] Int. Cl. .... D6-99

[52] U.S. Cl. .... D6/191

[58] Field of Search ..... D6/191, 158-173; 312/330, 333, 339, 350

[56] References Cited

U.S. PATENT DOCUMENTS

- D. 261,844 11/1981 Blasnik ..... D6/191
- D. 264,293 5/1982 Litchfield et al. .... D6/191

D. 265,036 6/1982 Litchfield et al. .... D6/191

Primary Examiner—Bruce W. Dunkins  
Attorney, Agent, or Firm—Tilton, Fallon, Lungmus & Chestnut

[57] CLAIM

The ornamental design for fitting for drawer slide assembly, as shown and described.

DESCRIPTION

FIG. 1 is a perspective view of a fitting for a drawer slide assembly showing our design;  
 FIG. 2 is a perspective view showing the end not disclosed in FIG. 1;  
 FIG. 3 is a top plan view;  
 FIG. 4 is a side elevational view; and  
 FIG. 5 is an end elevational view looking in the direction of the arrows shown in FIG. 1.  
 The side of the fitting not shown is a mirror image of the side shown in FIG. 4.  
 The dot-dash lines depicting a drawer slide fragment in FIG. 1 are for illustrative purposes only.

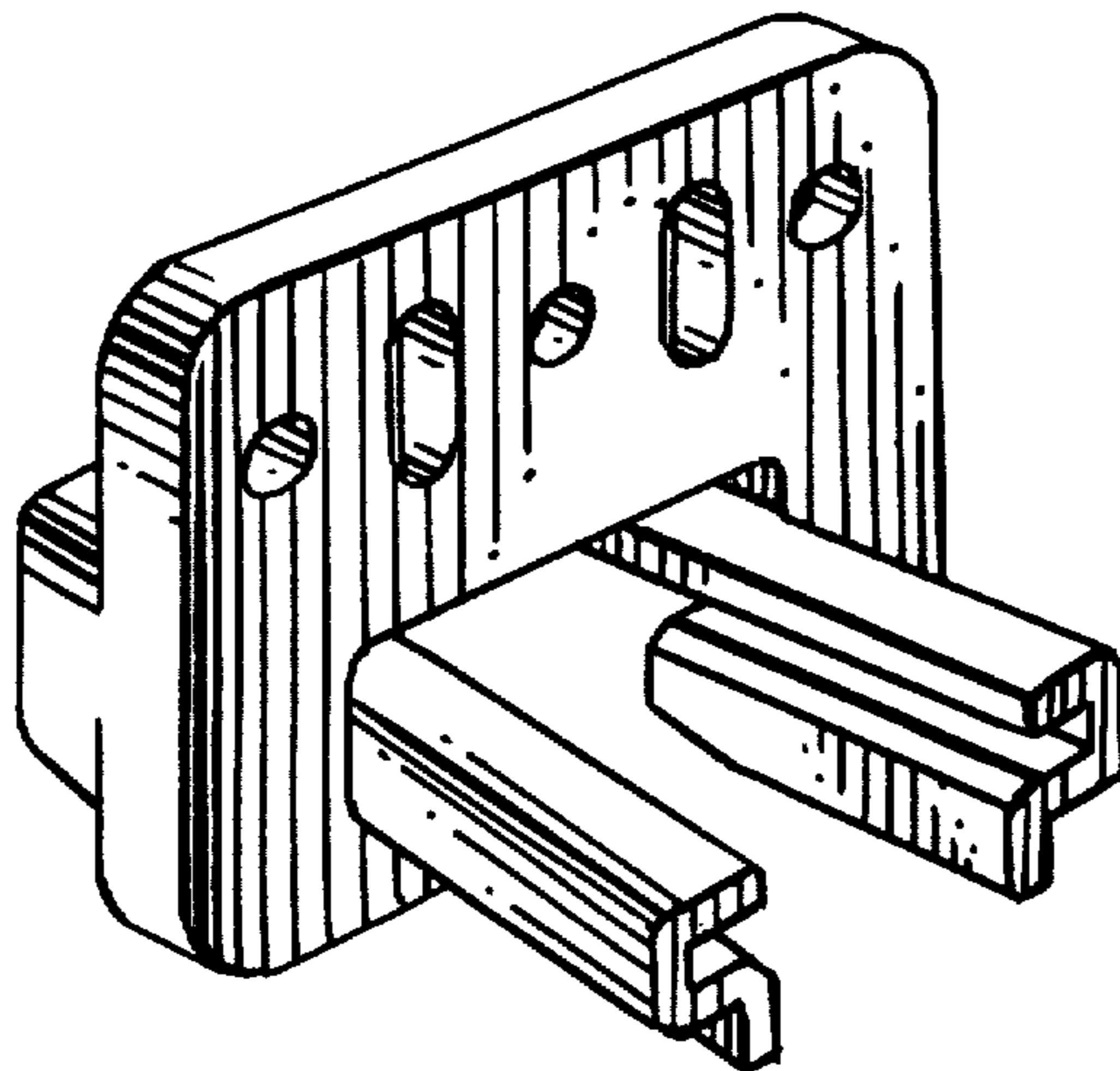


FIG. 1

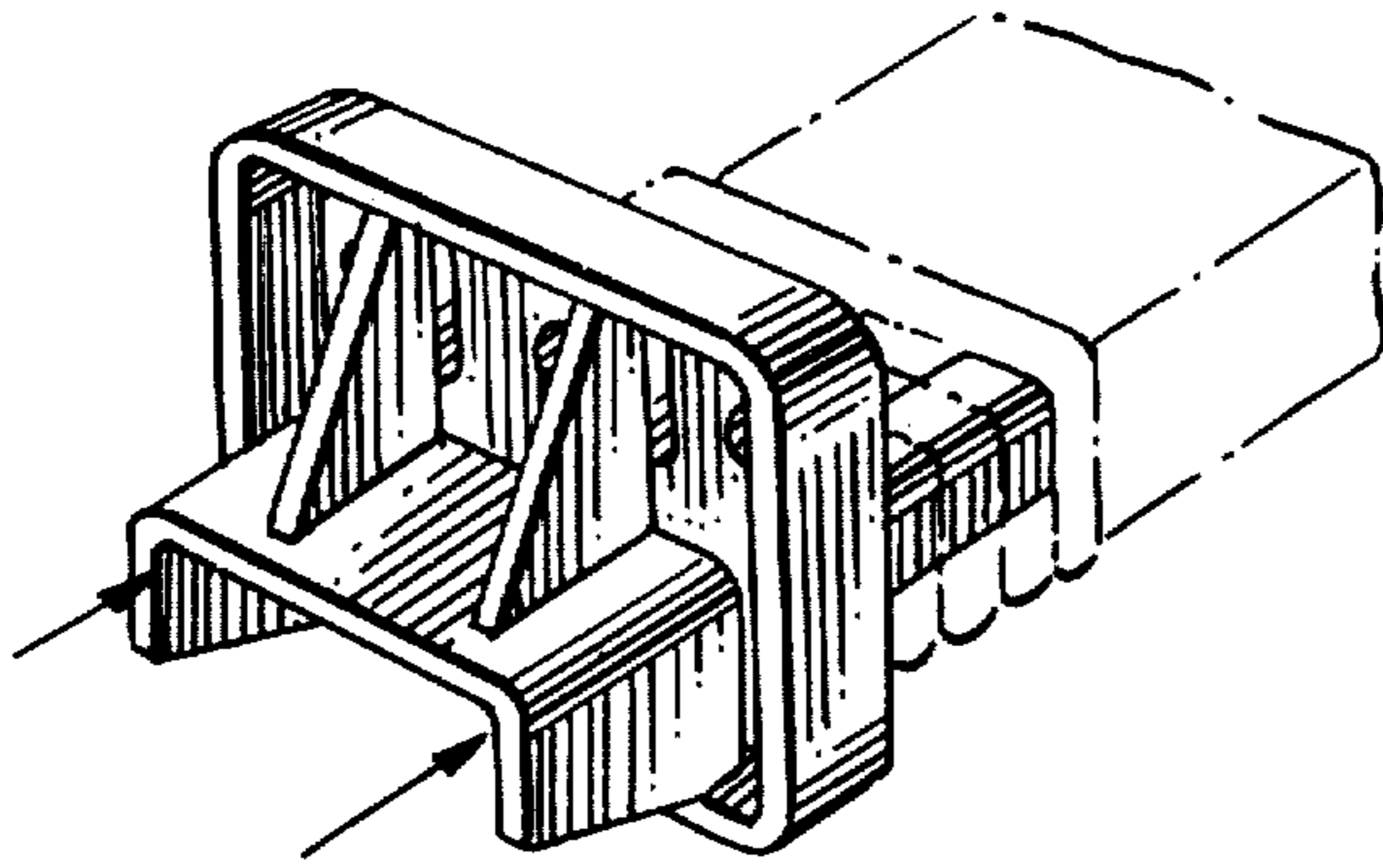


FIG. 2

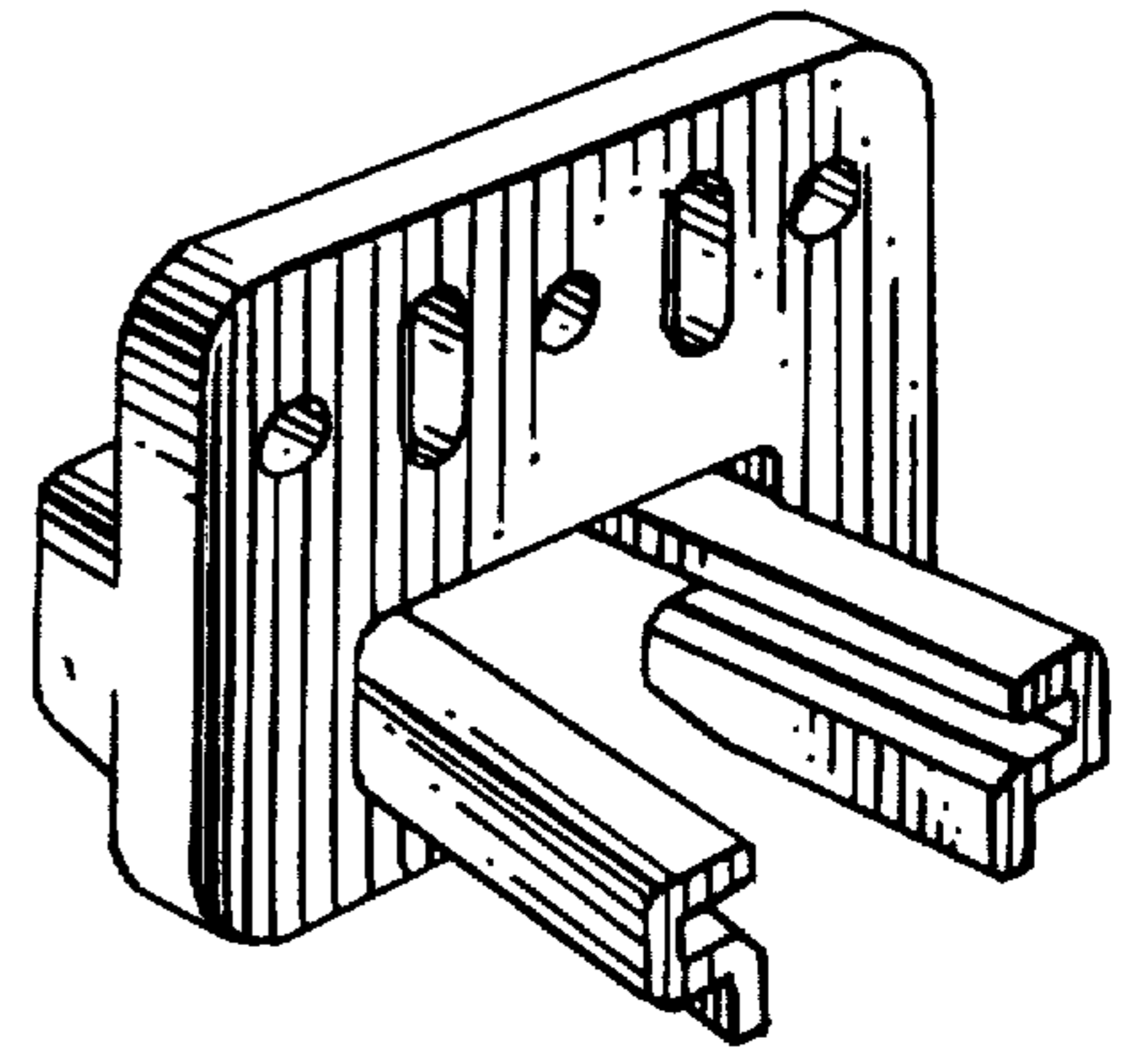


FIG. 3

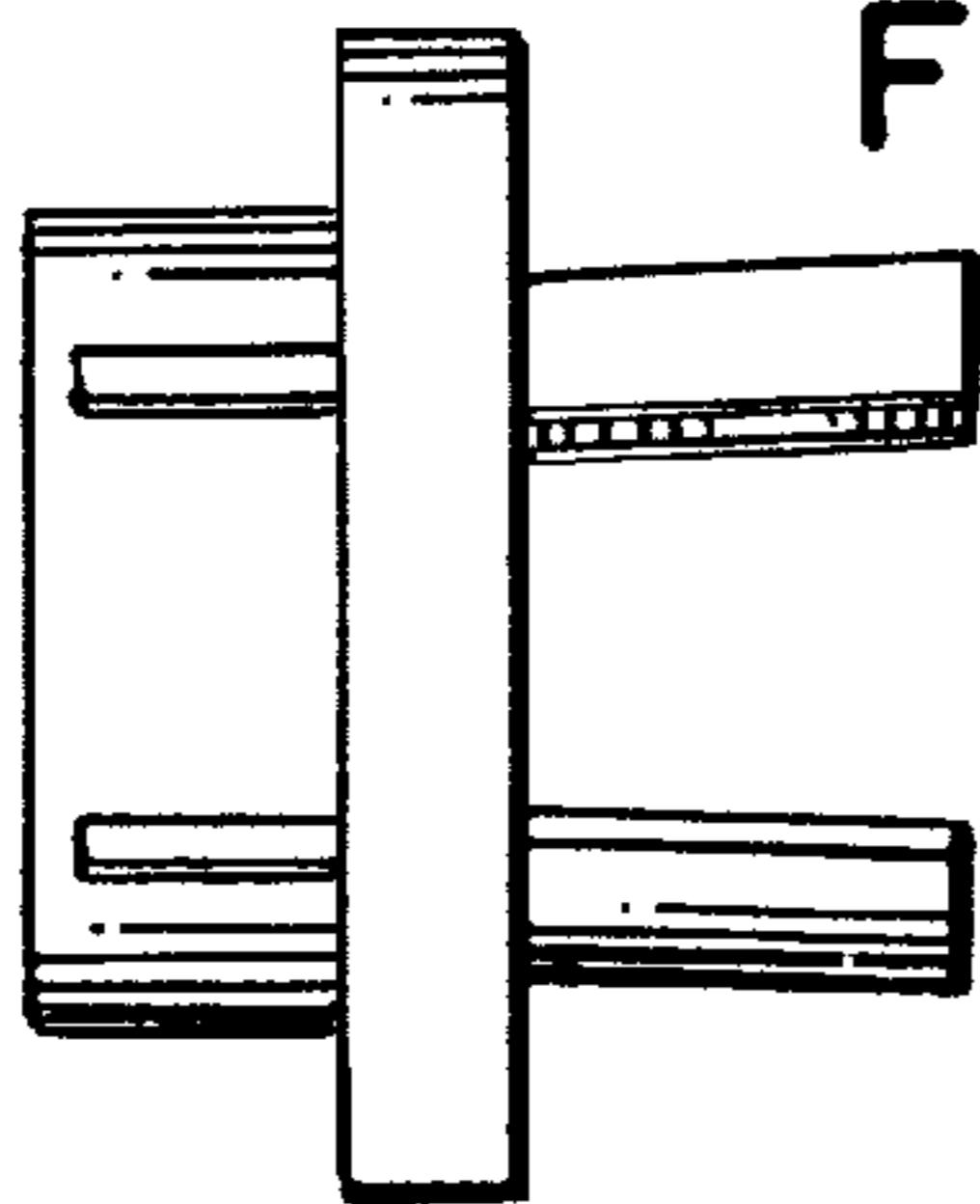


FIG. 4

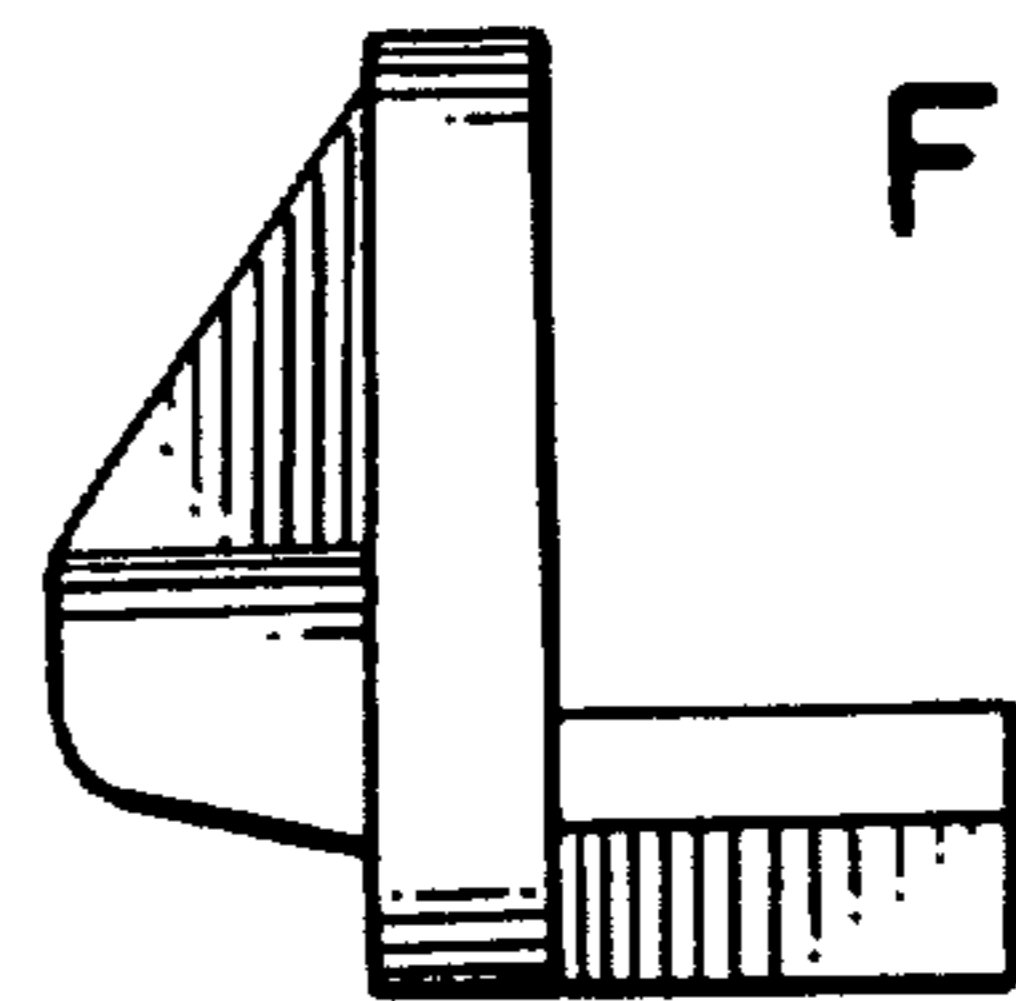


FIG. 5

