

[54] TABLE

[76] Inventor: Kaloust P. Sogoian, 21820 W. 8 Mile, Southfield, Mich. 48075

[\*\*] Term: 14 Years

[21] Appl. No.: 280,410

[22] Filed: Jul. 6, 1981

[51] Int. Cl. .... D6-03

[52] U.S. Cl. .... D6/175

[58] Field of Search ..... D6/27, 146-149, D6/175, 177, 178, 179, 181, 186

[56] References Cited

U.S. PATENT DOCUMENTS

3,062,571 11/1962 Jay ..... D6/177 X  
3,910,206 10/1975 Goldman ..... D6/175 X

OTHER PUBLICATIONS

Interiors, Oct. 1973, p. 20, table lower left by Sayegh. Domus Catalog, Nov. 1975, p. 36, table bottom right.

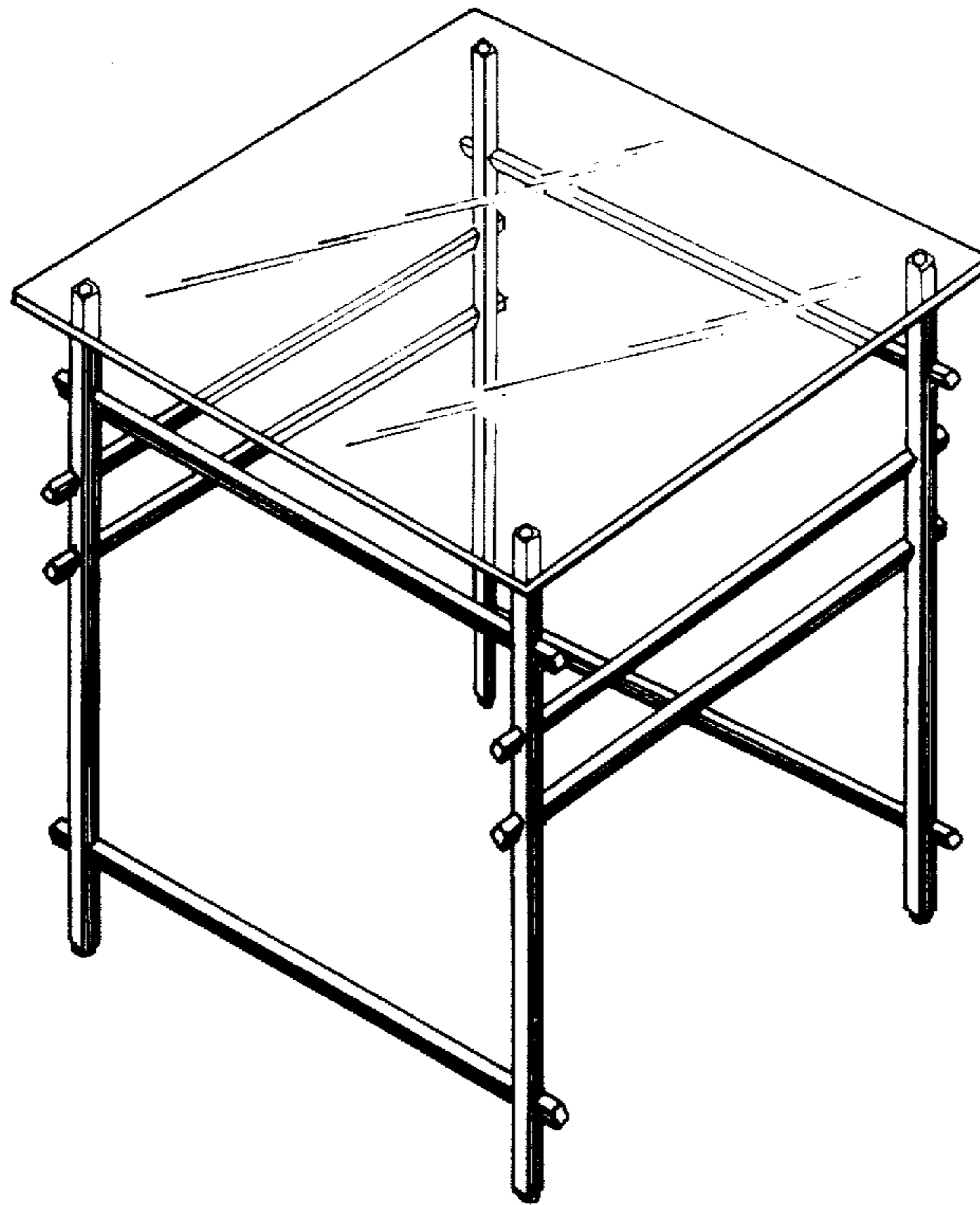
Primary Examiner—Bruce W. Dunkins  
Attorney, Agent, or Firm—Krass, Young & Schivley

[57] CLAIM

The ornamental design for a table, as shown and described.

DESCRIPTION

FIG. 1 is a perspective view of a table embodying my inventive design;  
FIG. 2 is a side view of the table of FIG. 1;  
FIG. 3 is a front view of the table of FIG. 1;  
FIG. 4 is a top view of the table of FIG. 1;  
FIG. 5 is a bottom view of the table of FIG. 1; and  
FIG. 6 is a perspective view of an alternative embodiment of the table of FIG. 1.



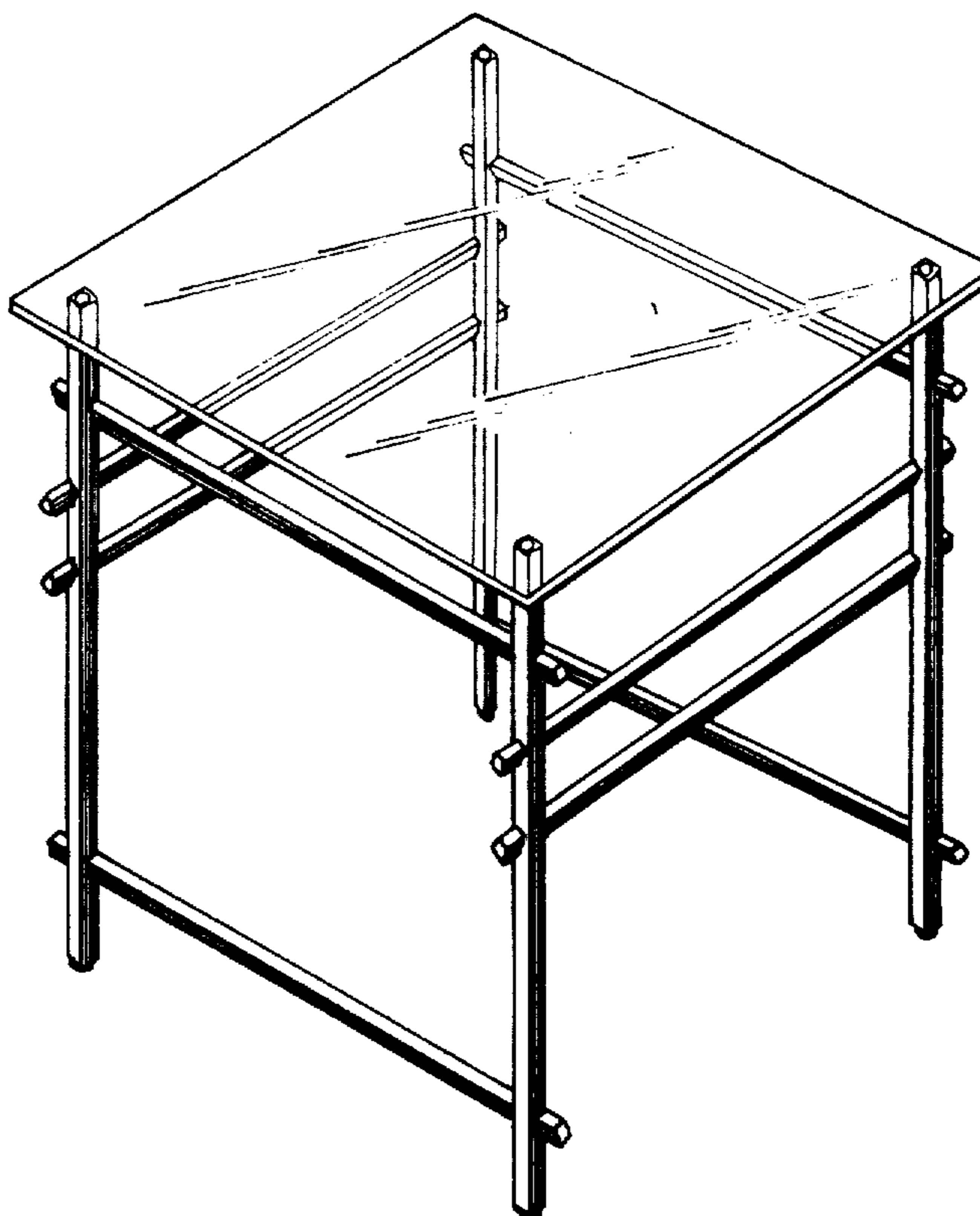


Fig 1

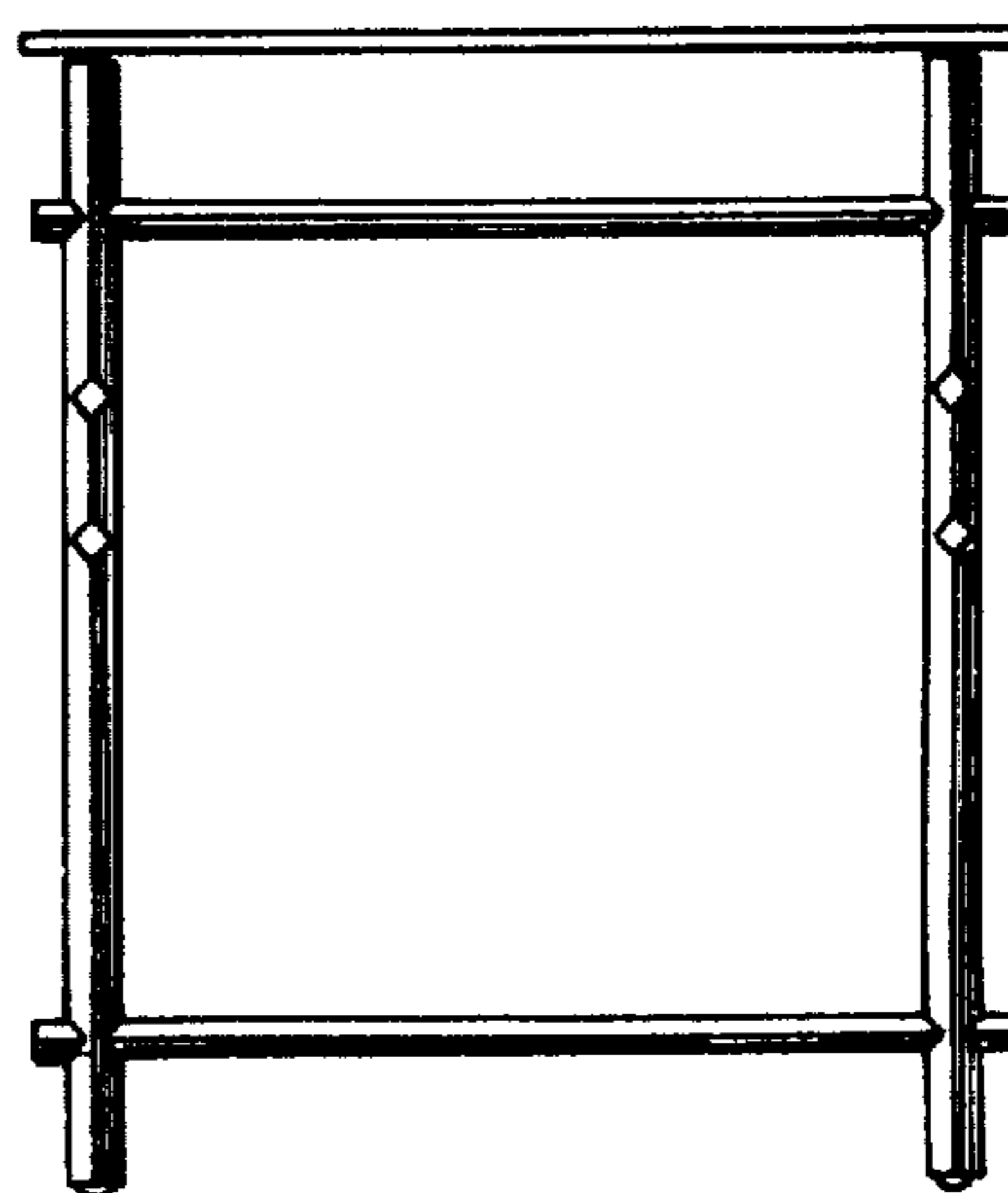


Fig 2

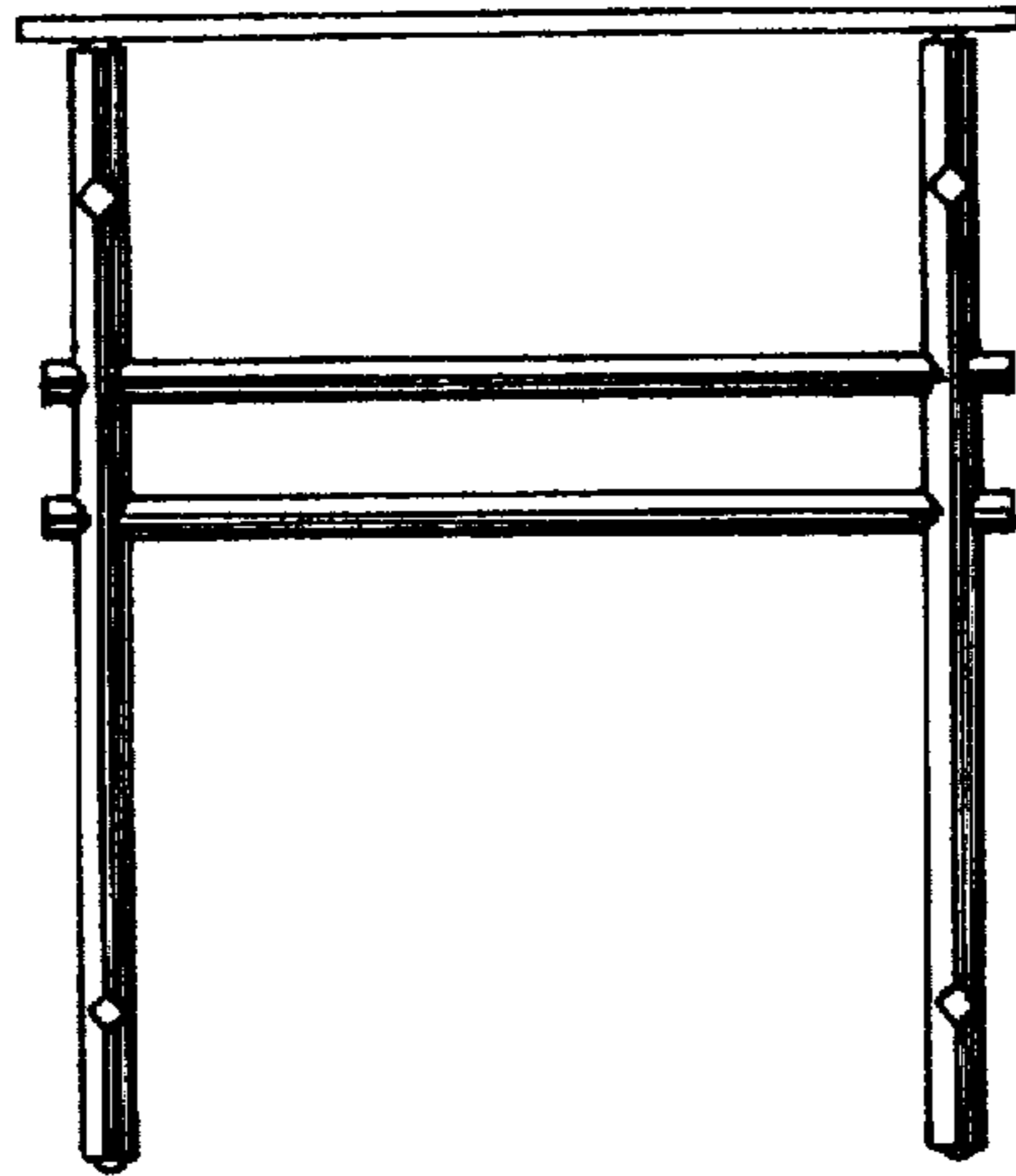


Fig-3

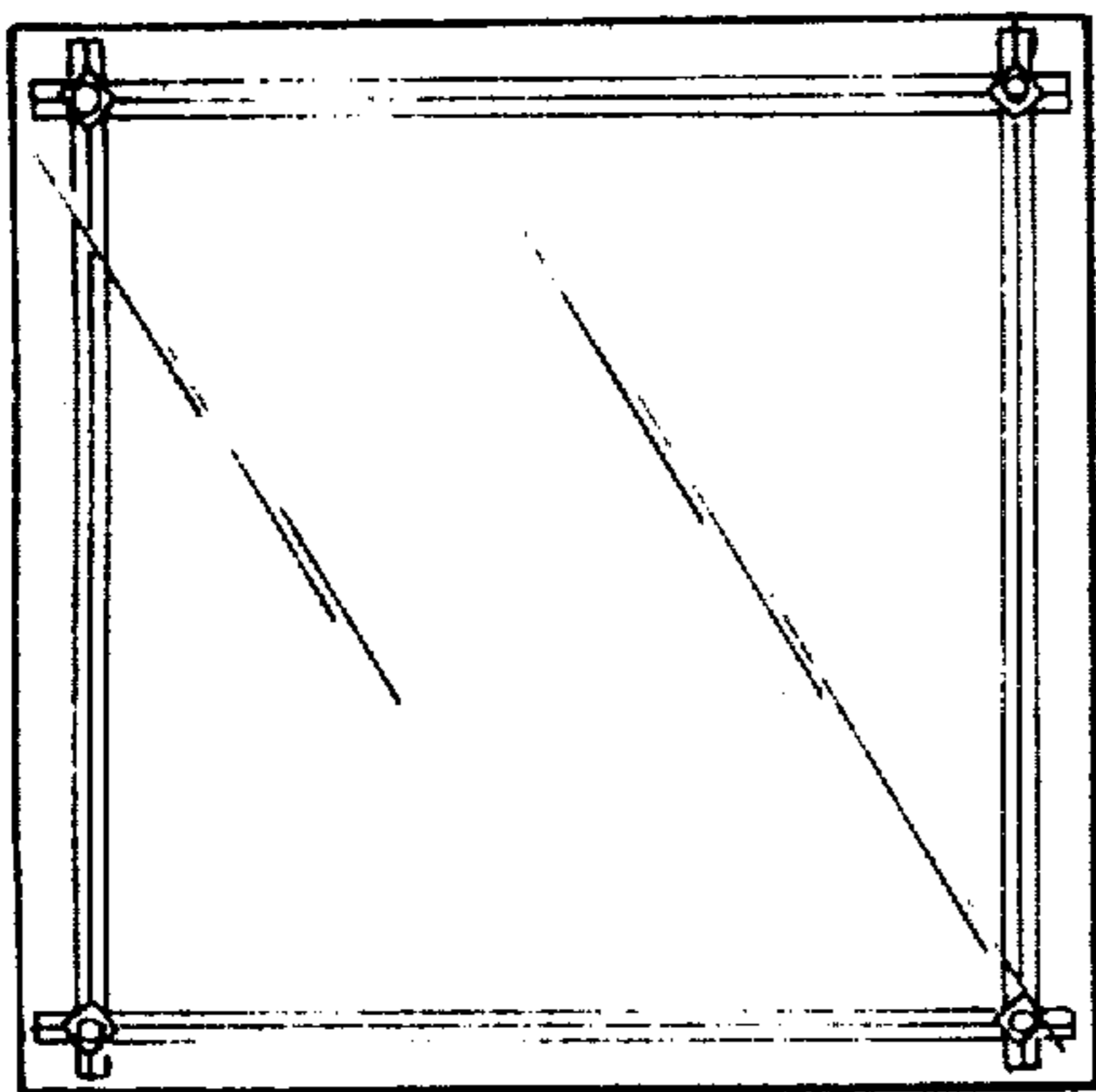


Fig-4

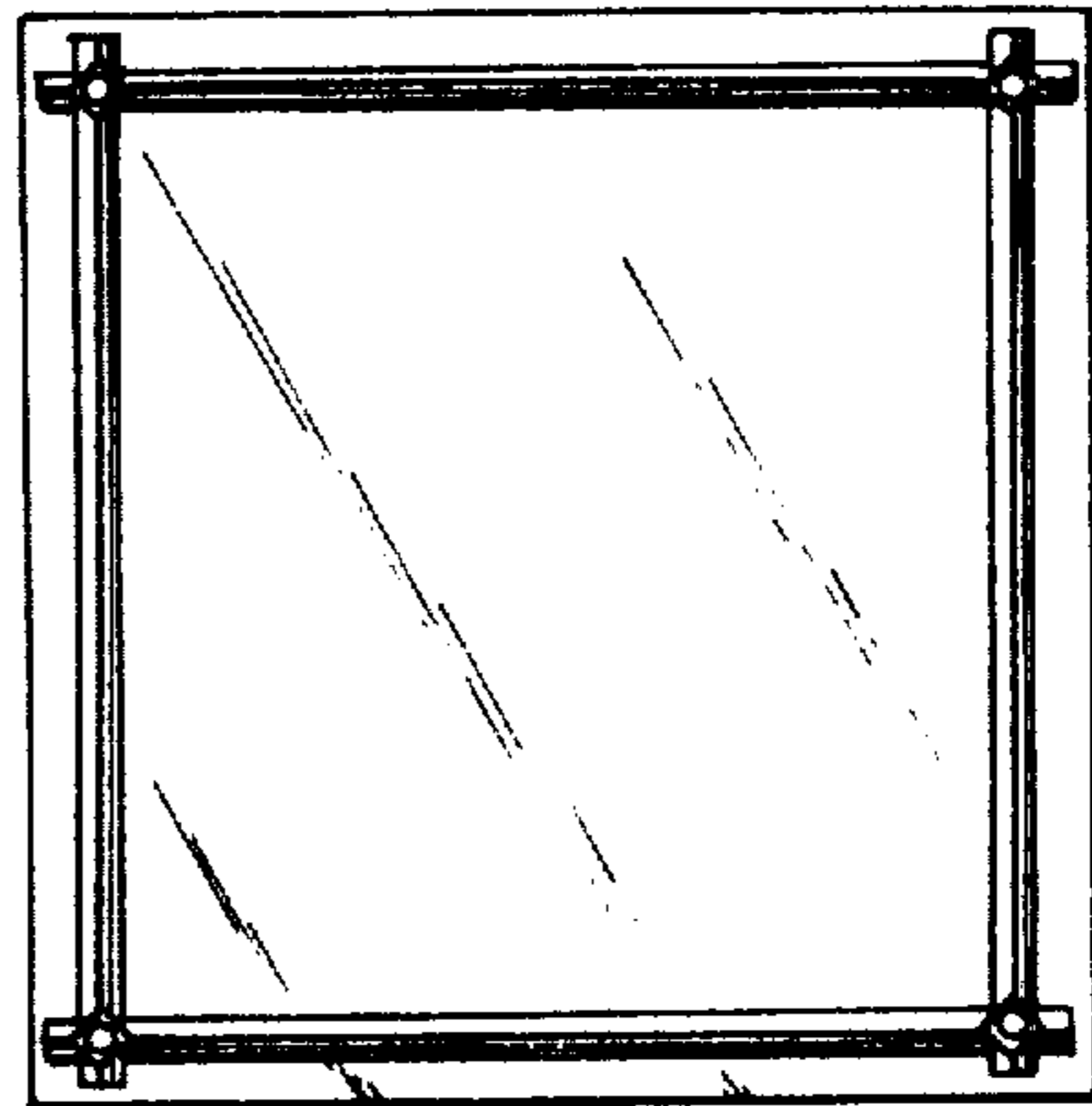


Fig-5

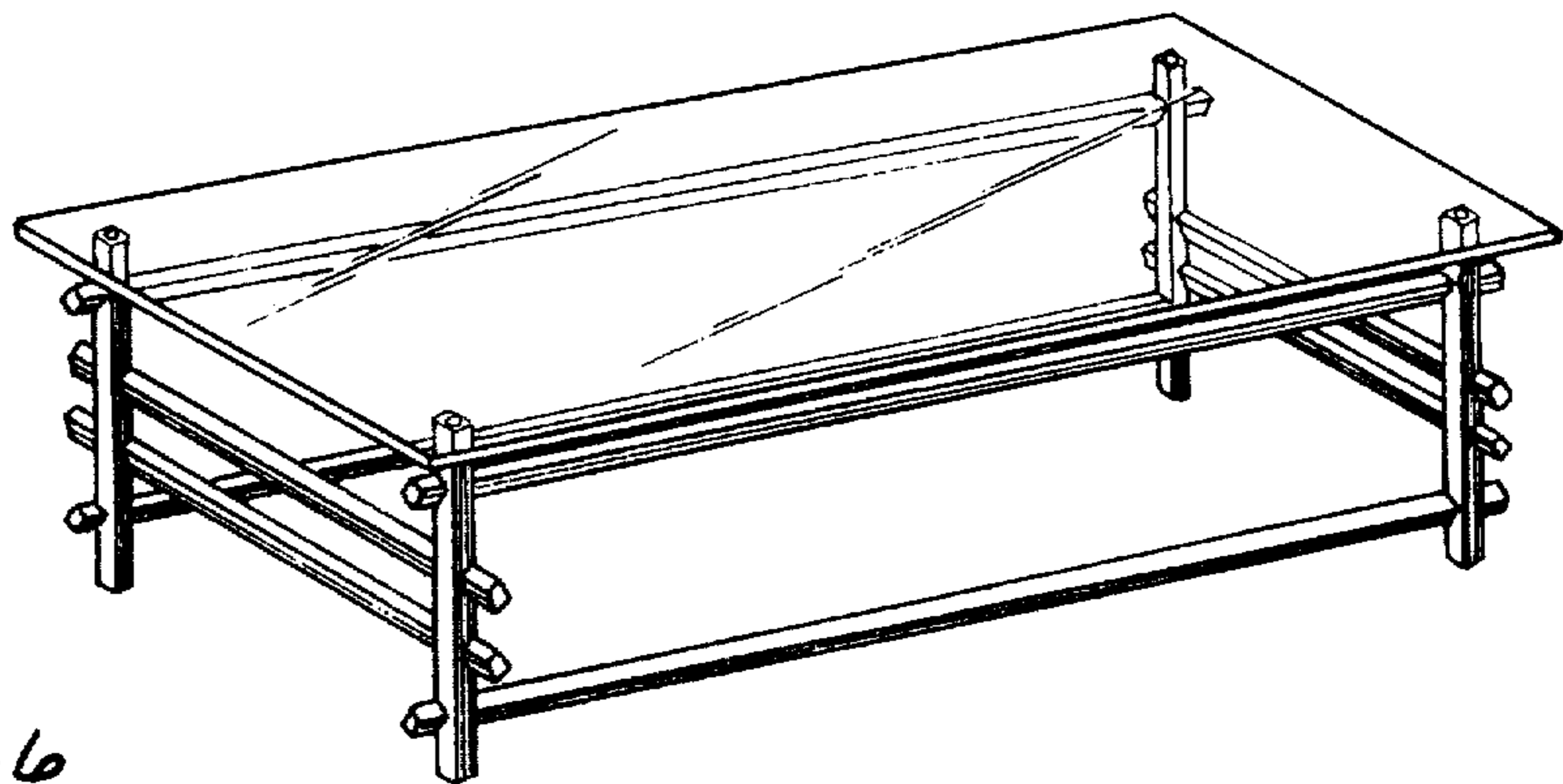


Fig-6