

[54] SOFA

[75] Inventor: Jan H. Matthias, Monaco, Monaco

[73] Assignee: Casa Bella Imports, Inc., Miami, Fla.

[**] Term: 14 Years

[21] Appl. No.: 293,399

[22] Filed: Aug. 17, 1981

[51] Int. Cl. D6-01

[52] U.S. Cl. D6/61

[58] Field of Search D6/47-71;
297/232, 233, 248, 440

[56]

References Cited

U.S. PATENT DOCUMENTS

D. 219,143	11/1970	Chapin	D6/46
D. 256,297	8/1980	Gera et al.	D6/46
D. 257,455	10/1980	Brooks	D6/63
4,077,666	3/1978	Heumann	D6/63 X

Primary Examiner—Bruce W. Dunkins
Attorney, Agent, or Firm—Eric T. S. Chung

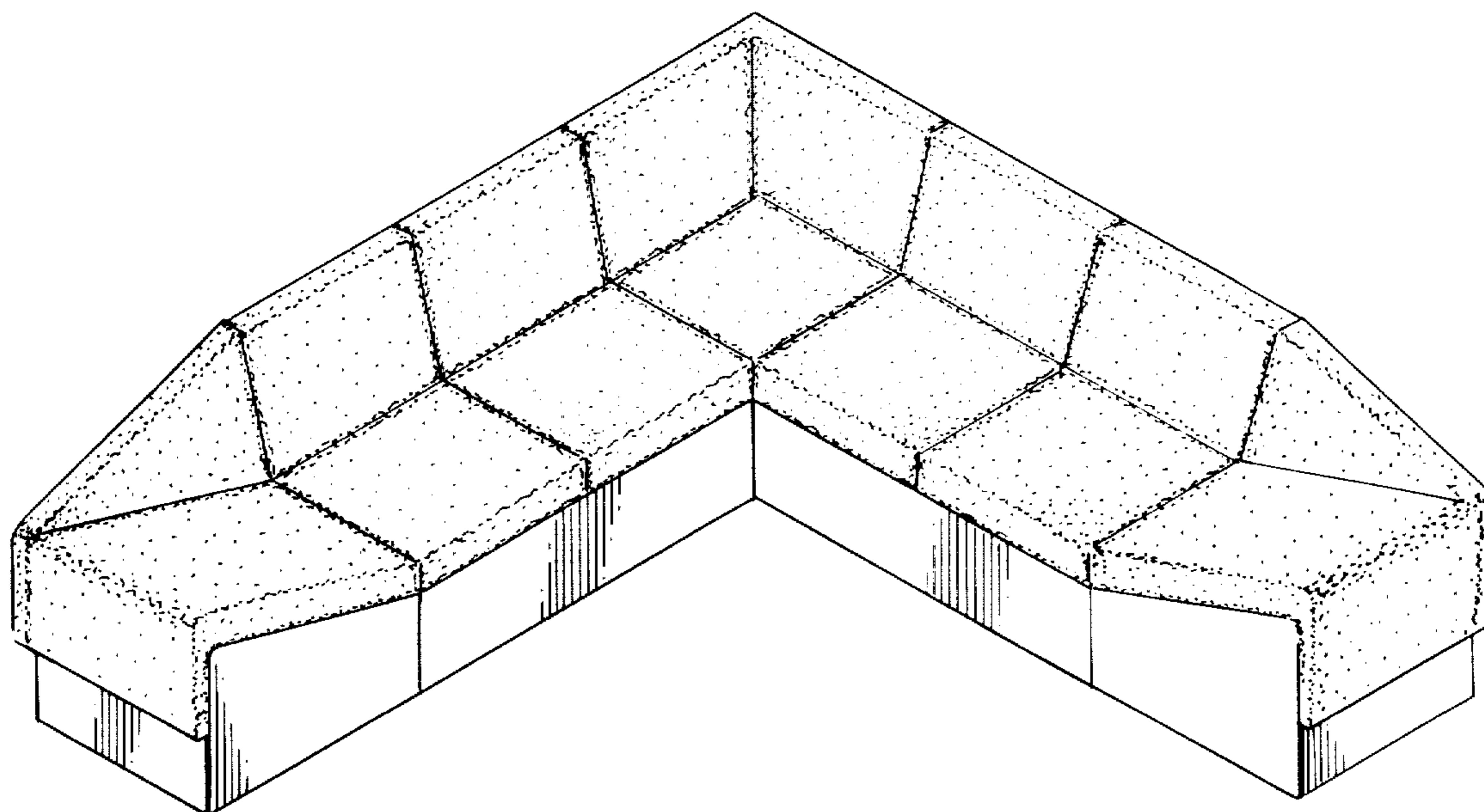
[57]

CLAIM

The ornamental design for a sofa, as shown.

DESCRIPTION

FIG. 1 is a top perspective view of a sofa showing my new design; and
FIG. 2 is a bottom perspective view thereof.



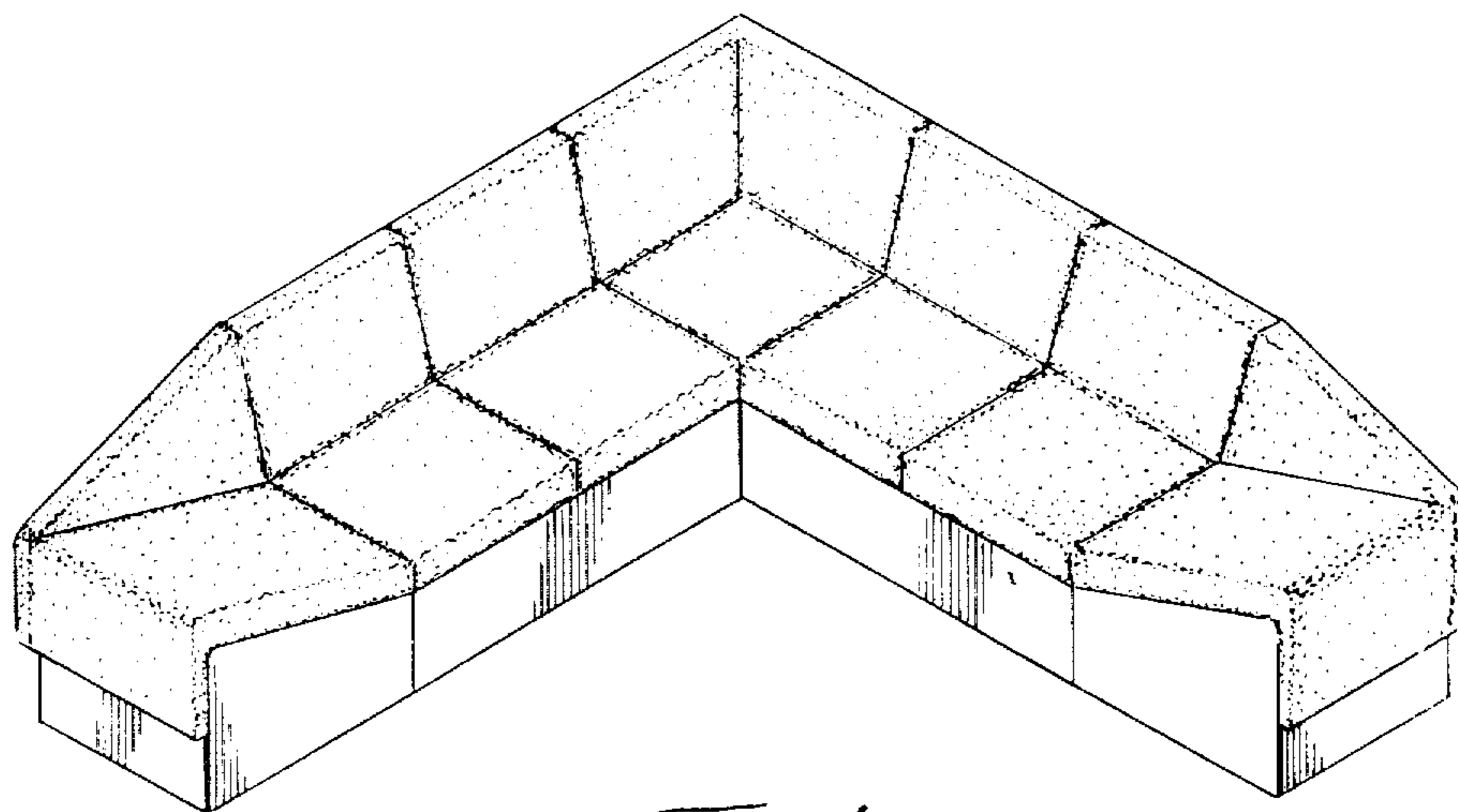


FIG. 1

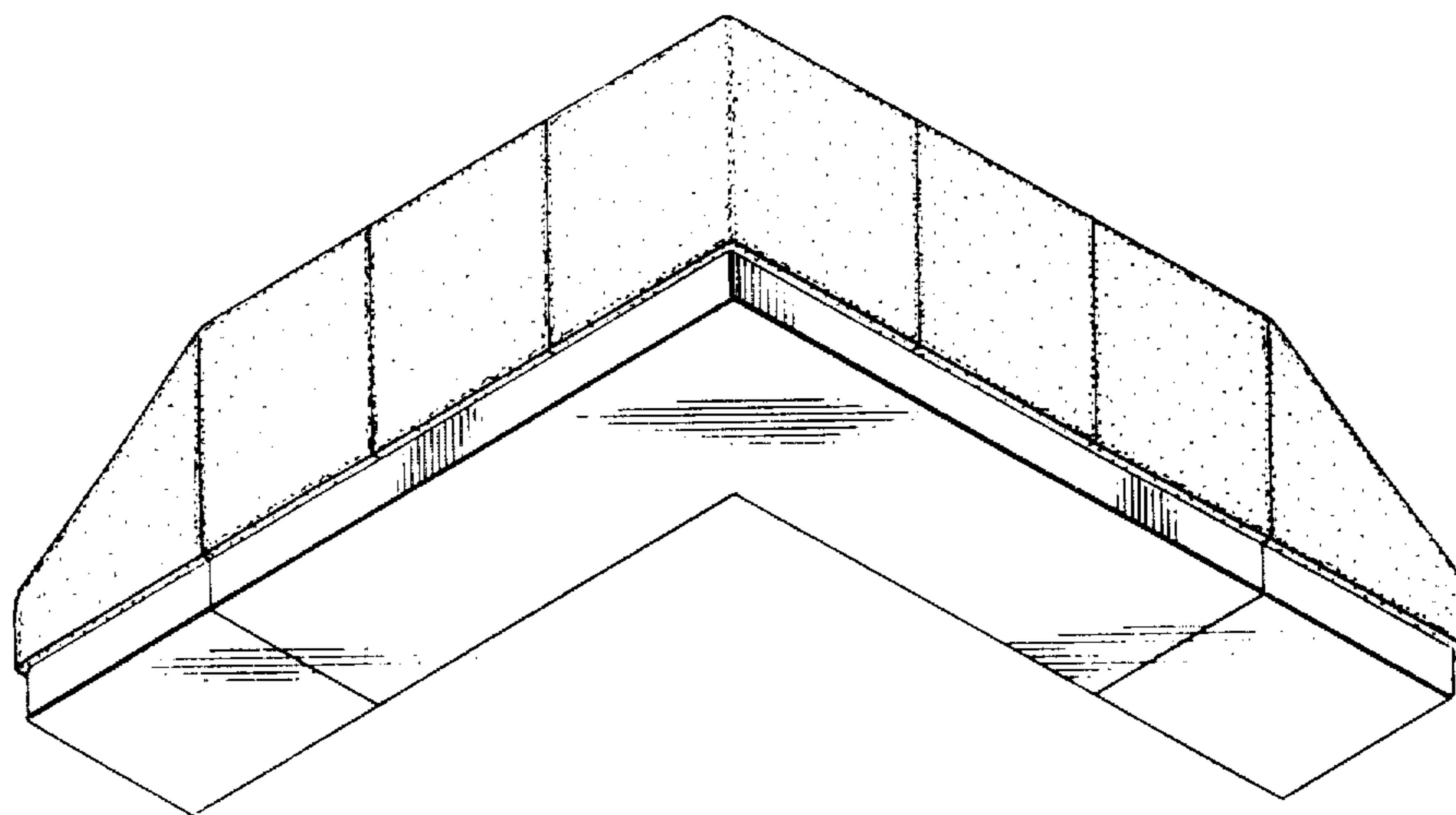


FIG. 2