

[54] TABLE WITH AN ILLUMINATED TOP

[76] Inventor: Thomas Miller, 3 Woodland Pl., White Plains, N.Y. 10606

[**] Term: 14 Years

[21] Appl. No.: 251,252

[22] Filed: Apr. 6, 1981

[51] Int. Cl. D6-03
[52] U.S. Cl. D6/27
[58] Field of Search D6/20, 27, 146, 175, D6/177-179

[56] References Cited
U.S. PATENT DOCUMENTS

D. 201,086 5/1965 Covington D6/146
D. 228,161 8/1973 Andrus D6/27

D. 229,589 12/1973 Gregorutti D6/146 X
3,980,027 9/1976 Maës D6/146 X

Primary Examiner—Bruce W. Dunkins
Attorney, Agent, or Firm—Eugene E. Geoffrey, Jr.

[57] CLAIM

The ornamental design for a table with an illuminated top, as shown and described.

DESCRIPTION

FIG. 1 is a plan view of a table with an illuminated top showing my new design;
FIG. 2 is a side view of the table shown in FIG. 1;
FIG. 3 is a bottom view of the table shown in FIGS. 1 and 2; and
FIG. 4 is an exploded perspective view of the table shown in FIGS. 1, 2 and 3.
The sides of the table not shown are the same in appearance as the side shown in FIG. 2.

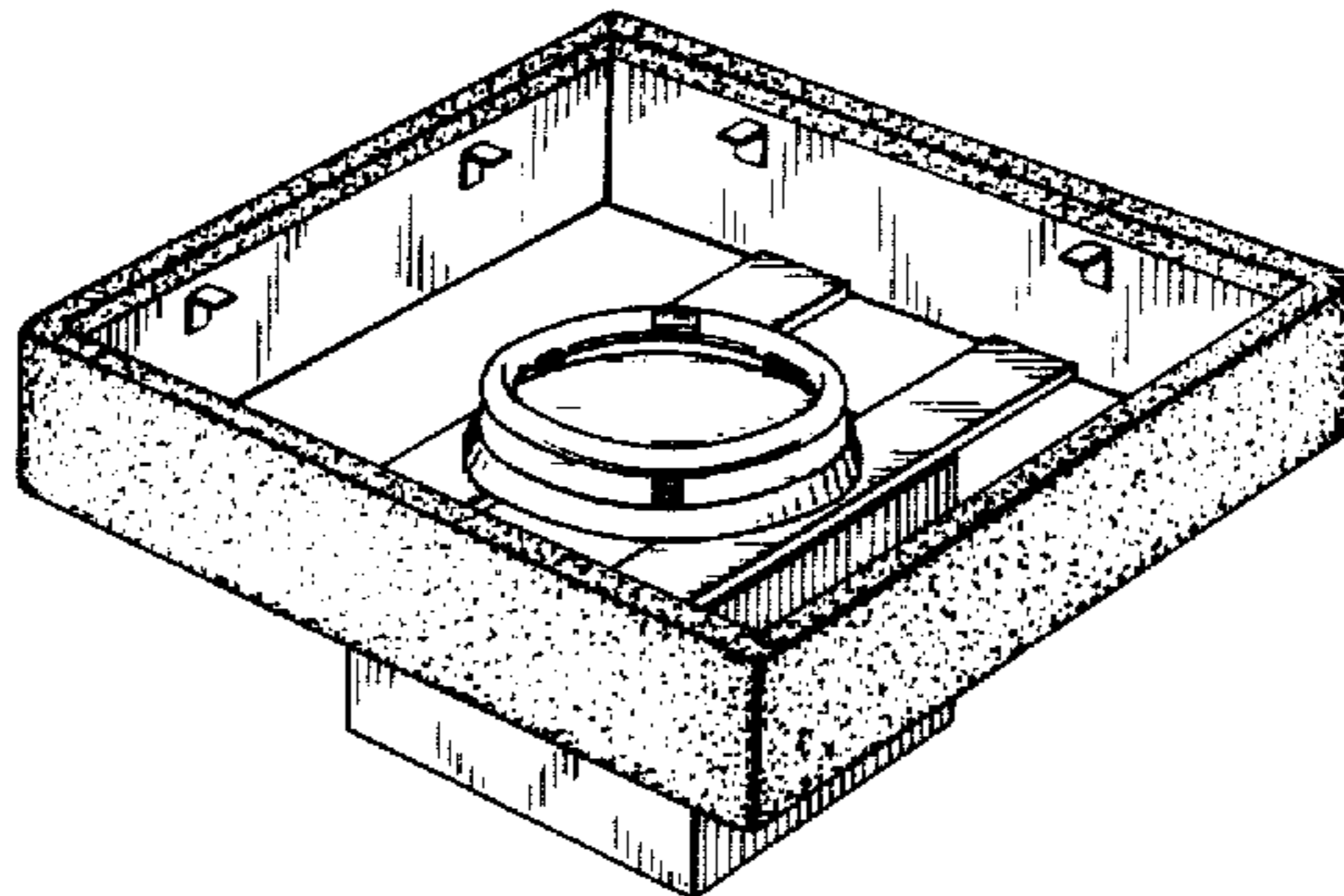
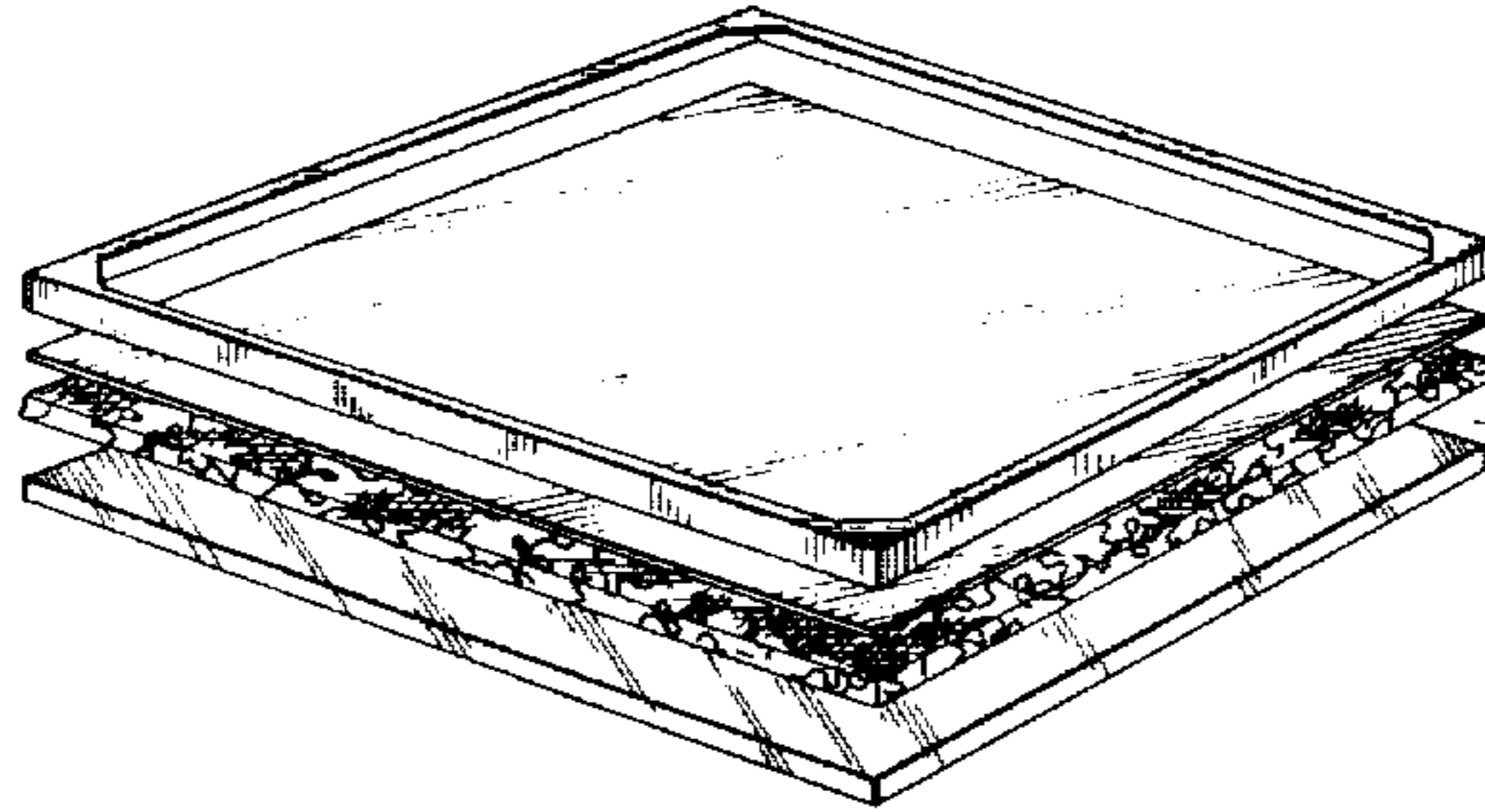


Fig. 1.



Fig. 2.

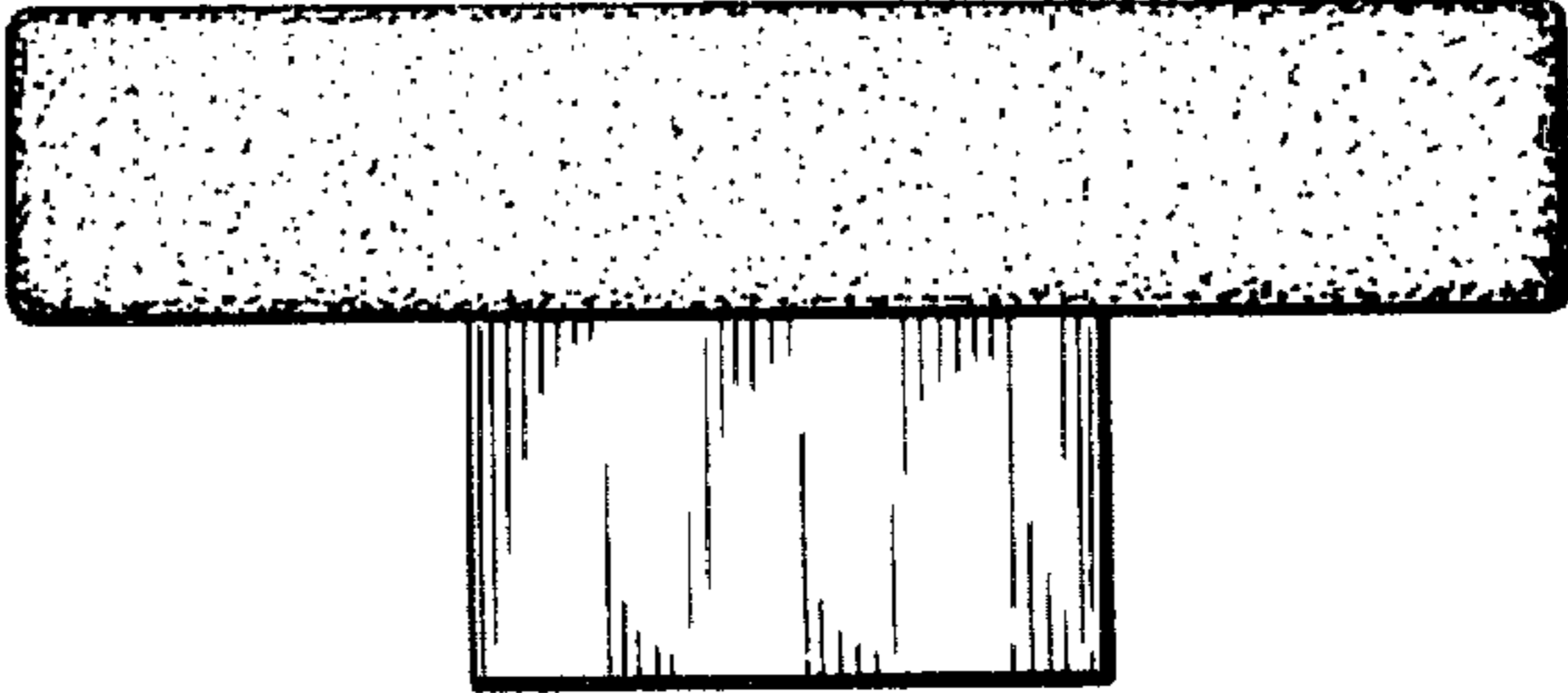


Fig. 3.

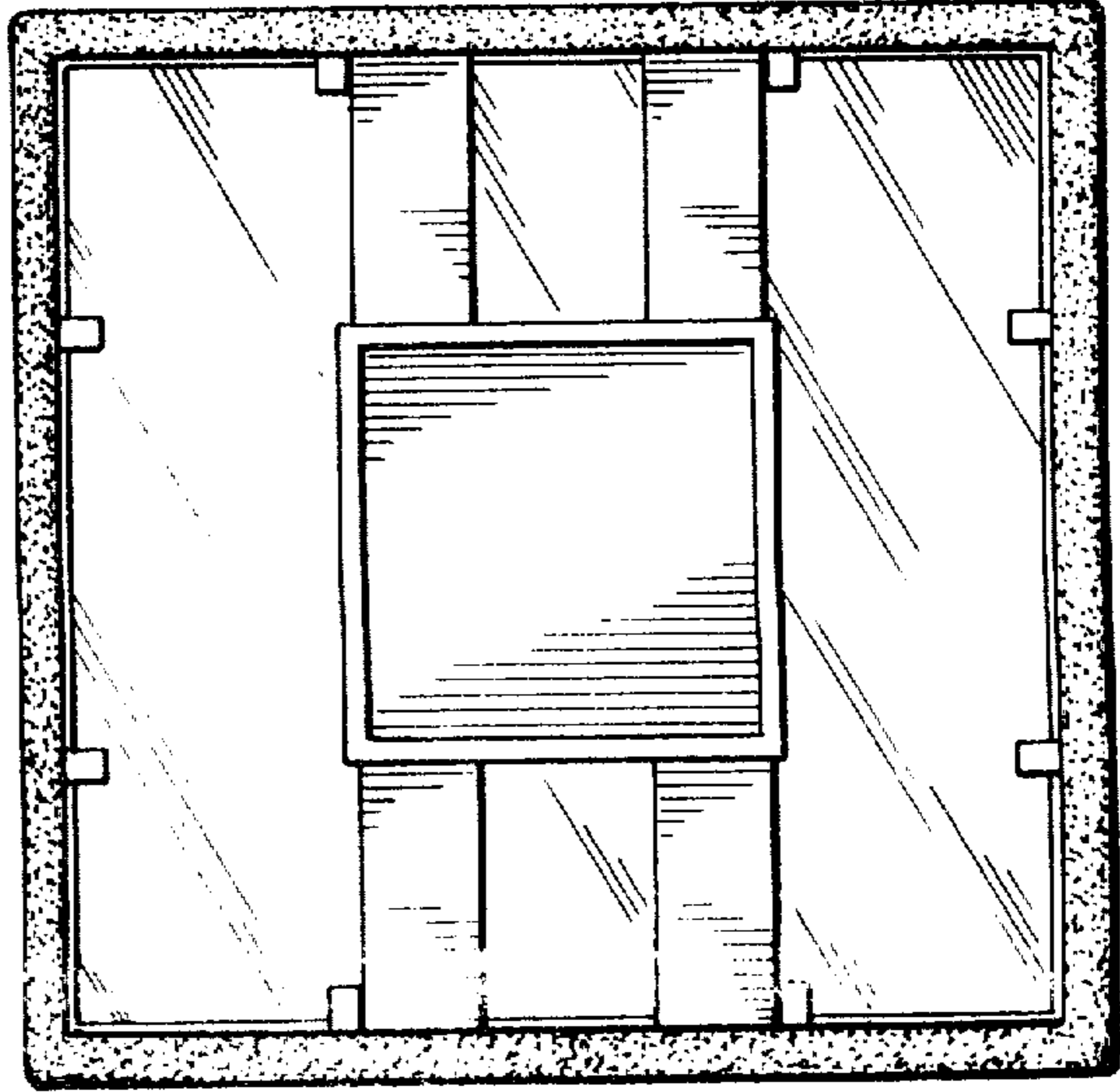


FIG. 4.

