

[54] **LUGGAGE CASE**

[75] **Inventor:** Edward M. Stolarz, Yorktown Heights, N.Y.

[73] **Assignee:** Presto Lock, Inc., Garfield, N.J.

[**] **Term:** 14 Years

[21] **Appl. No.:** 195,361

[22] **Filed:** Oct. 9, 1980

[51] **Int. Cl.** D3-01

[52] **U.S. Cl.** D3/76

[58] **Field of Search** D3/71-77;
190/41.2, 41 R, 58 R; 70/312, 288; 292/DIG.
48; D8/330, 331

[56] **References Cited**

U.S. PATENT DOCUMENTS

3,439,515 4/1969 Gehrie 70/288

OTHER PUBLICATIONS

Luggage & Leather Goods, 7/67, p. 36.

Primary Examiner—George P. Word
Attorney, Agent, or Firm—Shapiro and Shapiro

[57] **CLAIM**

The ornamental design for a luggage case, as shown and described.

DESCRIPTION

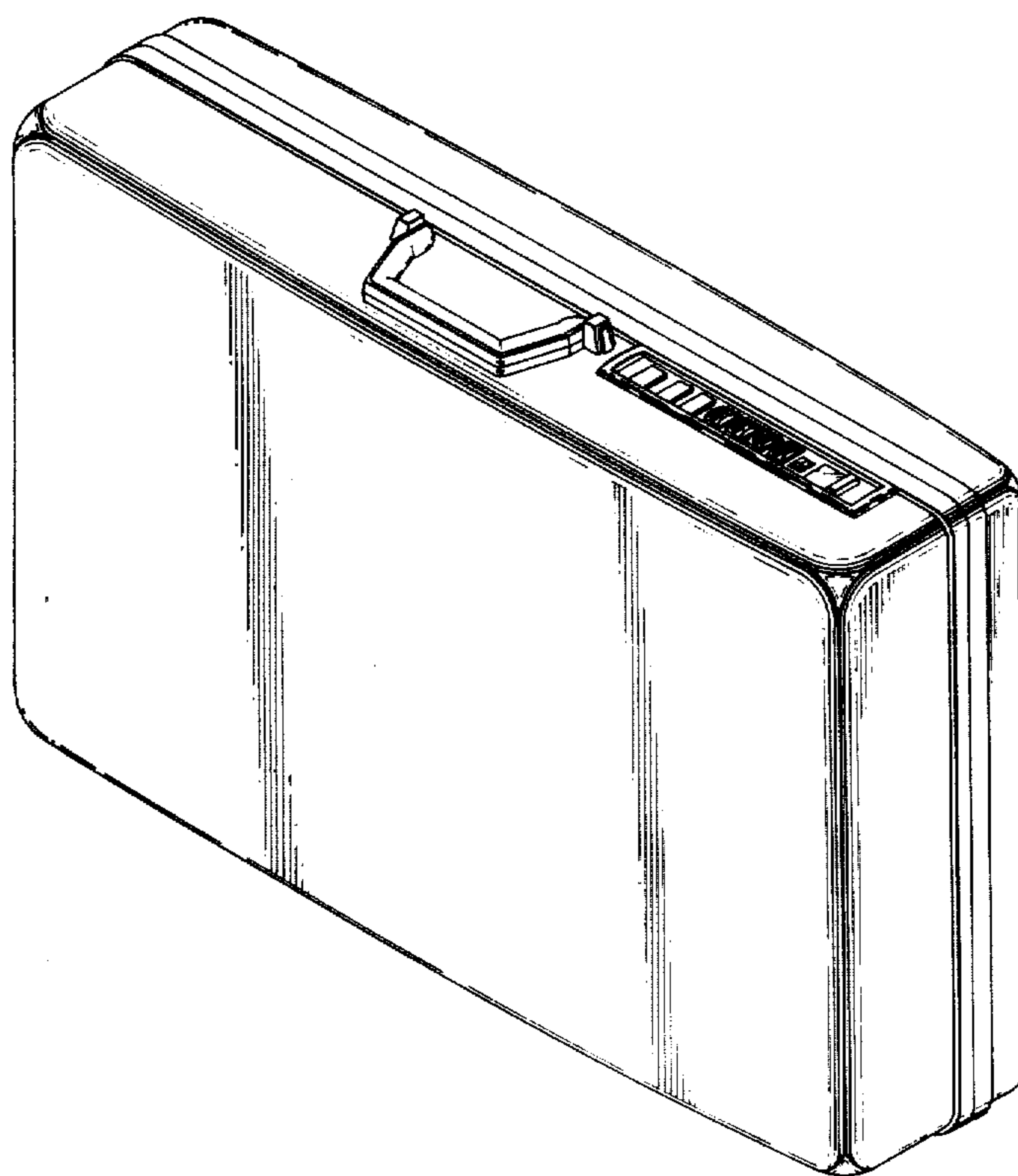
FIG. 1 is a perspective view of a luggage case showing my new design;

FIG. 2 is a top plan view thereof;

FIG. 3 is a right side elevational view thereof;

FIG. 4 is a left side elevational view thereof; and

FIG. 5 is a rear elevational view thereof.



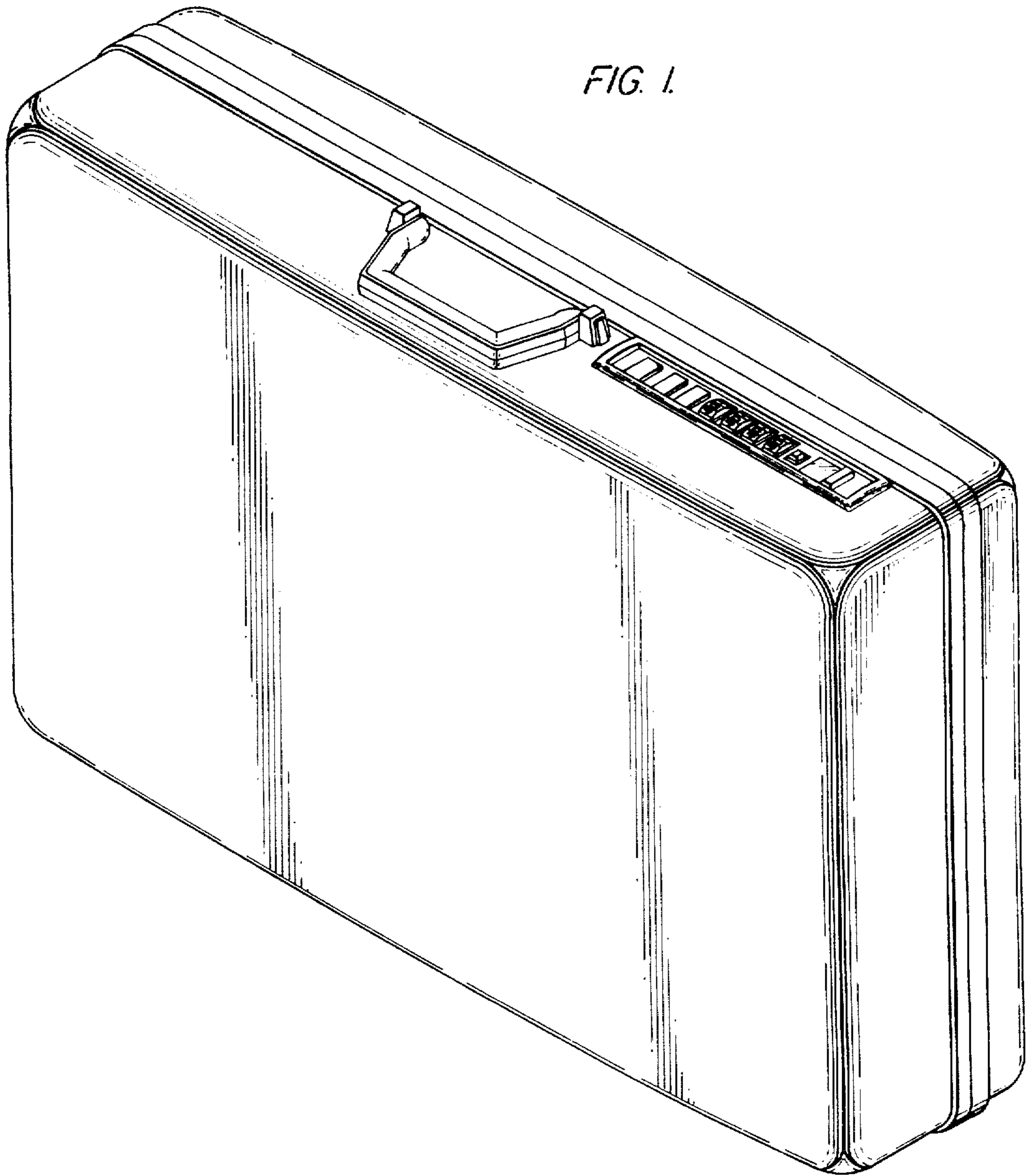


FIG. 2.

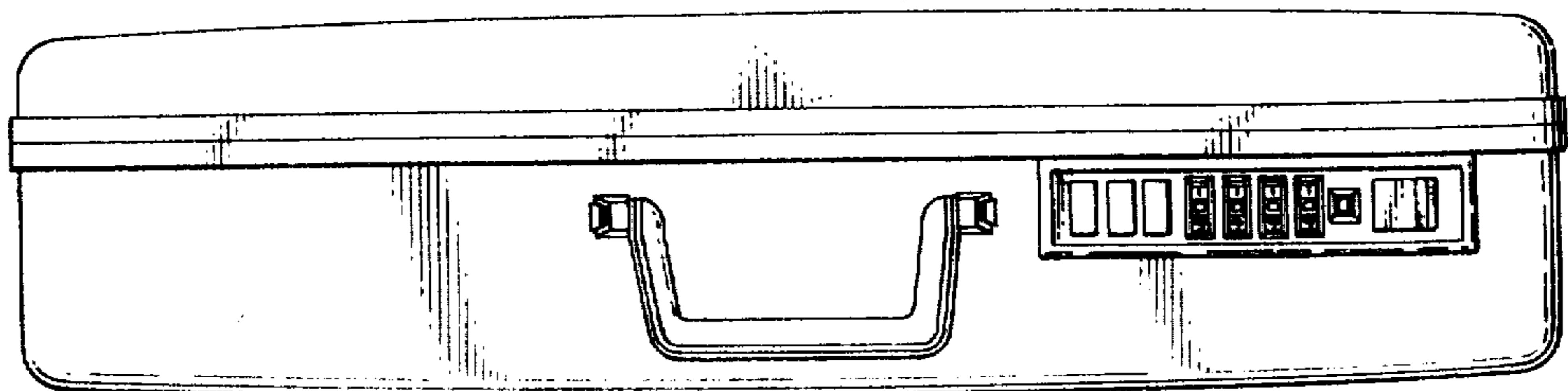


FIG. 3.

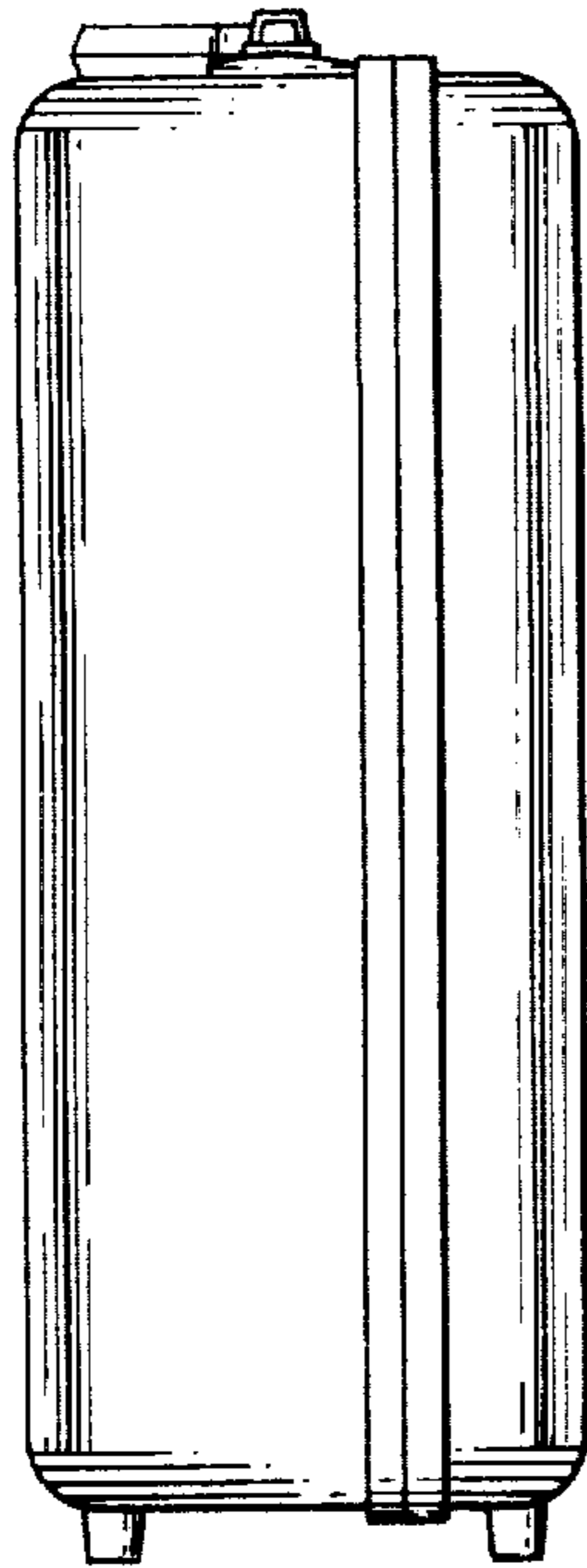


FIG. 4.

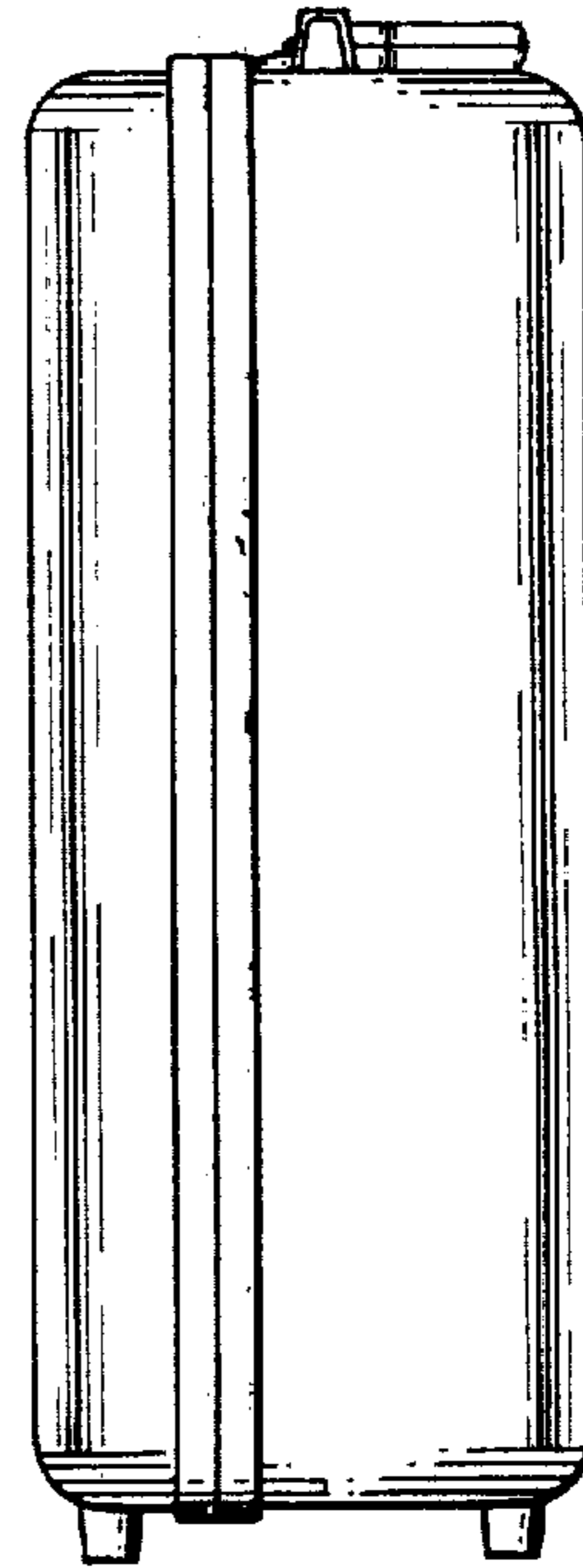


FIG. 5.

