

[54] YARN HOLDER

[76] Inventor: Richard L. Zelmer, P.O. Box 611, Castroville, Tex. 78009

[**] Term: 14 Years

[21] Appl. No.: 209,462

[22] Filed: Nov. 24, 1980

[51] Int. Cl. D02-99

[52] U.S. Cl. D3/23; D6/184; D6/185

[58] Field of Search D3/18, 20, 23, 24, 25, D3/26; 223/106, 108; 211/41; 242/134, 137, 139, 140; 248/150; D6/184, 185, 142

[56] References Cited

U.S. PATENT DOCUMENTS

D. 90,133 6/1933 Wild D3/25
585,070 6/1897 Yeakel 242/137

FOREIGN PATENT DOCUMENTS

24520 of 1893 United Kingdom 248/150

OTHER PUBLICATIONS

House Beautiful, Dec. 1952, p. 78; Magazine Rack on page.

"Friendly Pine" by Yield House ©1970, p. 28; Item #6, Folding Record Browser, left center of page.

Primary Examiner—Joel Stearman
Assistant Examiner—Carmen H. Vales

[57] CLAIM

The ornamental design for a yarn holder, as shown.

DESCRIPTION

FIG. 1 is a perspective view of a yarn holder showing my new design;

FIG. 2 is a front elevational view thereof;

FIG. 3 is a right end elevational view thereof;

FIG. 4 is a left end elevational view thereof;

FIG. 5 is a top plan view thereof; and

FIG. 6 is a bottom plan view thereof.

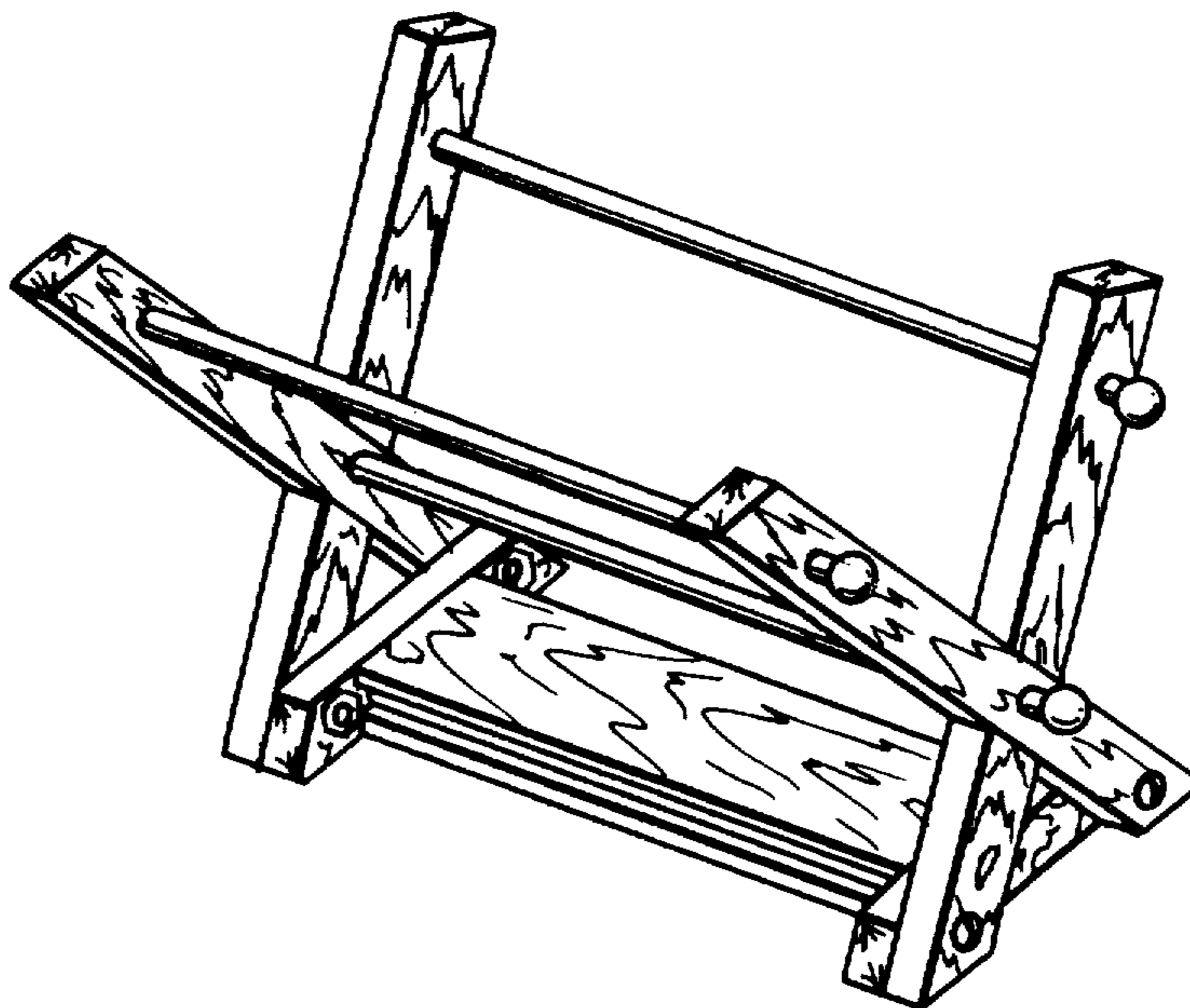


FIG. 1

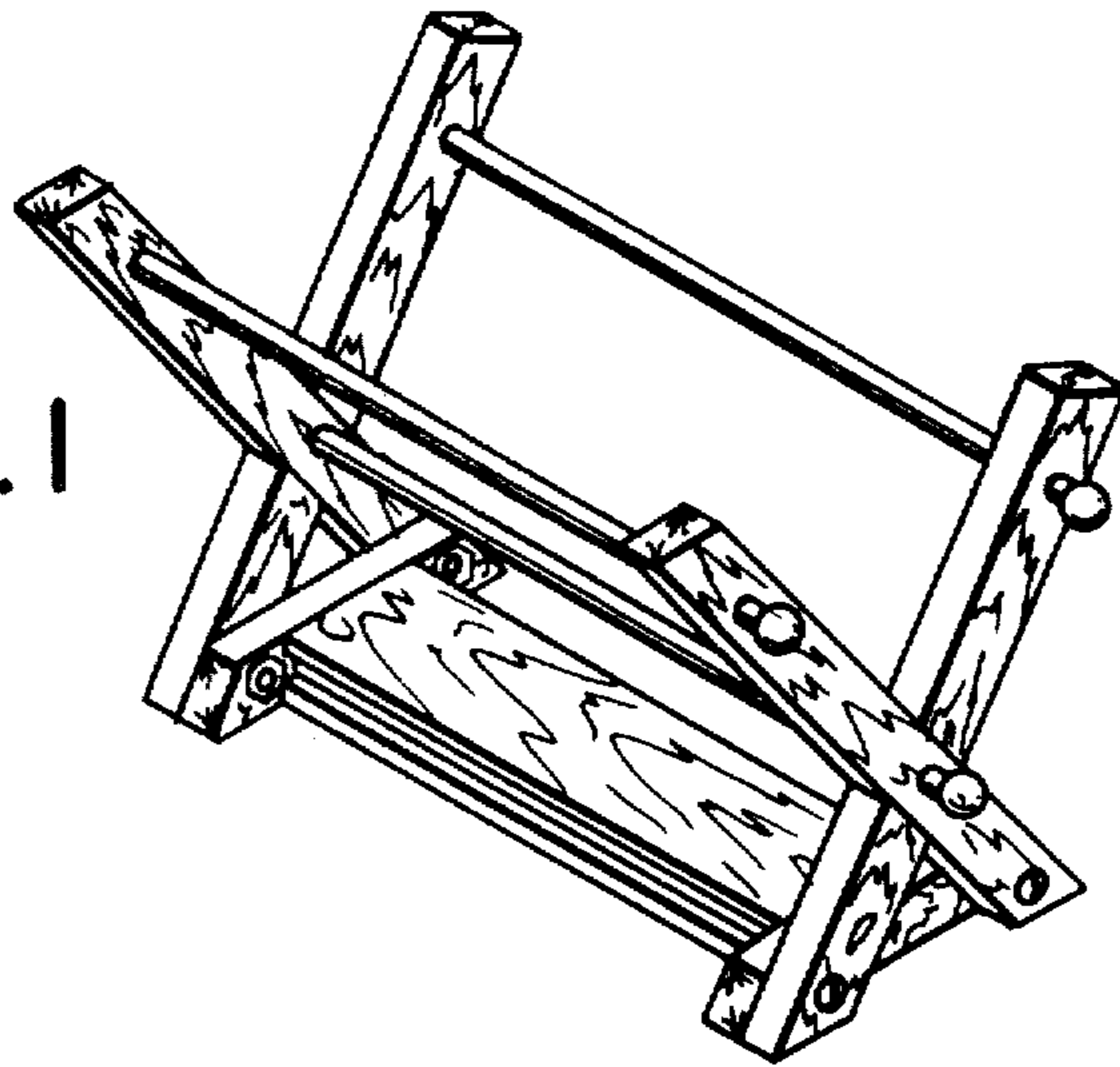


FIG. 2

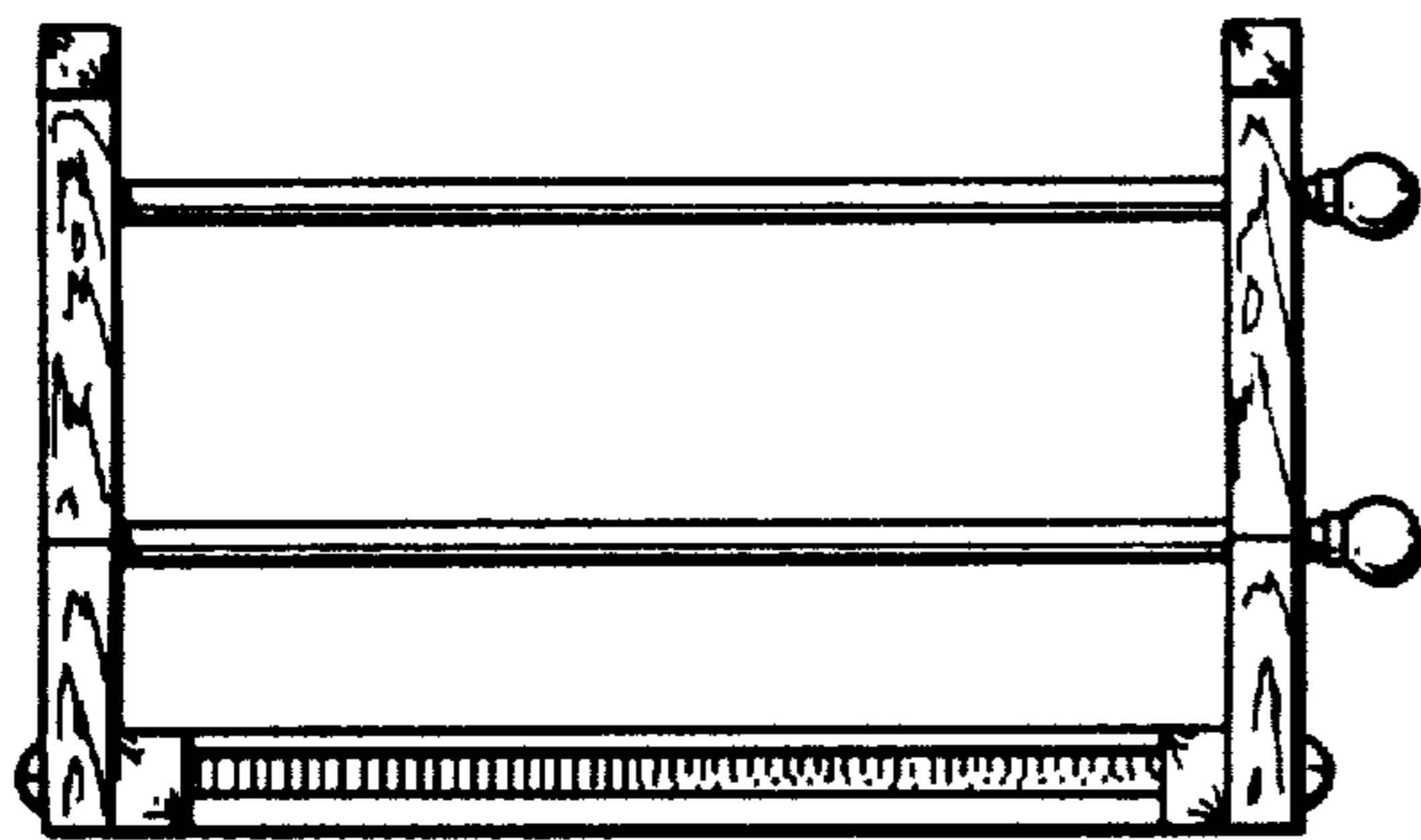


FIG. 3

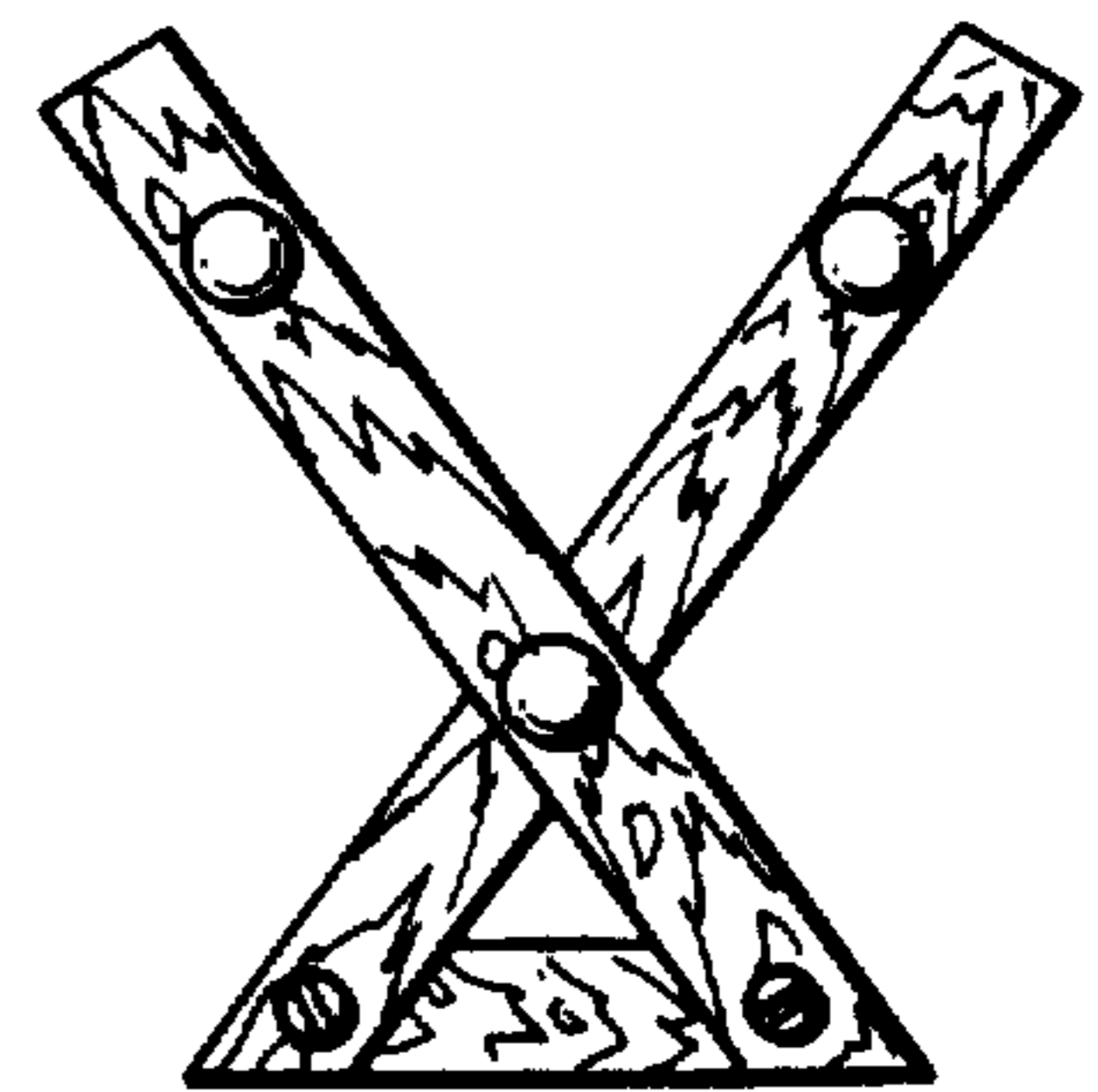


FIG. 5

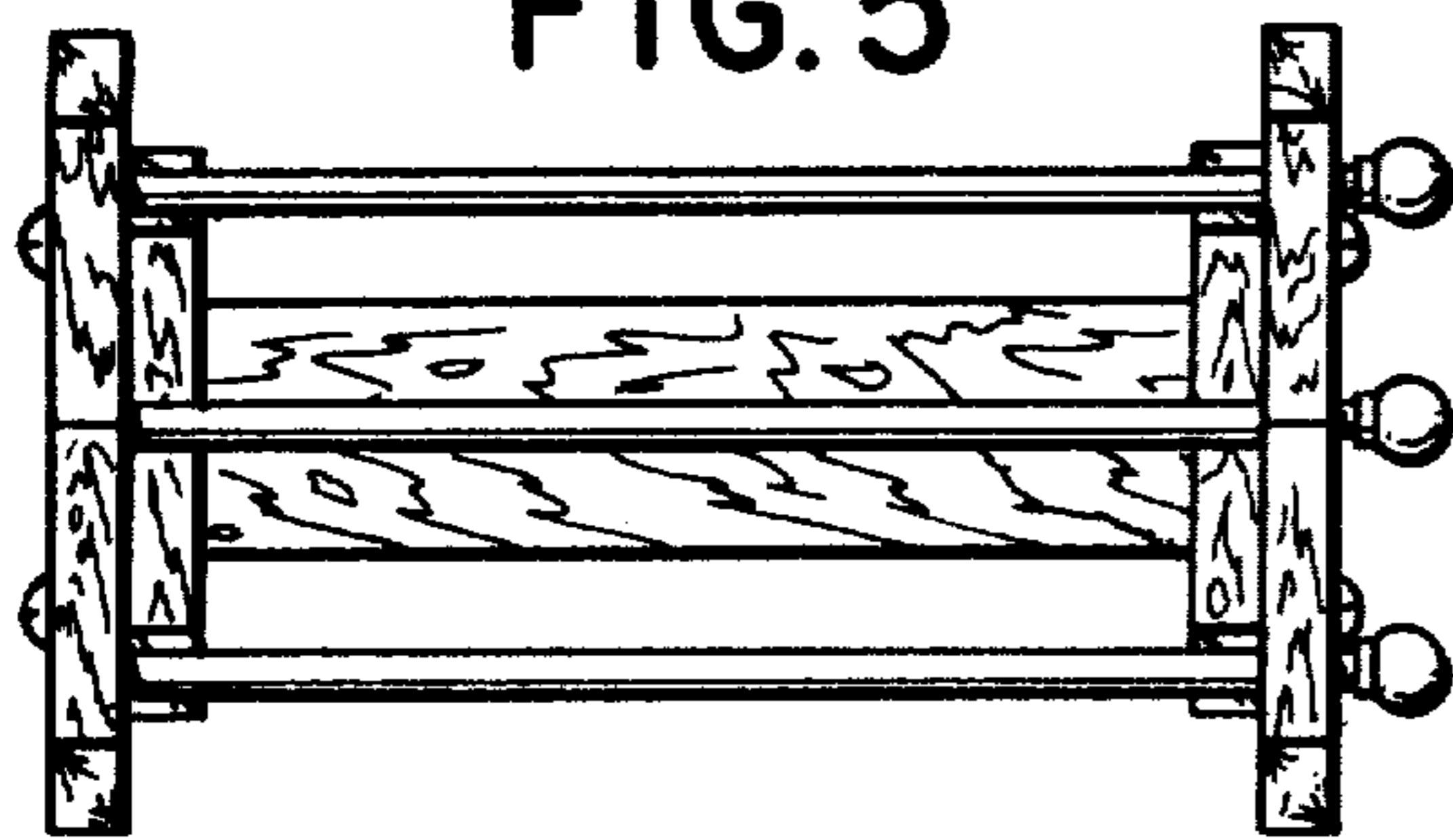


FIG. 4

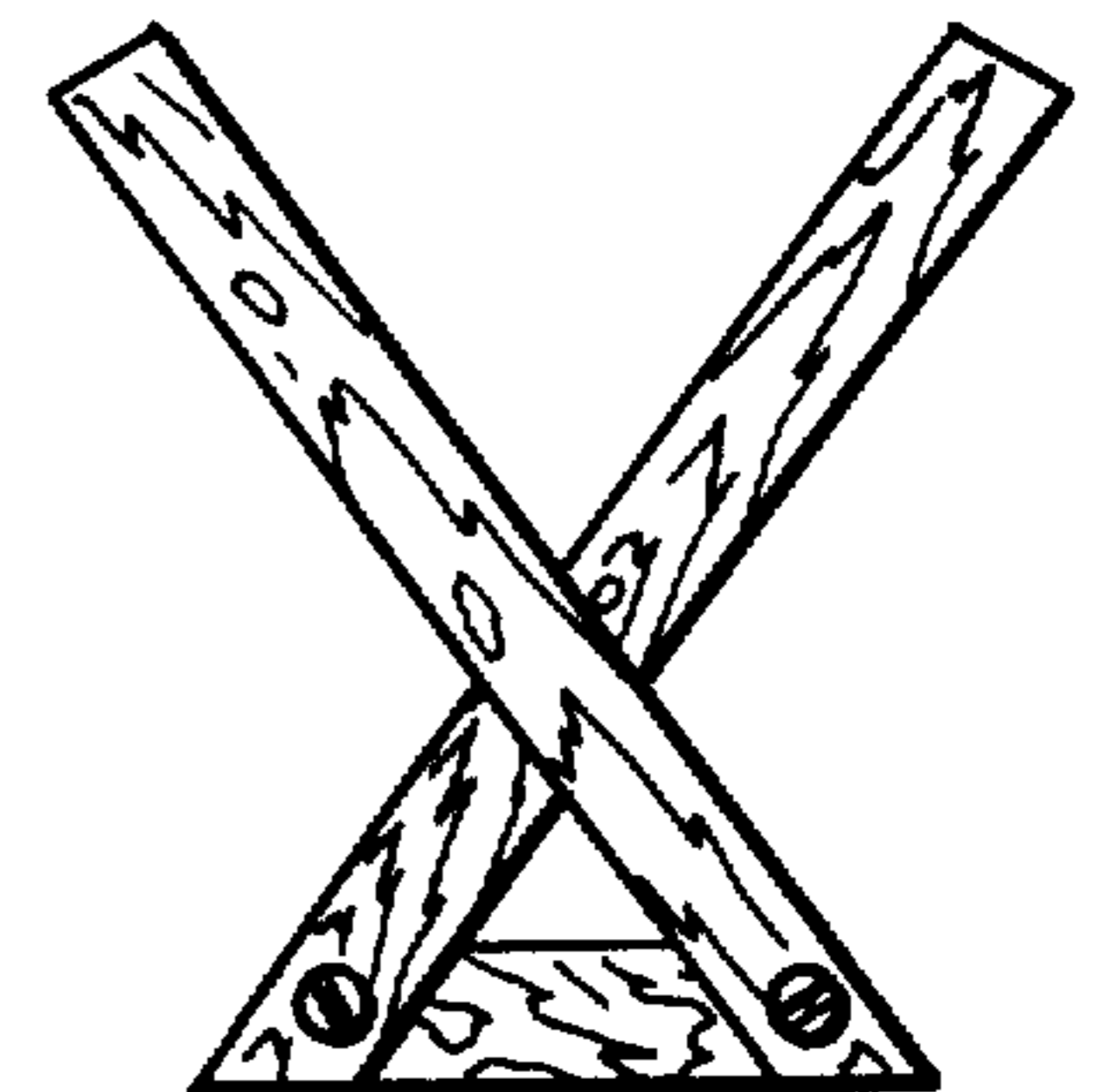


FIG. 6

