

[54] SERVING CART

- [75] Inventors: Gregory D. Bergquist, Mountain Brook; John A. Jones, Trussville, both of Ala.
- [73] Assignee: Meadowcraft Inc., Birmingham, Ala.
- [**] Term: 14 years
- [21] Appl. No.: 189,444
- [22] Filed: Sep. 22, 1980
- [51] Int. Cl. D12-02
- [52] U.S. Cl. D34/21; D34/17
- [58] Field of Search D34/17, 21; D6/85, 157; 280/47.34, 47.35; 108/59

- [56] **References Cited**
- U.S. PATENT DOCUMENTS
- D. 208,360 8/1967 Hamilton et al. D34/21

OTHER PUBLICATIONS

Superior Reed & Rattan 1973 Catalog, p. 4, Serving Cart No. 352.
 Calif-Asia/Hermosa Rattan Catalog, ©2/72, p. 44, Serving Cart No. 3640-90, bottom left side of page.
 House Beautiful, 10/75, p. 175, Chic Serving Cart, Second Box down from top of page.
 Reed & Rattan Furniture, Heywood-Wakefield Catalog No. 10, p. 121, Cart No. W137, top left side of page.
 Primary Examiner—James M. Gandy
 Attorney, Agent, or Firm—Kontler, Grimes & Battersby

[57] CLAIM

The ornamental design for a serving cart, as shown and described.

DESCRIPTION

FIG. 1 is a perspective view of the serving cart showing our new design;
 FIG. 2 is a side elevational view thereof;
 FIG. 3 is an end elevational view thereof; and
 FIG. 4 is a top plan view thereof.

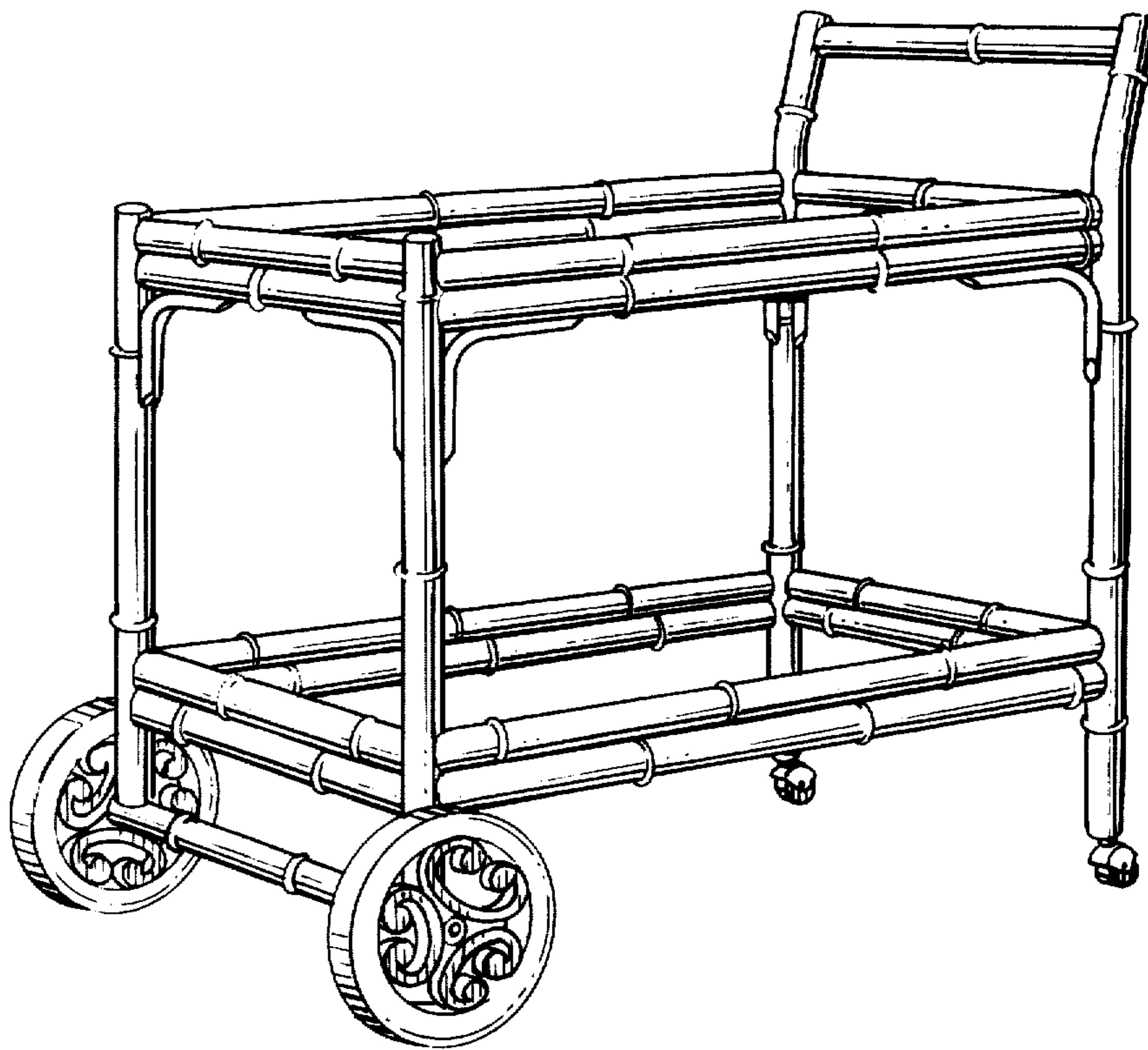


Fig. 1.

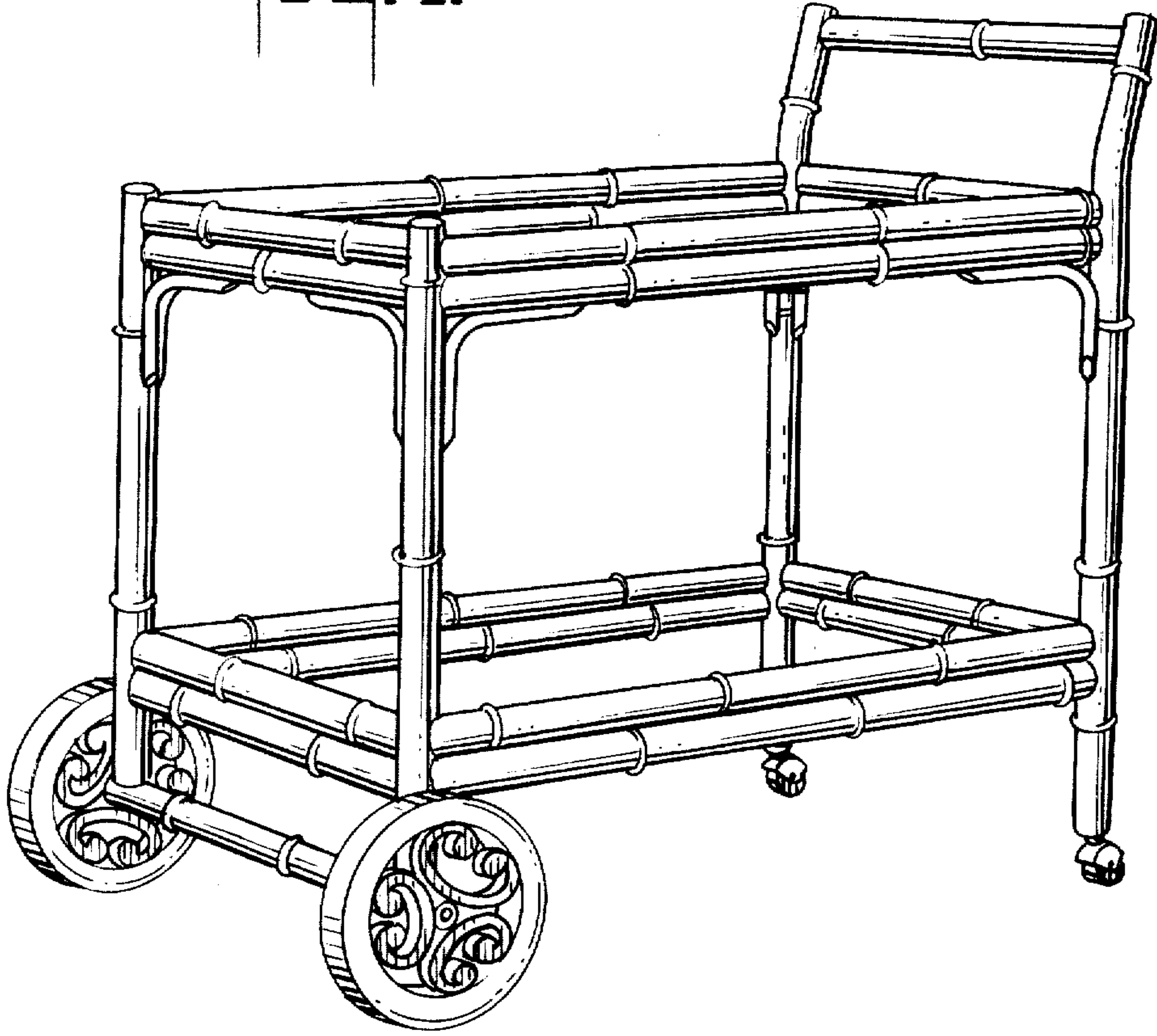


Fig. 4.

