

[54] VANITY MIRROR

[75] Inventor: **Jackey K. Lee, Kwai Chung, Hong Kong**

[73] Assignee: **Lomak Industrial Company Limited, Kwai Chung, Hong Kong**

[**] Term: **14 Years**

[21] Appl. No.: **346,736**

[22] Filed: **Feb. 8, 1982**

[30] Foreign Application Priority Data

Aug. 19, 1981 [GB] United Kingdom 1002065

[51] Int. Cl. **D28—03**

[52] U.S. Cl. **D28/83; D28/67**

[58] Field of Search **D28/73, 76-84, D28/38, 65, 67; D9/420, 423, 337, 403, 42 G; D3/39; 132/79 R-79 D, 79 F, 79 G, 82 R-82 G, 83 R-83 H, 84 R; 220/DIG. 26; 206/235, 581, 823; 362/136, 137; D11/80, 96**

[56] References Cited

U.S. PATENT DOCUMENTS

D. 31,403	8/1899	Algots	D28/83 X
D. 247,846	5/1978	Kortick	D11/80 X
D. 255,389	6/1980	Boyd	D28/78
4,126,145	11/1978	Boyd	132/83 R

Primary Examiner—Louis S. Zarfes

[57] CLAIM

The ornamental design for a vanity mirror, as shown and described.

DESCRIPTION

FIG. 1 is a top plan view of a vanity mirror showing my new design;

FIG. 2 is a bottom plan view thereof;

FIG. 3 is a front elevational view taken on arrow A in FIG. 1;

FIG. 4 is a rear elevational view taken on arrow B in FIG. 1;

FIG. 5 is a left side elevational view taken on arrow C in FIG. 1, the right side being a mirror image; and

FIG. 6 is a perspective view of the vanity in open position.

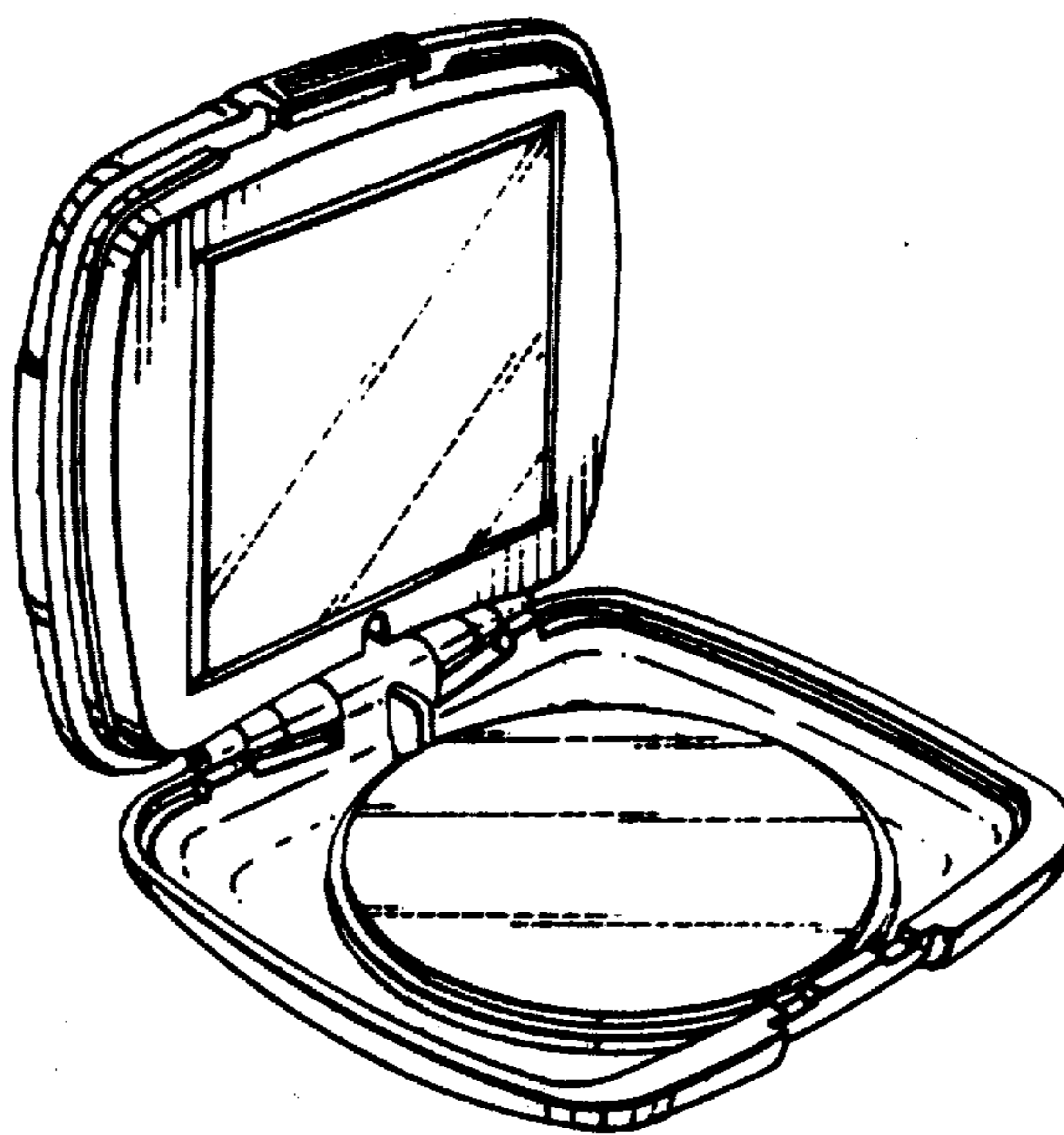


FIG. 1.

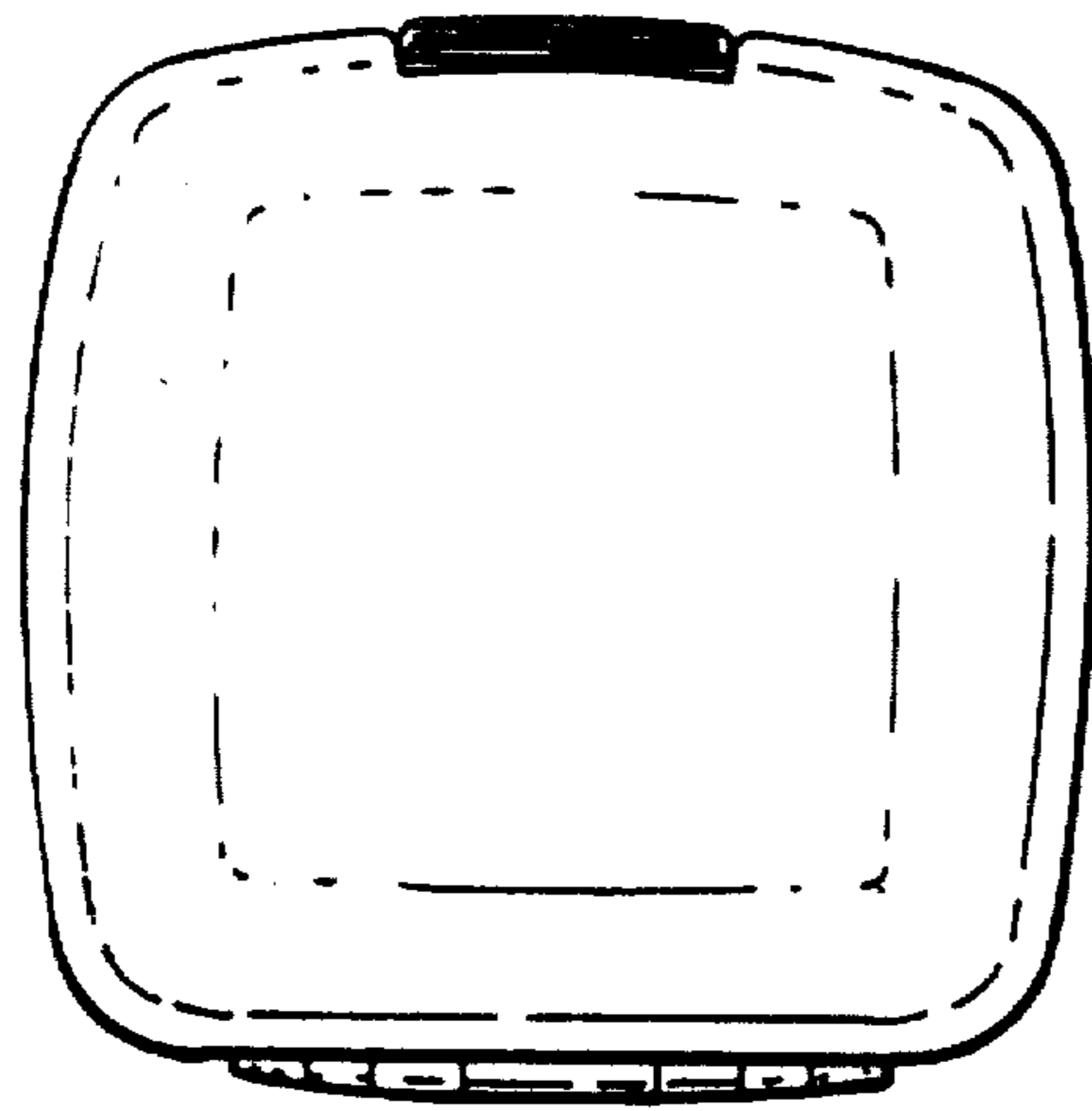
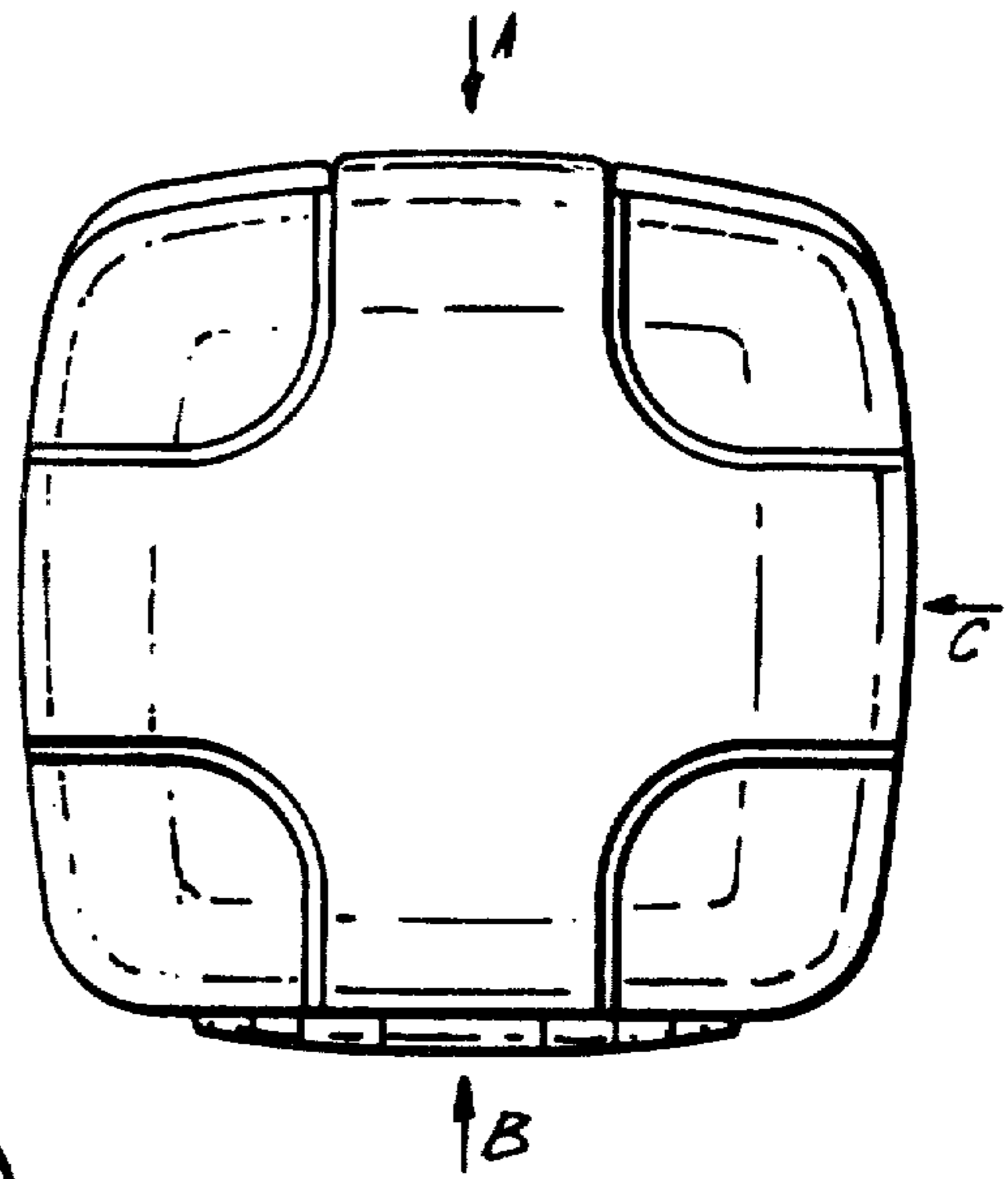


FIG. 2.

FIG. 3.

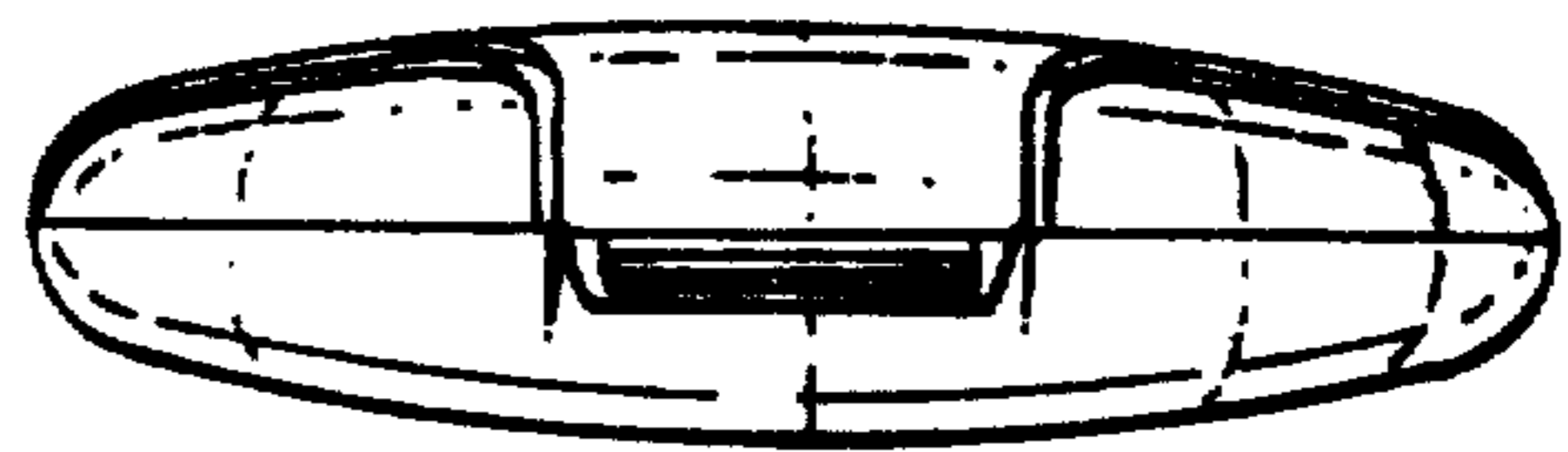


FIG. 4.

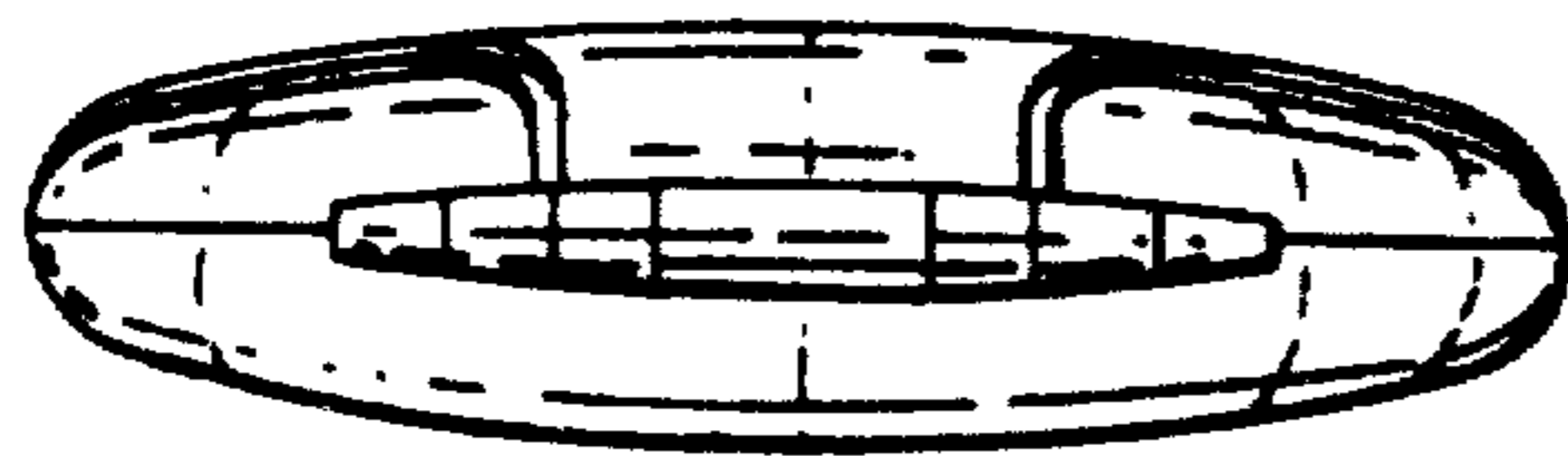


FIG. 5.

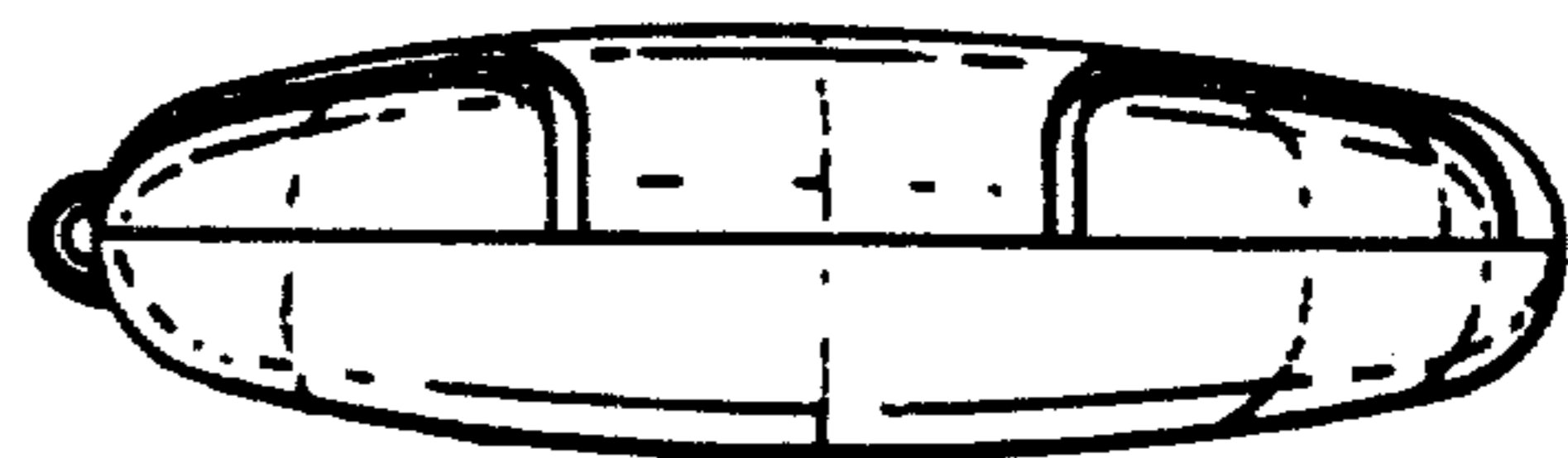


FIG 6.

