

[54] HAIR DRYER

[75] Inventor: John R. Armstrong, Broadstone, England

[73] Assignee: F C F Limited, Poole, England

[**] Term: 14 Years

[21] Appl. No.: 243,734

[22] Filed: Mar. 16, 1981

[30] Foreign Application Priority Data

Jan. 3, 1981 [GB] United Kingdom 998317

[51] Int. Cl. D28-03

[52] U.S. Cl. D28/13

[58] Field of Search D28/10-19, D28/35; 34/96-101; 219/222; 132/7, 9, 11 A

[56] References Cited

U.S. PATENT DOCUMENTS

- D. 248,048 5/1978 Cousins et al. D28/13
- D. 257,491 11/1980 Cousins D28/13
- D. 265,002 6/1982 Hubner D28/13

OTHER PUBLICATIONS

HFD—Retailing Home Furnishings, 7/14/80, Section Three, p. 24—Dryer at top right.

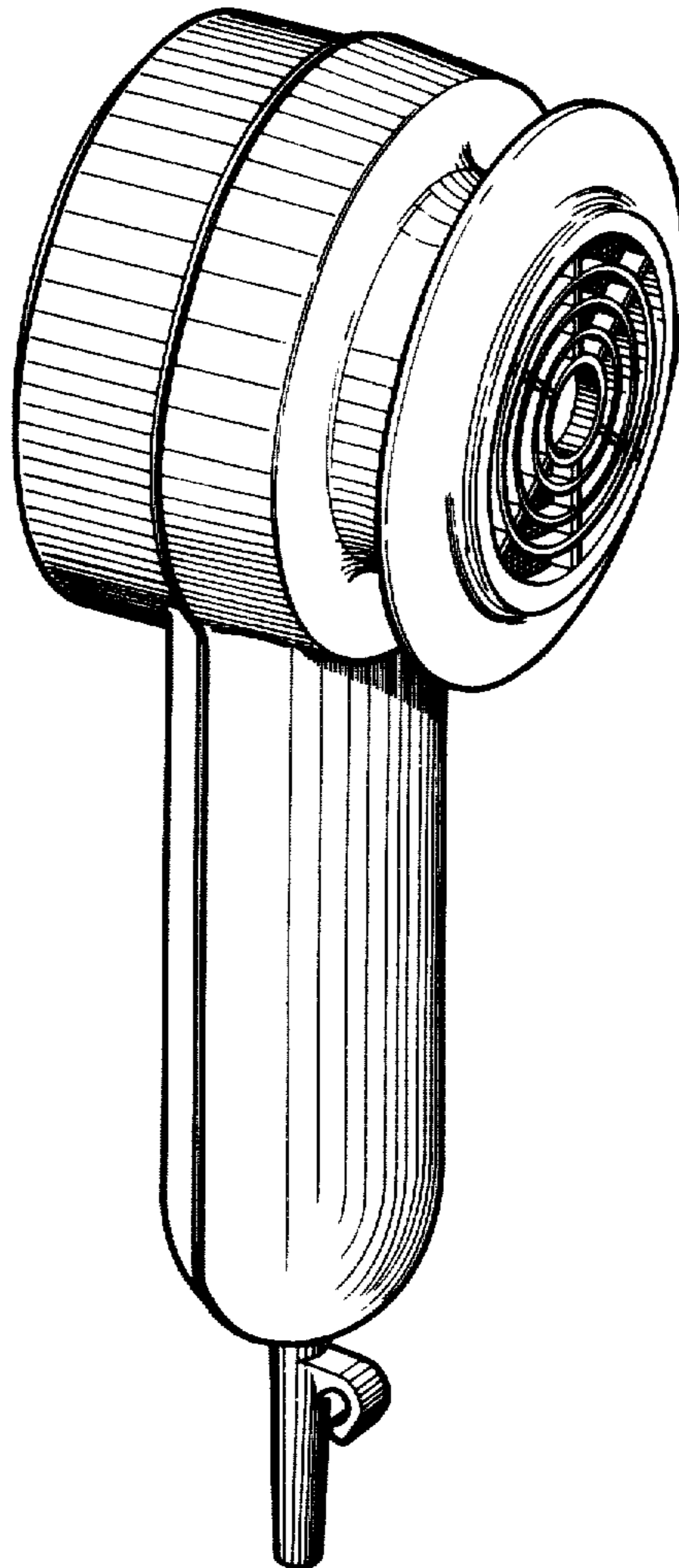
Primary Examiner—Louis S. Zarfes
Attorney, Agent, or Firm—Pennie & Edmonds

[57] CLAIM

The ornamental design for a hair dryer, as shown.

DESCRIPTION

FIG. 1 is a perspective view of the rear and one side of a hair dryer showing my new design;
FIG. 2 is a front elevational view of the hair dryer as shown in FIG. 1.



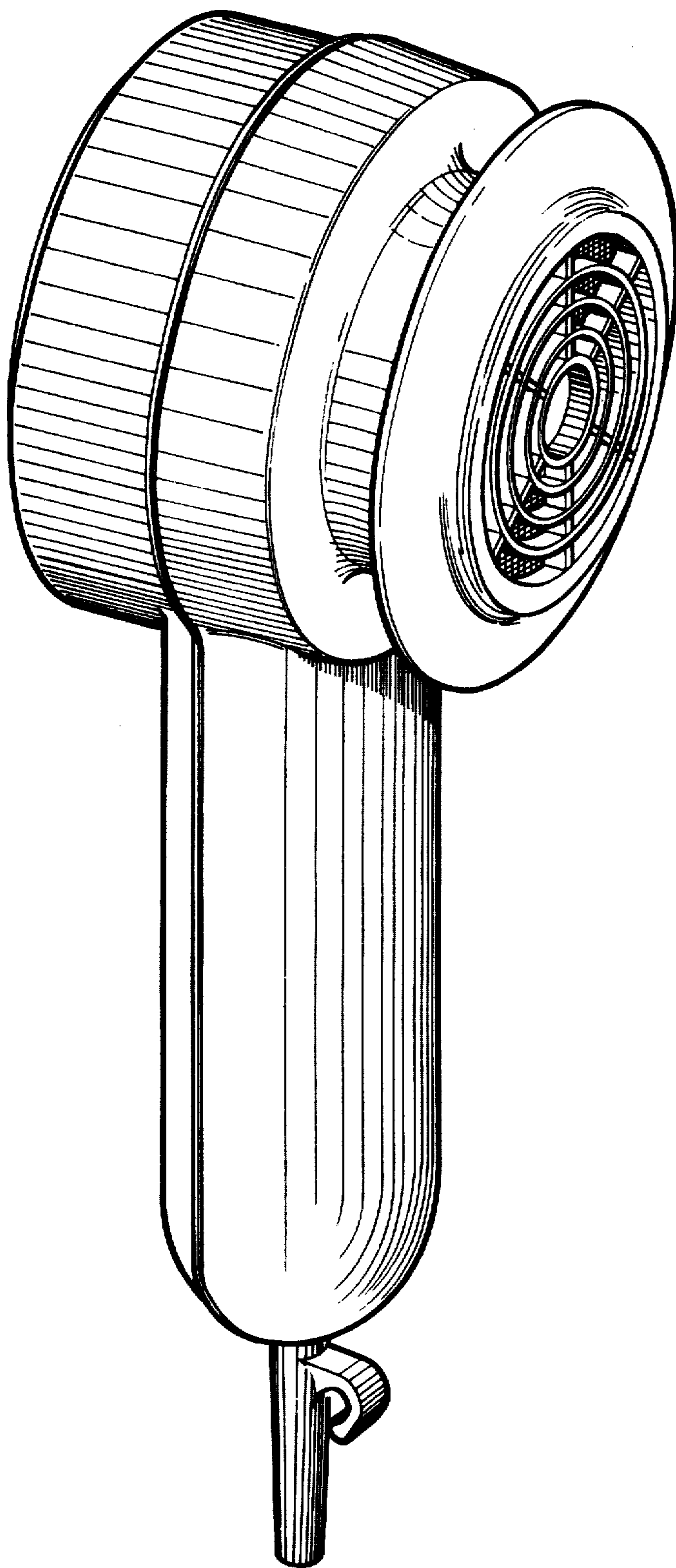


FIG. 1.

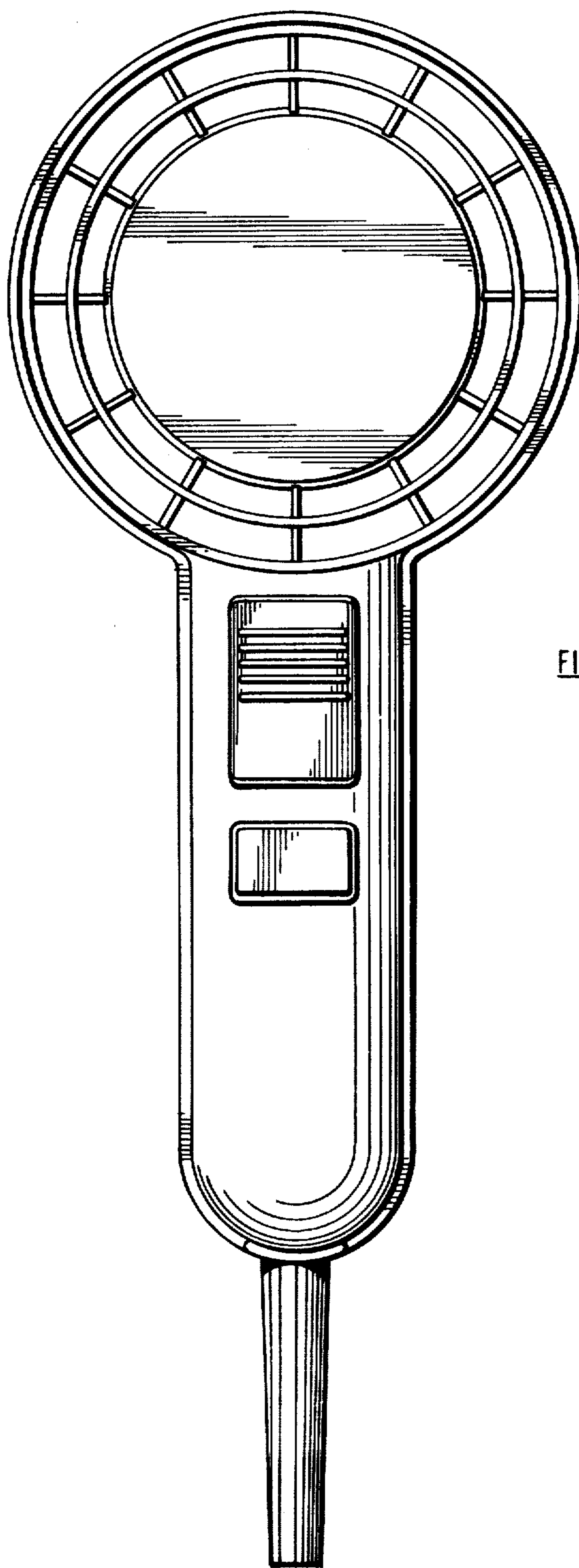


FIG. 2.