

[54] LIGHTING FIXTURE

[75] Inventor: Paul R. Maguire, Los Angeles, Calif.

[73] Assignee: Pleion Corporation, Santa Ana, Calif.

[**] Term: 14 Years

[21] Appl. No.: 243,655

[22] Filed: Mar. 13, 1981

[51] Int. Cl. D26-05

[52] U.S. Cl. D26/75; D26/63

[58] Field of Search D26/24, 61, 63, 64, D26/65, 66, 72, 74, 75, 76, 78, 80, 82, 87, 92; 362/418, 427, 282, 285, 287, 269, 432, 217, 220, 223, 235, 238, 249

[56] References Cited

U.S. PATENT DOCUMENTS

D. 192,645	4/1962	Bodian	D26/65
2,555,000	5/1951	Nitardy	362/220
4,118,766	10/1978	Kredo	362/427

OTHER PUBLICATIONS

Contract Interiors, Dec. 1977, p. 30, Fluorescent Wall Light (top left).

Primary Examiner—Susan J. Lucas
Attorney, Agent, or Firm—Jackson, Jones & Price

[57] CLAIM

The ornamental design for a lighting fixture, substantially as shown and described.

DESCRIPTION

FIG. 1 is a perspective view of the lighting fixture showing my new design, the fluorescent lamps being pivoted inward to a stored position; FIG. 2 is a right side elevational view of my new design with the fluorescent lamps being pivoted outward to an extended position, the left side being a mirror image; FIG. 3 is a front elevational view thereof; FIG. 4 is a top plan view thereof; FIG. 5 is a bottom plan view thereof; FIG. 6 is a rear elevational view thereof.

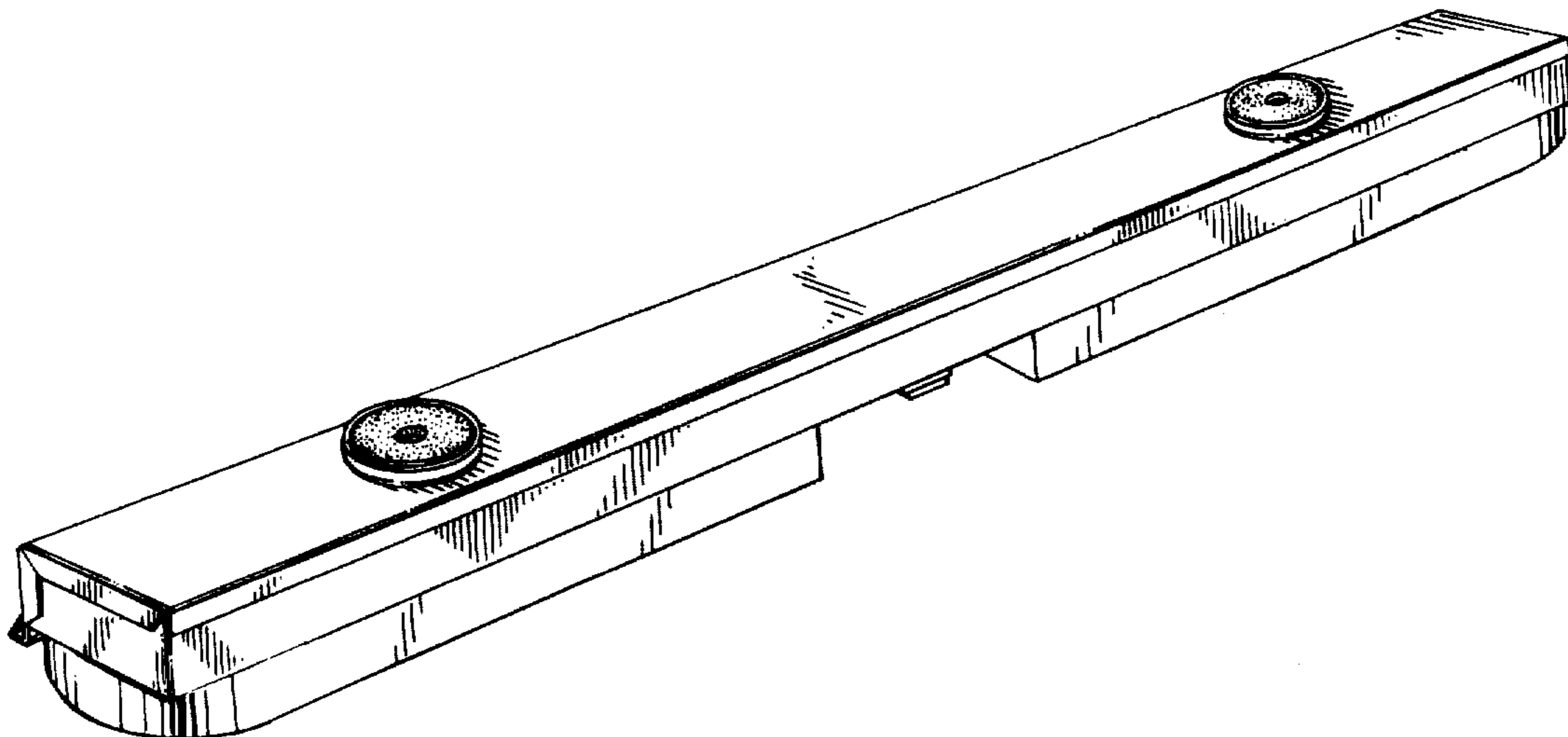


FIG. 6

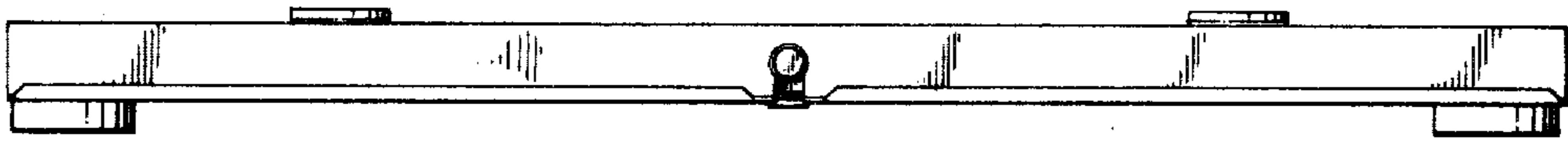


FIG. 1

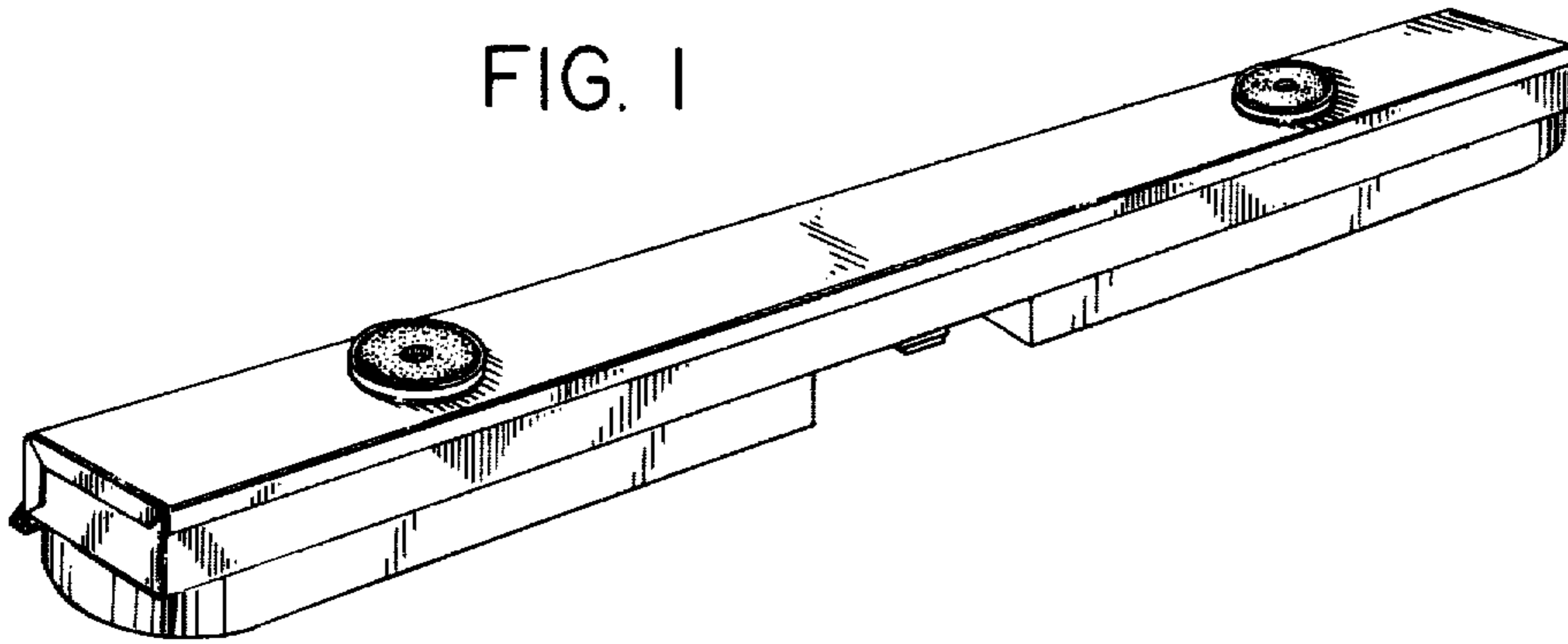


FIG. 2

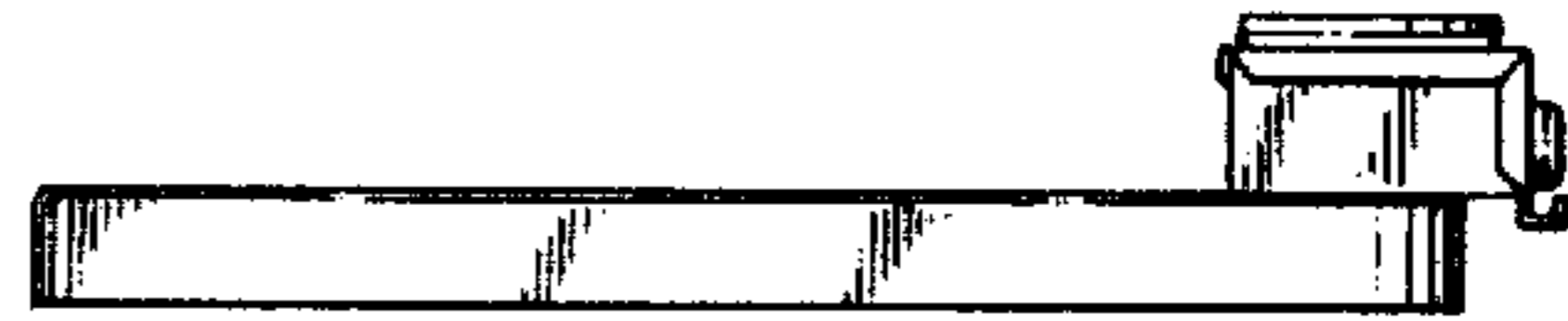


FIG. 3

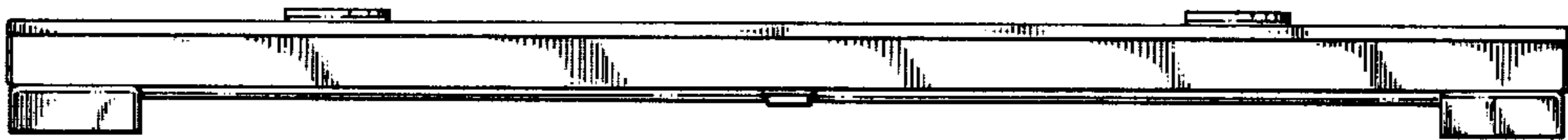


FIG. 4

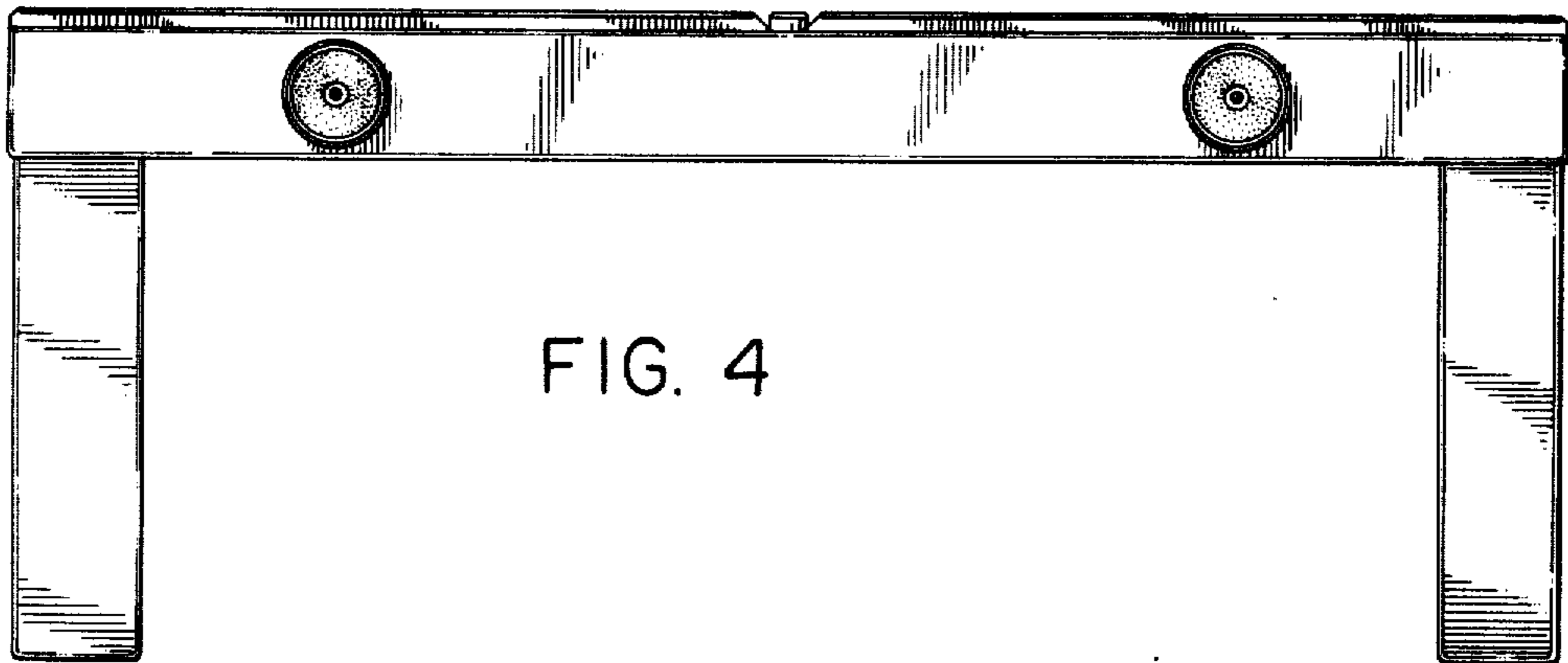


FIG. 5

