

[54] OIL LAMP

[75] Inventor: Donald W. Tendick, Sr., Wauwatosa, Wis.

[73] Assignee: Lamplight Farms, Inc., Brookfield, Wis.

[**] Term: 14 Years

[21] Appl. No.: 305,104

[22] Filed: Sep. 24, 1981

[51] Int. Cl. D26-05

[52] U.S. Cl. D26/63; D26/104

[58] Field of Search D26/63, 37, 93, 104, D26/105, 106, 110, 111, 112, 113, 114, 117; 362/161, 163, 179, 180, 426, 427, 432; 248/180, 182

[56] References Cited

U.S. PATENT DOCUMENTS

- D. 100,397 7/1936 Straus D26/12
- D. 108,610 3/1938 Bartholomew D26/10
- D. 208,420 8/1967 Santarpia D26/11

OTHER PUBLICATIONS

Sears Fall & Winter Catalog, 1959, p. 961, Colonial Milk Glass Lamp #38.

Gifts & Decorative Accessories, 12-1977, p. 56, Wall Mounted Oil Lamp.

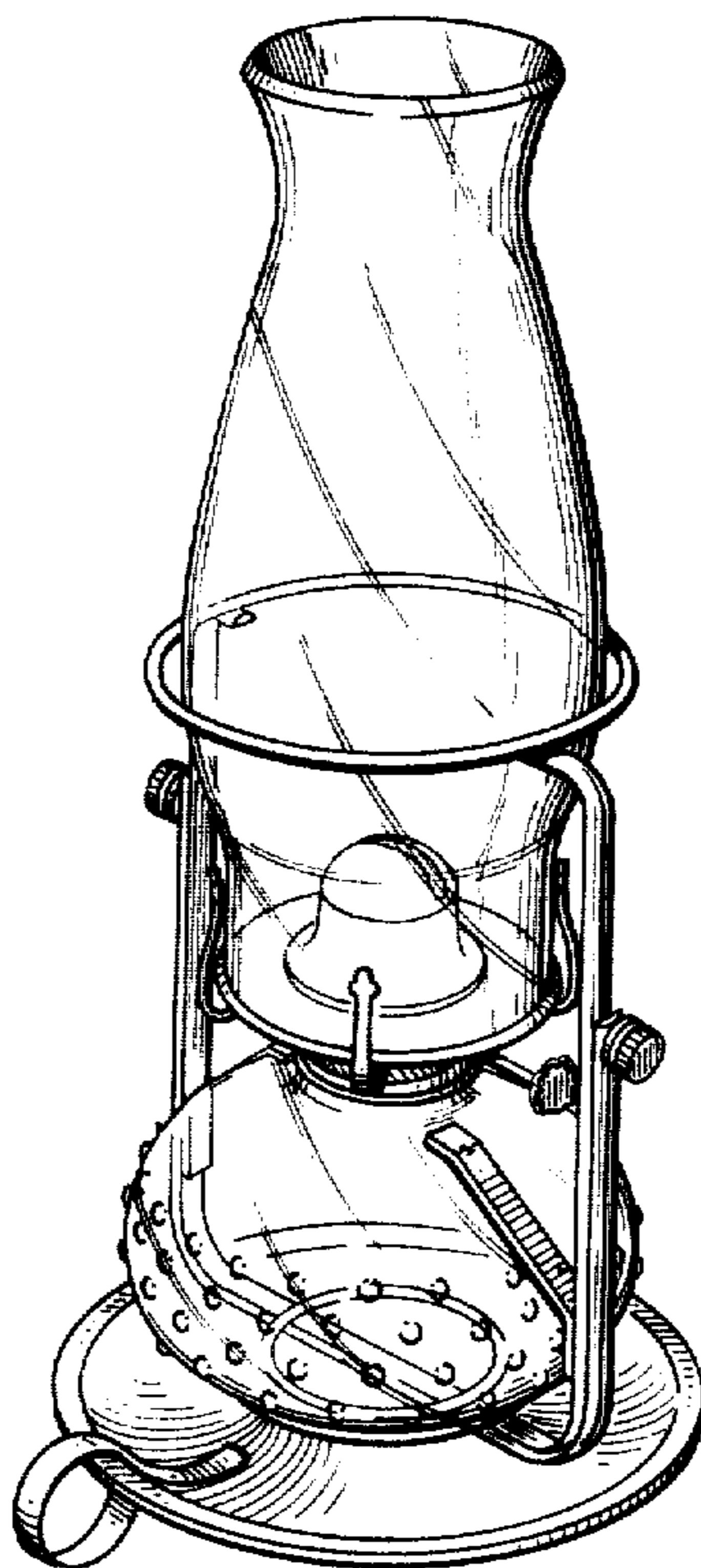
Primary Examiner—Susan J. Lucas
Attorney, Agent, or Firm—Michael, Best & Friedrich

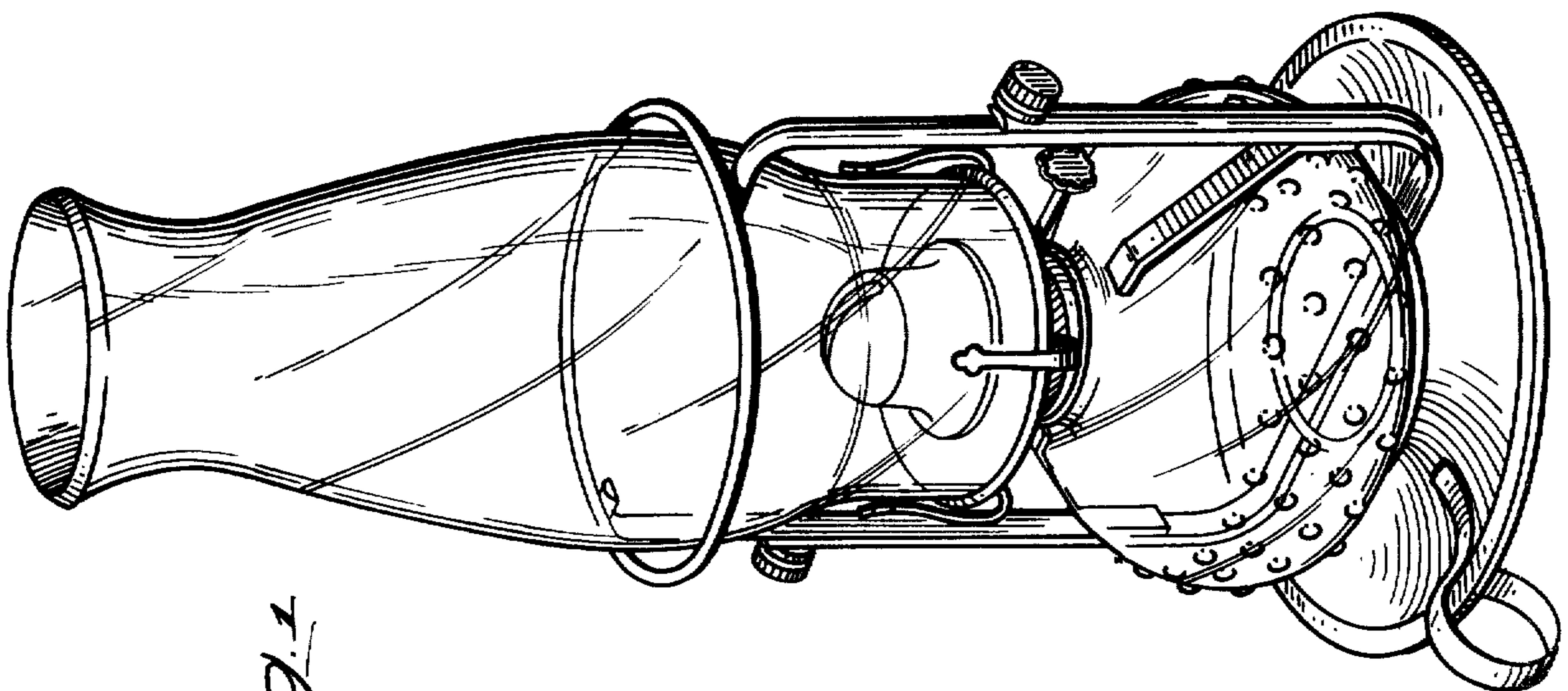
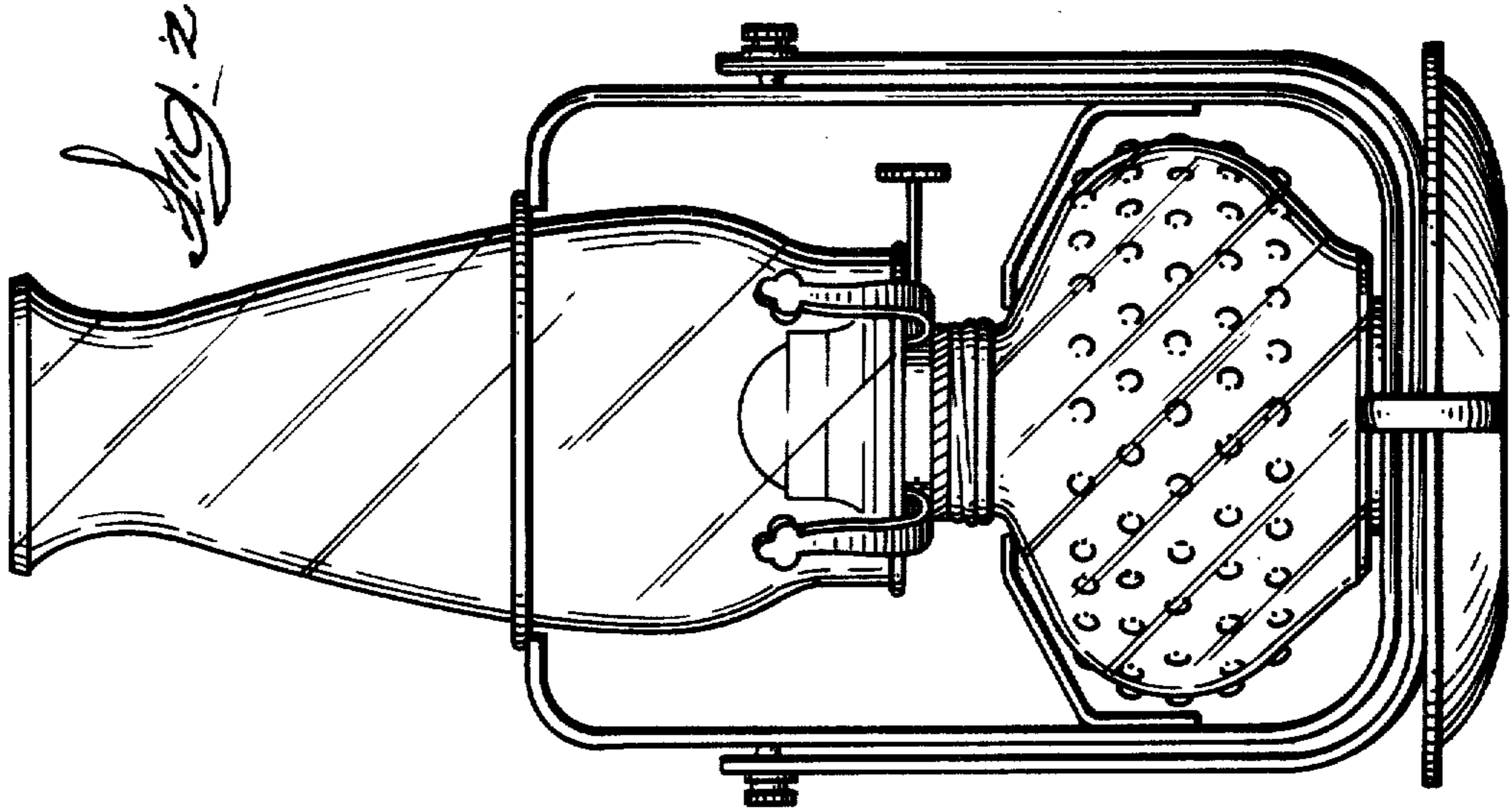
[57] CLAIM

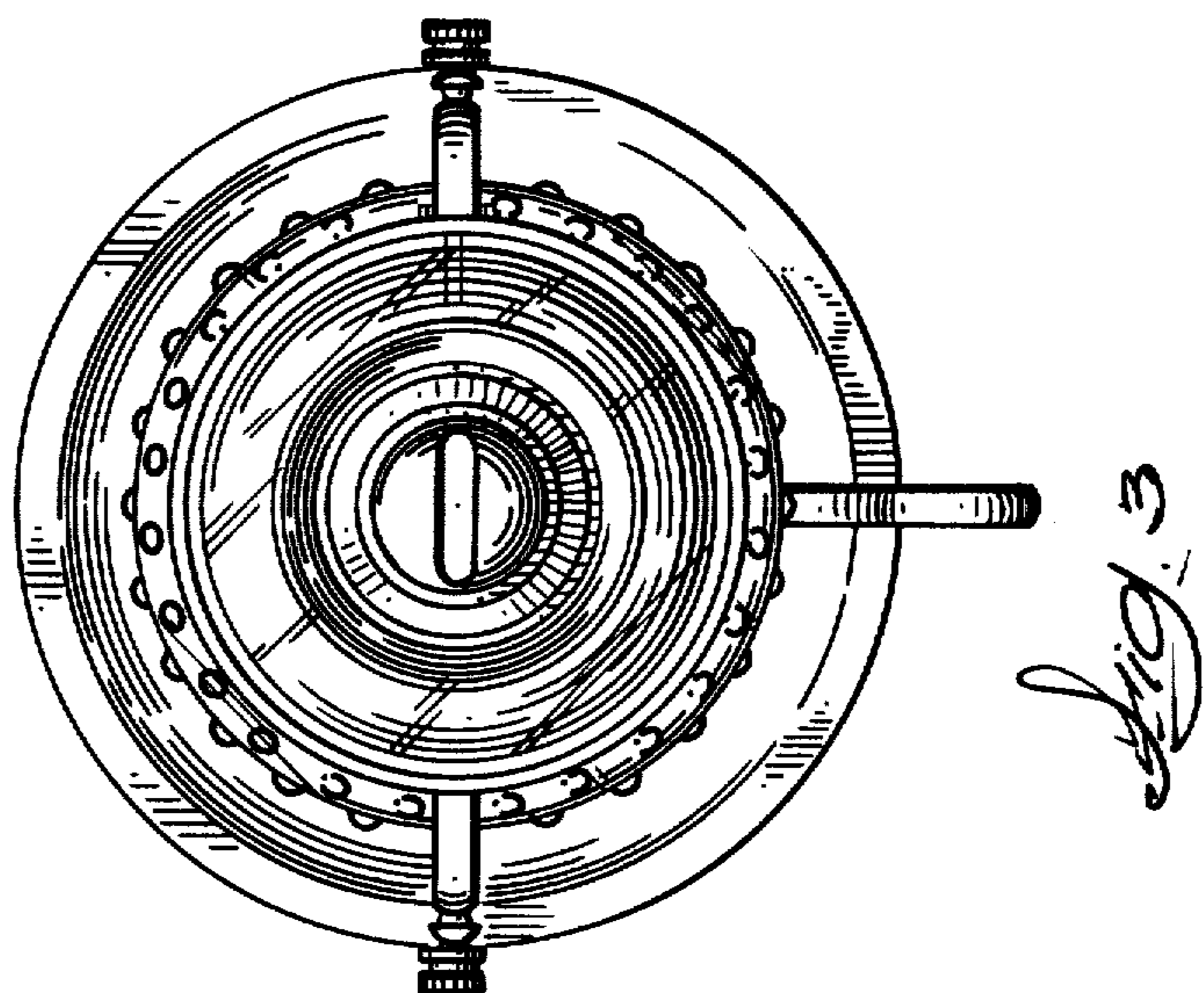
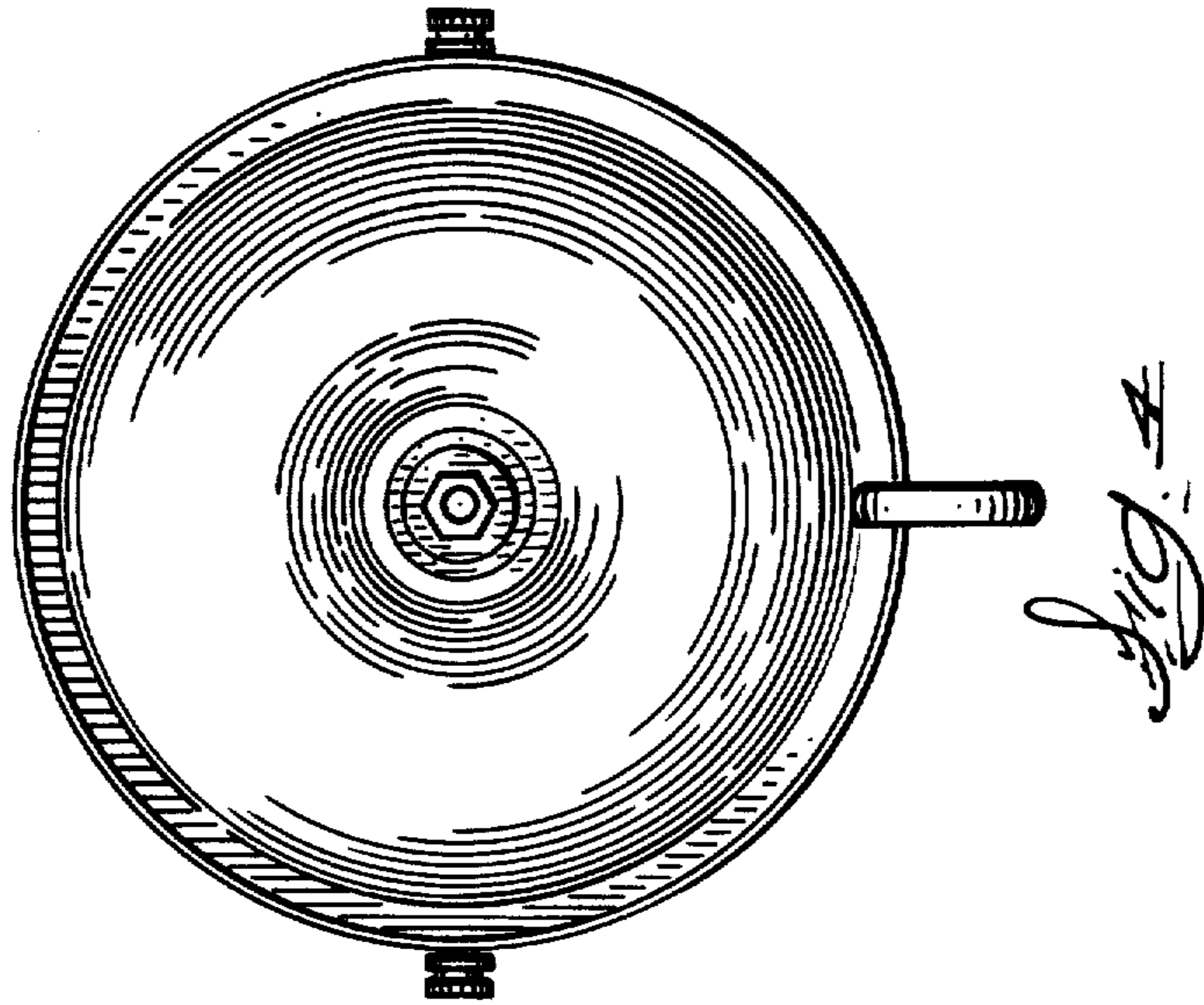
The ornamental design for an oil lamp, as shown and described.

DESCRIPTION

FIG. 1 is a perspective view of an oil lamp showing my new design in one position;
 FIG. 2 is a side elevational view thereof in the position shown in FIG. 1;
 FIG. 3 is a top plan view thereof in the position shown in FIG. 1;
 FIG. 4 is a bottom plan view thereof in the position shown in FIG. 1;
 FIG. 5 is a perspective view of the oil lamp in an alternate position;
 FIG. 6 is a side elevational view thereof in the alternate position shown in FIG. 5;
 FIG. 7 is a top plan view thereof in the alternate position shown in FIG. 5; and
 FIG. 8 is a bottom plan view thereof in the alternate position shown in FIG. 5.







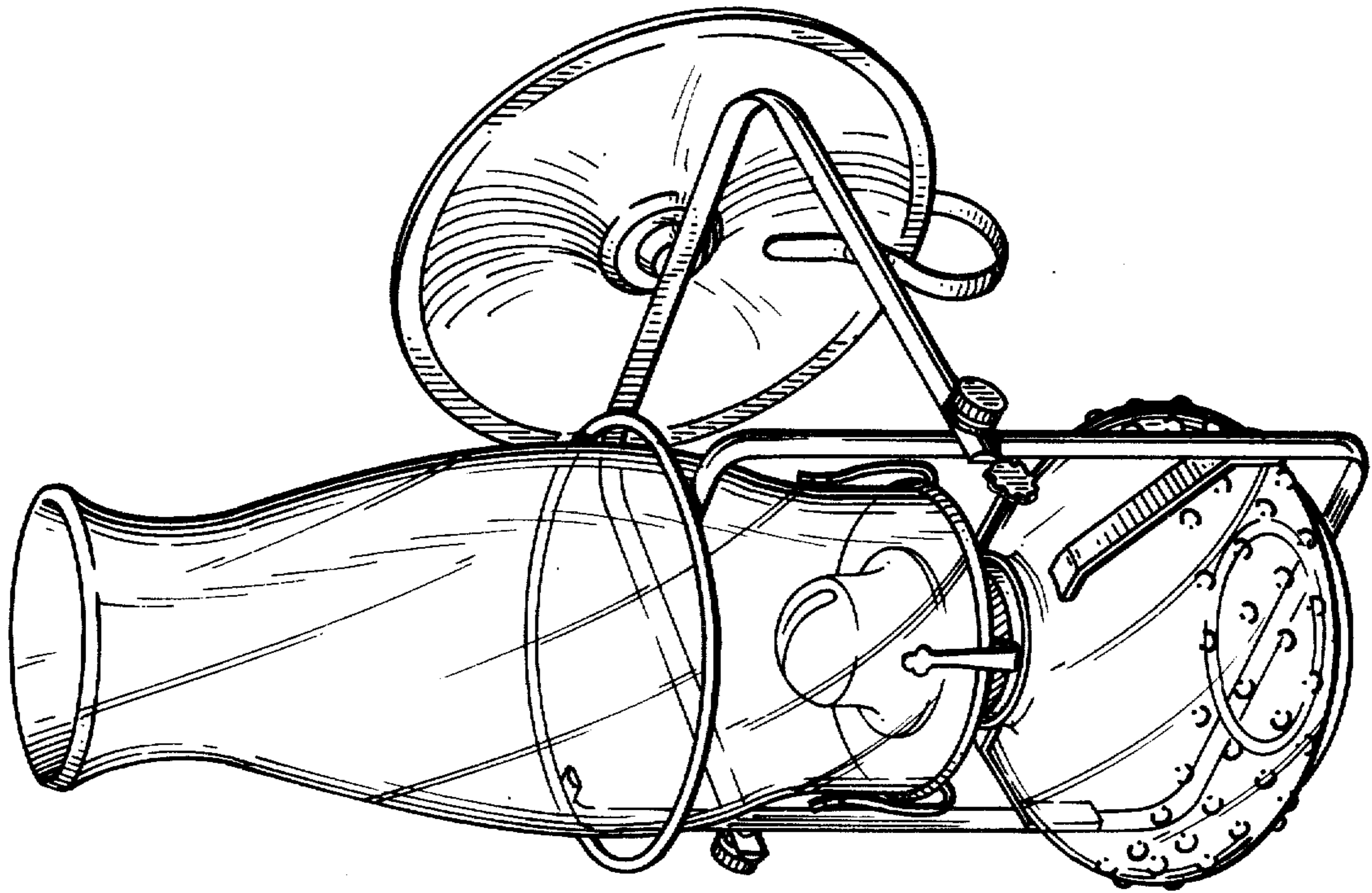
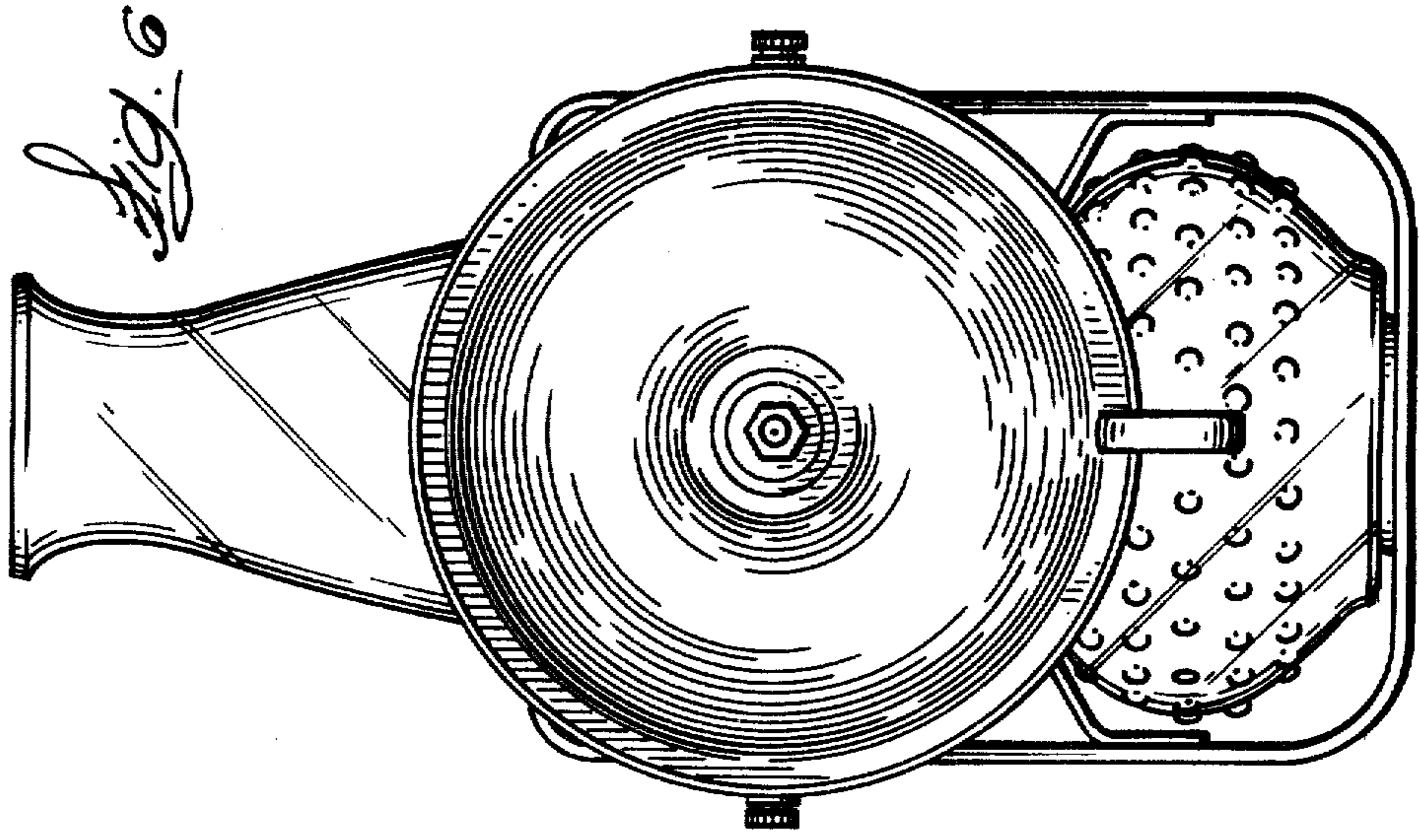


Fig. 5

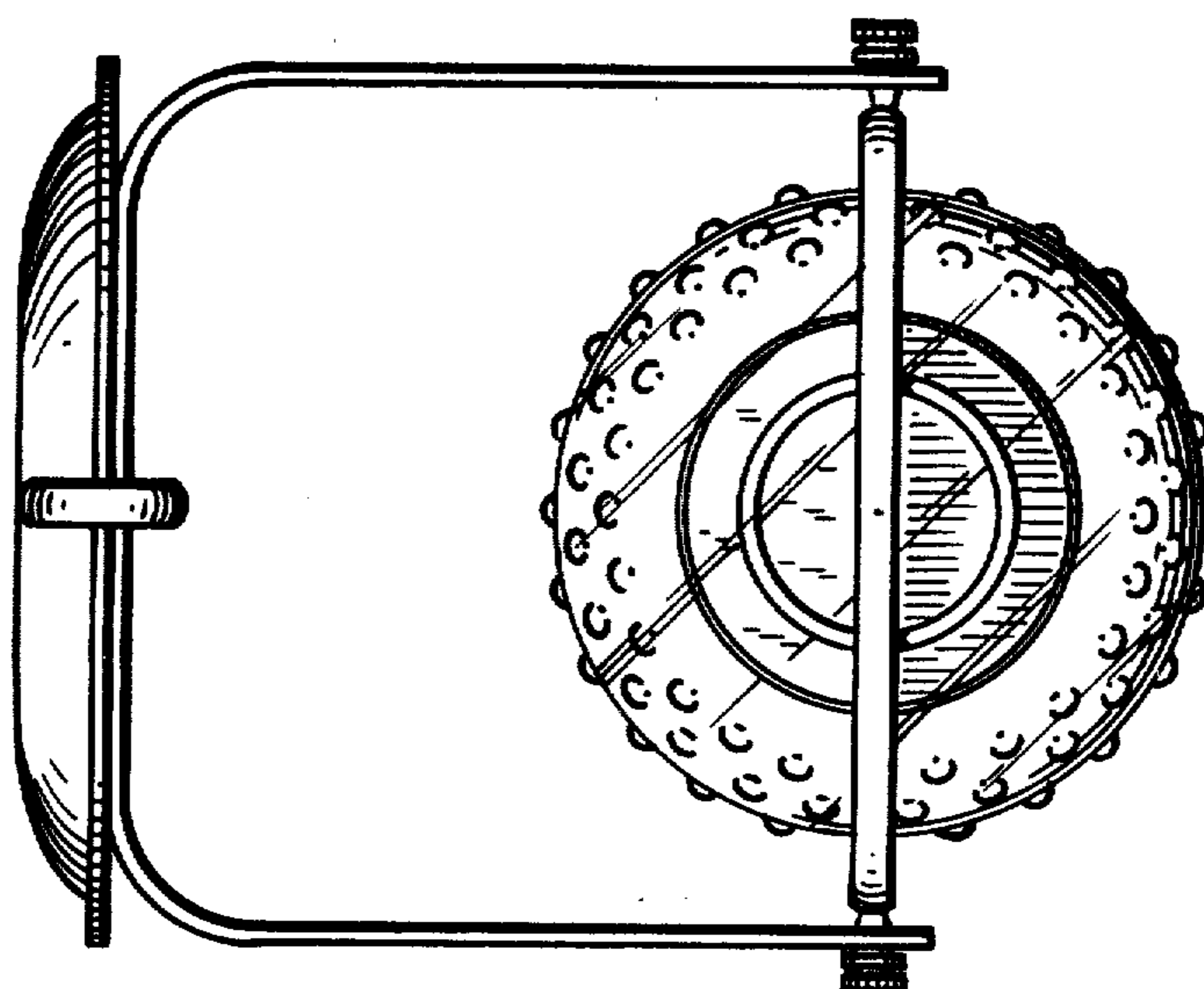


Fig. 8

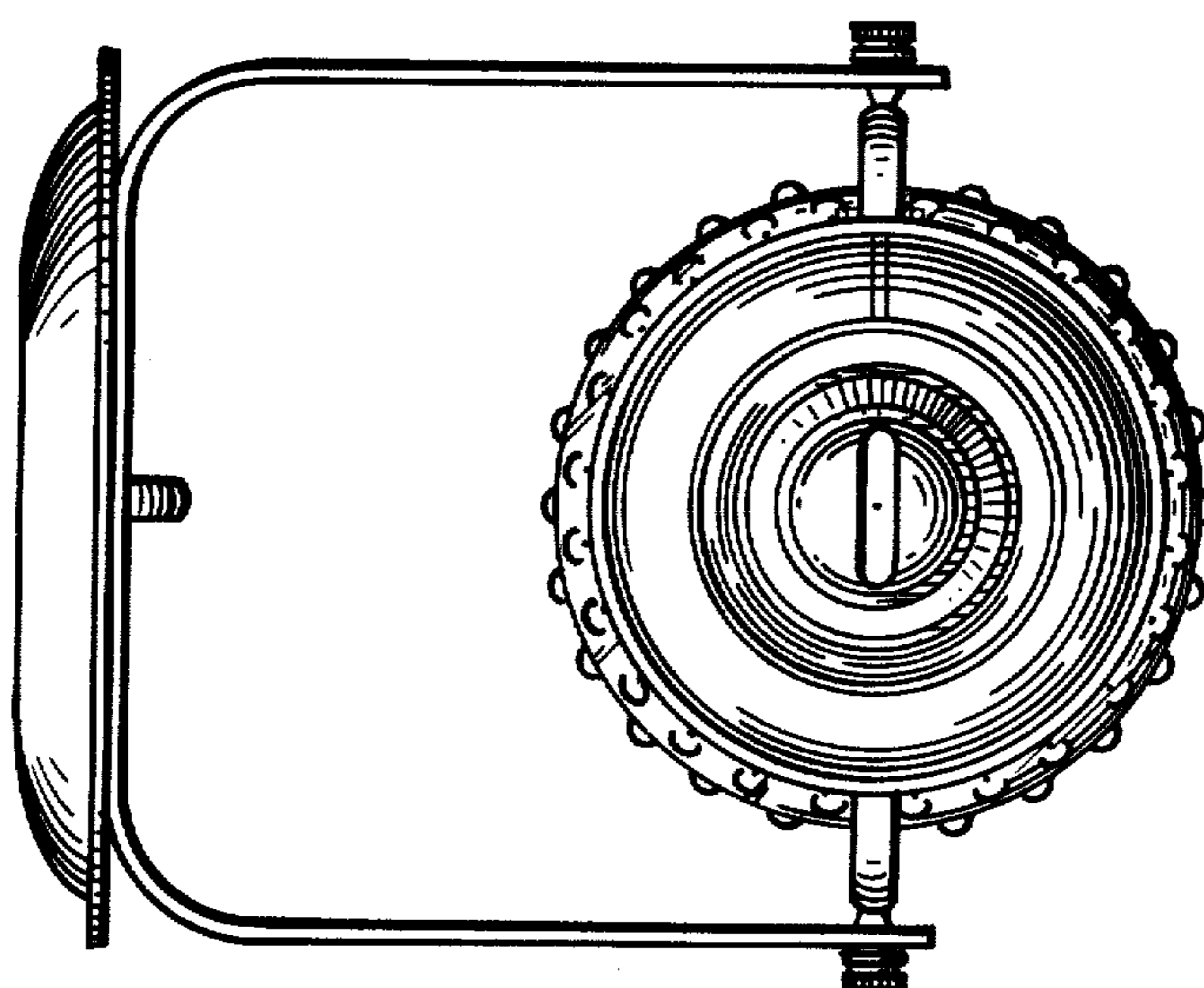


Fig. 7