

[54] ROTARY MIXER FOR PHARMACEUTICAL VIALS

[76] Inventors: Wilton W. Lee, 3578 Twin Oaks Dr.; Larry E. Brown, 4422 Summerfield Dr., both of Napa, Calif. 94558

[\*\*] Term: 14 years

[21] Appl. No.: 196,063

[22] Filed: Oct. 10, 1980

[51] Int. Cl. .... D24-02

[52] U.S. Cl. .... D24/22; D24/8; D24/17

[58] Field of Search ..... 233/26, 25, 6, 7; D24/8, 17, 22

[56] References Cited

U.S. PATENT DOCUMENTS

- D. 193,981 11/1962 Asnes et al. .... D24/22
- D. 205,416 8/1966 Gulotta ..... D24/8 X
- D. 231,981 7/1974 Paulsen ..... D24/22
- D. 244,379 5/1977 Moon ..... D24/10
- D. 259,140 5/1981 Mühlböck et al. .... D24/22
- D. 261,034 9/1981 Armbruster ..... D24/17
- 4,201,335 5/1980 Conn et al. .... 233/26

OTHER PUBLICATIONS

Cole-Parmer Instrument Co., 1977-1978, p. 221, Labquake Tube Shaker, p. 224 "Roto-Torque Rotator", Item No. 7637.

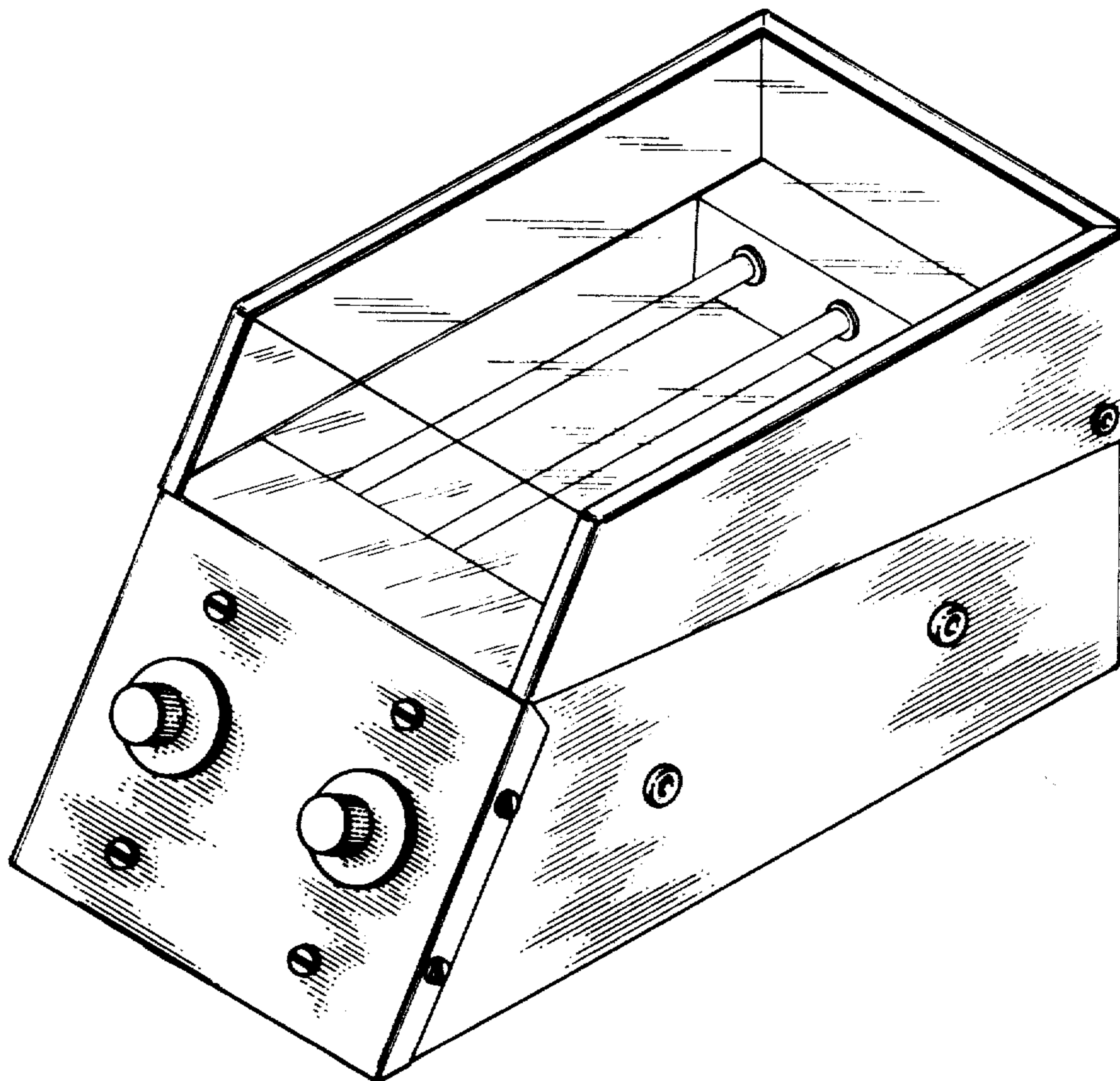
Primary Examiner—Bernard Ansher  
Attorney, Agent, or Firm—Lothrop & West

[57] CLAIM

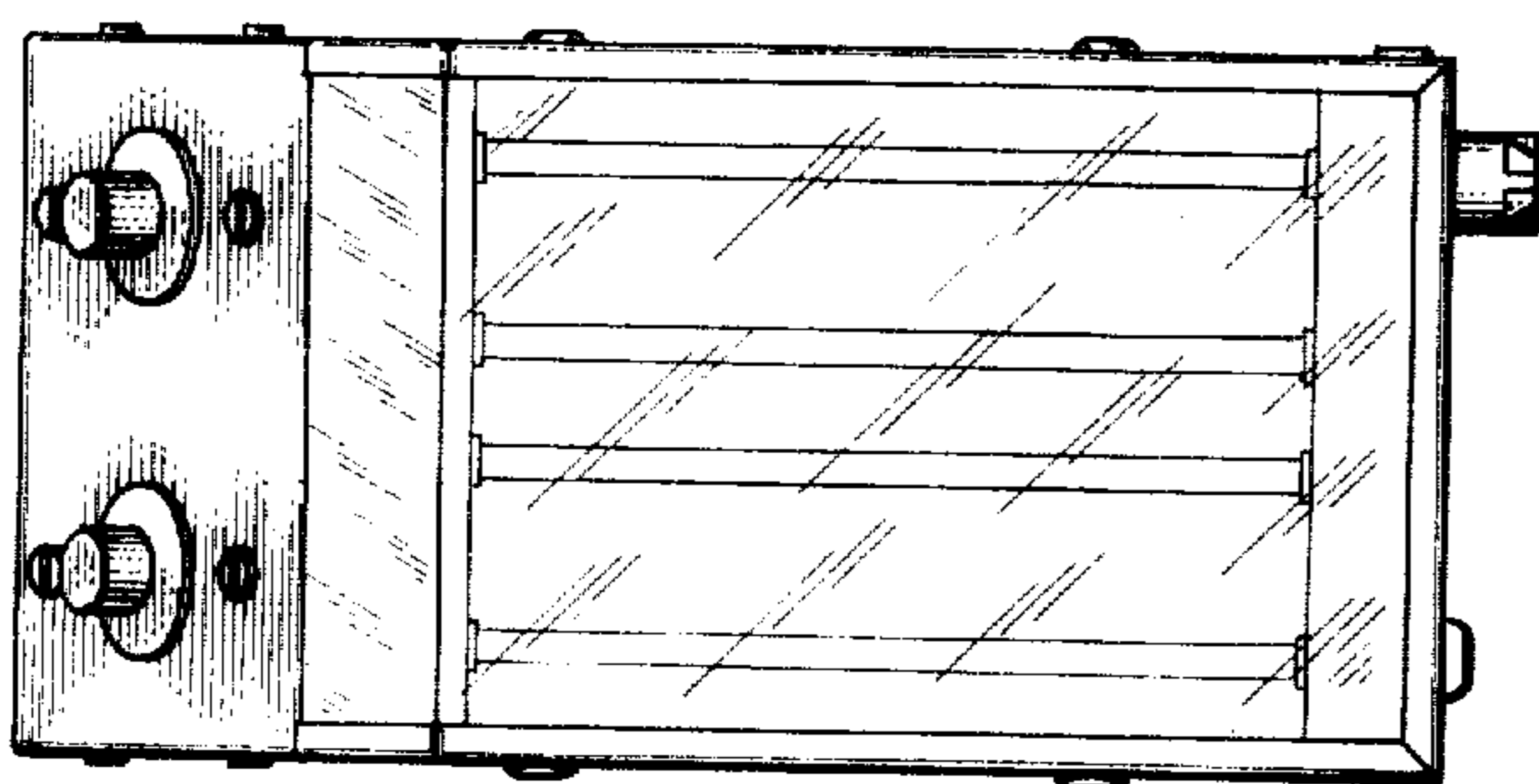
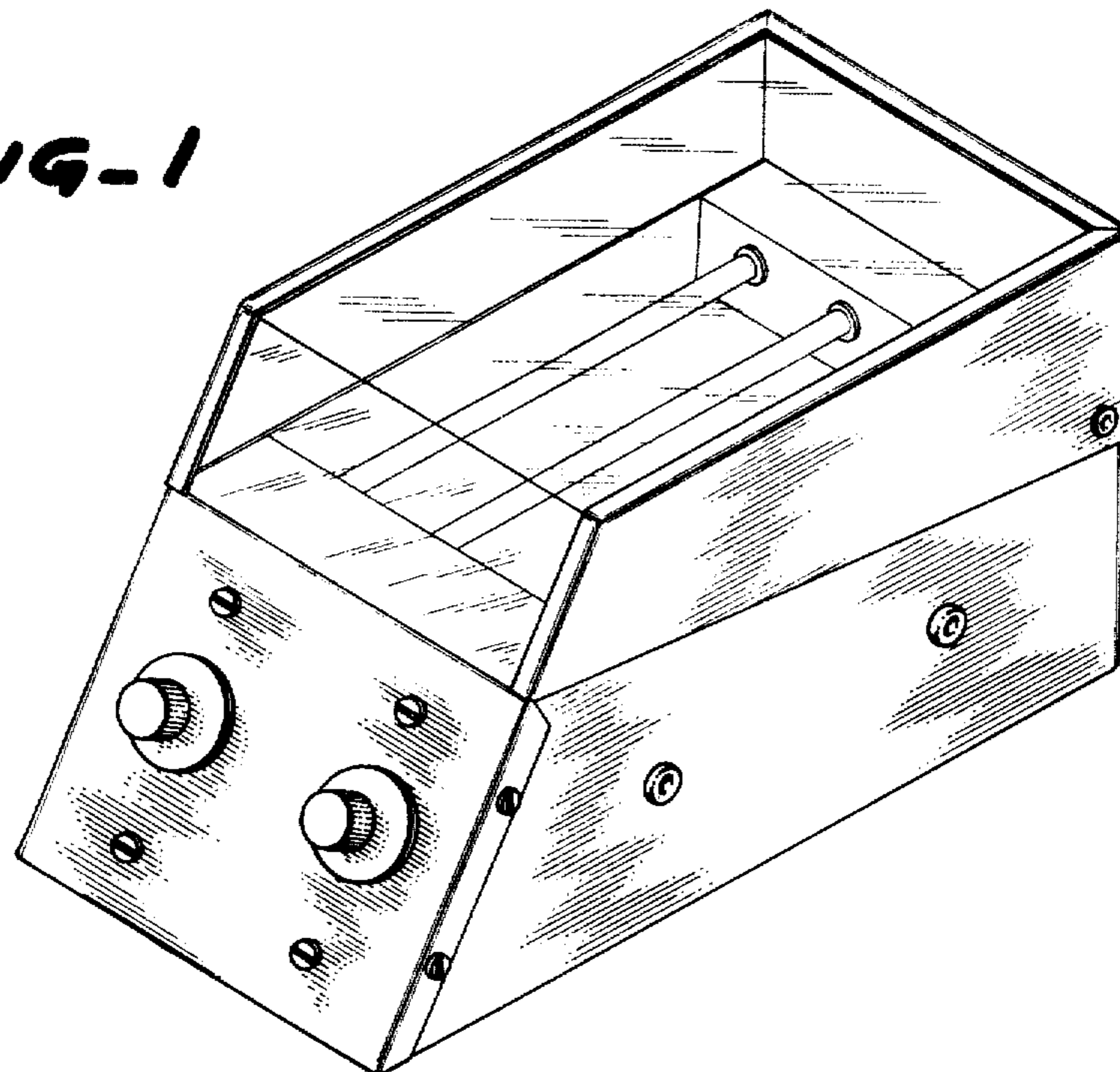
The ornamental design for a rotary mixer for pharmaceutical vials, as shown and described.

DESCRIPTION

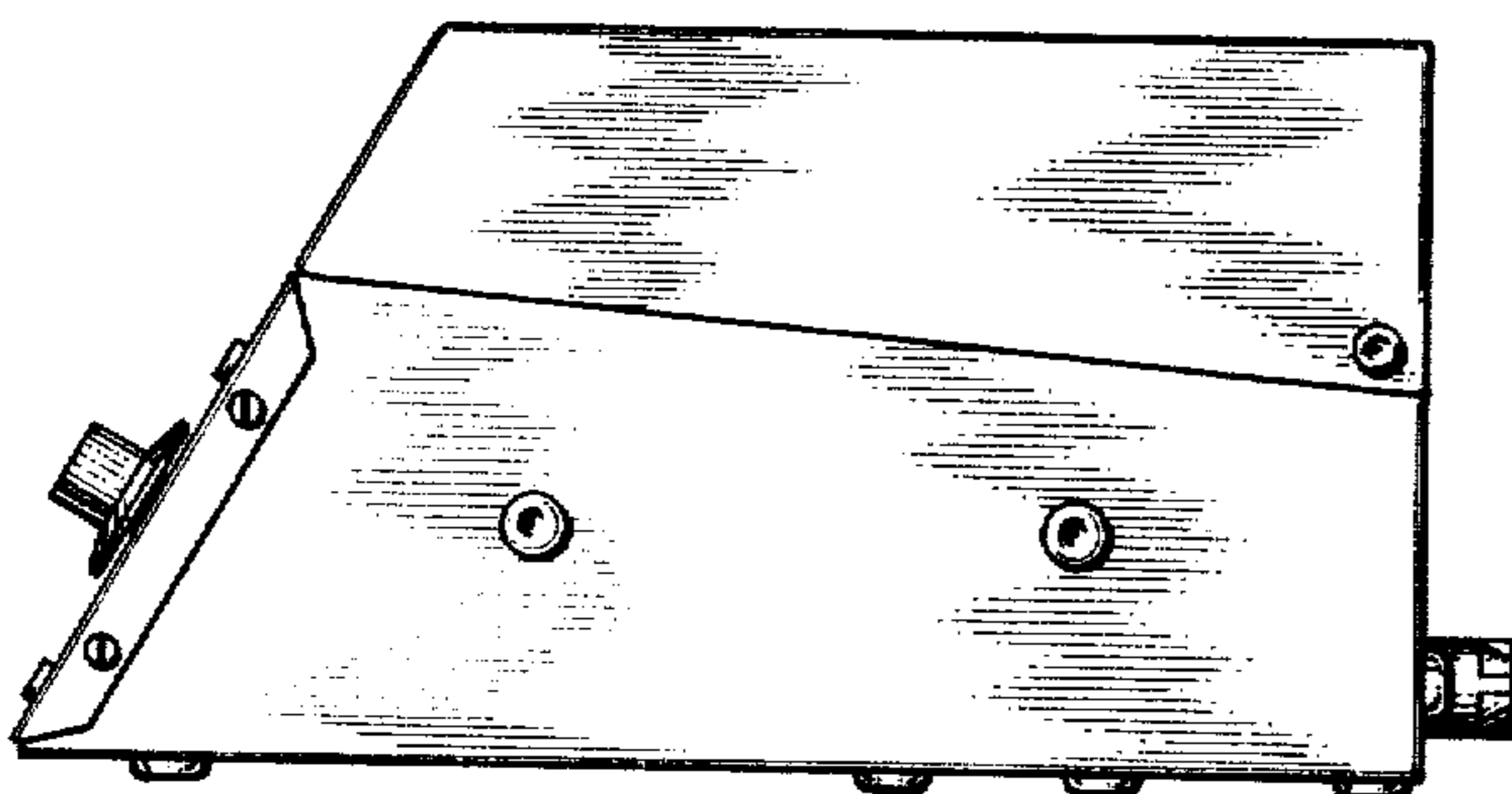
FIG. 1 is a right front perspective of a rotary mixer for pharmaceutical vials, showing our new design; FIG. 2 is a top plan view; FIG. 3 is an elevational view of one side, the other side elevational view being substantially a mirror image thereof; FIG. 4 is a rear elevational view; FIG. 5 is a bottom plan view; FIG. 6 is a front elevational view; and, FIG. 7 is a side elevational view with the top cover, having top and front transparent viewing panels, being raised into a position for loading or unloading the vials.



**FIG-1**

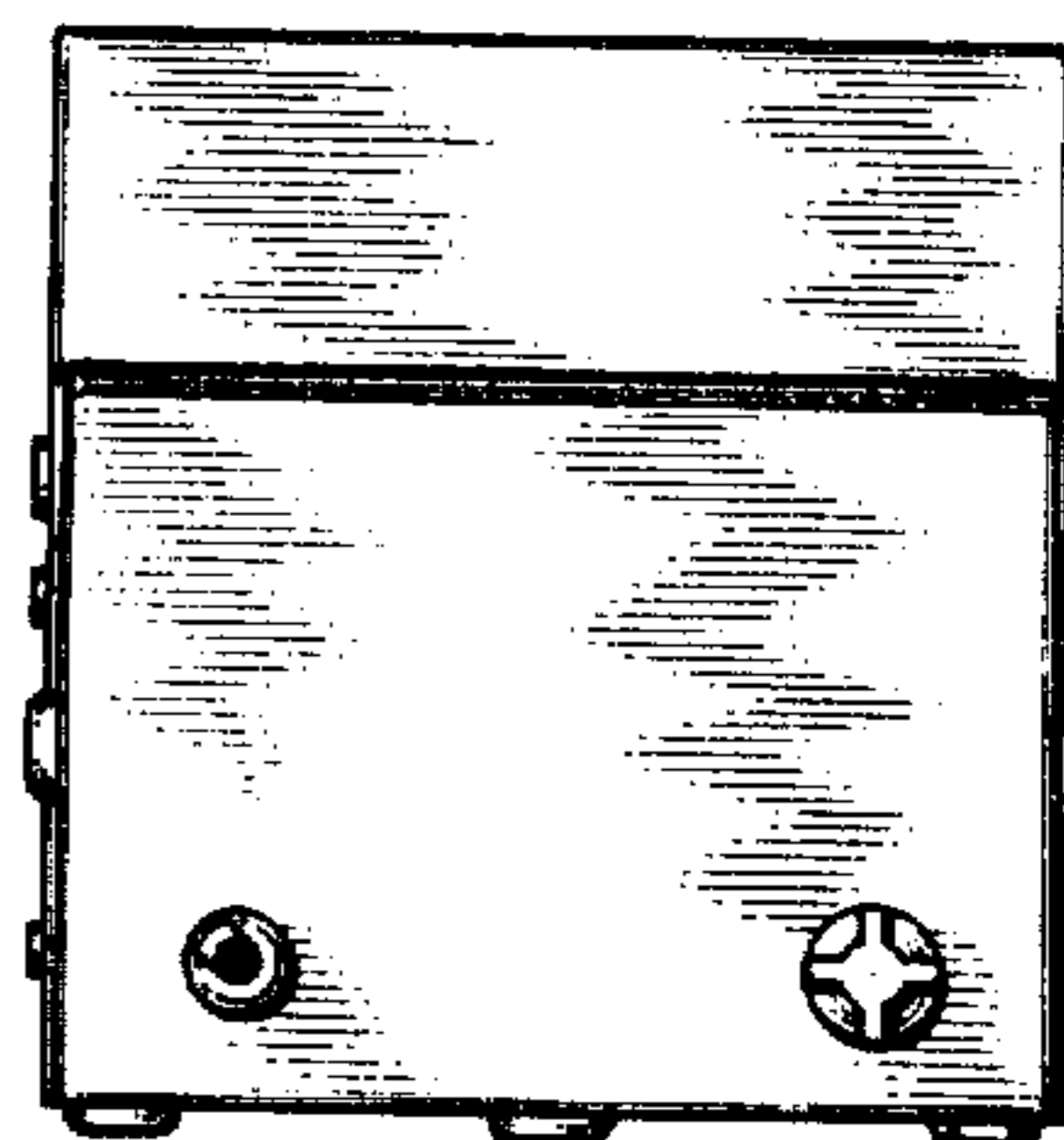


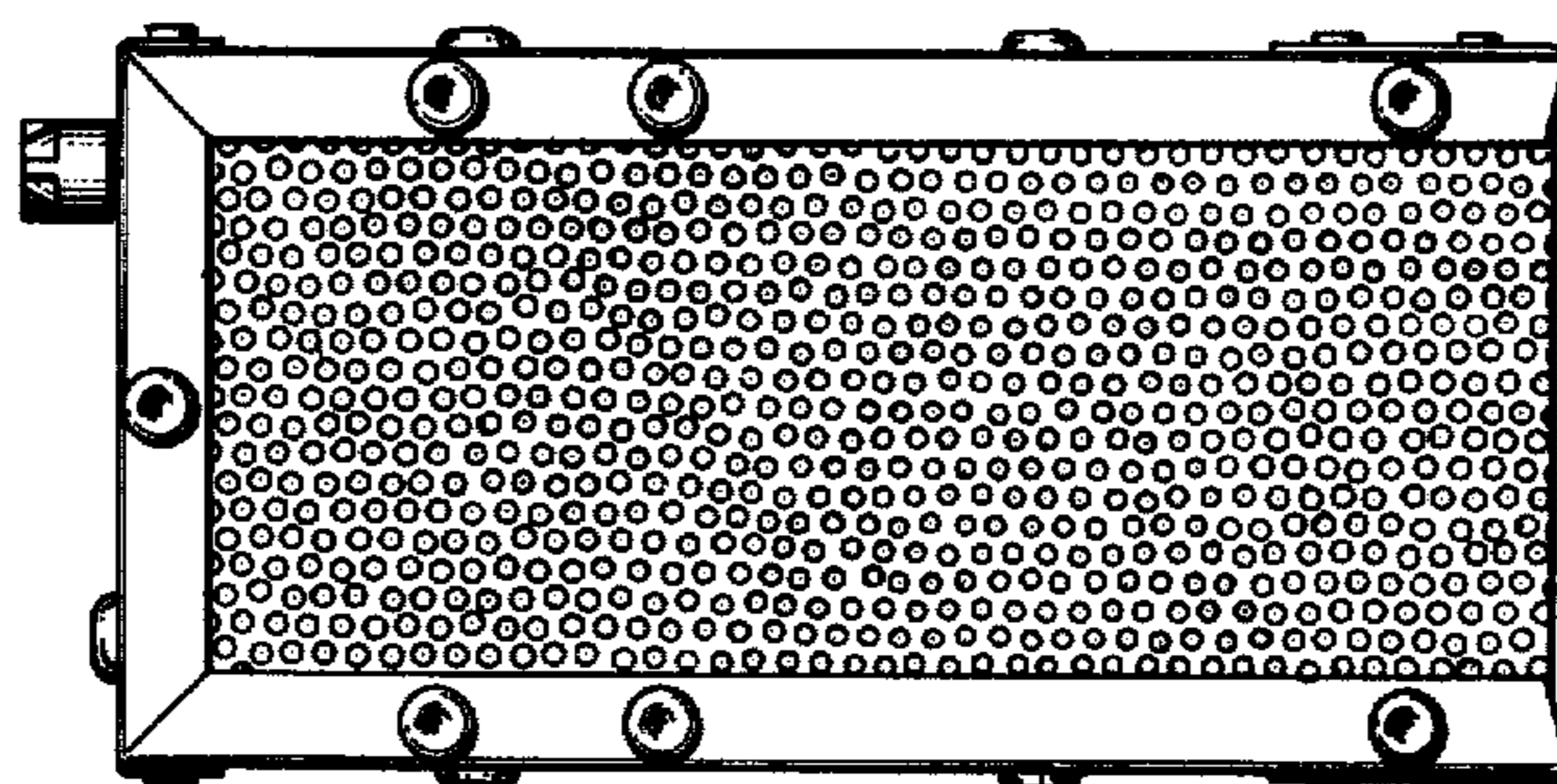
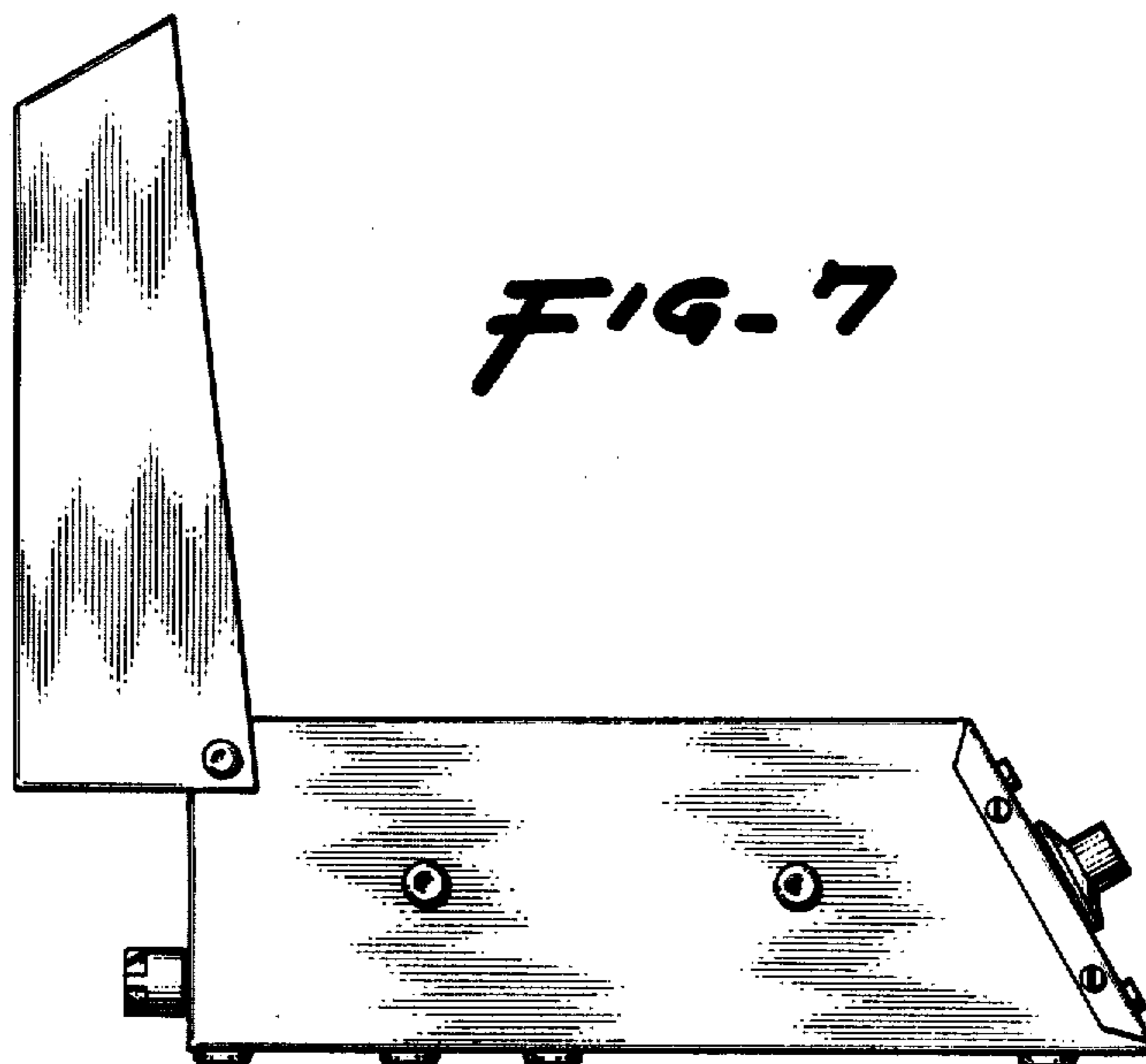
**FIG-2**



**FIG-3**

**FIG-4**





*FIG-6*

