

[54] **SPRAY GUN**
 [75] Inventor: **Thomas E. Grime**, Temperance, Mich.
 [73] Assignee: **Champion Spark Plug Company**, Toledo, Ohio
 [**) Term: **14 years**
 [21] Appl. No.: **269,348**
 [22] Filed: **Jun. 1, 1981**
 [51] Int. Cl. **D23-01**
 [52] U.S. Cl. **D23/18**
 [58] Field of Search **D23/17, 18; 239/290, 239/310, 318, 337, 428.5, 436, 525, 526**

3,361,300 1/1968 Kaplan 239/526 X
 3,637,142 1/1972 Gassaway .
 3,827,635 8/1974 Krakowski et al. .
 3,829,023 8/1974 Bovillard et al. 239/318

OTHER PUBLICATIONS

DeVilbiss-Literature on Duster Gun made in Japan.
 Briar Industries, Inc., Thunder Gun Power Washer Owner's Manual.

Primary Examiner—James R. Largen
 Attorney, Agent, or Firm—Emch, Schaffer & Schaub

[57] **CLAIM**

The ornamental design for a spray gun, substantially as shown and described.

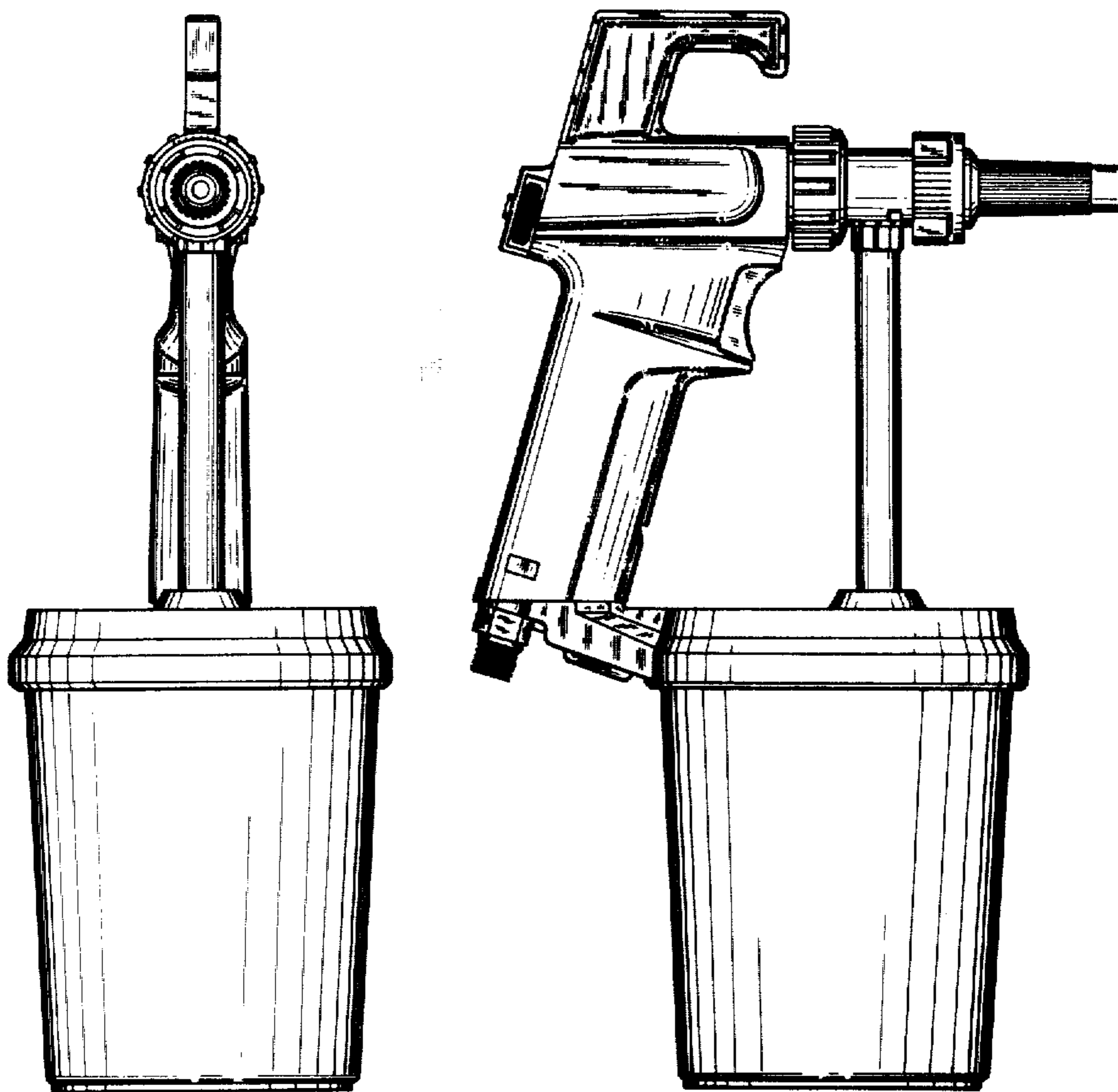
References Cited

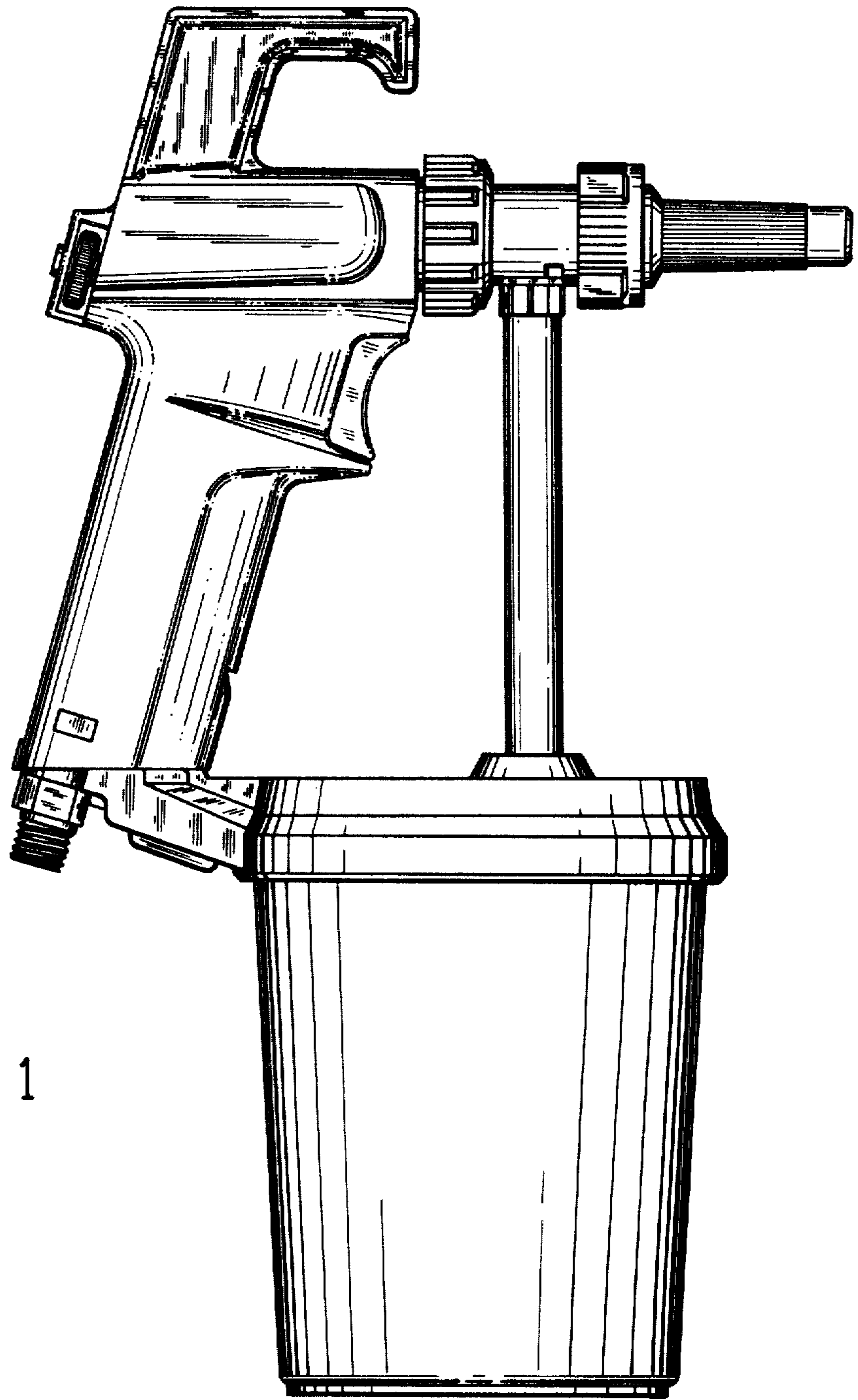
U.S. PATENT DOCUMENTS

D. 133,395 8/1942 Tammen D23/18
 D. 235,544 6/1975 Bippus et al. D23/18
 1,409,220 3/1922 Leighty et al. .
 1,460,622 7/1923 Drager et al. .
 2,596,191 5/1952 Windhom, Jr. 239/526 X
 3,131,868 5/1964 Coleman .
 3,208,673 9/1965 Kautz .

DESCRIPTION

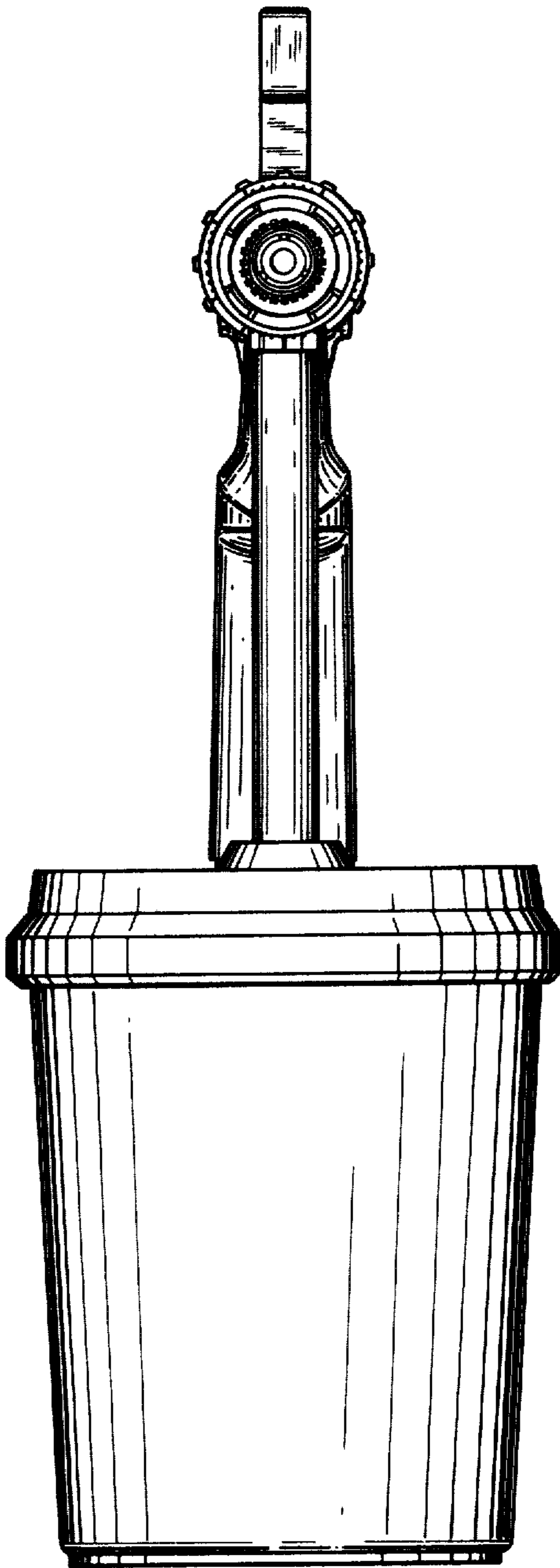
FIG. 1 is a side elevational view of a spray gun showing my new design, the opposite side being a mirror image of the side shown;
 FIG. 2 is a front elevational view thereof;
 FIG. 3 is a rear elevational view thereof;
 FIG. 4 is a top plan view thereof; and
 FIG. 5 is a bottom plan view thereof.

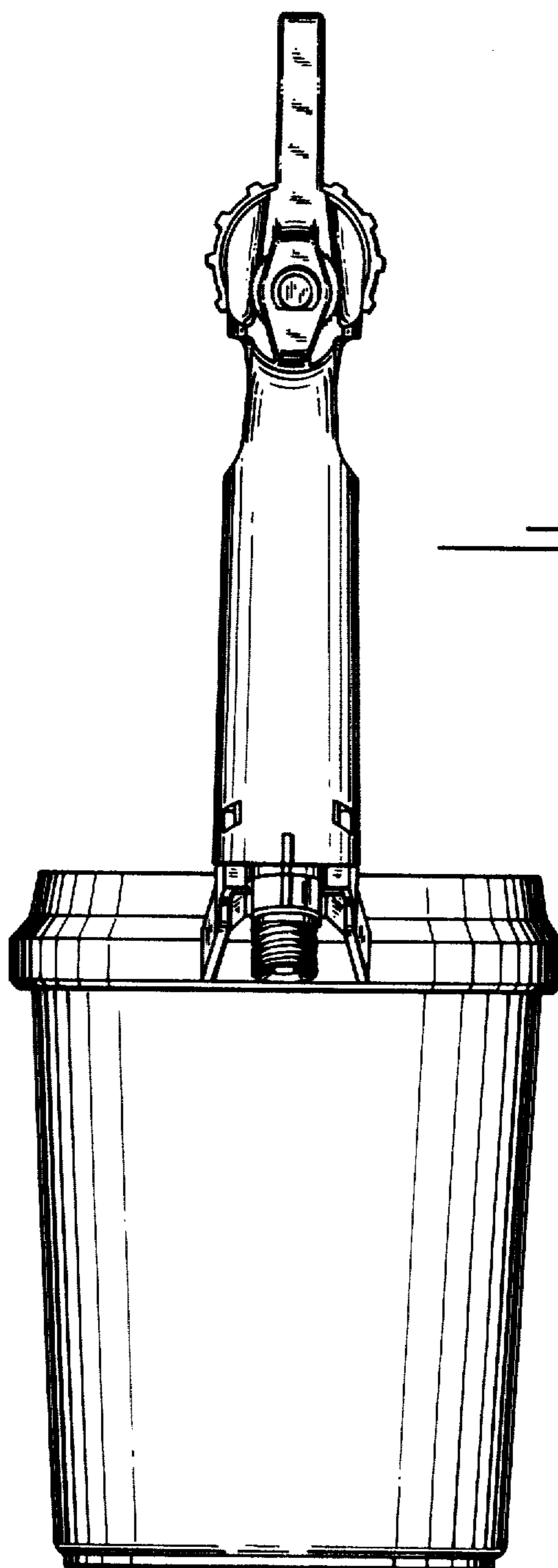




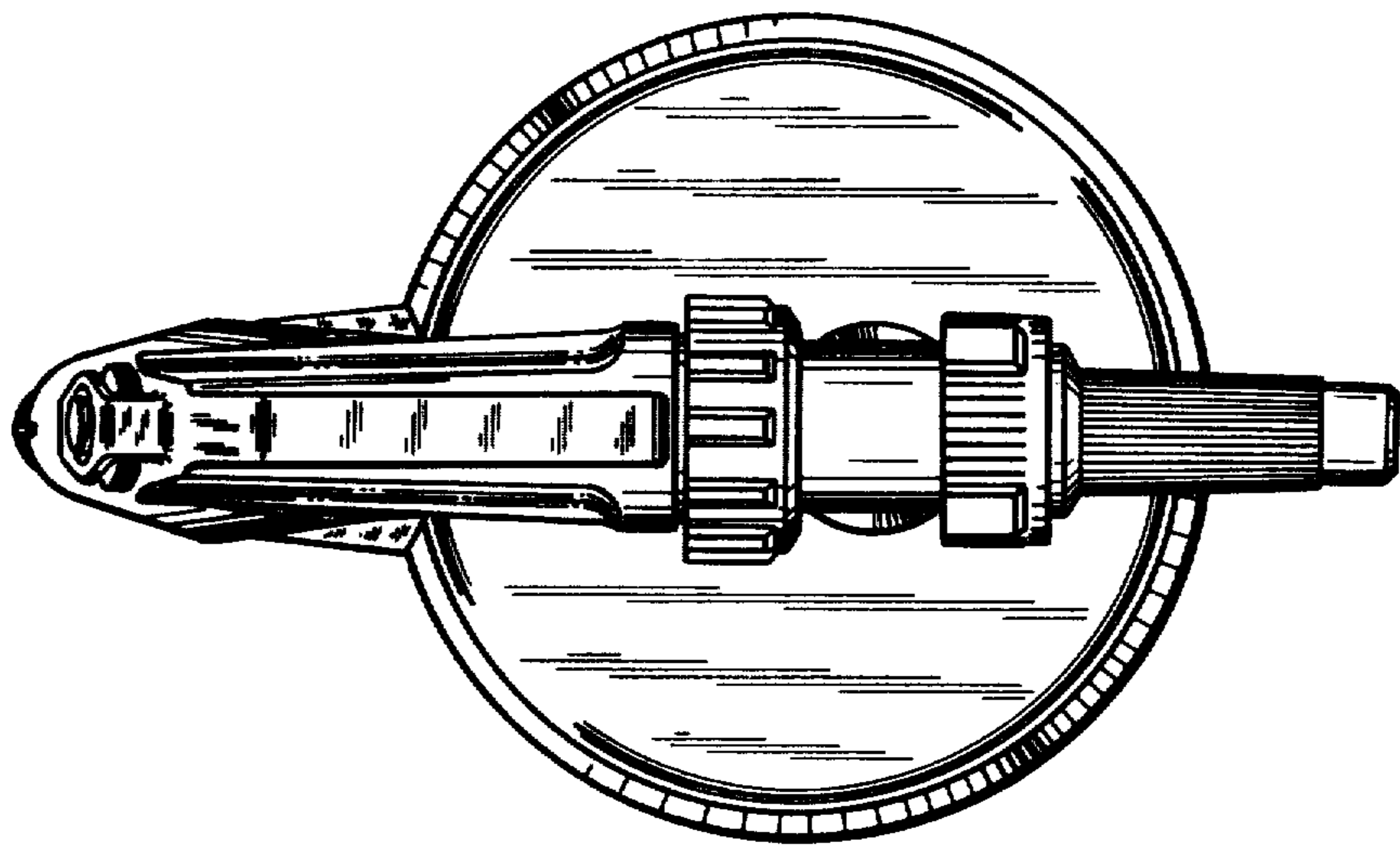
—FIG. 1

— FIG. 2

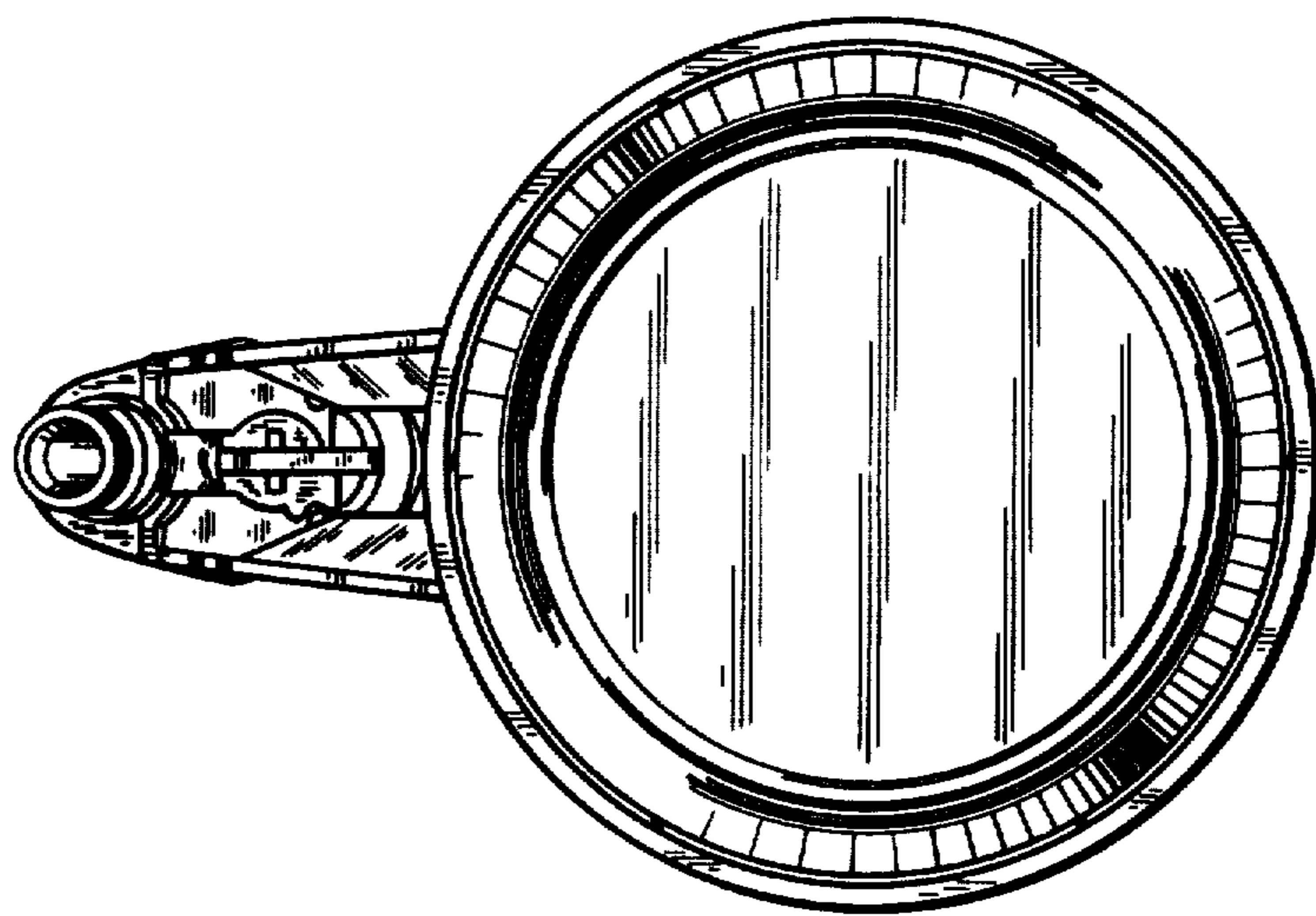




— FIG. 3



—FIG. 4



—FIG. 5