

[54] **SIGNAL DEVICE FOR FISHING RODS**
 [75] **Inventor: Terrance R. Barnes, McLoud, Okla.**
 [73] **Assignee: Barnes Industries, Inc., Oklahoma City, Okla.**
 [**] **Term: 14 years**
 [21] **Appl. No.: 262,342**
 [22] **Filed: May 11, 1981**

3,453,767	7/1971	Lake et al.	43/17
3,561,536	3/1971	Sparks	200/60
3,680,244	8/1972	Cala	43/17
3,702,513	11/1972	Watts	43/17
3,740,888	6/1973	Young, Jr.	43/17
3,868,668	2/1975	Woodbury	340/279
3,881,270	5/1975	Olcott	43/17
3,959,910	6/1976	Montgomery	43/17
3,992,797	11/1976	Kazakevich	43/17
4,020,578	5/1977	Hope	43/17
4,266,217	5/1981	Kao	43/17 X

[51] **Int. Cl. D22-05**
 [52] **U.S. Cl. D22/23**
 [58] **Field of Search 340/573, 668; 43/17, 43/25, 26; 200/61.13, 61.14; D22/23**

FOREIGN PATENT DOCUMENTS

1550913	8/1979	United Kingdom	43/17
---------	--------	----------------	-------

Primary Examiner—A. Hugo Word
Attorney, Agent, or Firm—Dunlap & Codding

[56] **References Cited**
U.S. PATENT DOCUMENTS

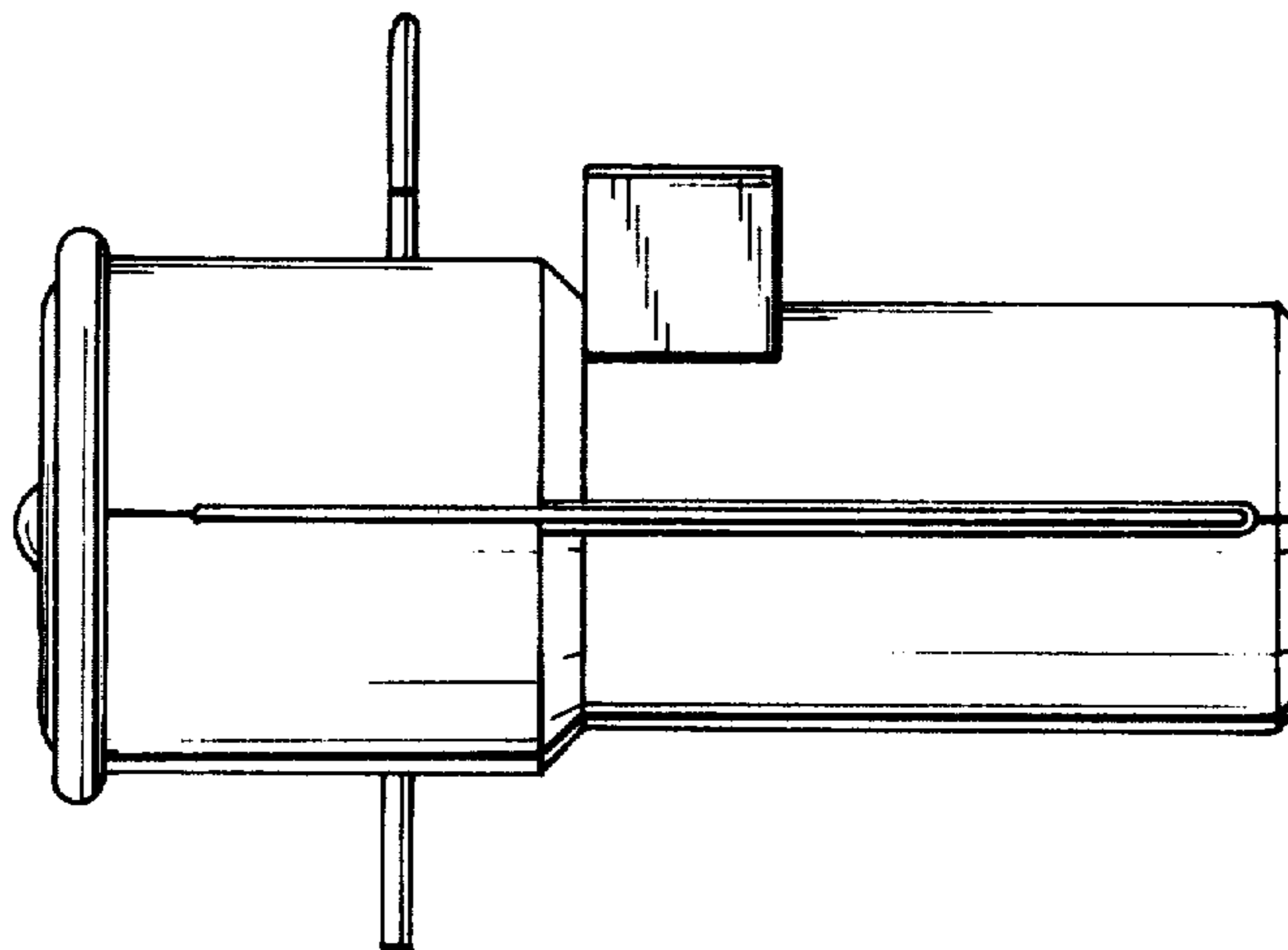
2,195,692	4/1940	Bushey	43/17
2,506,370	4/1950	Levda	43/17
2,634,638	4/1953	Krag	
2,772,407	11/1956	Nichols	340/213
2,858,635	11/1958	Haeusler	43/17
2,948,076	8/1960	Patricello	43/17
3,027,675	4/1962	Parsons	43/17
3,063,185	11/1962	Dinger	43/17
3,091,881	6/1963	Evans	43/17
3,148,473	9/1964	Miller	43/17
3,283,438	11/1966	Wagner	43/17
3,315,401	4/1967	Wagner	43/25
3,364,610	1/1968	Poole	43/17
3,440,754	4/1969	Slama et al.	43/17

[57] **CLAIM**

The ornamental design for a signal device for fishing rods, as shown and described.

DESCRIPTION

FIG. 1 is a side elevational view of a signal device for fishing rods showing my new design;
 FIG. 2 is an elevational view of the opposite side thereof;
 FIG. 3 is a top plan view thereof;
 FIG. 4 is a bottom plan view thereof;
 FIG. 5 is an end elevational view thereof; and
 FIG. 6 is an elevational view of the opposite end thereof.



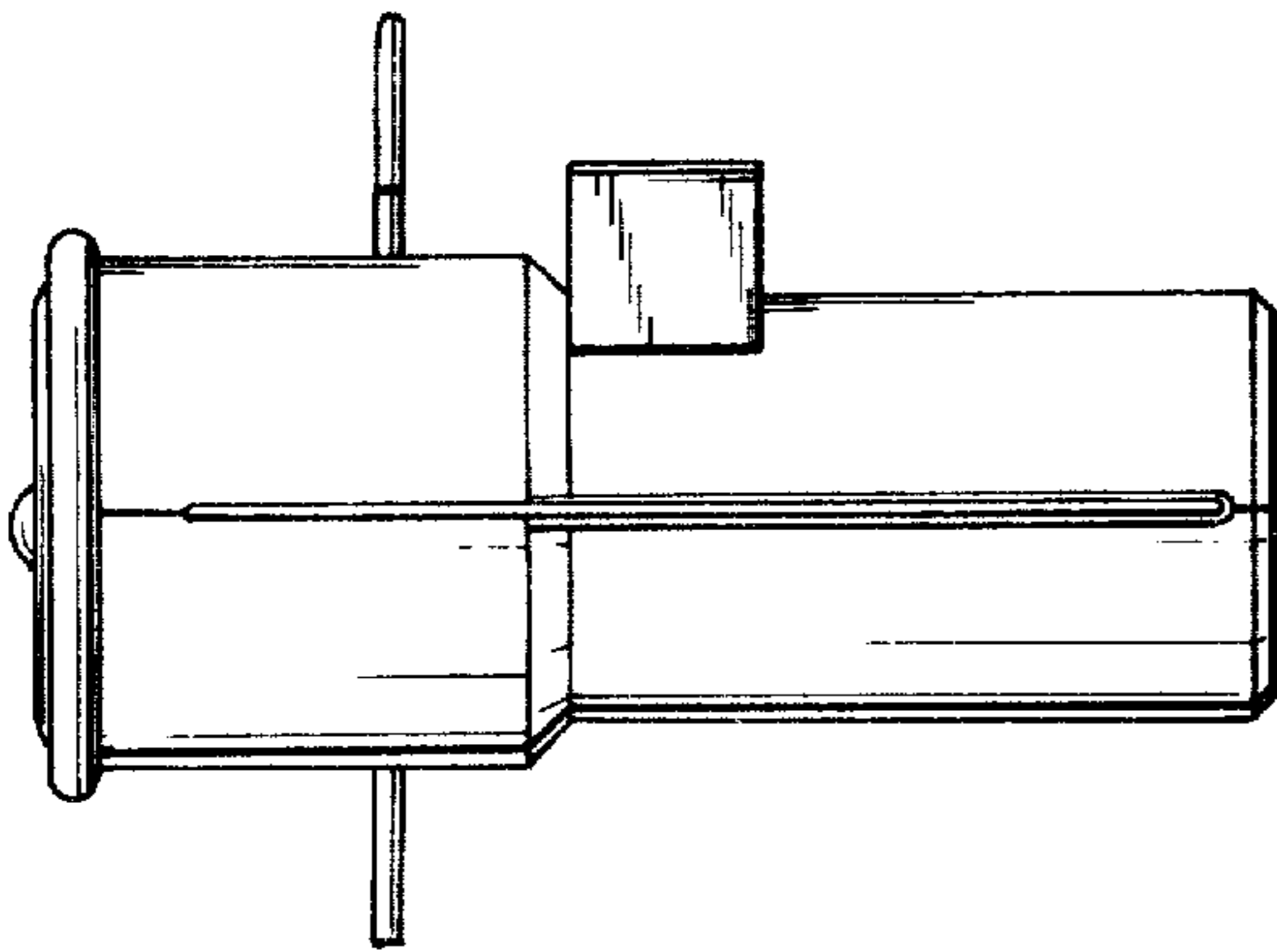


FIG. 1

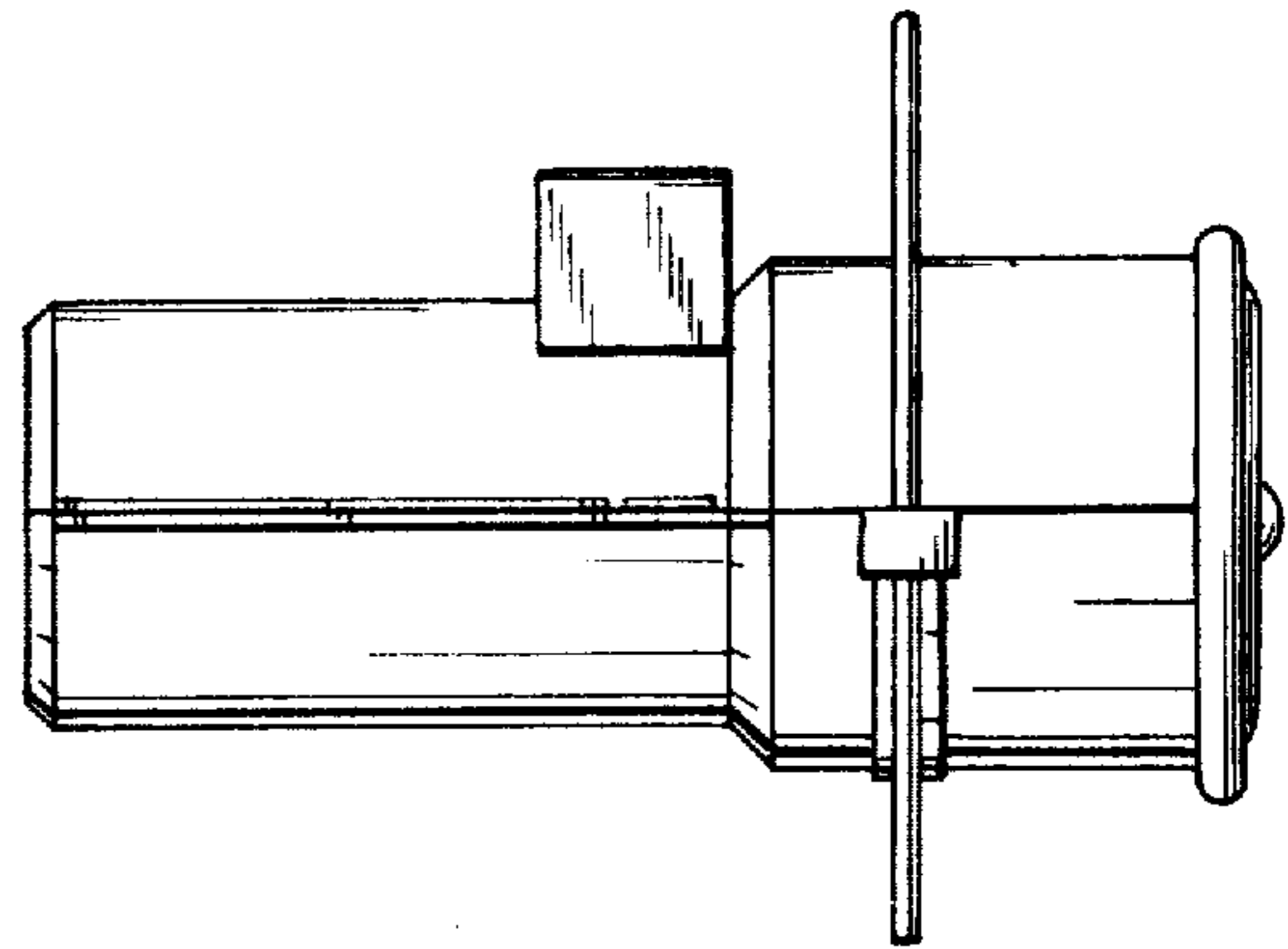


FIG. 2

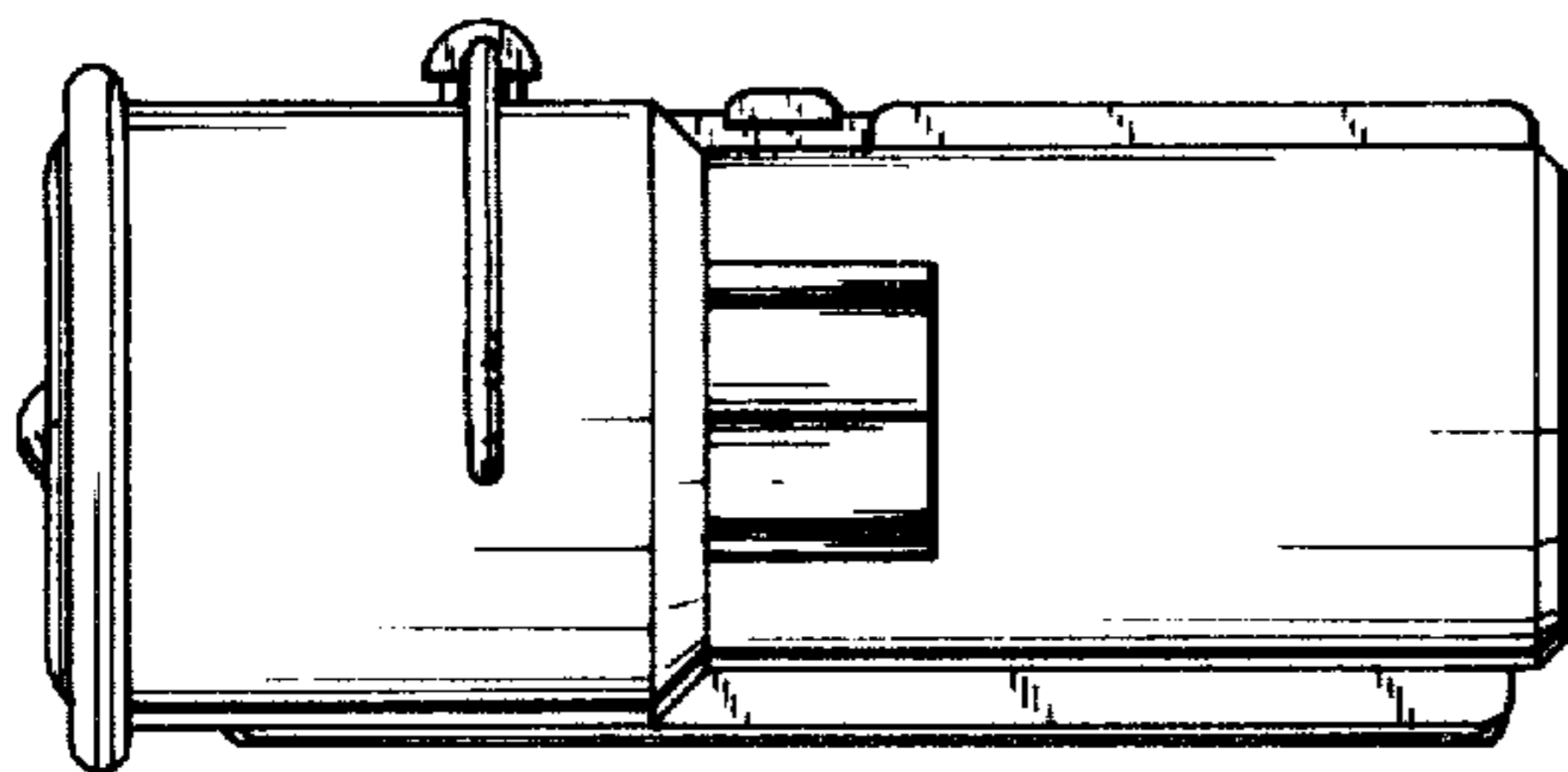


FIG. 3

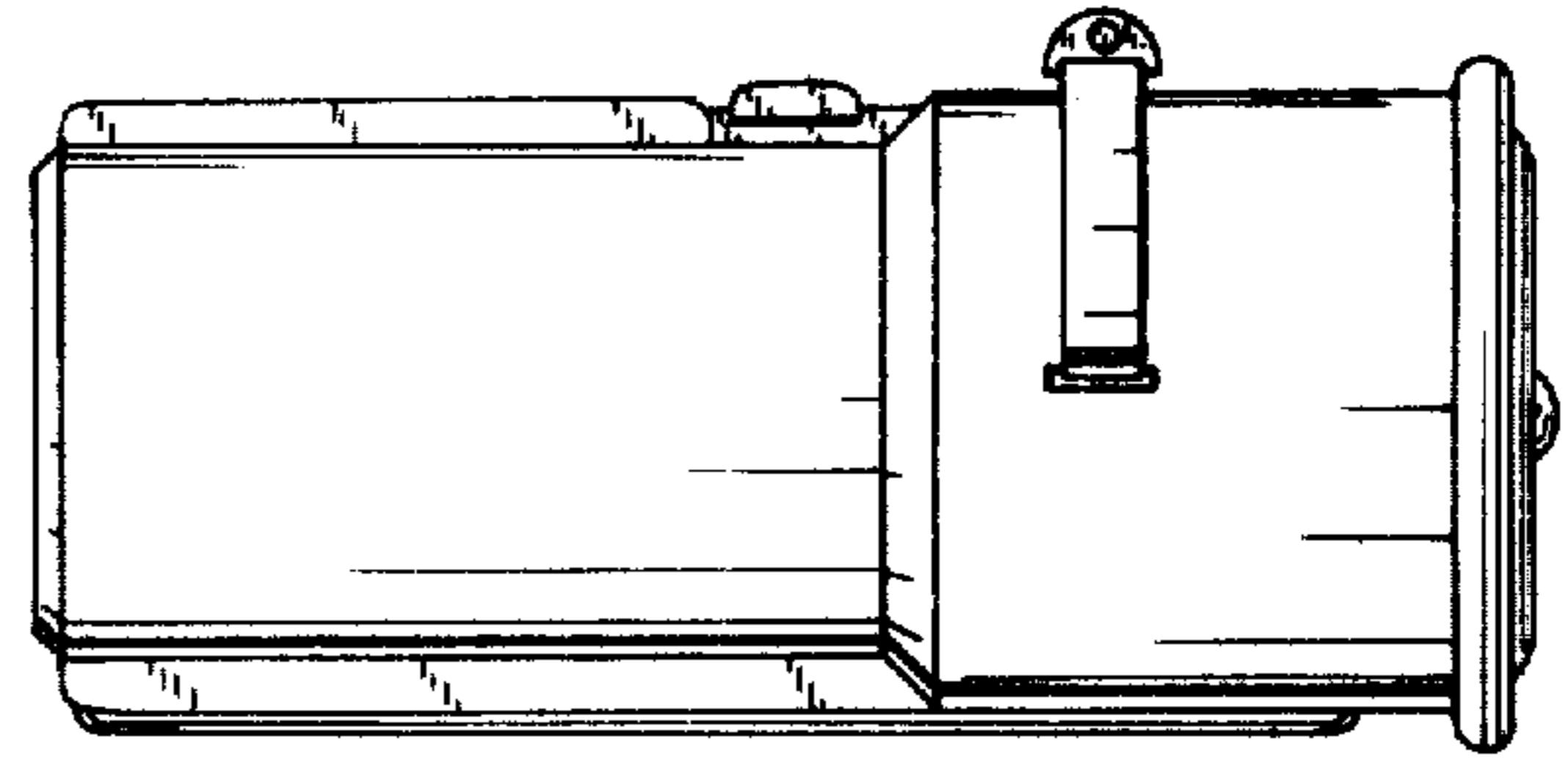


FIG. 4

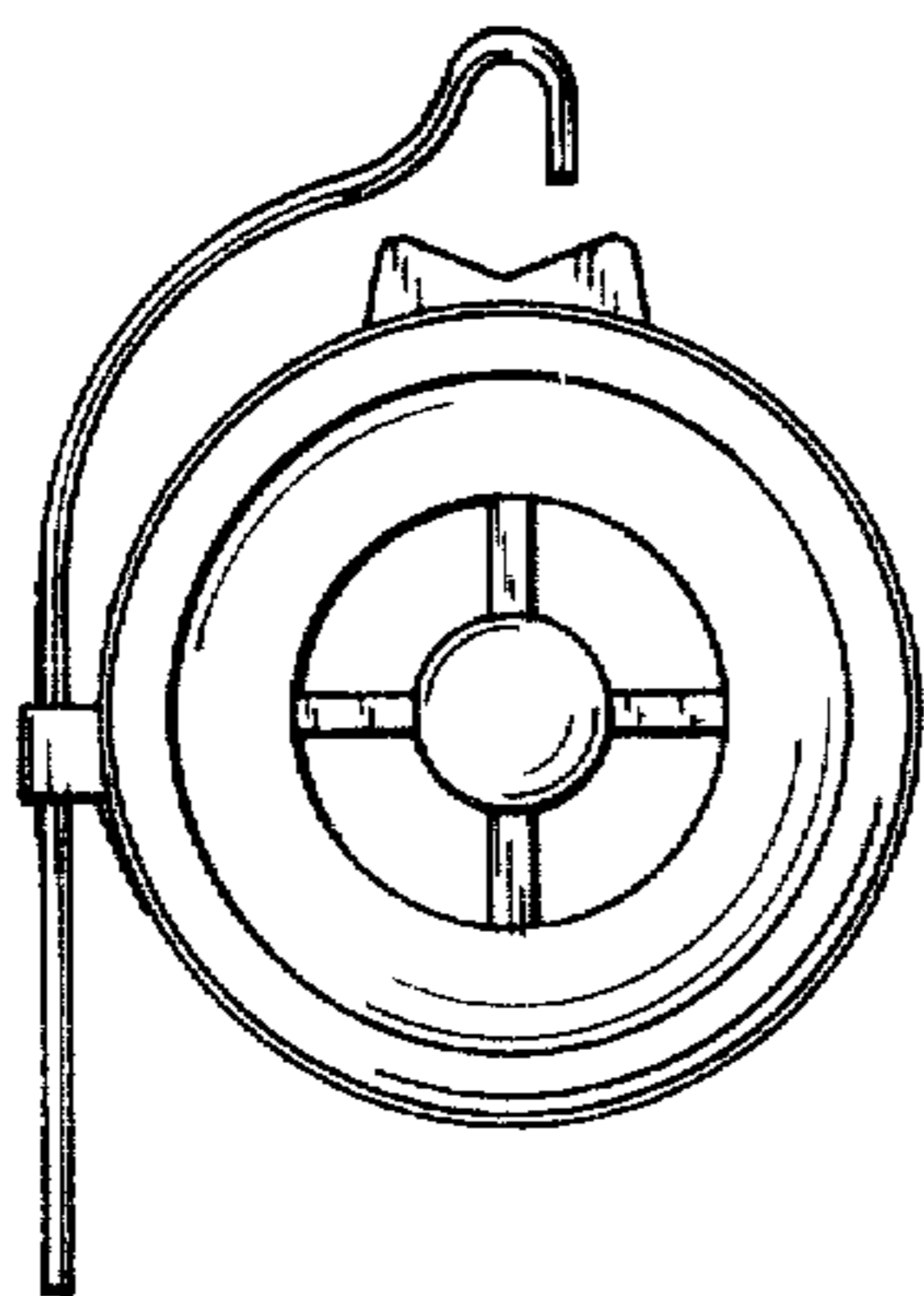


FIG. 5

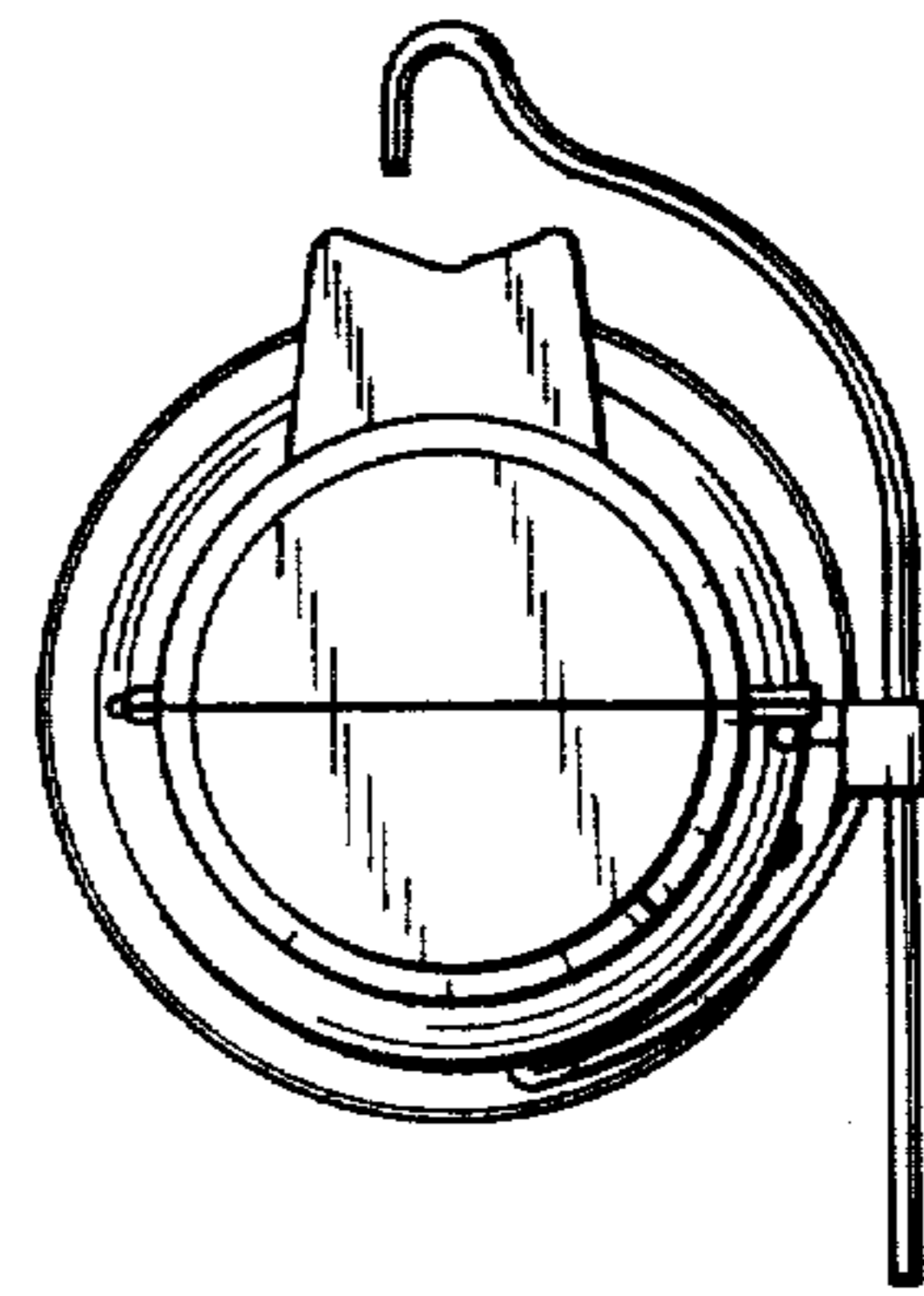


FIG. 6