

[54] ELECTRONIC GAME HOUSING

[76] Inventor: James C. Wickstead, Pitney Rd. and W. Main St., Mendham, N.J. 07945

[\*\*] Term: 14 Years

[21] Appl. No.: 307,994

[22] Filed: Oct. 2, 1981

[51] Int. Cl. .... D21-01

[52] U.S. Cl. .... D21/13; D14/106

[58] Field of Search ..... D21/13; D19/59, 60; D14/100, 106, 113; 273/1 E, 138 A, 237, 85 G, DIG. 28

[56] References Cited

U.S. PATENT DOCUMENTS

D. 261,669 11/1981 Tran et al. .... D21/13

OTHER PUBLICATIONS

Montgomery Ward Xmas Cat., 1980, p. 486, bottom left, Item "D", Boxing Game.

Electronics, Australia, Oct. 1979, p. 89, lower left, Commodore Pet.

Primary Examiner—Melvin B. Feifer

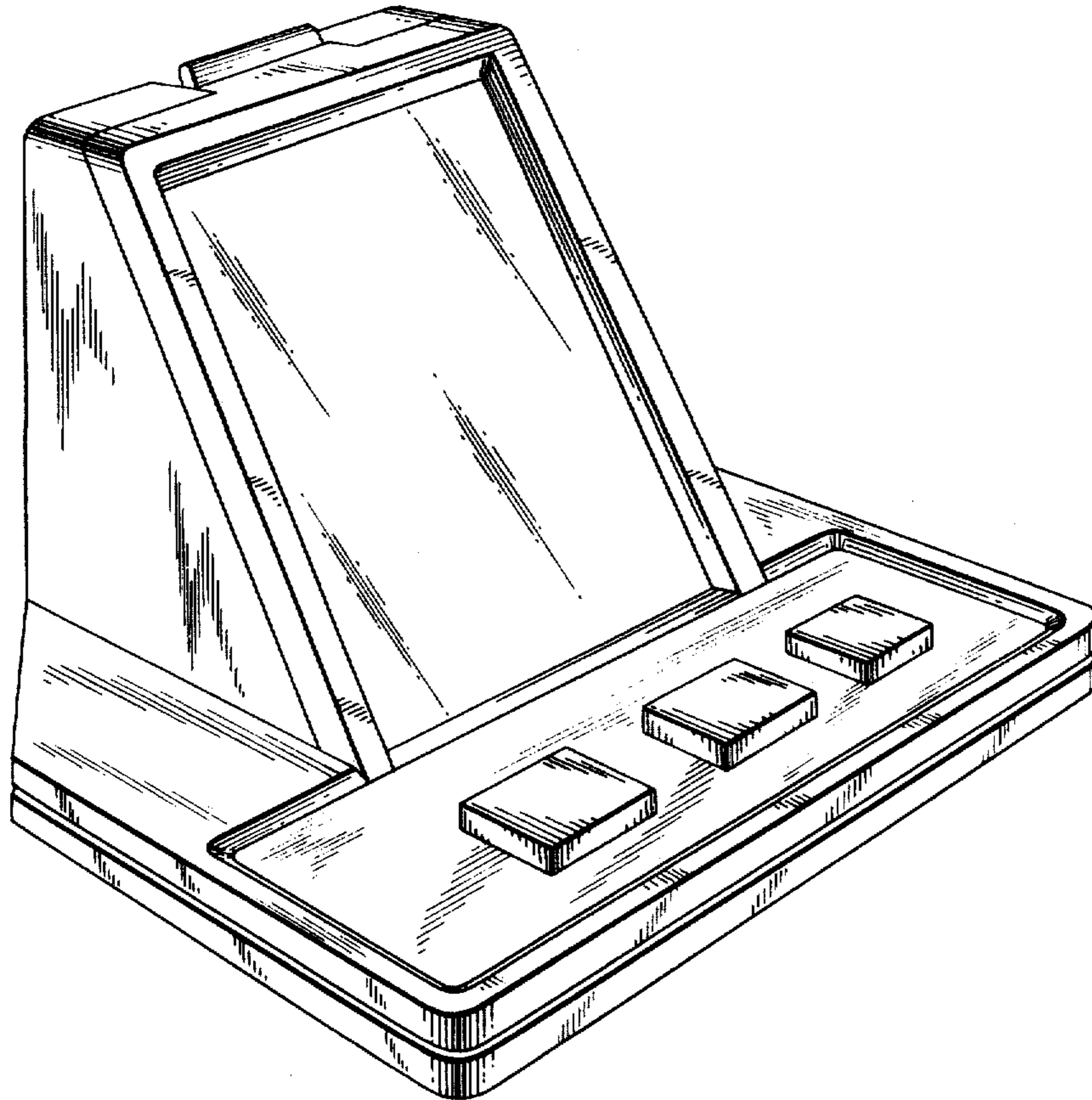
Attorney, Agent, or Firm—Blum, Kaplan, Friedman, Silberman & Beran

[57] CLAIM

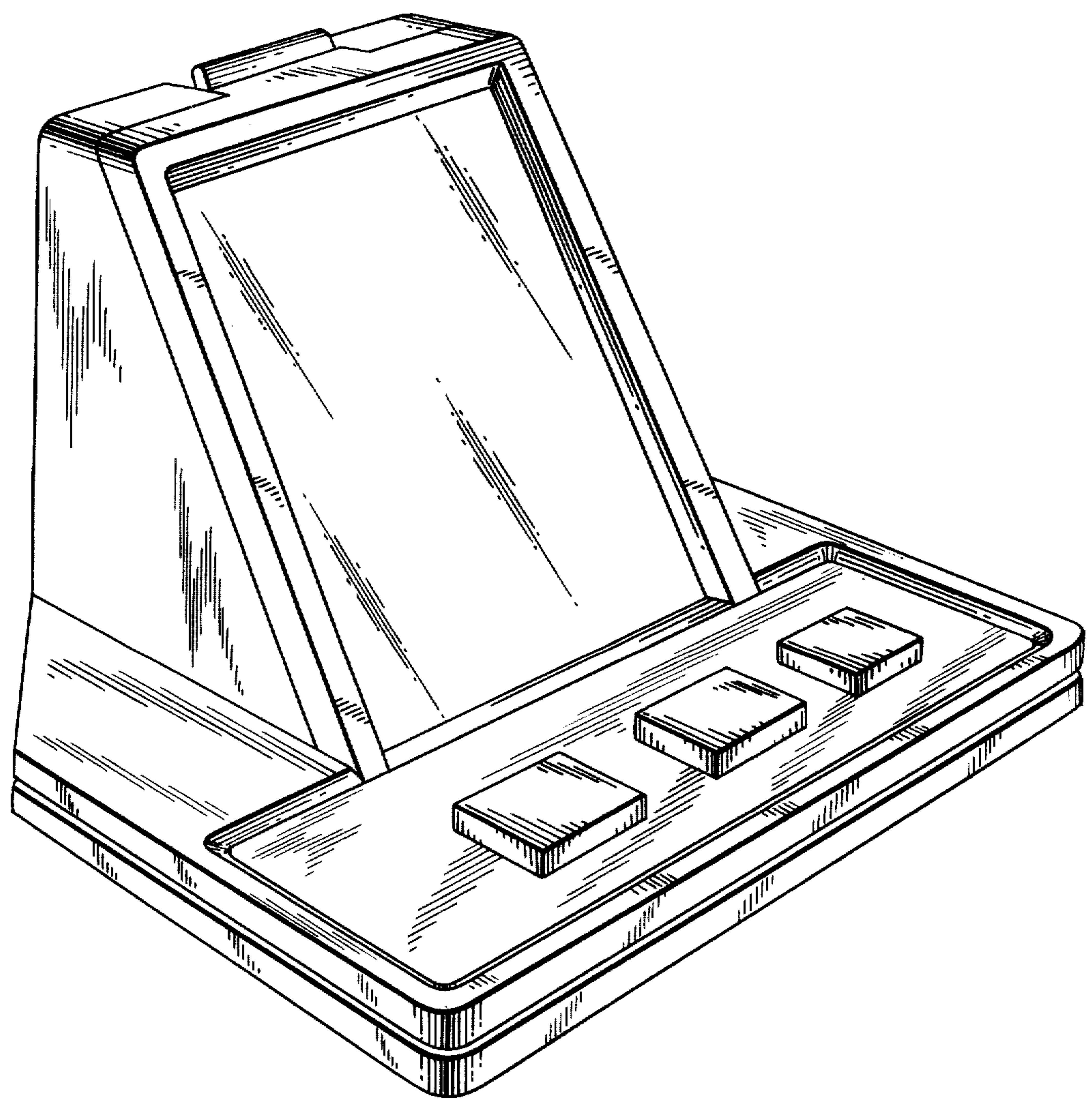
The ornamental design for an electronic game housing, as shown and described.

DESCRIPTION

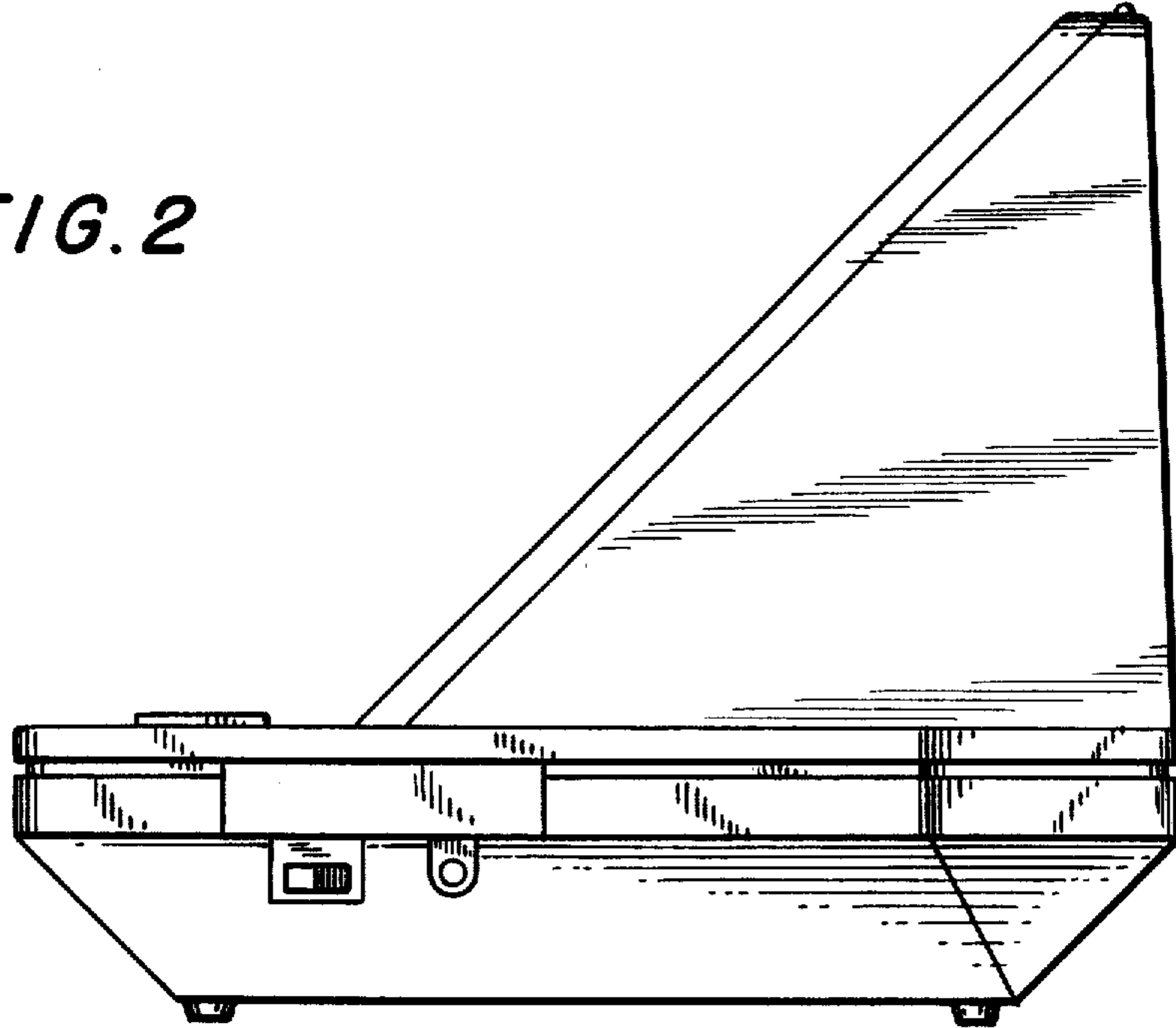
FIG. 1 is a left side perspective view of an electronic game housing showing my new design; FIG. 2 is a right side elevational view thereof; FIG. 3 is a top plan view thereof; FIG. 4 is a front elevational view thereof; FIG. 5 is a rear elevational view thereof; and FIG. 6 is a bottom plan view thereof.



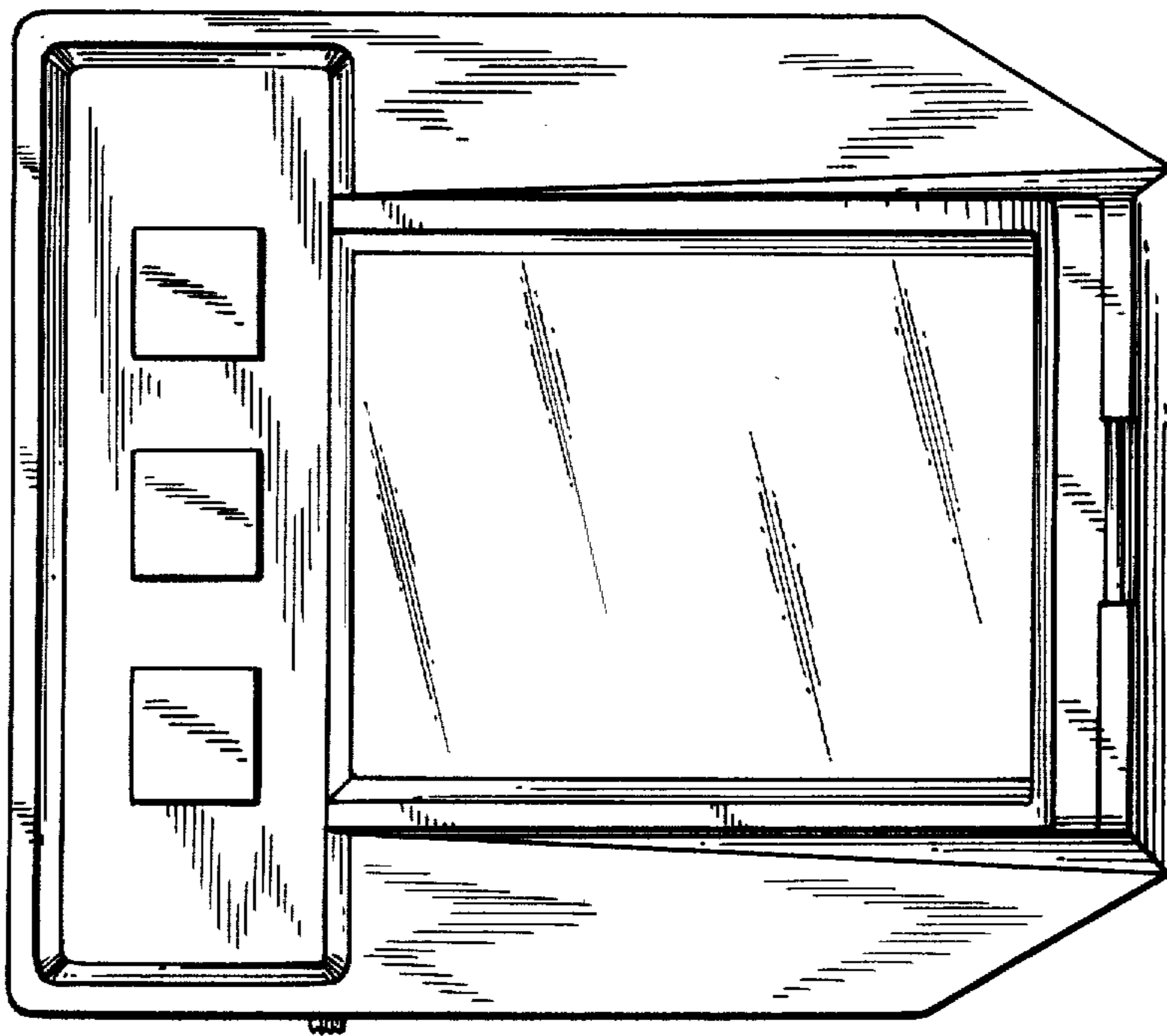
*FIG. 1*

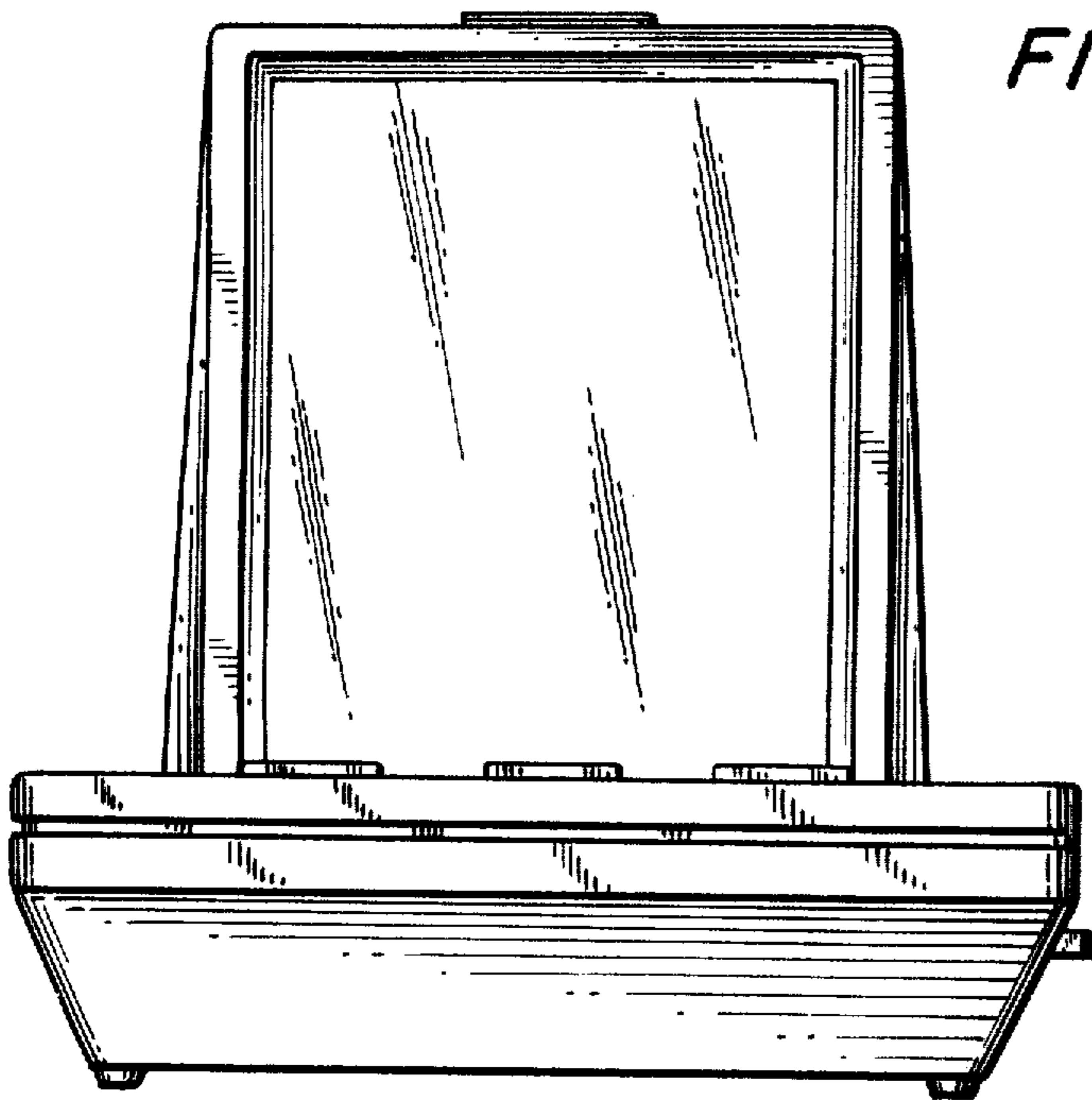


*FIG. 2*

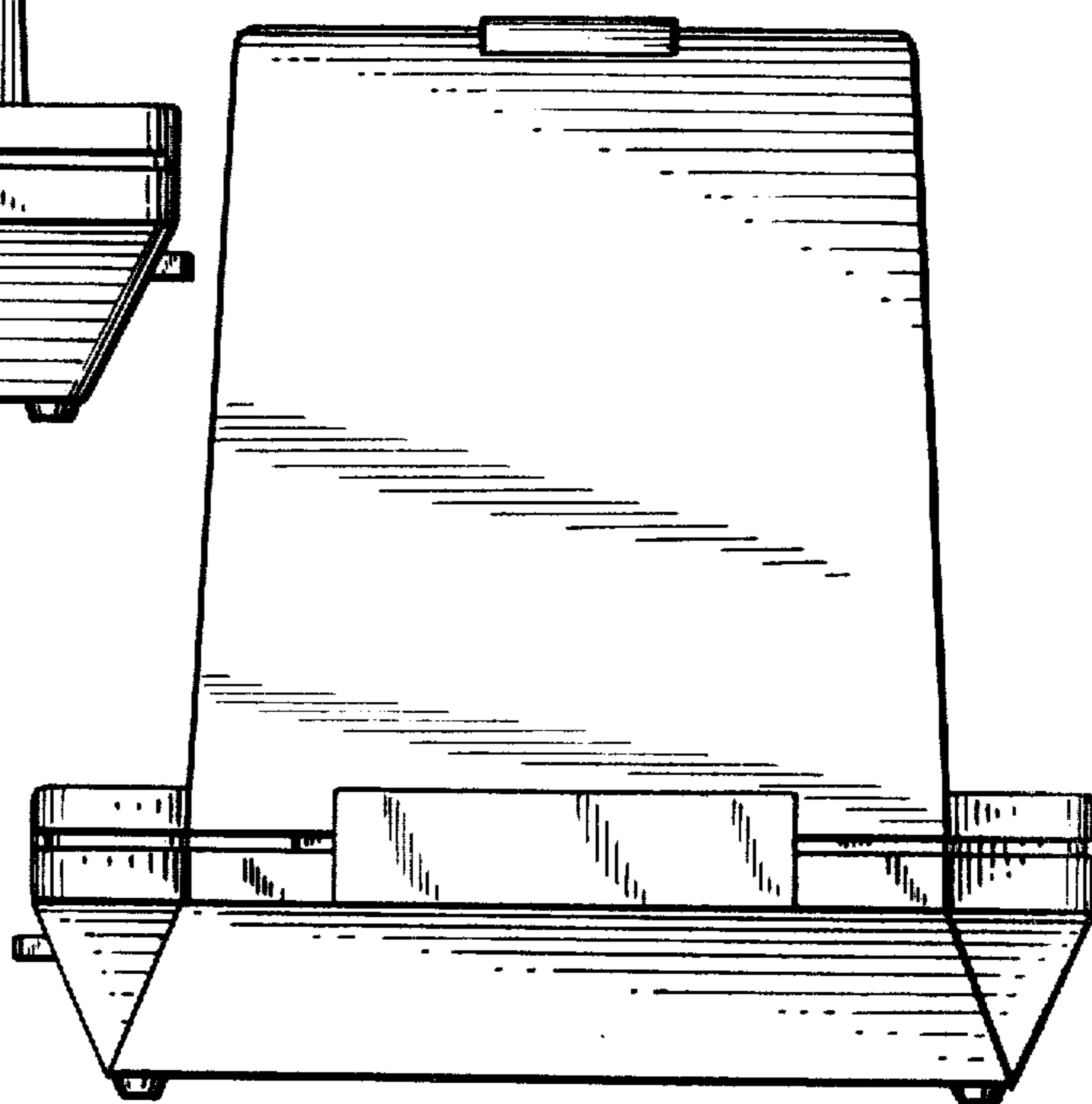


*FIG. 3*

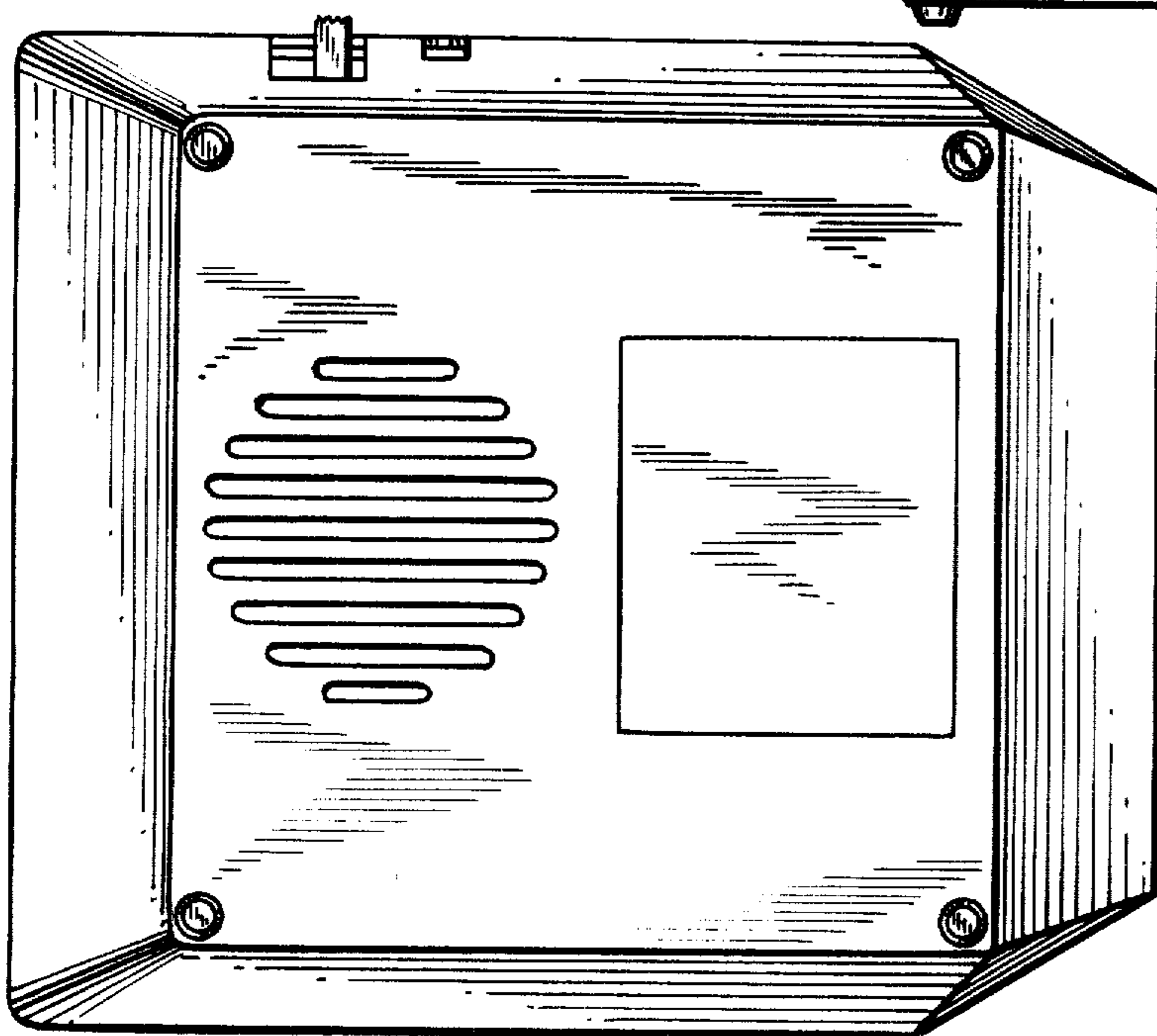




*FIG. 4*



*FIG. 5*



*FIG. 6*