

[54] DOCUMENT HOLDER FOR A DISPLAY TERMINAL

[75] Inventors: Richard R. Dillon, Wellesley; Helmut H. Henneberg, Canton, both of Mass.

[73] Assignee: Honeywell Information Systems Inc., Waltham, Mass.

[**] Term: 14 Years

[21] Appl. No.: 279,876

[22] Filed: Jul. 2, 1981

[51] Int. Cl. D19-02

[52] U.S. Cl. D19/91; D14/114

[58] Field of Search D19/75, 86, 87, 88, D19/90, 91; D14/84, 100, 108, 106, 114; 40/901; 248/441 R, 441 B, 441 C, 442.2, 451

[56] References Cited

U.S. PATENT DOCUMENTS

- D. 253,775 12/1979 Lar Rien D19/91
- D. 266,425 10/1982 Reaume D14/114
- 867,808 10/1907 Duke 248/441 B
- 2,528,990 11/1950 Atwood D19/91

FOREIGN PATENT DOCUMENTS

534725 3/1922 France 248/441 B

OTHER PUBLICATIONS

Inmac, 17th Ed., Winter Cat. 1980; p. 5, top right. P. 31, "Typing Aids", 1979 Honeywell Standard Catalog. P. 57B, Honeywell Standard Catalog by Monroe, 1981.

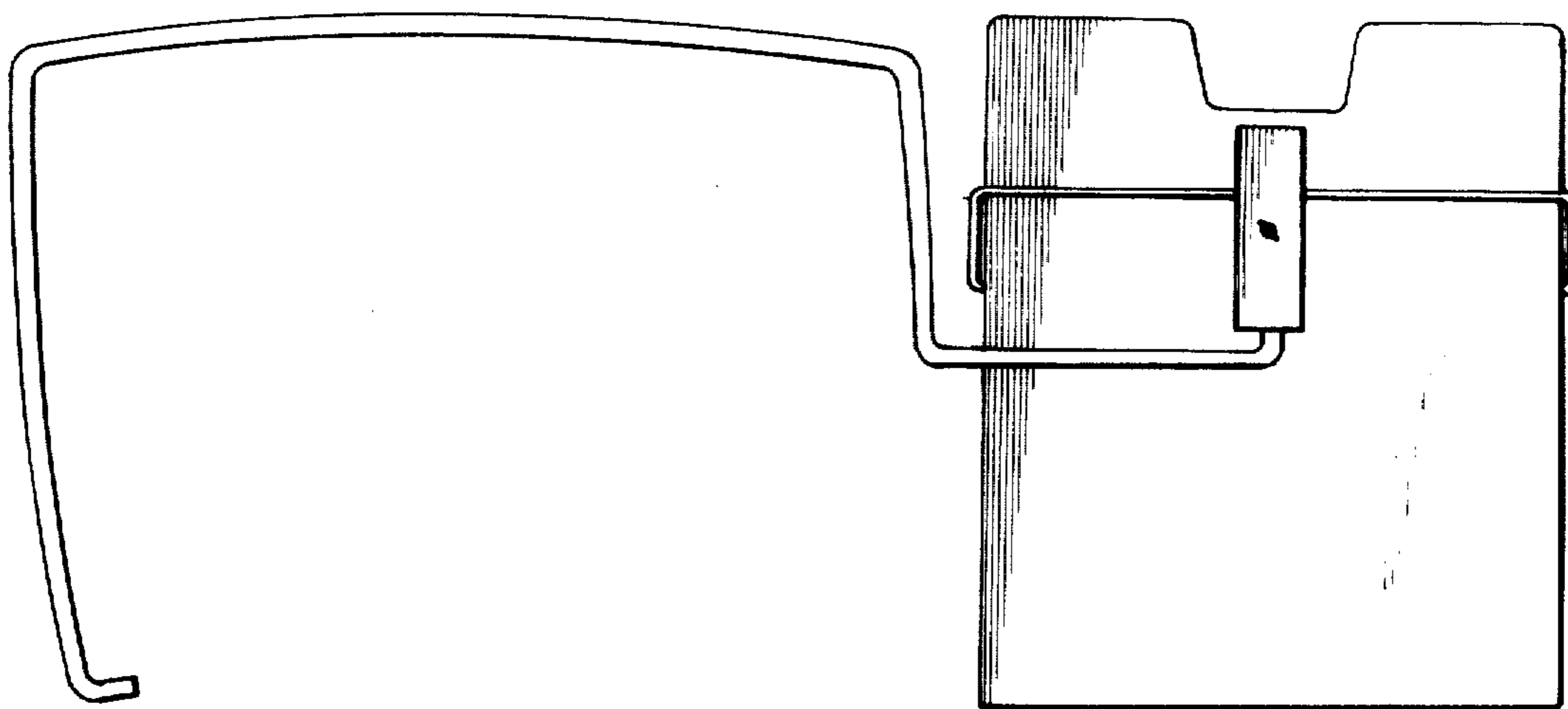
Primary Examiner—George P. Word
Attorney, Agent, or Firm—William A. Linnell; Nicholas Prasinos

[57] CLAIM

The ornamental design of a document holder for a display terminal, substantially as shown and described.

DESCRIPTION

FIG. 1 is a perspective view of a document holder for a display terminal showing our new design, the environmental structure shown in dotted lines being for illustrative purposes only and not a part of the design; FIG. 2 is a left side elevational view thereof; FIG. 3 is a front elevational view thereof; FIG. 4 is a top plan view thereof; and FIG. 5 is a rear elevational view thereof.



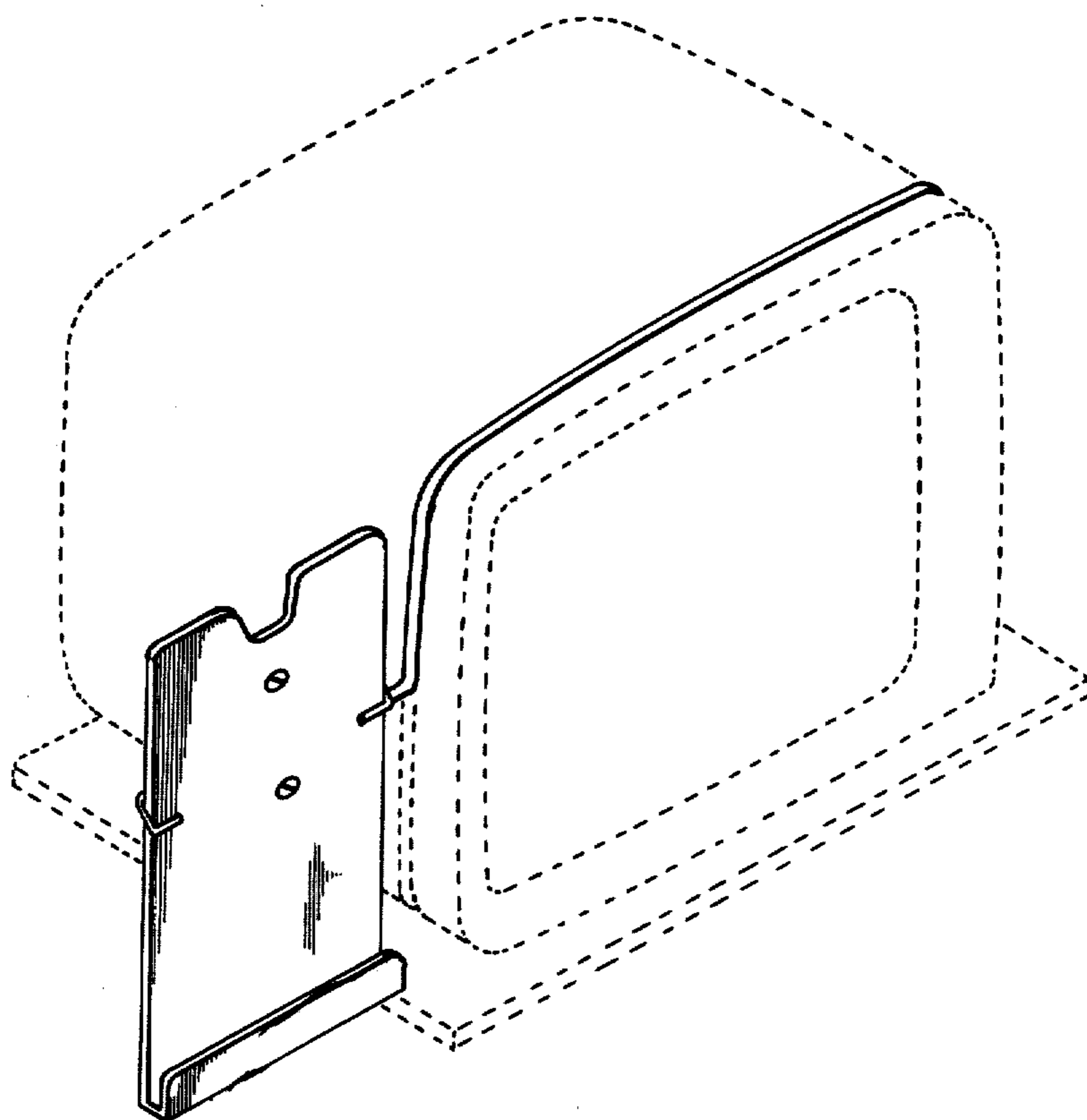


FIG. 1

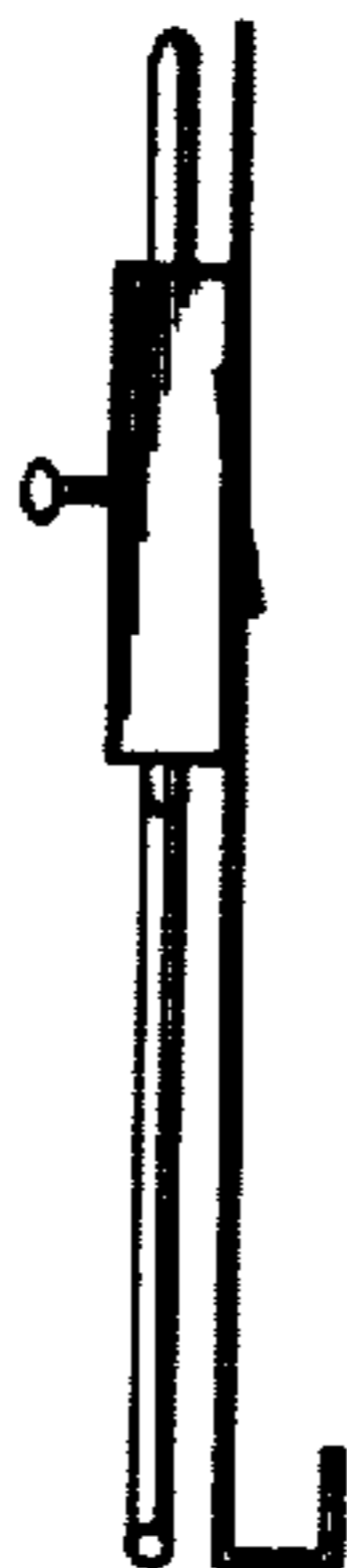


FIG. 2

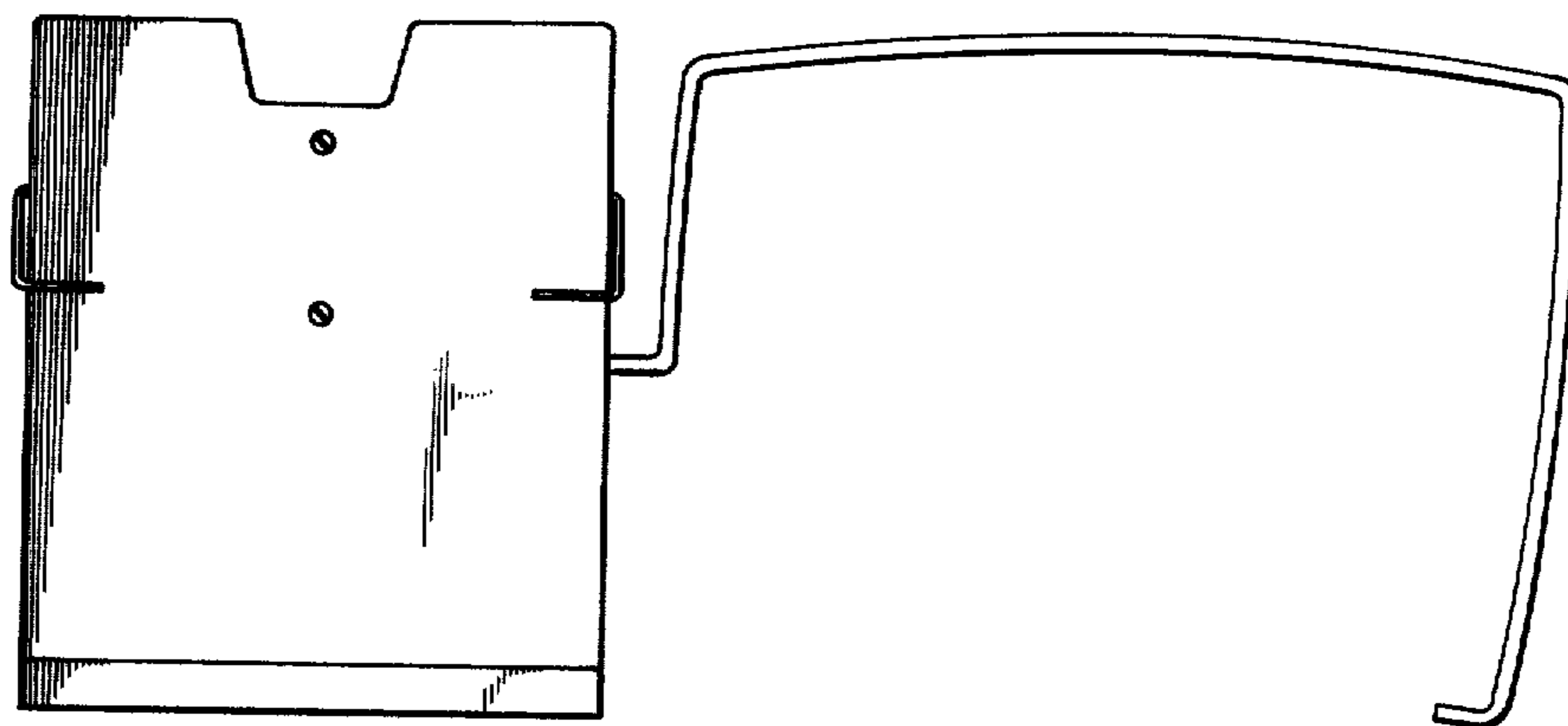


FIG. 3



FIG. 4

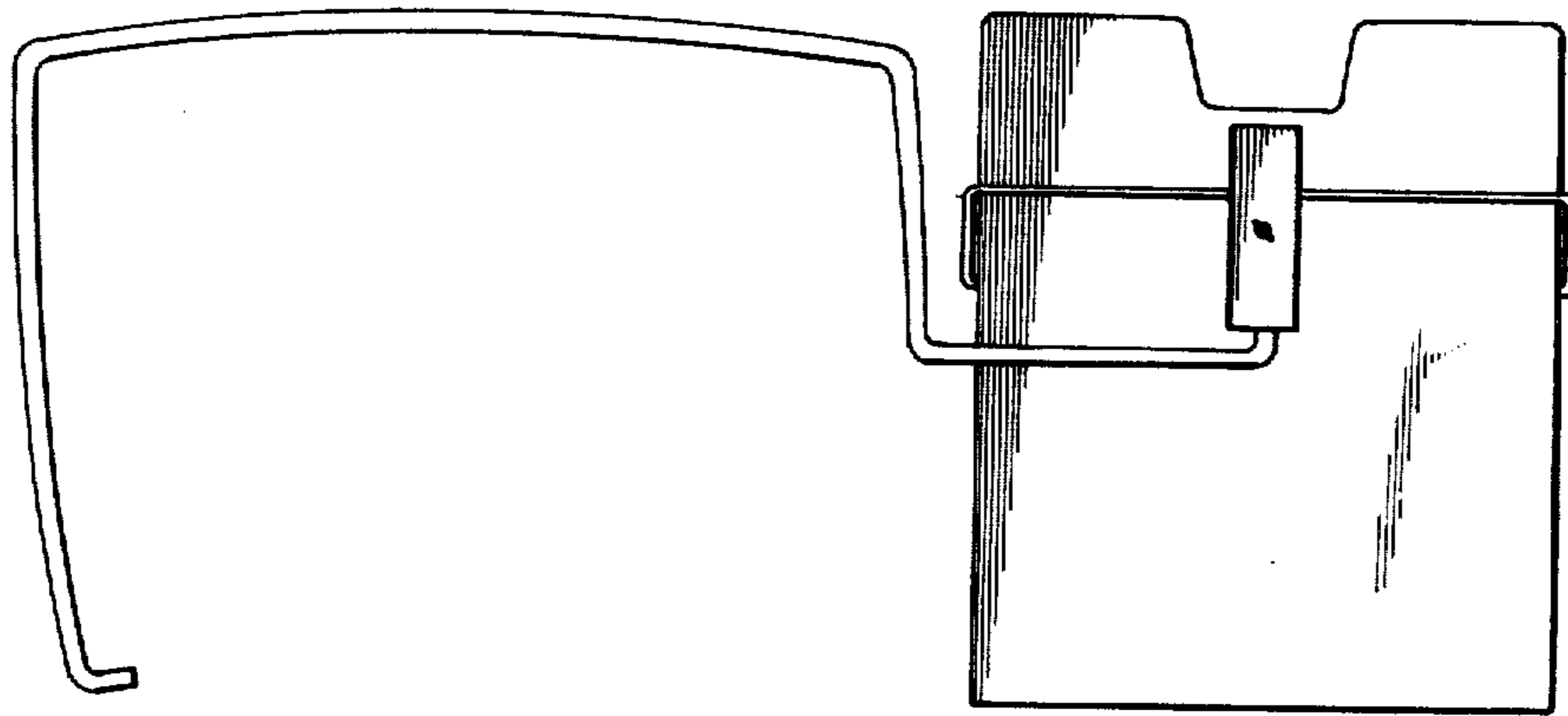


FIG. 5