

[54] AGRICULTURAL VEHICLE

[75] Inventors: Lawrence F. Clancy, Aurora; John M. Parks, Peoria; Eugene M. Poplawski, Aurora, all of Ill.

[73] Assignee: Caterpillar Tractor Co., Peoria, Ill.

[**] Term: 14 years

[21] Appl. No.: 196,970

[22] Filed: Oct. 14, 1980

[51] Int. Cl. D15-03

[52] U.S. Cl. D15/23

[58] Field of Search D15/22, 23; 180/54 D, 180/900, 235, 24.03, 89.1

[56] References Cited

PUBLICATIONS

Implement & Tractor, 9/7/74, p. 15, Deere 8630 Tractor, top left side of page.

Implement & Tractor, 1/31/79, inside rear cover, Allis-Chalmers 8550 Tractor.

Implement & Tractor, 4/7/79, p. 57, Massey-Ferguson 4880 Tractor, top left side of page.

Primary Examiner—James M. Gandy
Attorney, Agent, or Firm—Joseph W. Keen

[57] CLAIM

The ornamental design for an agricultural vehicle, substantially as shown.

DESCRIPTION

FIG. 1 is a left front perspective view of an agricultural vehicle showing a new design;

FIG. 2 is a right side elevational view thereof;

FIG. 3 is a front elevational view thereof;

FIG. 4 is a rear elevational view thereof;

FIG. 5 is a left side elevational view thereof; and

FIG. 6 is a top plan view thereof.

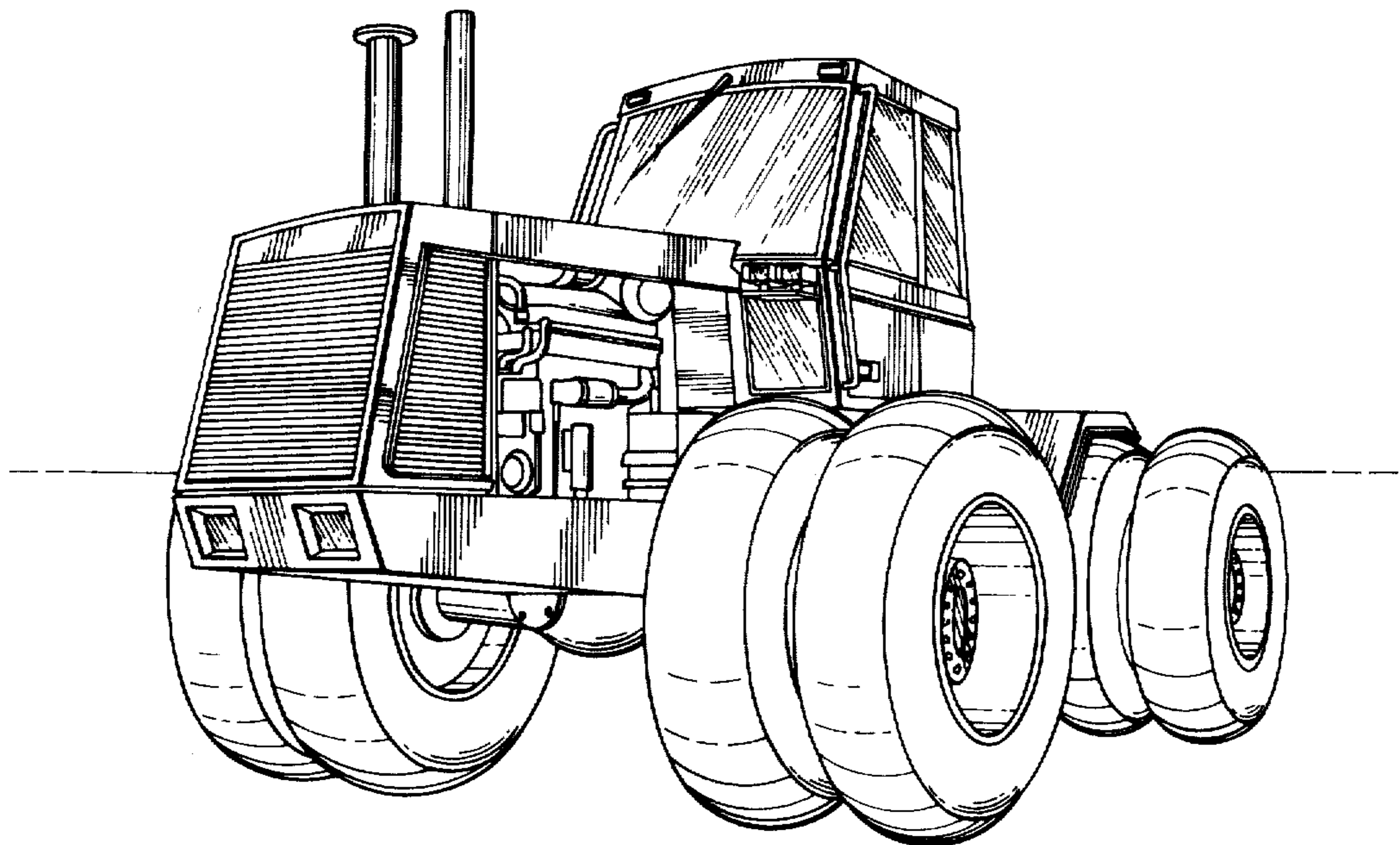


FIG. 1

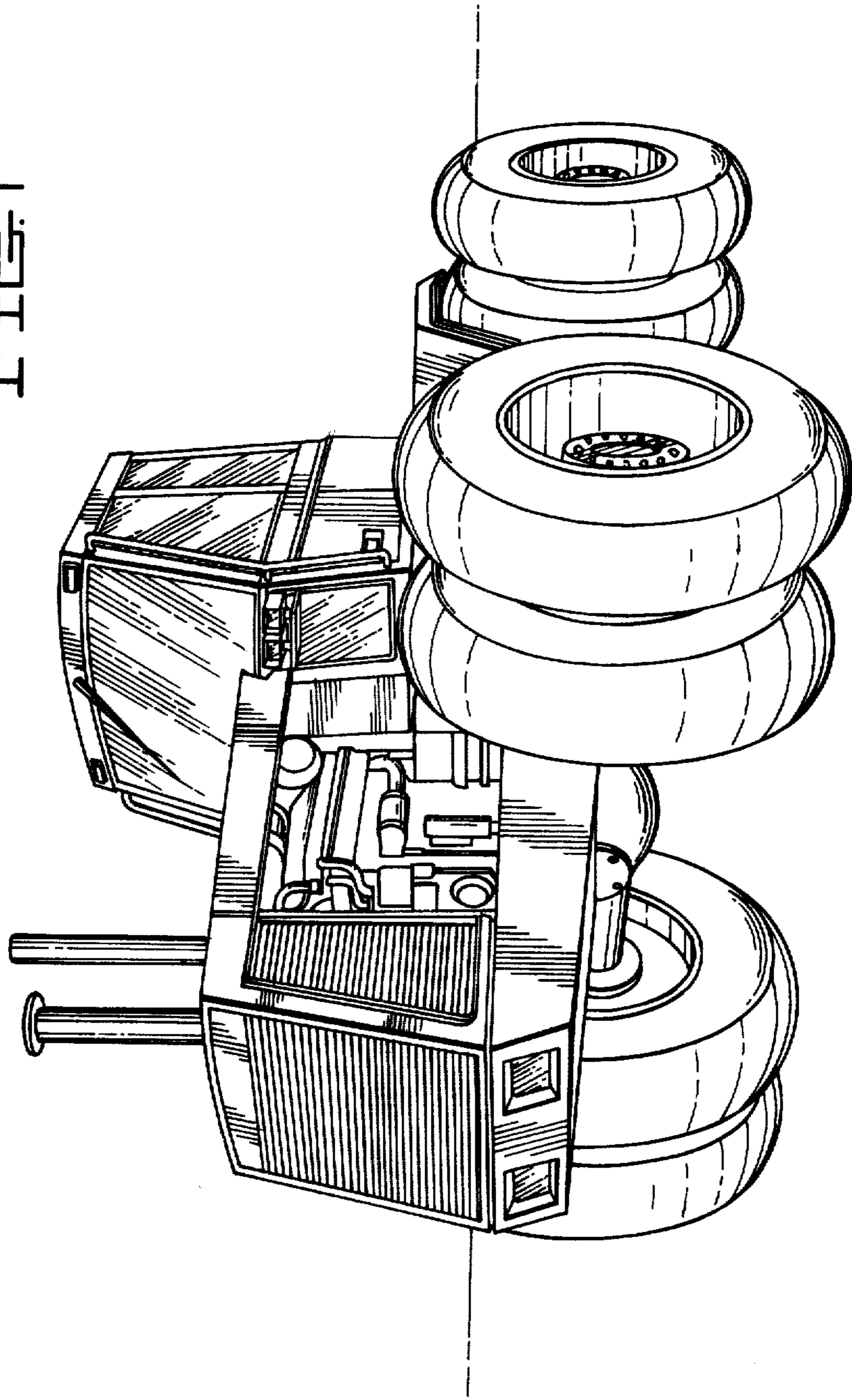


FIG. 2

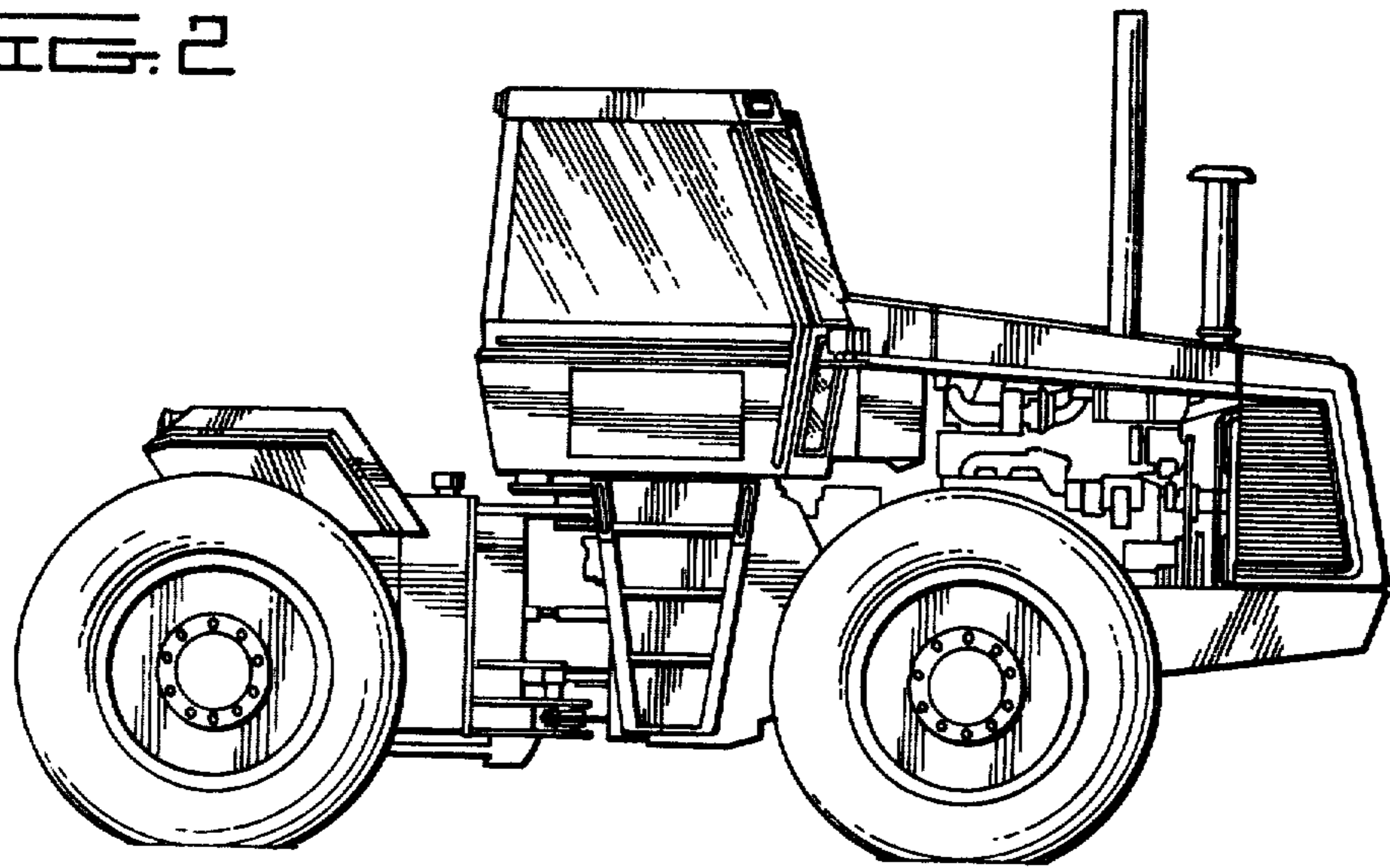


FIG. 6

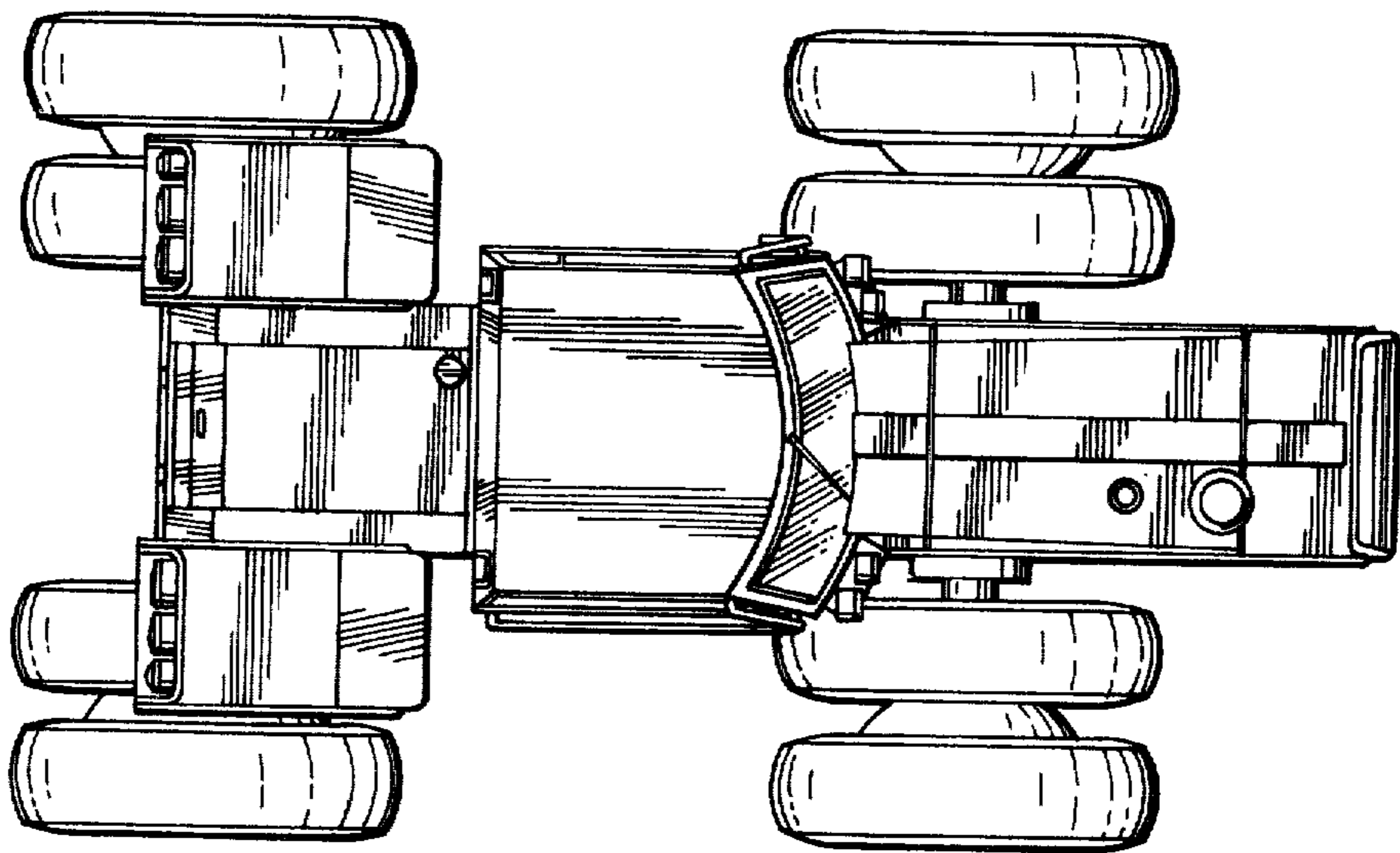


FIG. 3

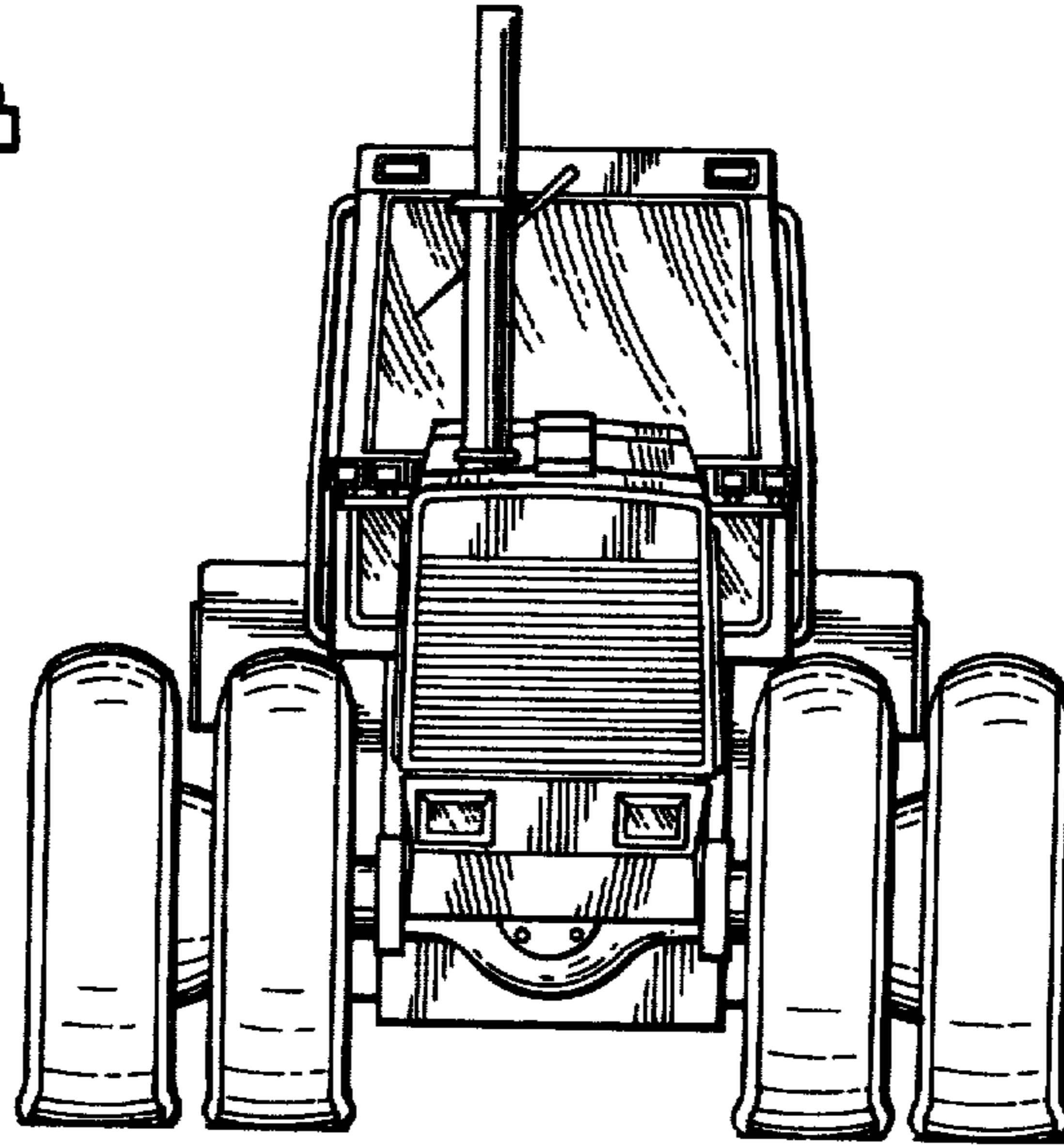


FIG. 4

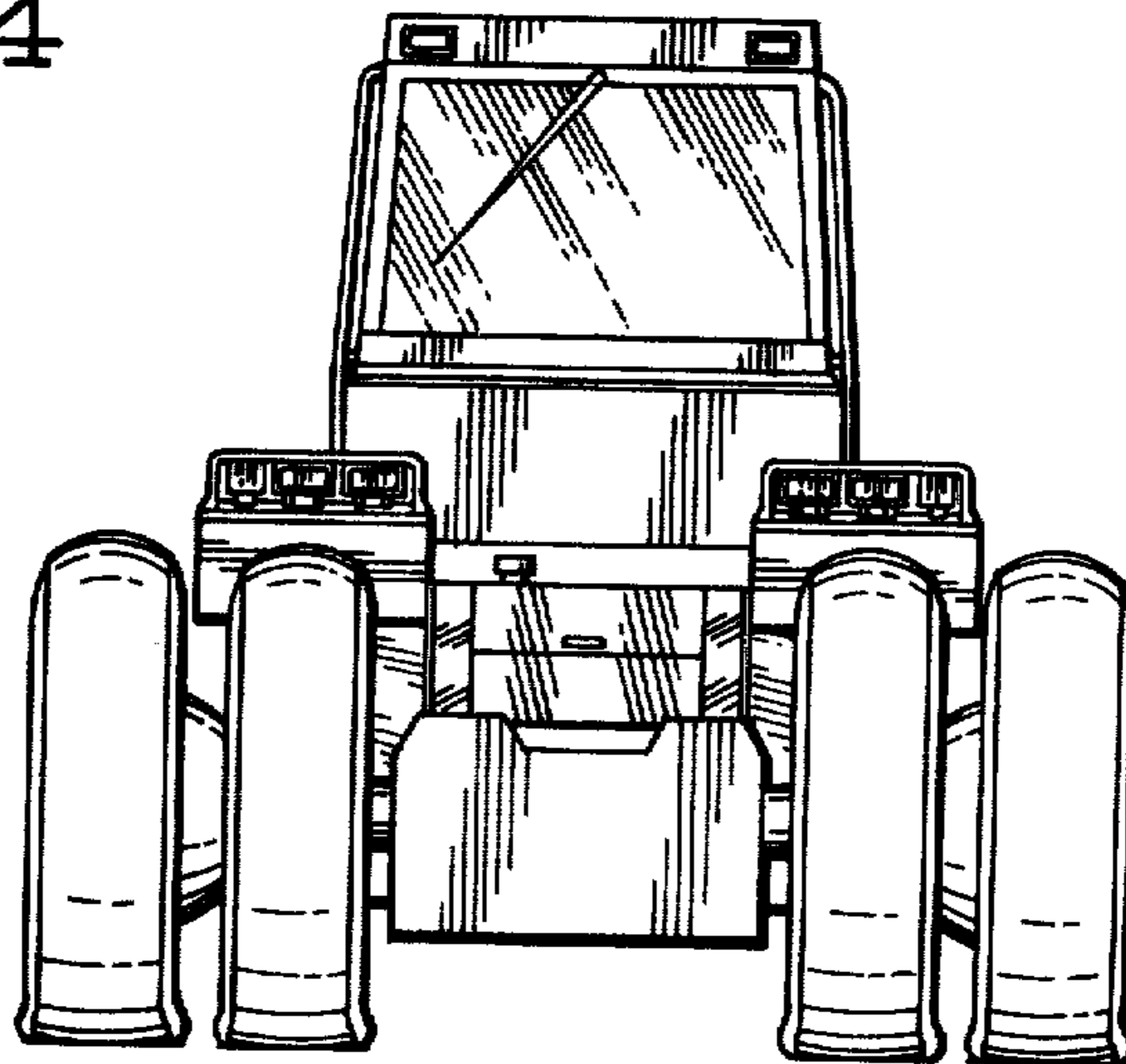


FIG. 5

