

[54] PAIR OF RAILROAD CROSSING STRUCTURAL COMPONENTS

[76] Inventors: Lorn L. Trickel, 8806 NE. Thompson, Portland, Oreg. 97220; William H. Stultz, 9424 N. Burr St., Portland, Oreg. 97203

[\*\*] Term: 14 years

[21] Appl. No.: 245,258

[22] Filed: Mar. 19, 1981

[51] Int. Cl. .... D12-99

[52] U.S. Cl. .... D12/49

[58] Field of Search ..... D12/49; 238/8

[56] References Cited

U.S. PATENT DOCUMENTS

3,955,761 5/1976 Szarka et al. .... 238/8

OTHER PUBLICATIONS

Progressive Railroading, 2/76, p. 60A, Railroad Crossing Slab System.

Primary Examiner—James M. Gandy  
Attorney, Agent, or Firm—Eugene D. Farley

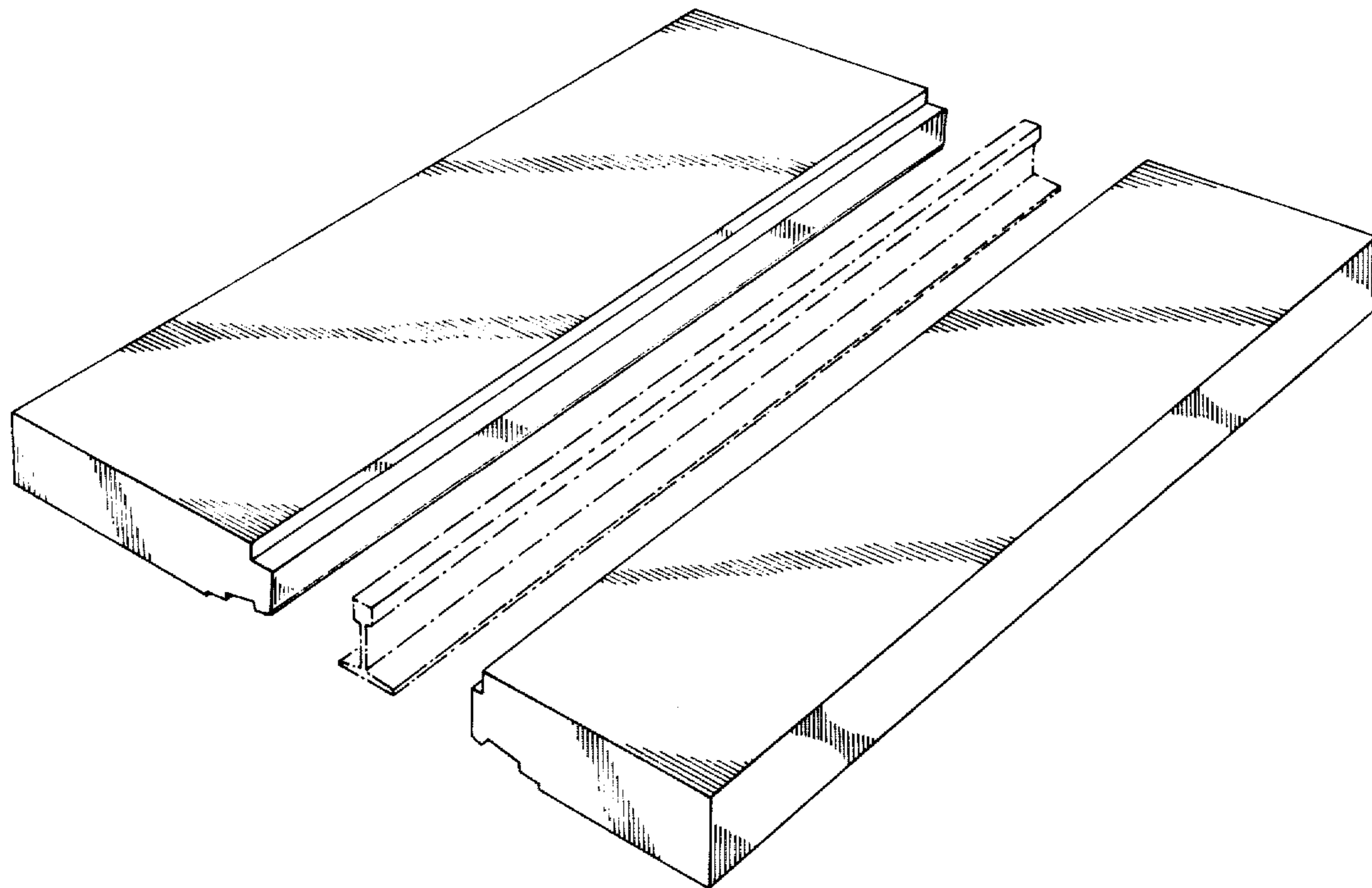
[57] CLAIM

The ornamental design for a pair of railroad crossing structural components, as shown and described.

DESCRIPTION

FIG. 1 is an exploded perspective view of a pair of railroad crossing structural components, illustrating our new design; and

FIG. 2 is an exploded bottom perspective view thereof. The broken lines in the drawing are for illustrative purposes only.



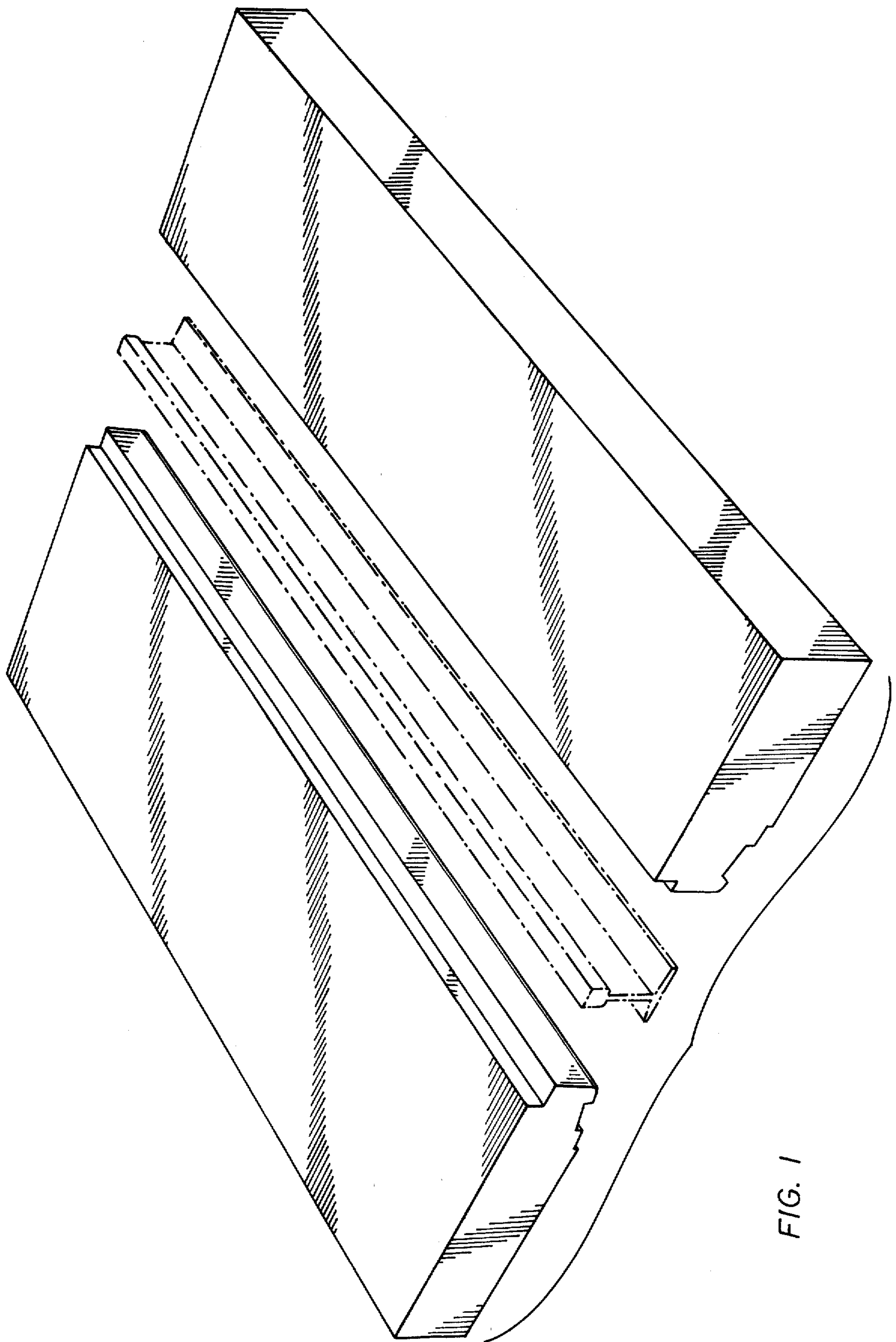


FIG. 1

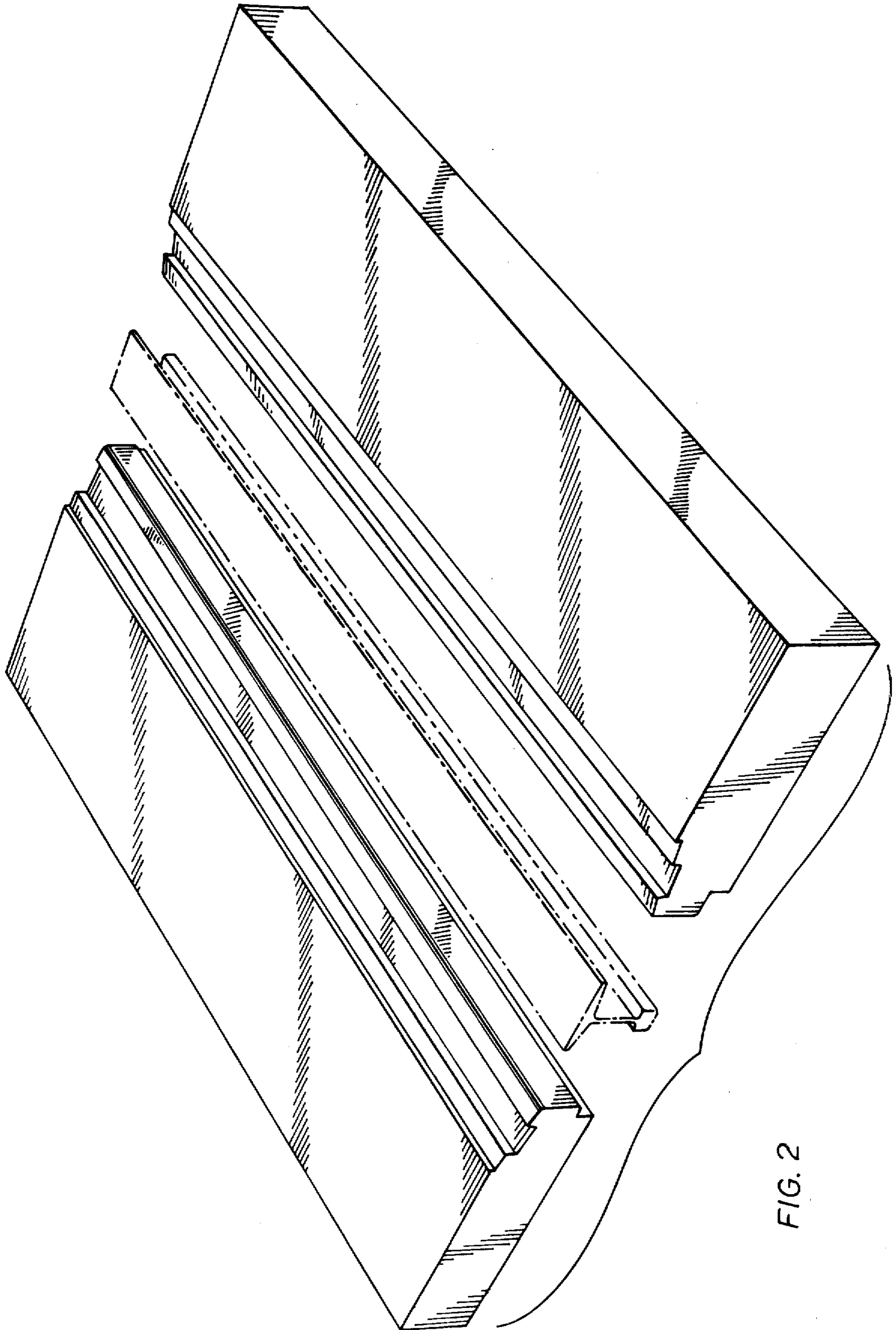


FIG. 2