

[54] PANEL METER

D. 226,271 2/1973 Holtzman ..... D10/102 X  
4,080,570 3/1978 Pearson ..... 324/156

[75] Inventors: Richard A. Heck, West Bloomfield;  
Louis L. Mastro, Milford, both of  
Mich.

[73] Assignee: Square D Company, Palatine, Ill.

[\*\*] Term: 14 years

[21] Appl. No.: 234,215

[22] Filed: Feb. 13, 1981

[51] Int. Cl. .... D10-07

[52] U.S. Cl. .... D10/102

[58] Field of Search ..... D10/75, 77, 102, 103;  
324/76 R, 156, 151 R, 151 A, 154

[56] References Cited

U.S. PATENT DOCUMENTS

- D. 193,680 9/1962 Gomi ..... D10/102 X
- D. 196,672 10/1963 Monson ..... D10/102
- D. 196,975 11/1963 Dsenis ..... D10/102 X
- D. 200,493 3/1965 Kerr ..... D10/102
- D. 206,550 12/1966 Cumming ..... D10/102
- D. 215,658 10/1969 Dolan ..... D10/102 X

OTHER PUBLICATIONS

*Beede Pamphlet*-1/10/79-p. 13-Panel Meters at top and middle.

*Triplett Catalog*-3/1/80-p. 5-Panel Meter at top-right.

*Primary Examiner*-Nelson C. Holtje

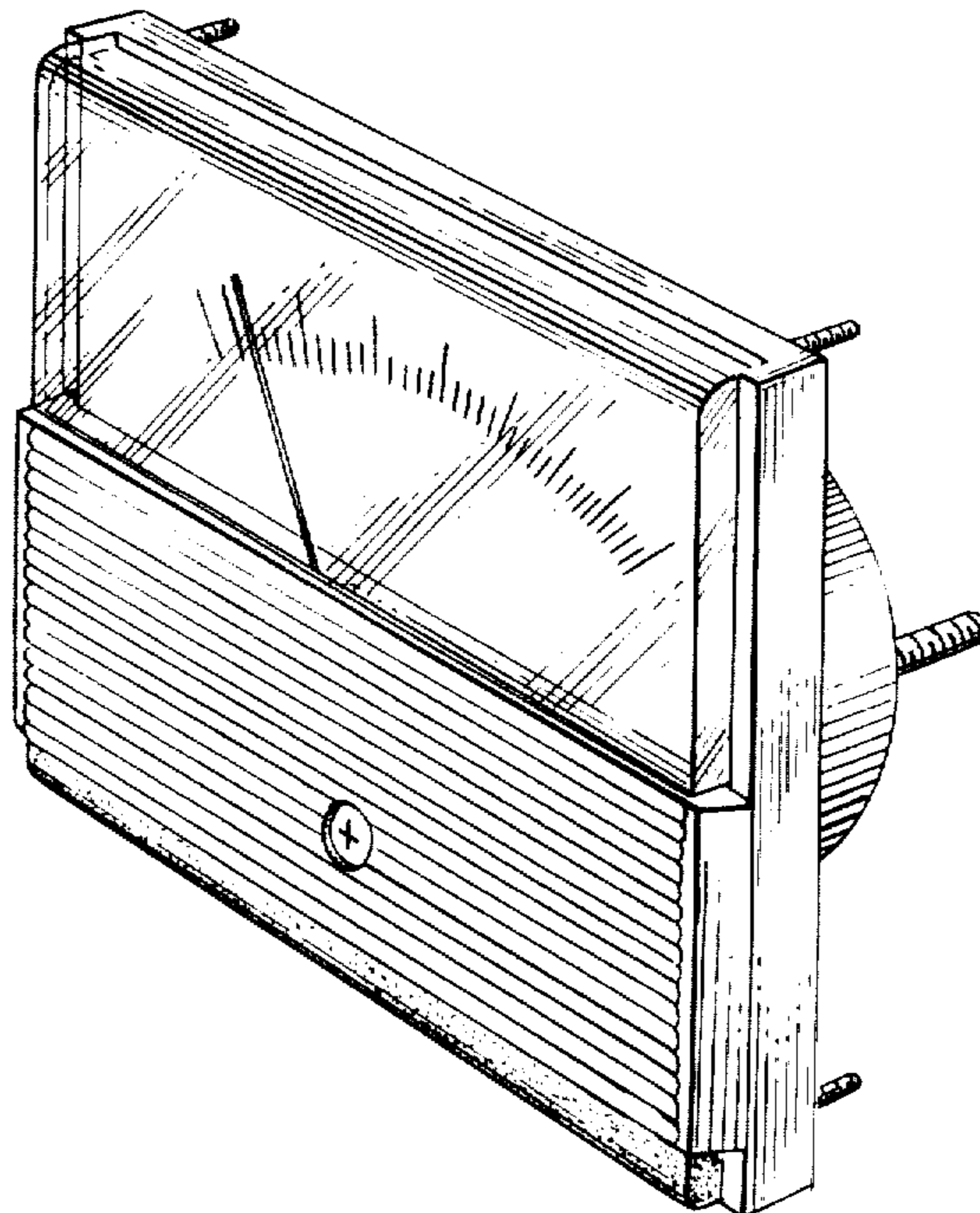
*Attorney, Agent, or Firm*-Michael J. Femal; Donald D. Mondul

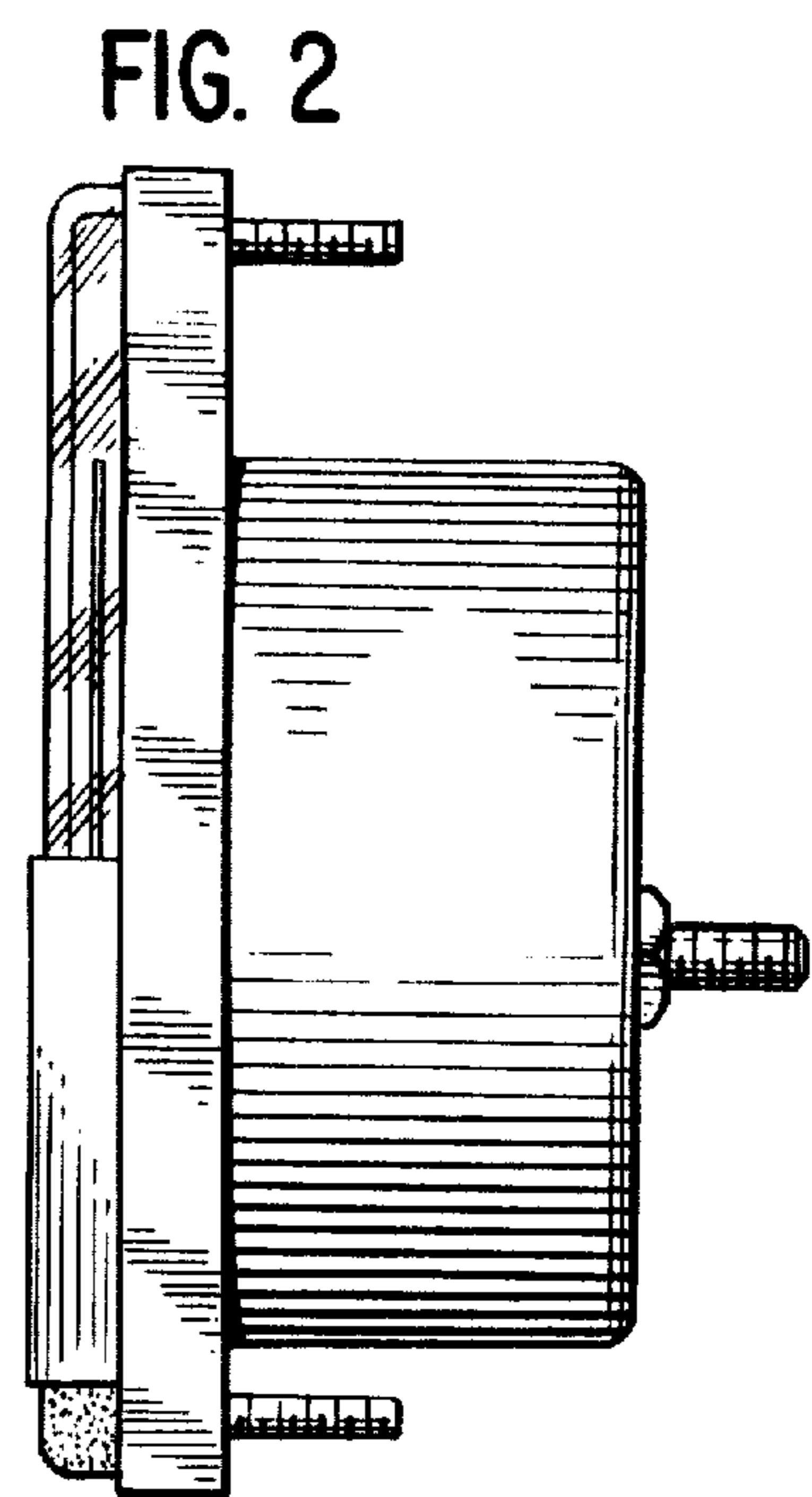
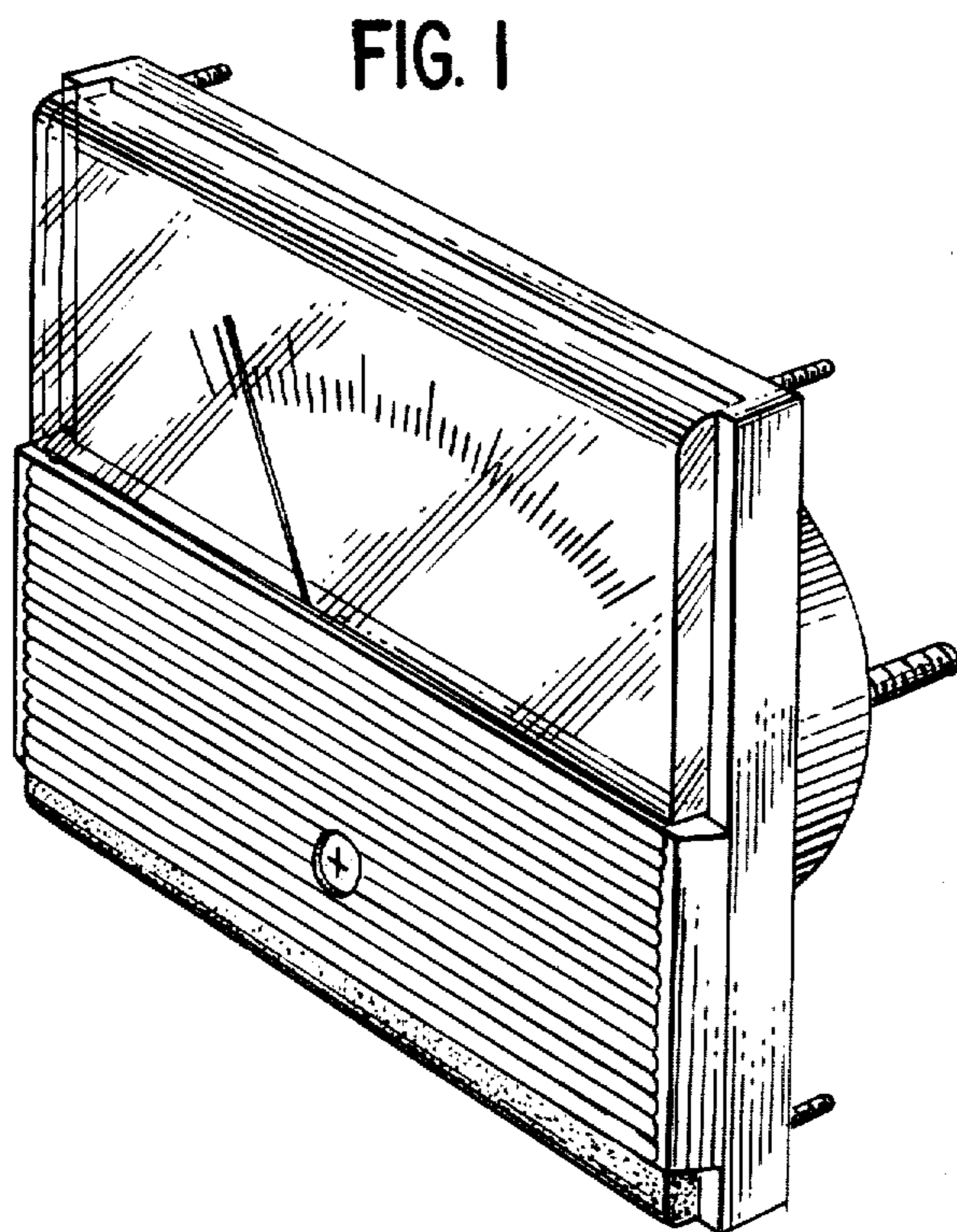
[57] CLAIM

The ornamental design for a panel meter, as shown.

DESCRIPTION

FIG. 1 is a top and right front perspective view of a panel meter showing our new design;  
 FIG. 2 is a right side elevational view thereof, the left side being a mirror image thereto;  
 FIG. 3 is a rear elevational view thereof;  
 FIG. 4 is a top plan view thereof;  
 FIG. 5 is a front elevational view thereof;  
 FIG. 6 is a bottom plan view thereof.





**FIG. 3**

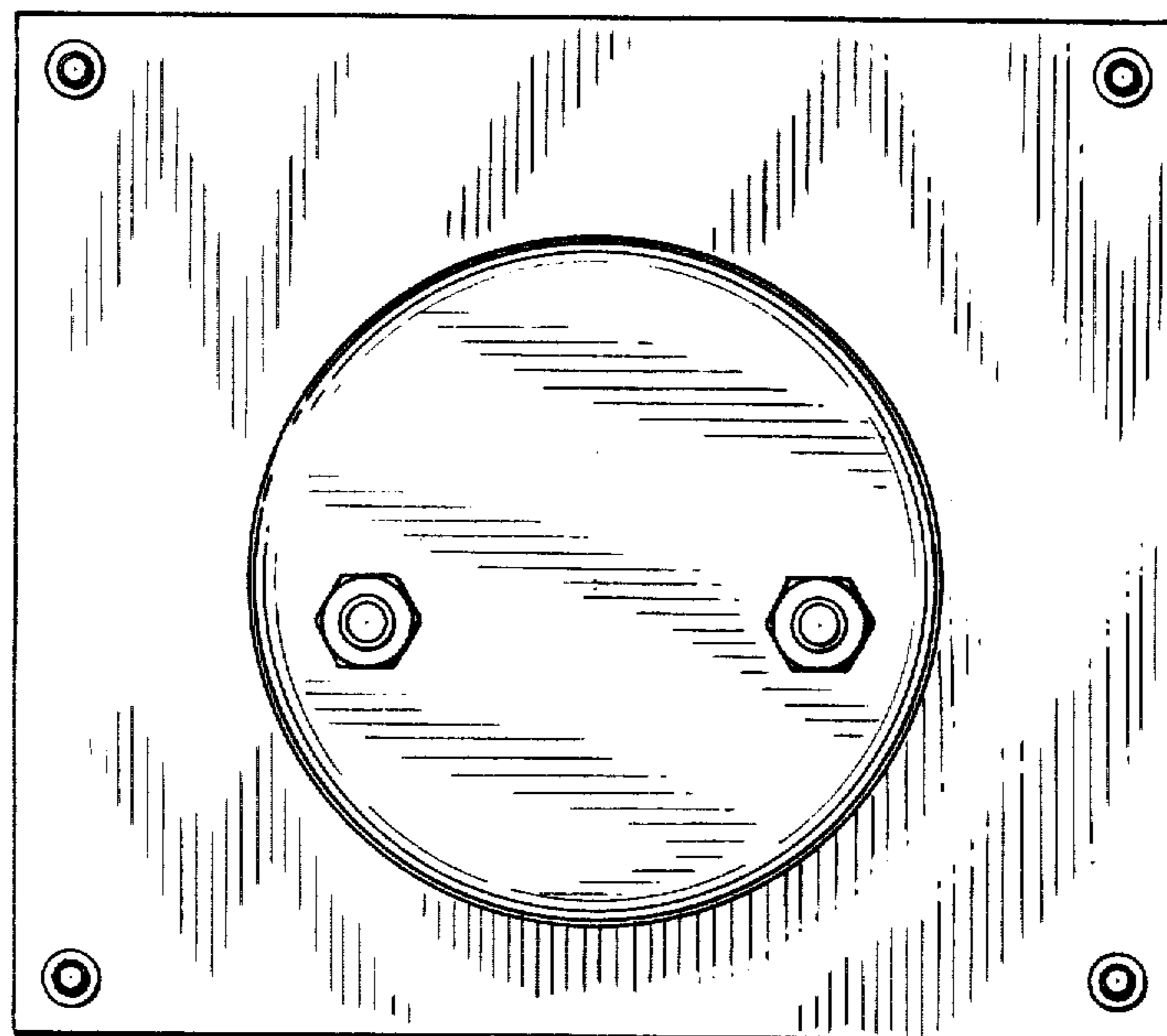


FIG. 4

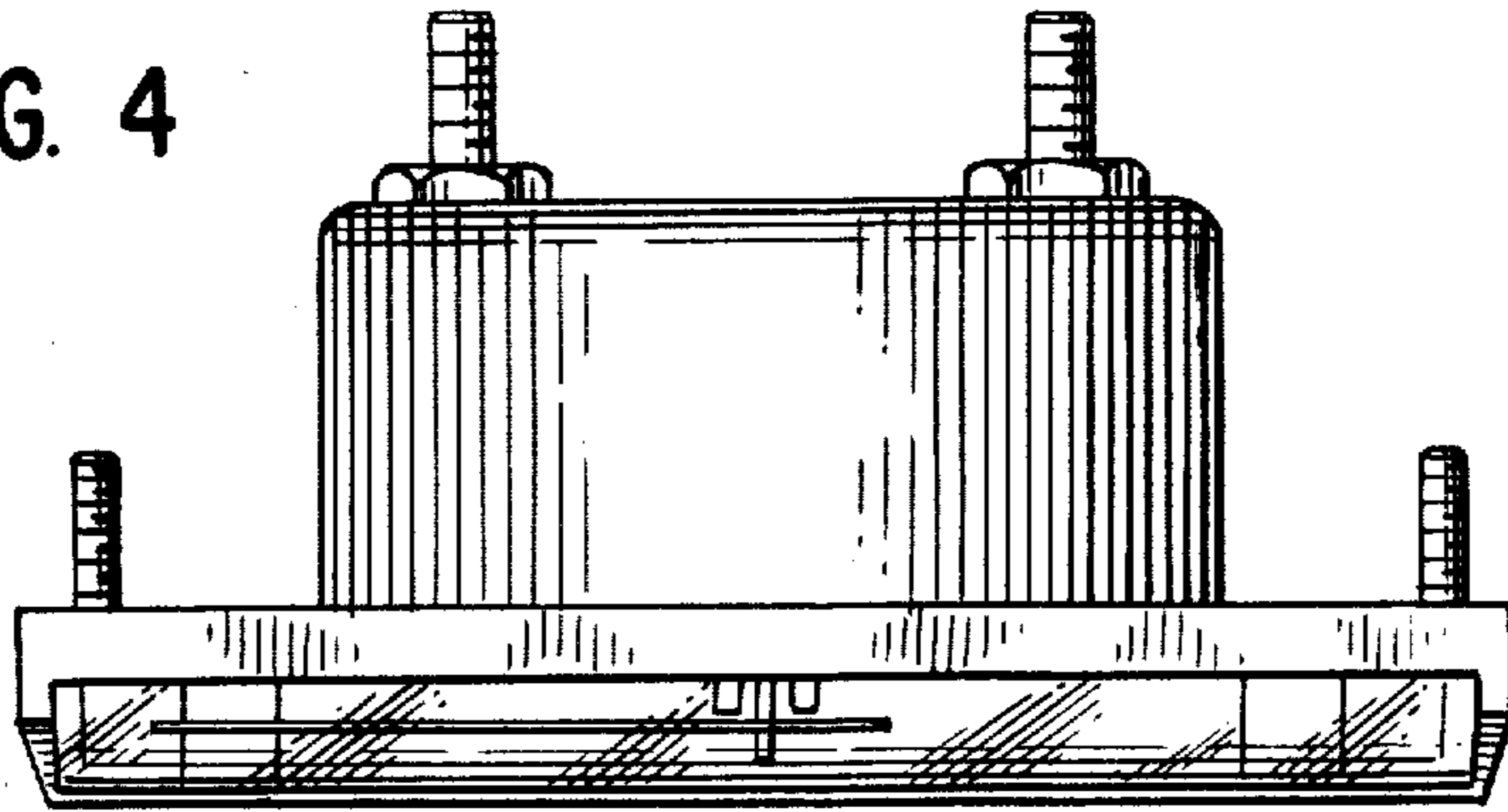


FIG. 5

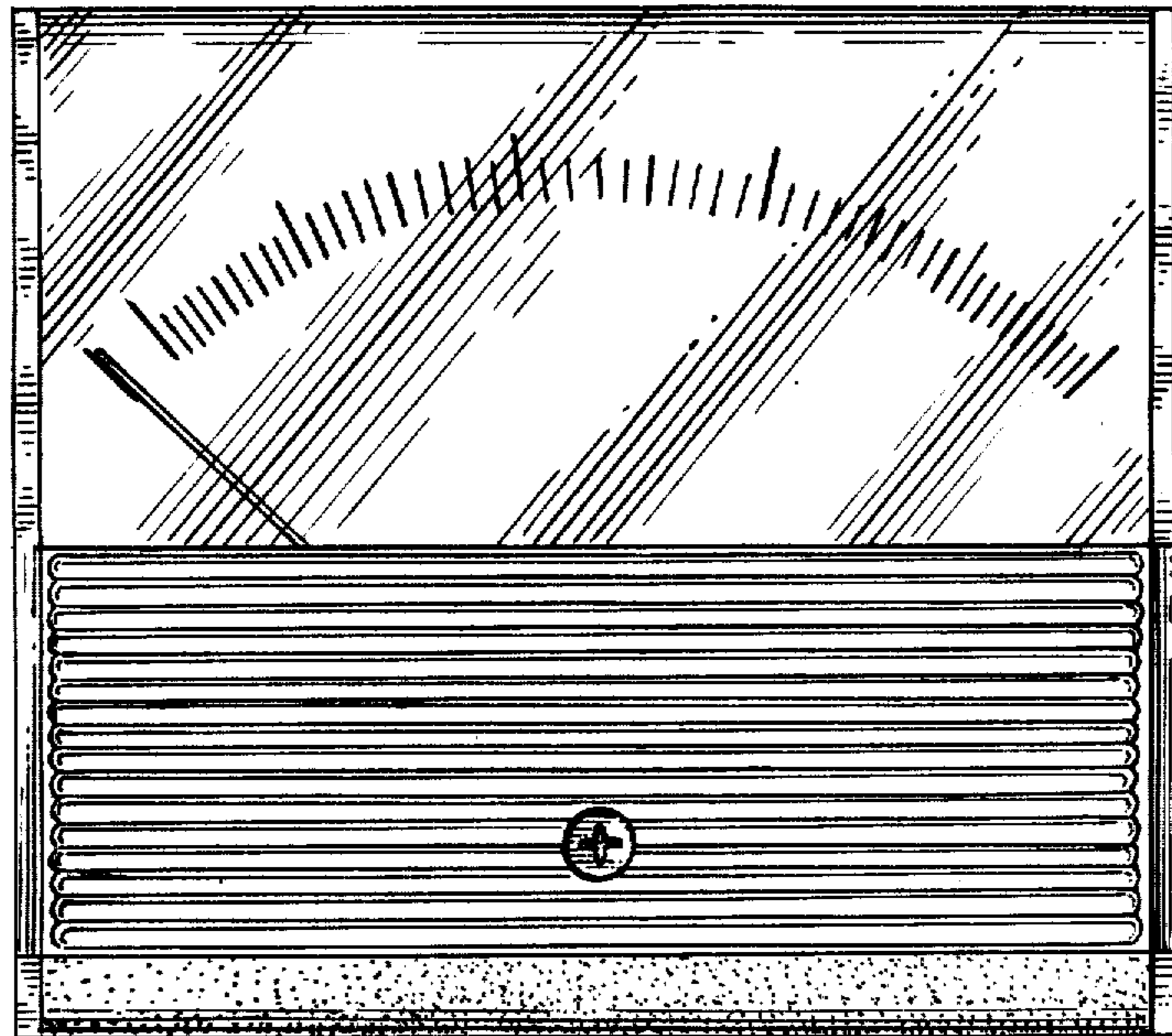


FIG. 6

