

[54] **TIMER**
[76] **Inventor:** Pizzitola, Jr., Frank J., 10311 Sageglow, Houston, Tex. 77089

D. 166,745 5/1952 Gaylord D10/40
D. 181,344 11/1957 Delpidio D10/7
D. 209,411 11/1967 Grant D21/173 X
D. 254,862 4/1980 Botto D21/173

[**] **Term:** 14 years

Primary Examiner—Nelson C. Holtje
Attorney, Agent, or Firm—Bernard A. Reiter

[21] **Appl. No.:** 273,722

[57] **CLAIM**

[22] **Filed:** Jun. 15, 1981

The ornamental design for a timer, as shown and described.

[51] **Int. Cl.** D10—03

[52] **U.S. Cl.** D10/40; D21/173; D10/8

[58] **Field of Search** D10/8 R, 7, 40, 35; D19/59, 62, 64; D21/144, 173 R; 368/97-113

DESCRIPTION

[56] **References Cited**

FIG. 1 is a front elevational view of a timer showing my new design;
FIG. 2 is a right side elevational view thereof;
FIG. 3 is a rear elevational view thereof;
FIG. 4 is a left side elevational view thereof;
FIG. 5 is a top plan view thereof.

U.S. PATENT DOCUMENTS

D. 146,531 3/1947 Tomarin D21/144
D. 150,090 6/1948 Murphy D10/8



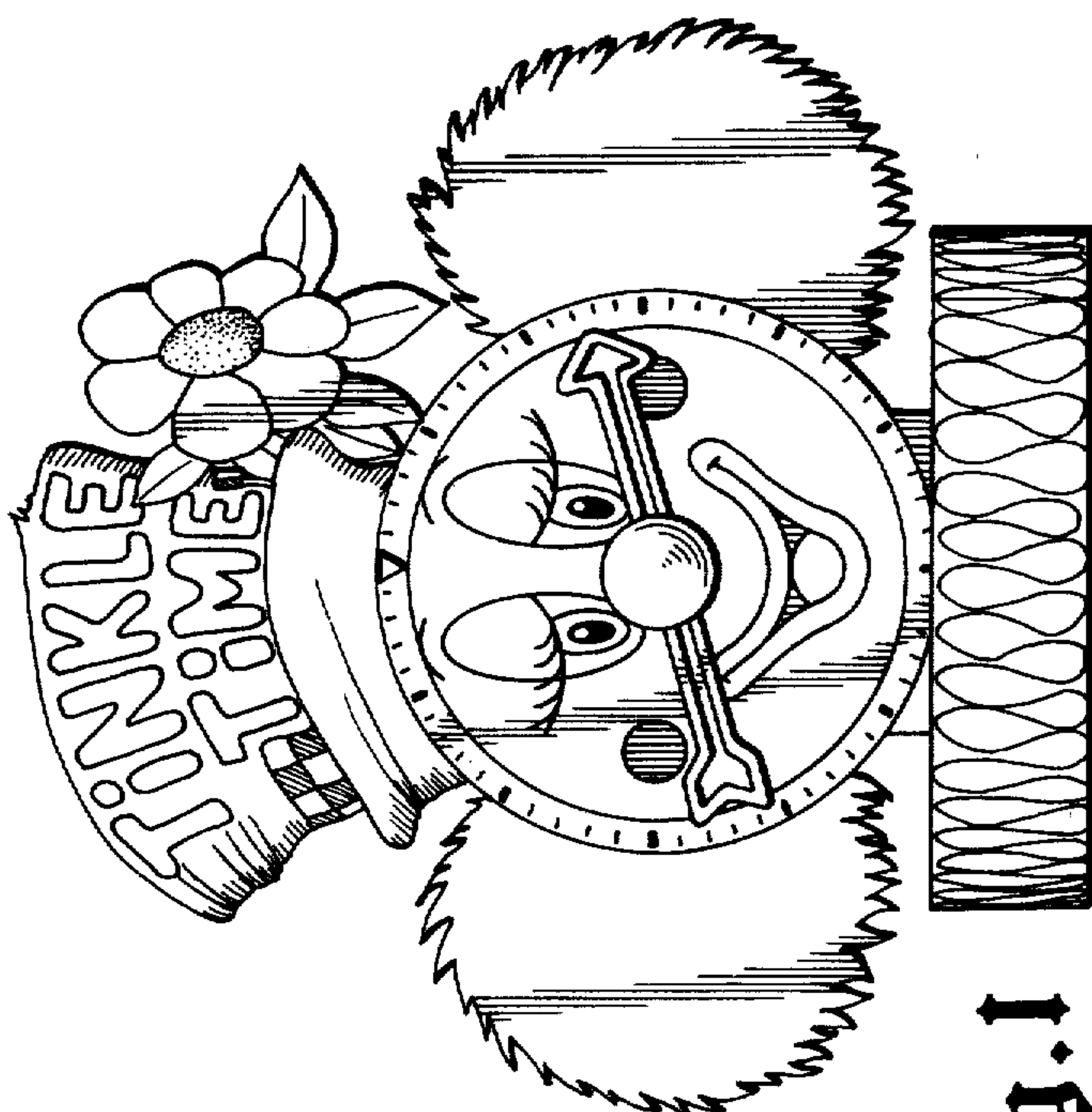


fig. 1

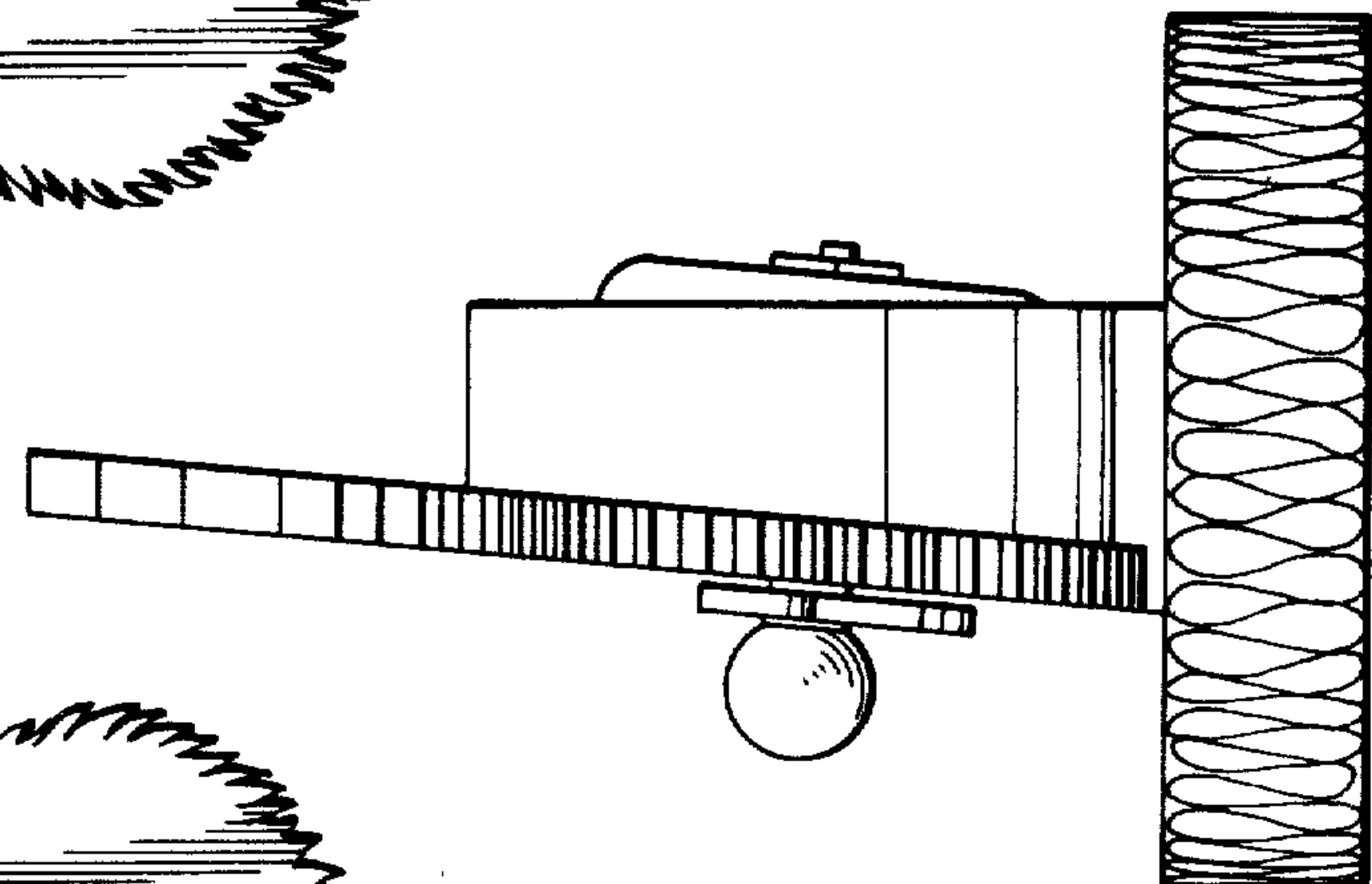


fig. 2

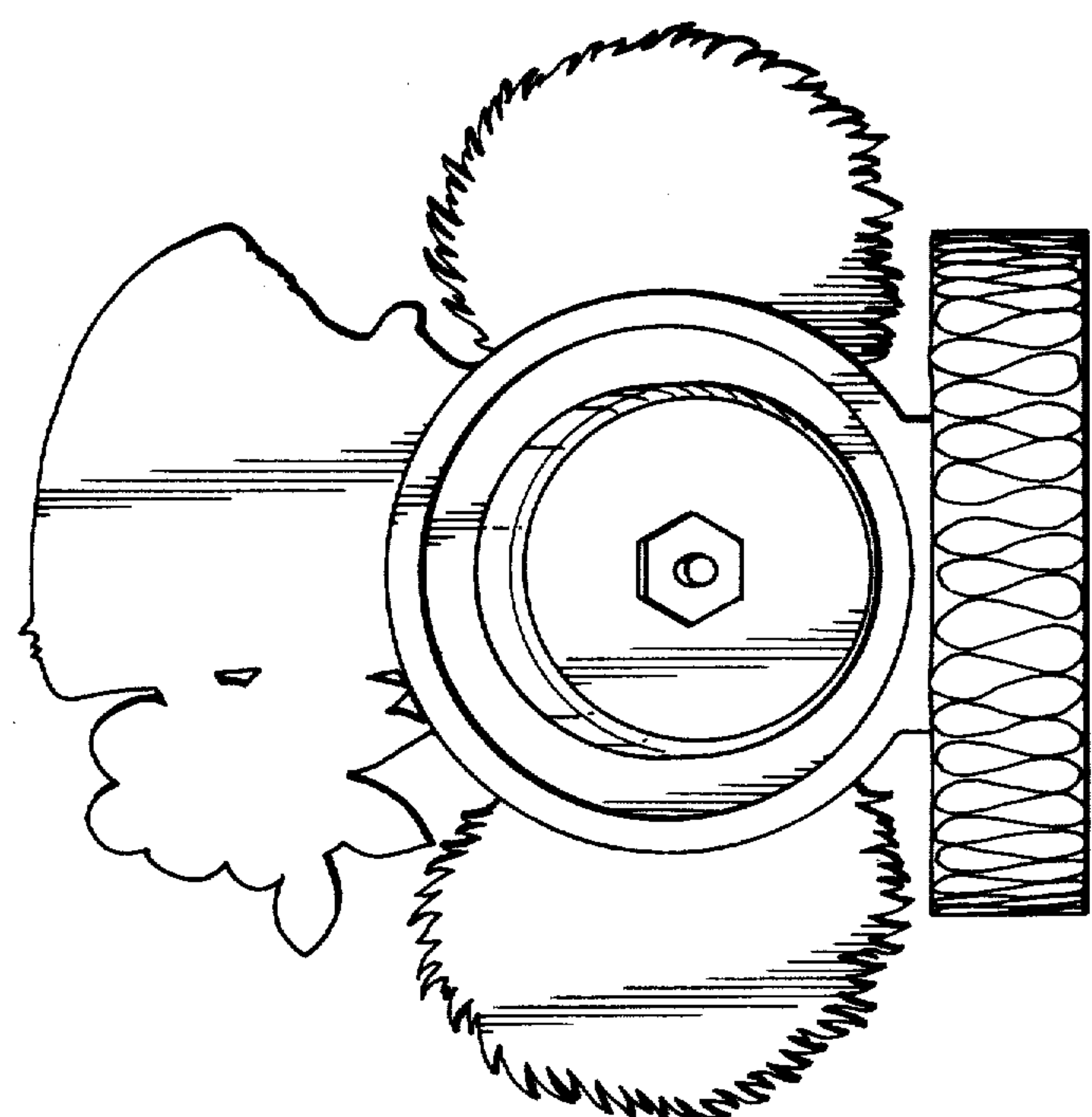


fig. 3

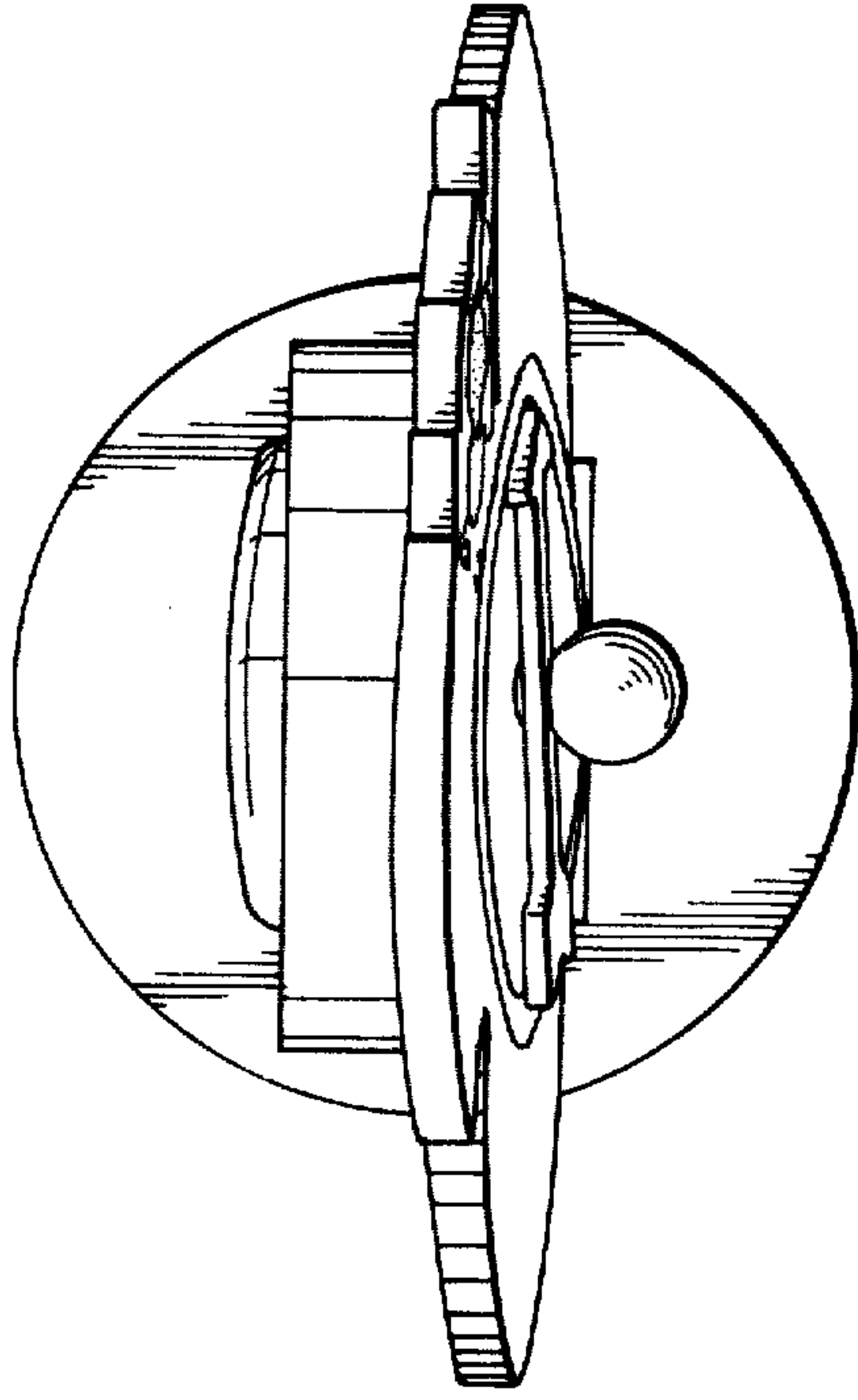


fig. 5

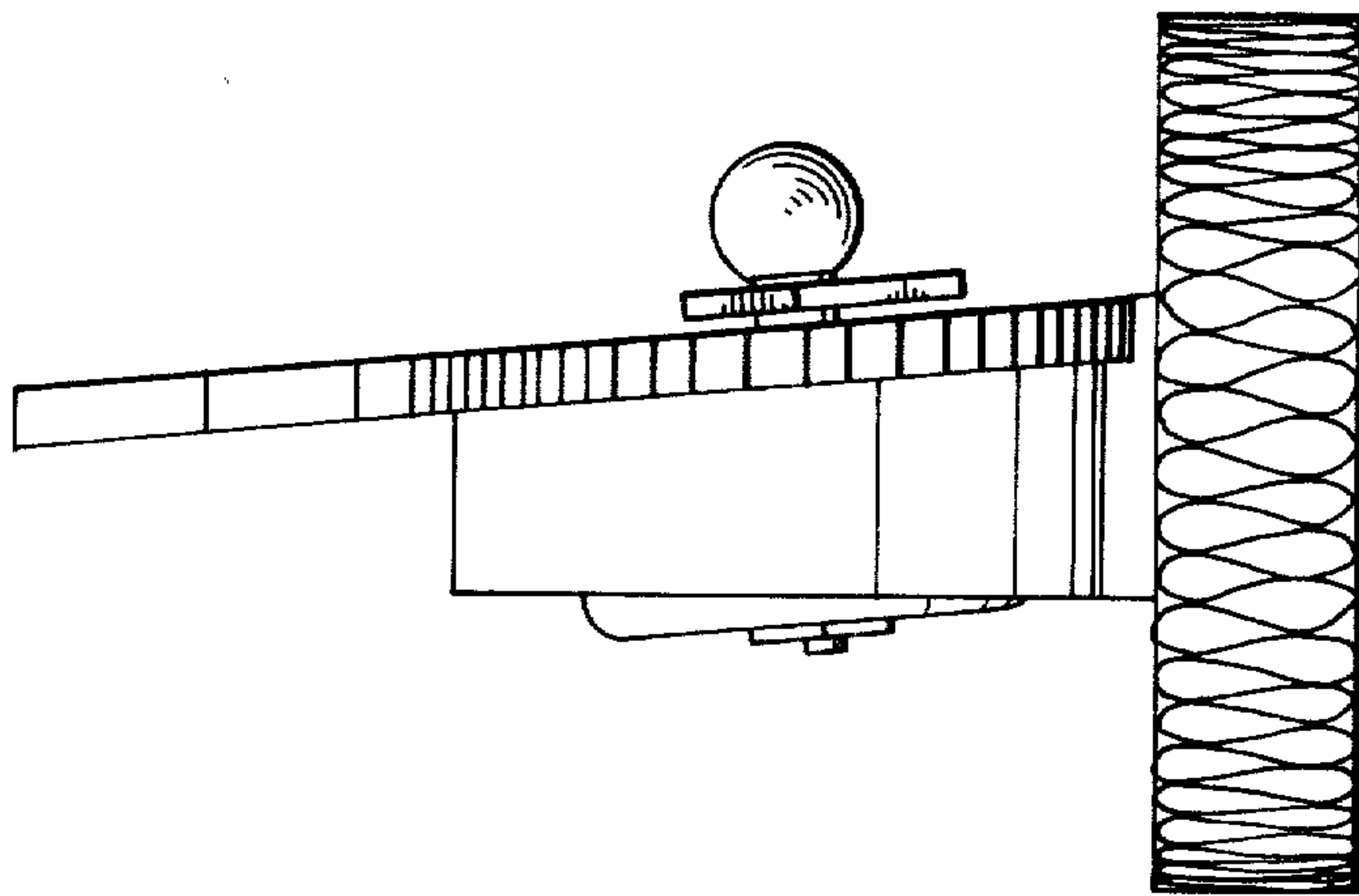


fig. 4