

[54] DUAL LIQUID STORAGE CONTAINER

[75] Inventor: **Ralph A. Bolen**, London, Ohio

[73] Assignee: **John Sawyer**, Cincinnati, Ohio

[**] Term: 14 years

[21] Appl. No.: **269,683**

[22] Filed: **Jun. 2, 1981**

[51] Int. Cl. **D9-03**

[52] U.S. Cl. **D9/337; D9/341**

[58] Field of Search 222/130; 220/1 R, 1 C;
D9/337, 341, 374, 376, 378

[56] **References Cited**

U.S. PATENT DOCUMENTS

- D. 181,948 1/1958 Scanland D9/376
- D. 212,350 10/1968 Kelly D9/376
- D. 213,949 4/1969 Lenhart D9/376

- D. 237,464 11/1975 Ciphers D9/376
- D. 251,772 5/1979 Ernst et al. D9/376 X
- D. 258,866 4/1981 Houseman et al. D9/376
- D. 258,937 4/1981 Kneer D9/376

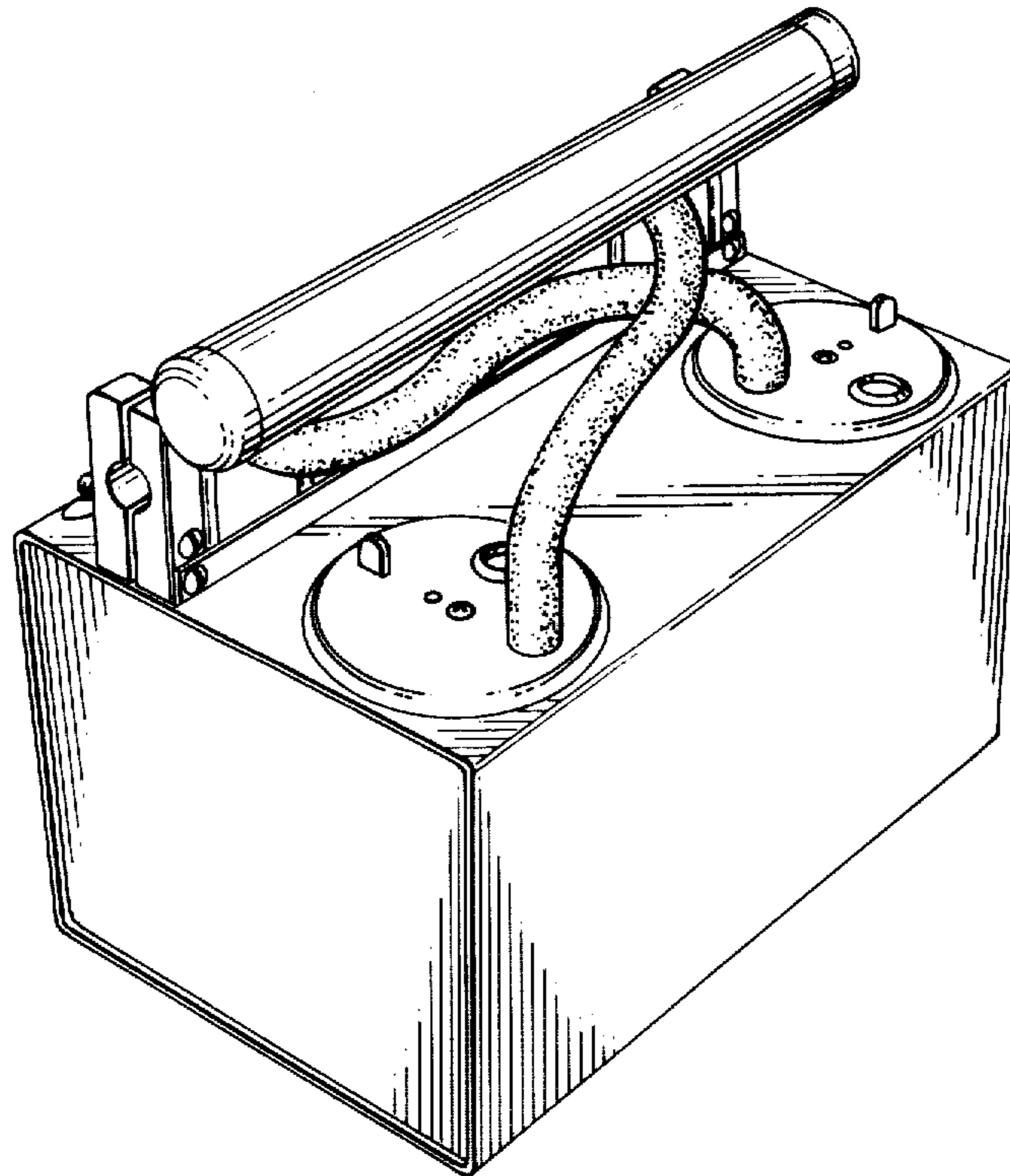
Primary Examiner—Robert C. Spangler
Attorney, Agent, or Firm—King and Liles

[57] **CLAIM**

The ornamental design for a dual liquid storage container, substantially as shown.

DESCRIPTION

FIG. 1 is a perspective view of a dual liquid storage container showing my new design; FIG. 2 is an end view thereof; FIG. 3 is a plan view thereof; FIG. 4 is an elevational view of a first side thereof; FIG. 5 is an elevational view of the opposite side thereof.



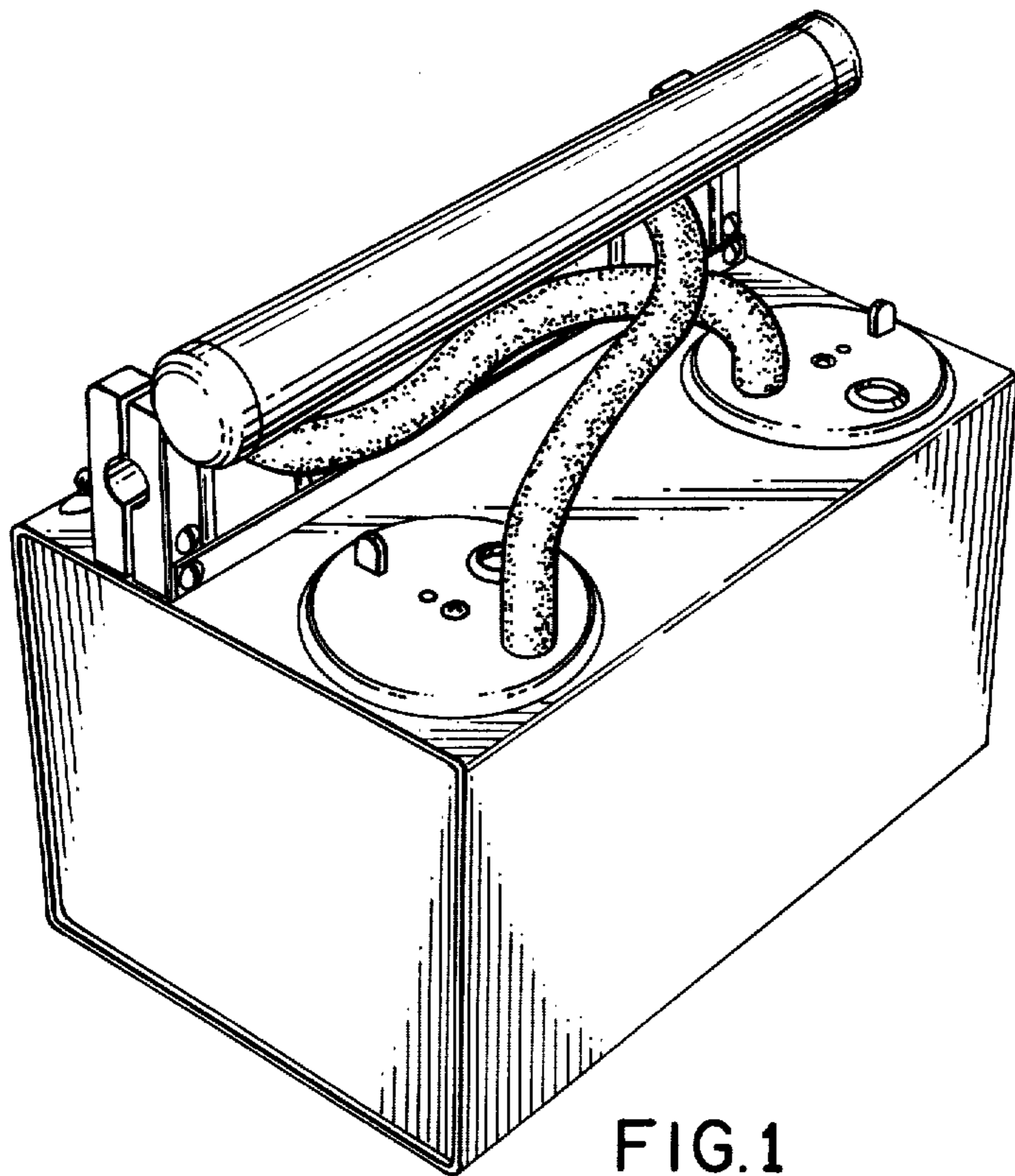


FIG. 1

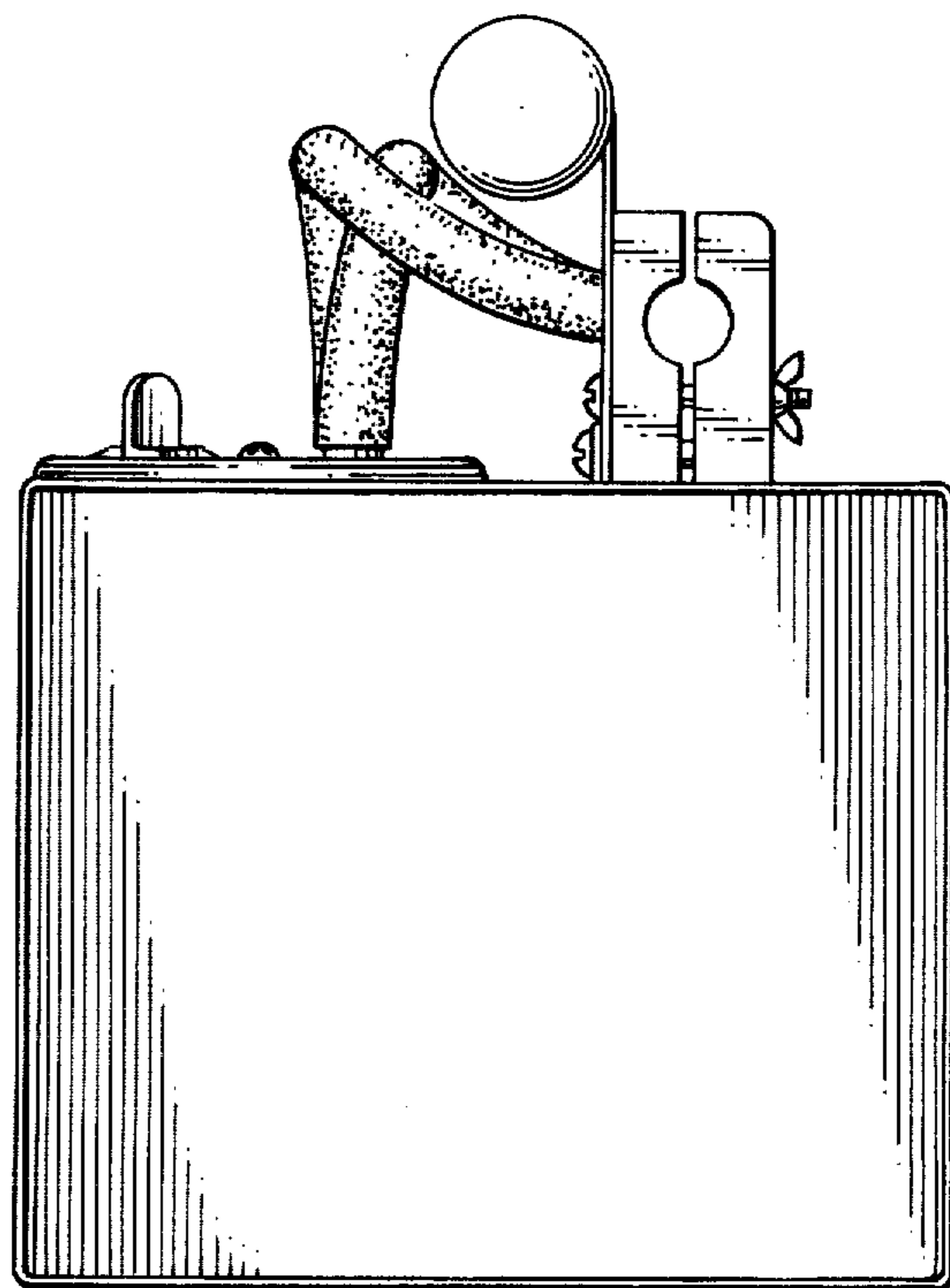


FIG. 2

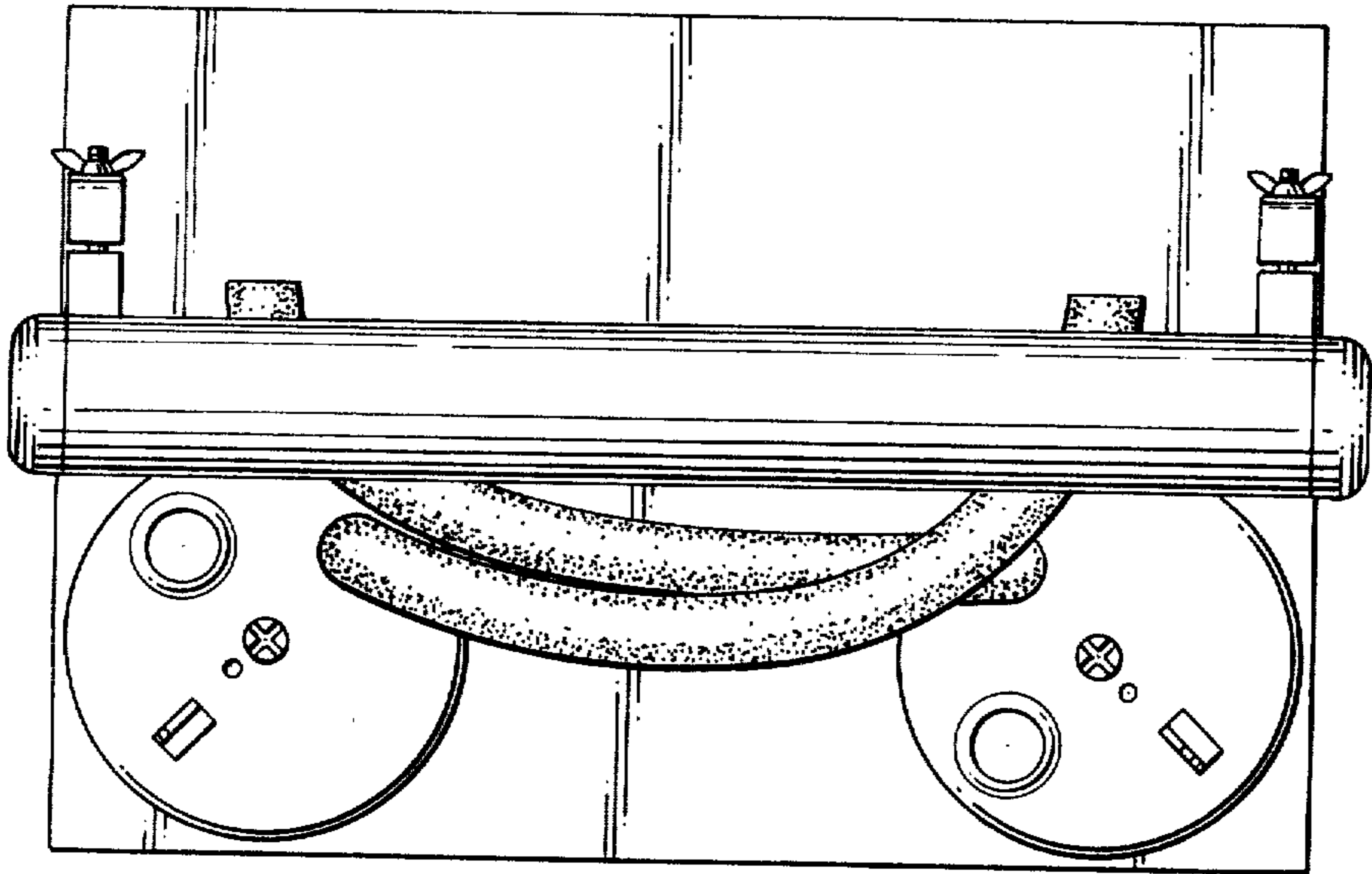


FIG. 3

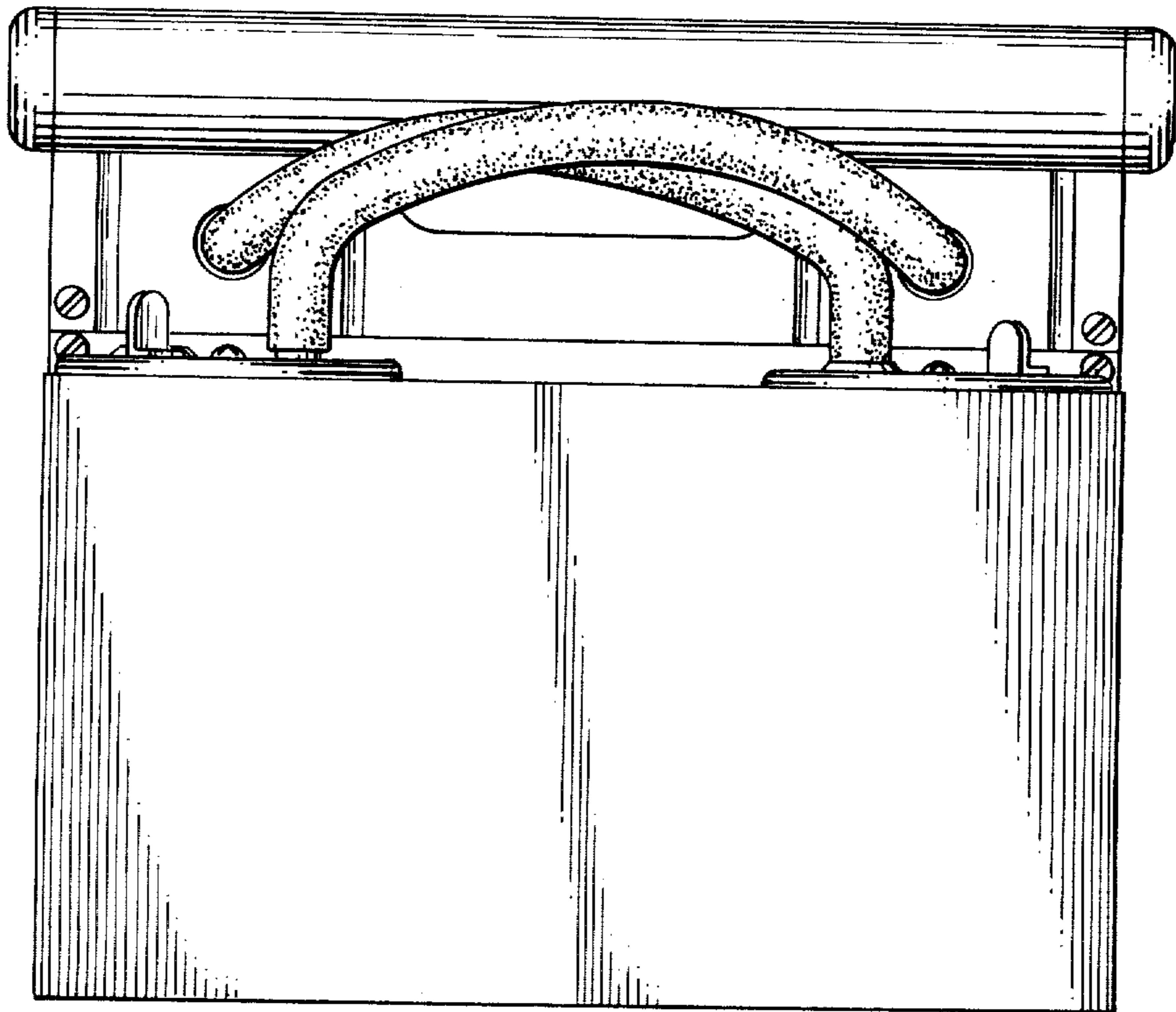


FIG. 4

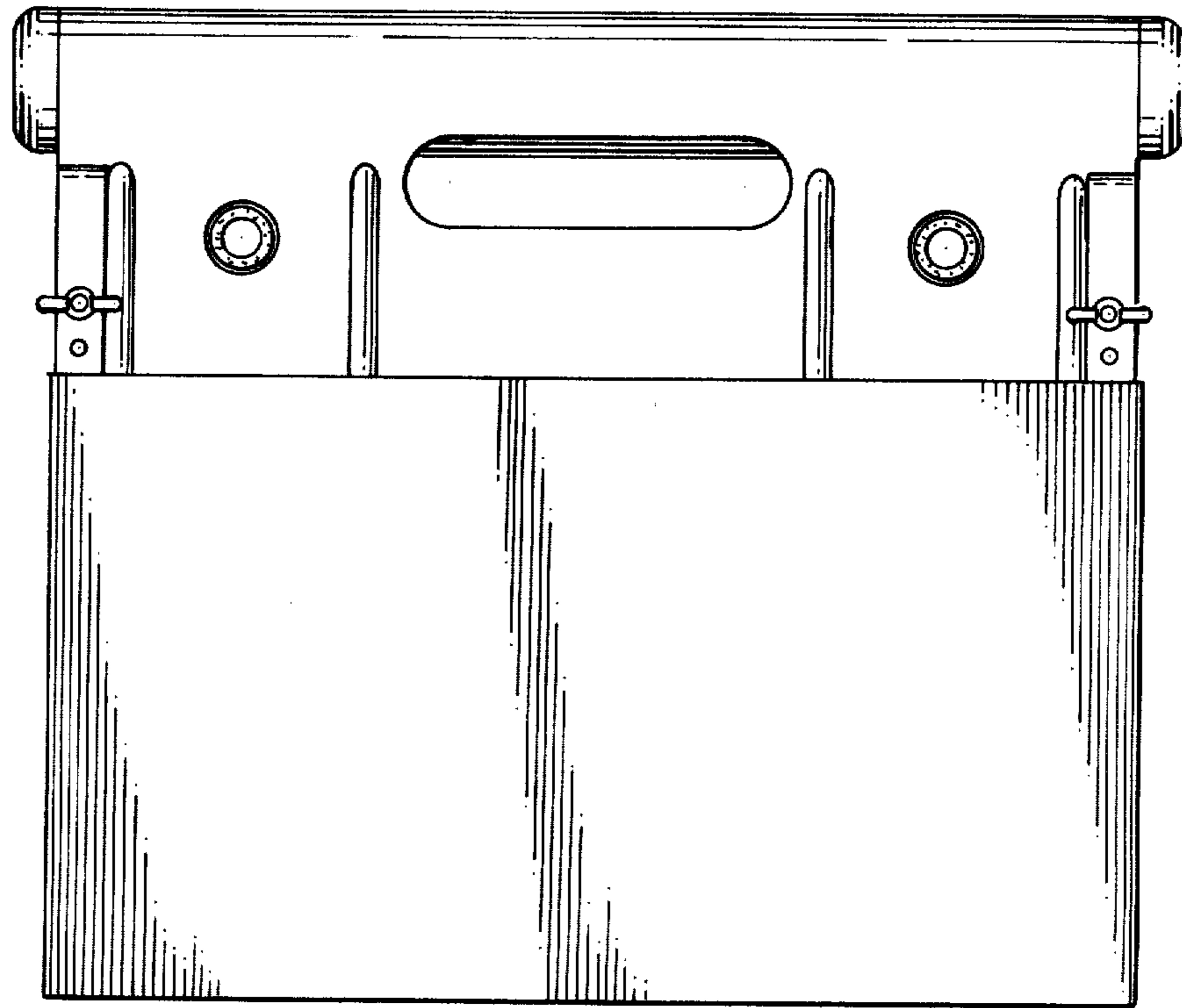


FIG. 5