

[54] **LATCH HOUSING WITH PUSH BUTTON**
 [75] Inventors: **Edwin W. Davis; Lee S. Weinerman,**
 both of Medina, Ohio
 [73] Assignee: **The Eastern Company, Cleveland,**
 Ohio
 [**] Term: 14 years
 [21] Appl. No.: **245,151**
 [22] Filed: **Mar. 18, 1981**

Related U.S. Application Data

[63] Continuation-in-part of Ser. No. 131,779, Mar. 19,
 1980, Pat. No. D. 265,965.
 [51] Int. Cl. **D8-06**
 [52] U.S. Cl. **D8/302**
 [58] Field of Search **D8/300, 302, 306, 308,**
D8/331, 338; 292/216, 336.3, 263, 218, 164,
210, 229; 70/145, 218, 107, 221, 91, 149

References Cited

U.S. PATENT DOCUMENTS

269,953 1/1883 Moritz .
 528,450 10/1894 Swanberg .
 1,751,184 3/1930 Wodarra .
 1,785,381 12/1930 Holtzman .
 1,840,062 1/1932 Taylor .
 1,909,210 5/1933 Miller .
 1,911,564 5/1933 Gahagan .
 1,960,410 5/1934 Christensen .
 1,964,066 6/1934 Kuszmaul .
 2,053,805 9/1936 Van Note .
 2,075,948 4/1937 Kuszmaul .
 2,117,715 5/1938 Godfried .
 2,274,455 2/1942 Murphy .
 2,322,892 6/1943 Springer .
 2,453,505 11/1948 Fornwald .
 2,459,029 1/1949 Ingres et al. .
 2,468,644 4/1949 Springer .
 2,582,928 1/1952 Dall .
 2,603,963 7/1952 Allen .
 2,629,618 2/1953 Roethel .
 2,649,321 8/1953 Smith .
 2,658,781 11/1953 Allen .
 2,700,290 1/1955 Dall .
 2,705,882 4/1955 Craig .
 2,705,884 4/1955 Craig .
 2,723,145 11/1955 Smith .
 2,728,214 12/1955 Craig .

2,772,908 12/1956 Craig .
 2,773,716 12/1956 Craig .
 2,782,062 2/1957 Smith .
 2,877,043 3/1959 Leslie .
 2,978,895 4/1961 Heisler .
 2,987,907 6/1961 Cockburn et al. .
 2,995,864 10/1960 Van Voorhees .
 3,007,731 11/1961 Roethel .
 3,069,889 12/1962 Johnstone et al. .
 3,104,124 9/1963 Beck .
 3,121,580 2/1964 Di Salvo et al. .
 3,129,026 4/1964 Gergoe et al. .
 3,153,551 10/1964 Sandor et al. .
 3,171,677 3/1965 Klove, Jr. et al. .
 3,309,127 3/1967 Pickles .
 3,314,708 4/1967 Welch .
 3,386,760 6/1968 Bessette .
 3,394,957 7/1968 Foley .
 3,423,117 1/1969 Klove, Jr. et al. .
 3,587,259 6/1971 Sandor .
 3,649,061 3/1972 Meyer .
 3,672,713 6/1972 Pickles .
 3,679,251 7/1972 Brockman et al. .
 3,695,660 10/1972 Fetters .
 3,695,663 10/1972 Cockburn .
 3,697,105 10/1972 Marx .
 4,116,027 9/1978 Tannery .
 4,170,119 10/1979 Kalis, Jr. .

FOREIGN PATENT DOCUMENTS

135399 9/1947 Australia .
 717308 2/1942 Fed. Rep. of Germany .

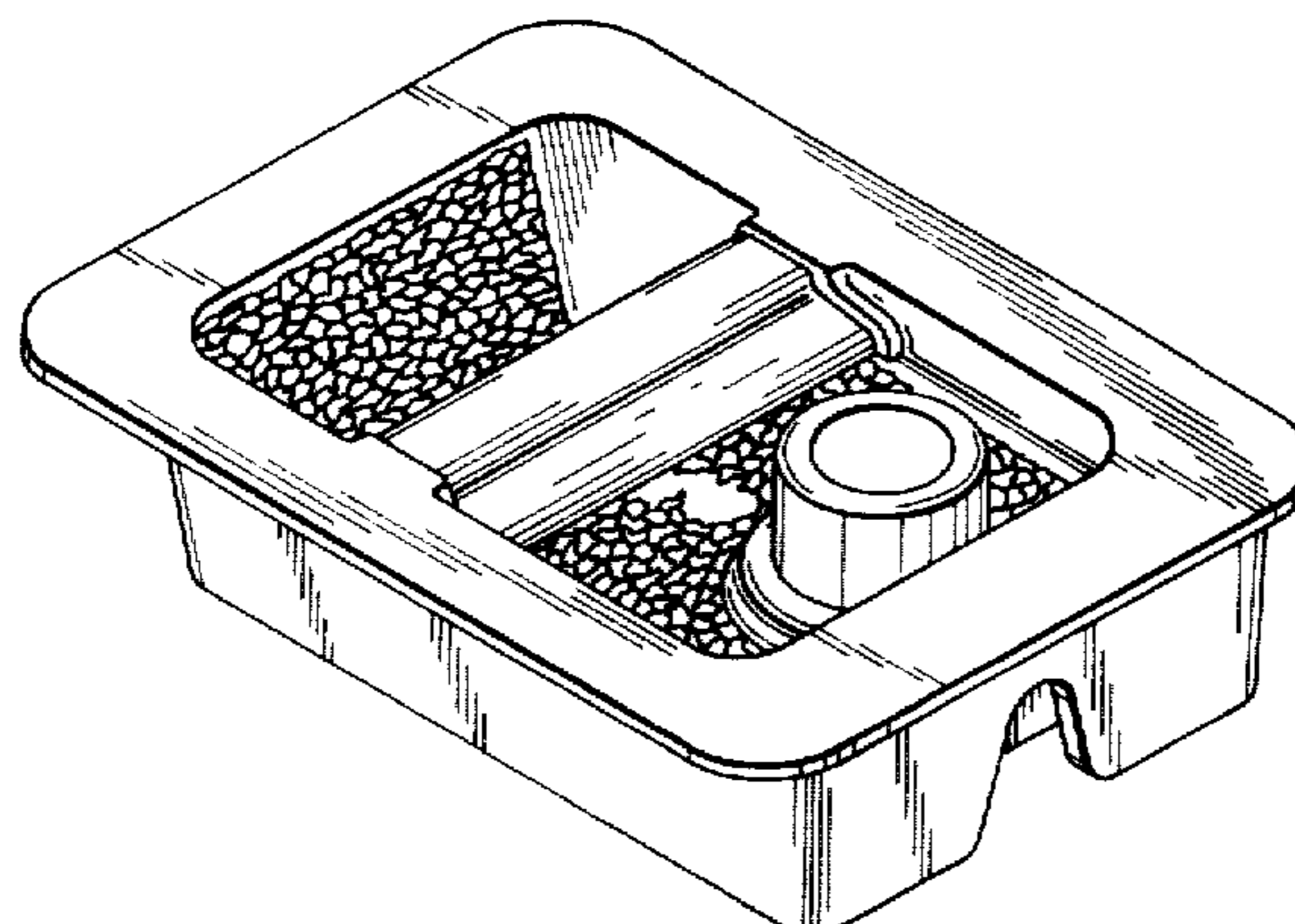
Primary Examiner—A. Hugo Word
Attorney, Agent, or Firm—David A. Burge

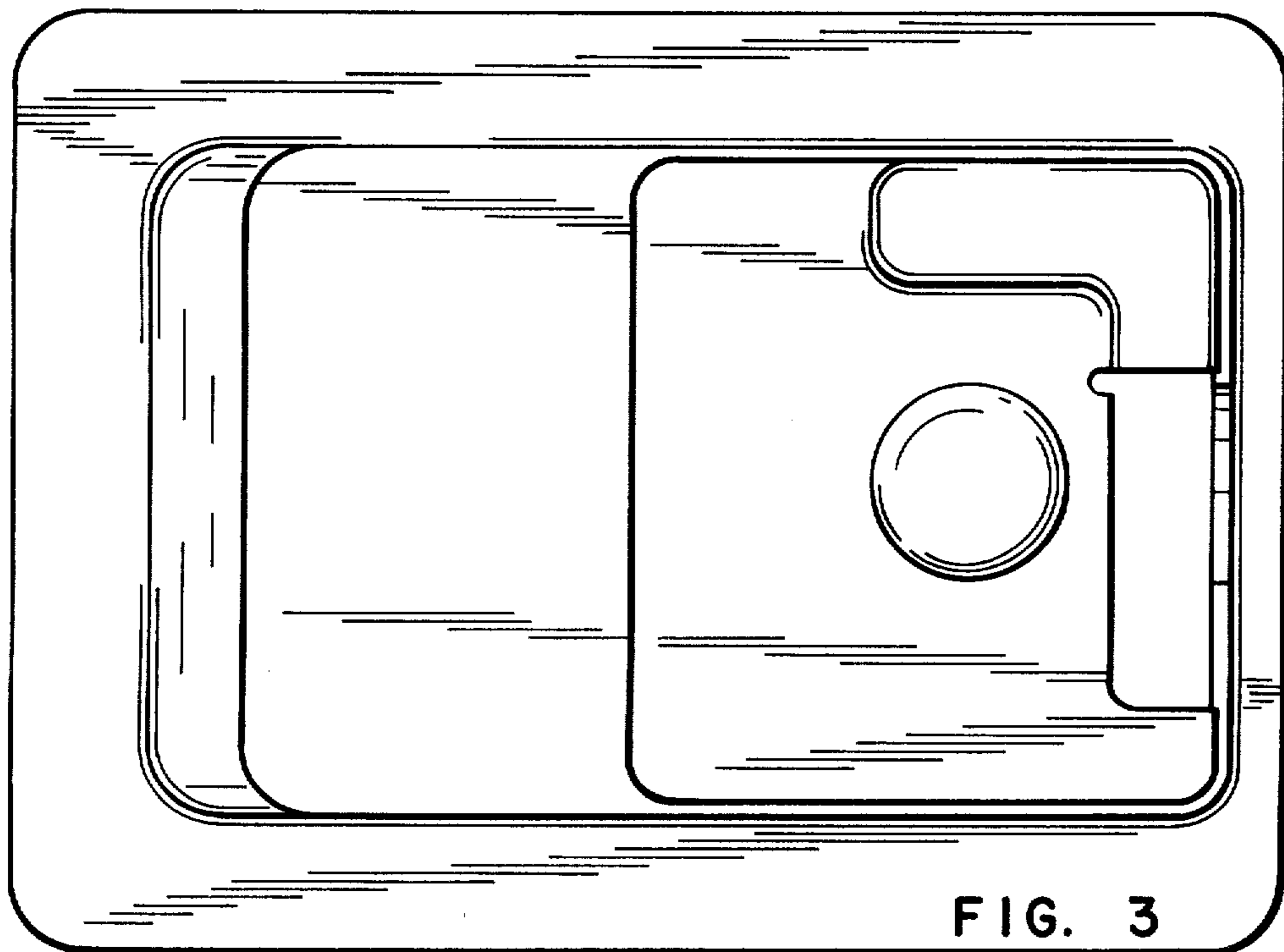
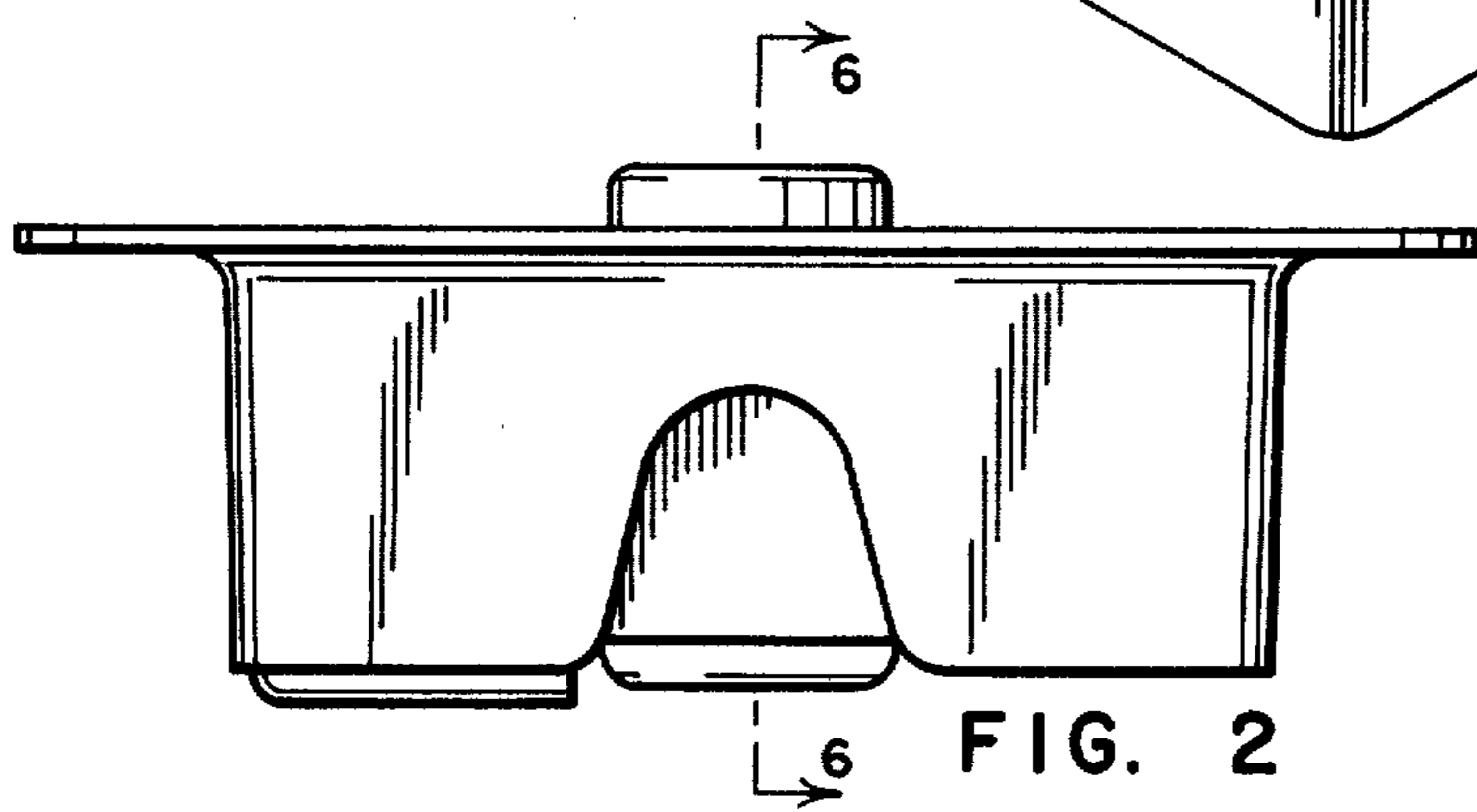
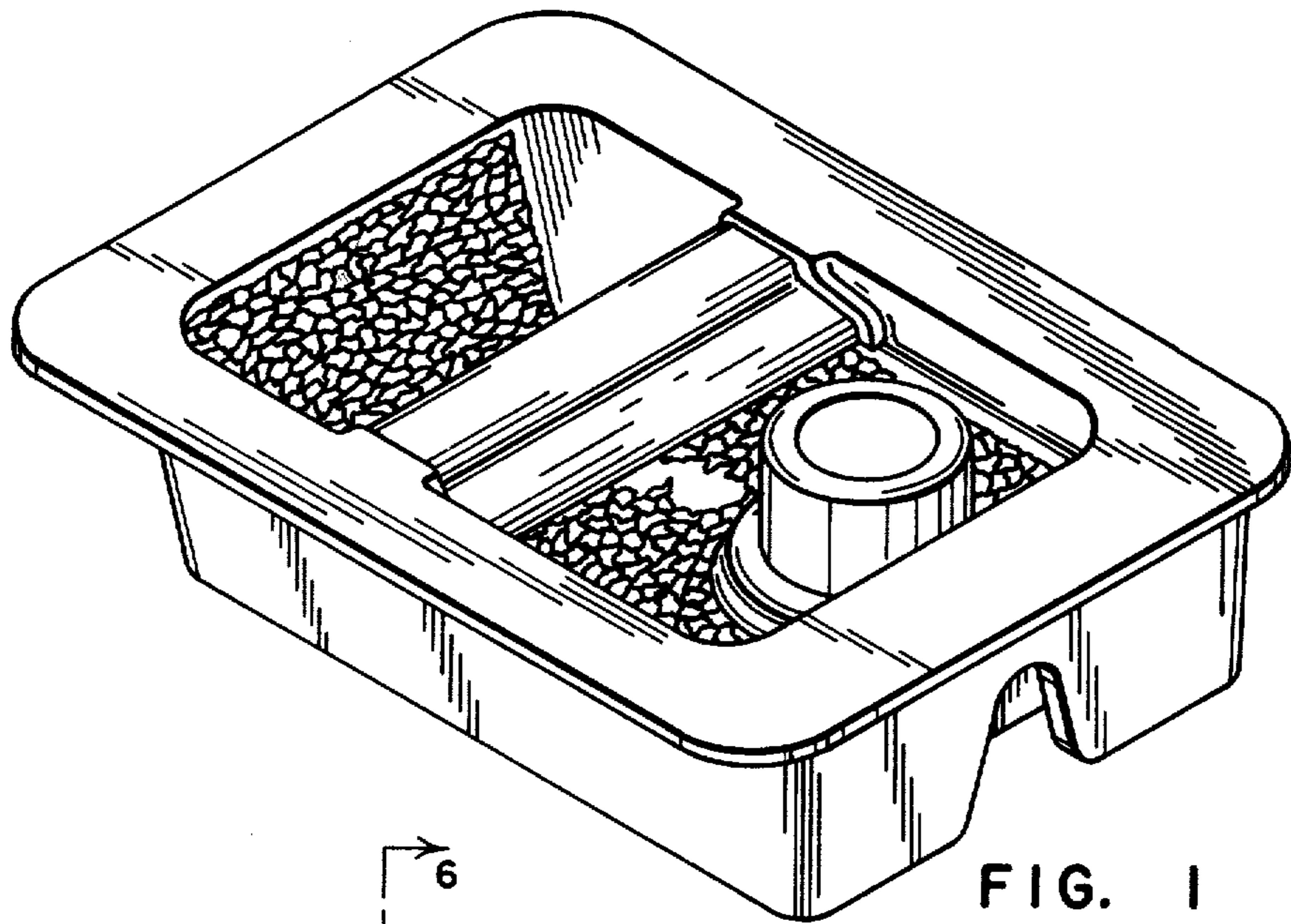
[57] **CLAIM**

The ornamental design for a latch housing with push button, as shown and described.

DESCRIPTION

FIG. 1 is a perspective view of a latch housing with push button embodying the design of the present invention;
 FIG. 2 is an end elevational view thereof;
 FIG. 3 is a bottom plan view thereof;
 FIG. 4 is a side elevational view thereof;
 FIG. 5 is a top plan view thereof on an enlarged scale; and
 FIG. 6 is a sectional view thereof as seen from a plane indicated by a line 6—6 in FIG. 2.





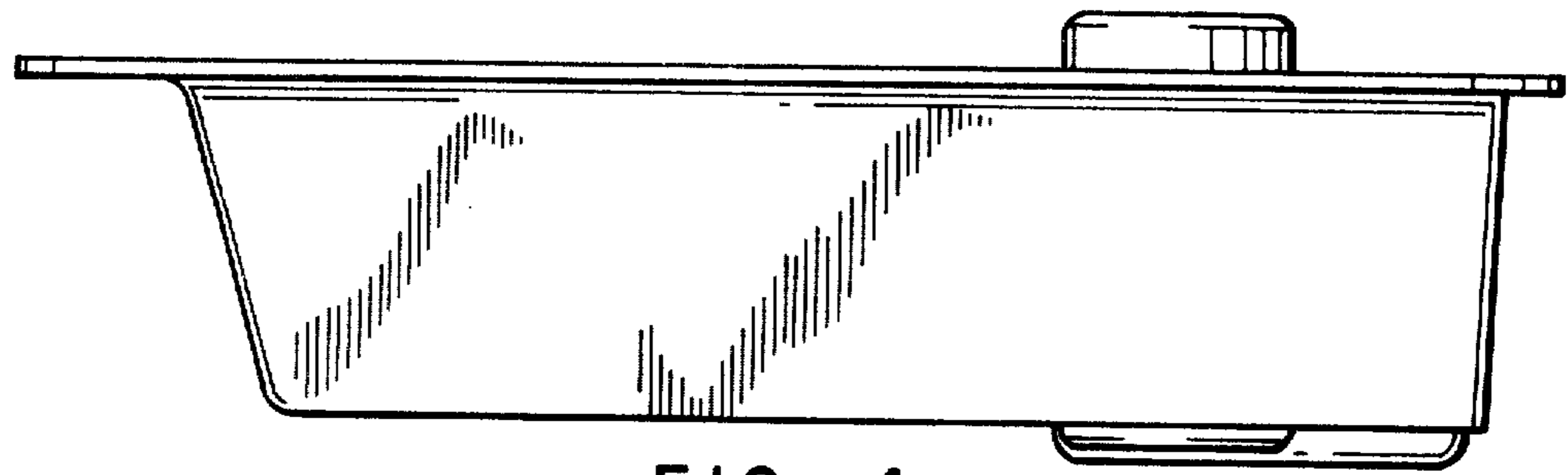


FIG. 4

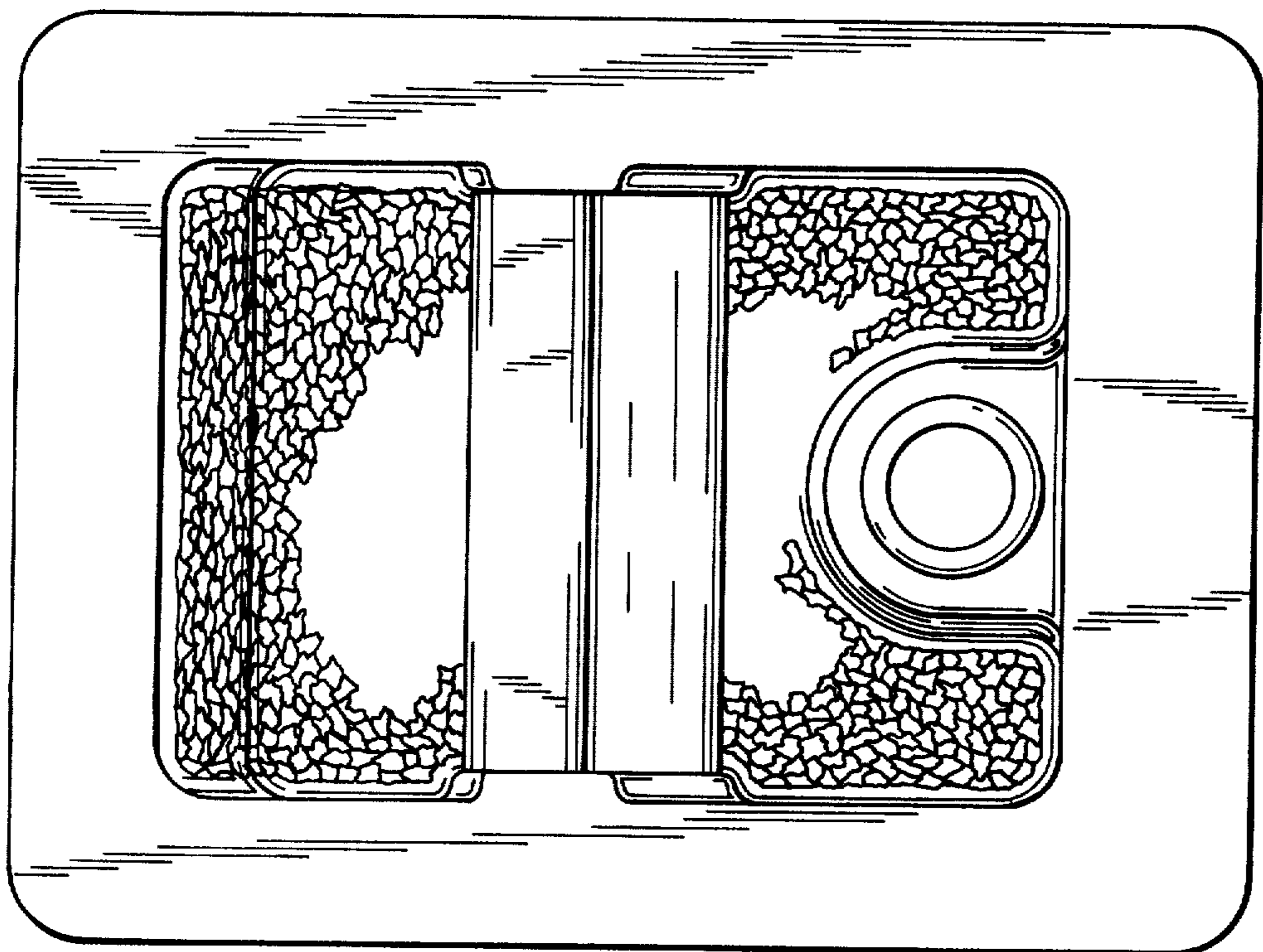


FIG. 5

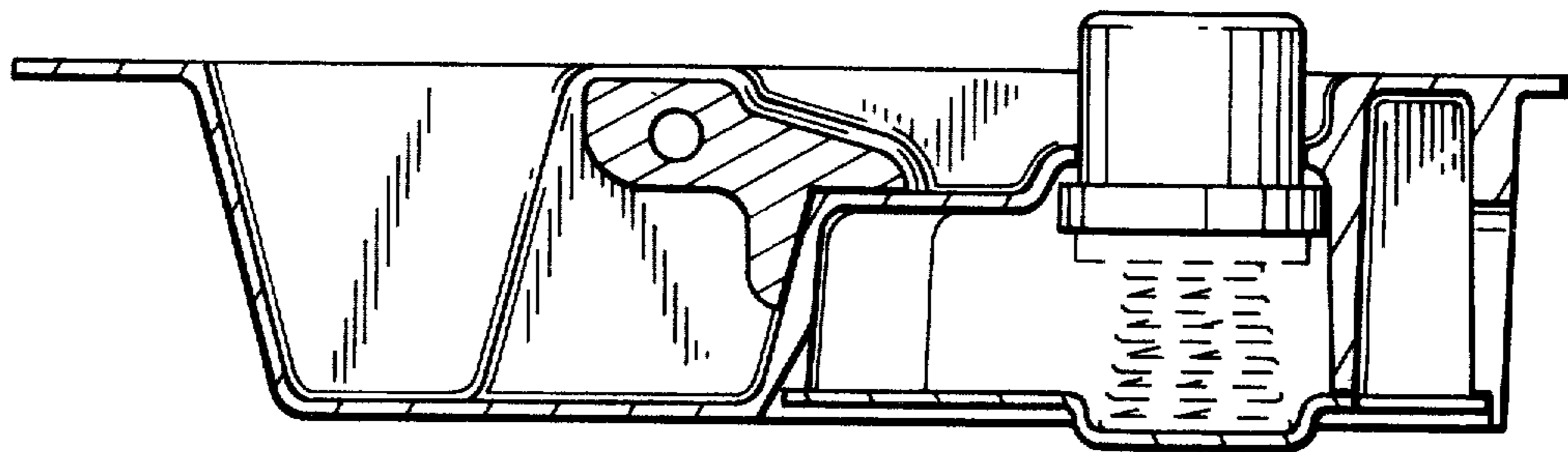


FIG. 6