

[54] ELECTRICAL CONNECTOR APPLICATION TOOL

[75] Inventor: James J. Johnston, Old Saybrook, Conn.

[73] Assignee: Akzona Incorporated, Asheville, N.C.

[**] Term: 14 years

[21] Appl. No.: 188,604

[22] Filed: Sep. 18, 1980

[51] Int. Cl. D8-05

[52] U.S. Cl. D8/14; D8/98; D8/105

[58] Field of Search 7/107; 30/90.1; 81/9.5 C, 9.5 R; 29/566.4, 566.1, 564.4, 750, 751, 758, 759, 760, 749; 269/903; 339/45 M, 75 M, 46, 91 R; D8/14, 98, 105

[56] References Cited

U.S. PATENT DOCUMENTS

- D. 196,677 10/1963 Johnson D8/98
- D. 246,570 12/1977 Christiansen D8/98
- 698,567 4/1902 Sibley 81/9.5 C

- 2,163,716 6/1939 Turner 29/749
- 3,620,104 11/1971 Horrocks 30/90.1
- 3,819,104 6/1974 Lang 29/751
- 3,926,497 12/1975 Elgenbrode 339/91 R
- 4,038,745 8/1977 Nijman 29/751
- 4,288,918 9/1981 Nijman 29/751 X

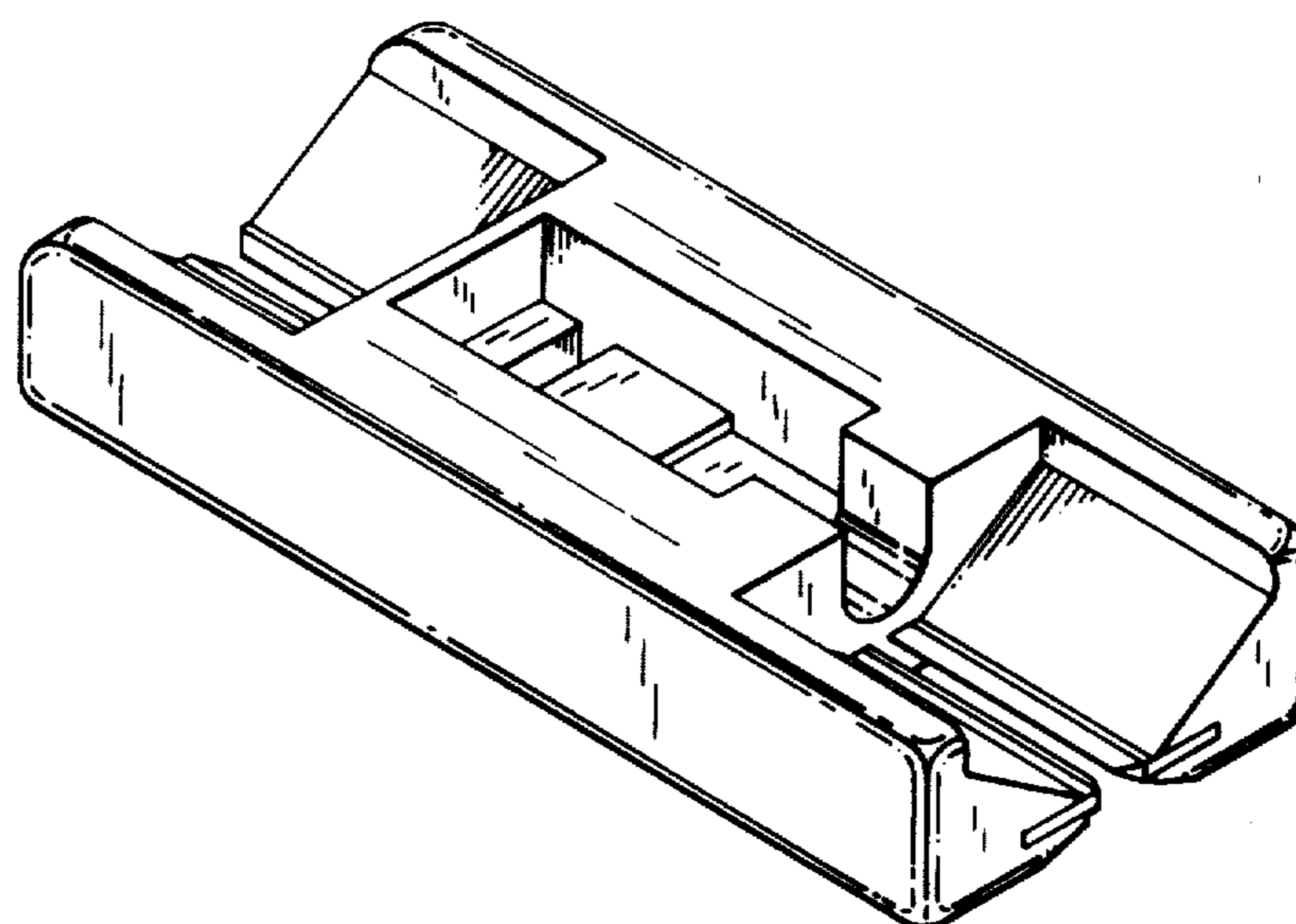
Primary Examiner—Robert C. Spangler
Attorney, Agent, or Firm—McCormick, Paulding & Huber

[57] CLAIM

The ornamental design for an electrical connector application tool, as shown and described.

DESCRIPTION

FIG. 1 is a perspective view of an electrical connector application tool showing my new design;
 FIG. 2 is a top view thereof;
 FIG. 3 is a bottom view thereof;
 FIG. 4 is a side elevational view of the tool of FIG. 2, the opposite side being a mirror image thereof;
 FIG. 5 is an end view thereof showing the left-hand end of the tool of FIG. 2; and
 FIG. 6 is an end view thereof showing the right-hand end of the tool of FIG. 2.



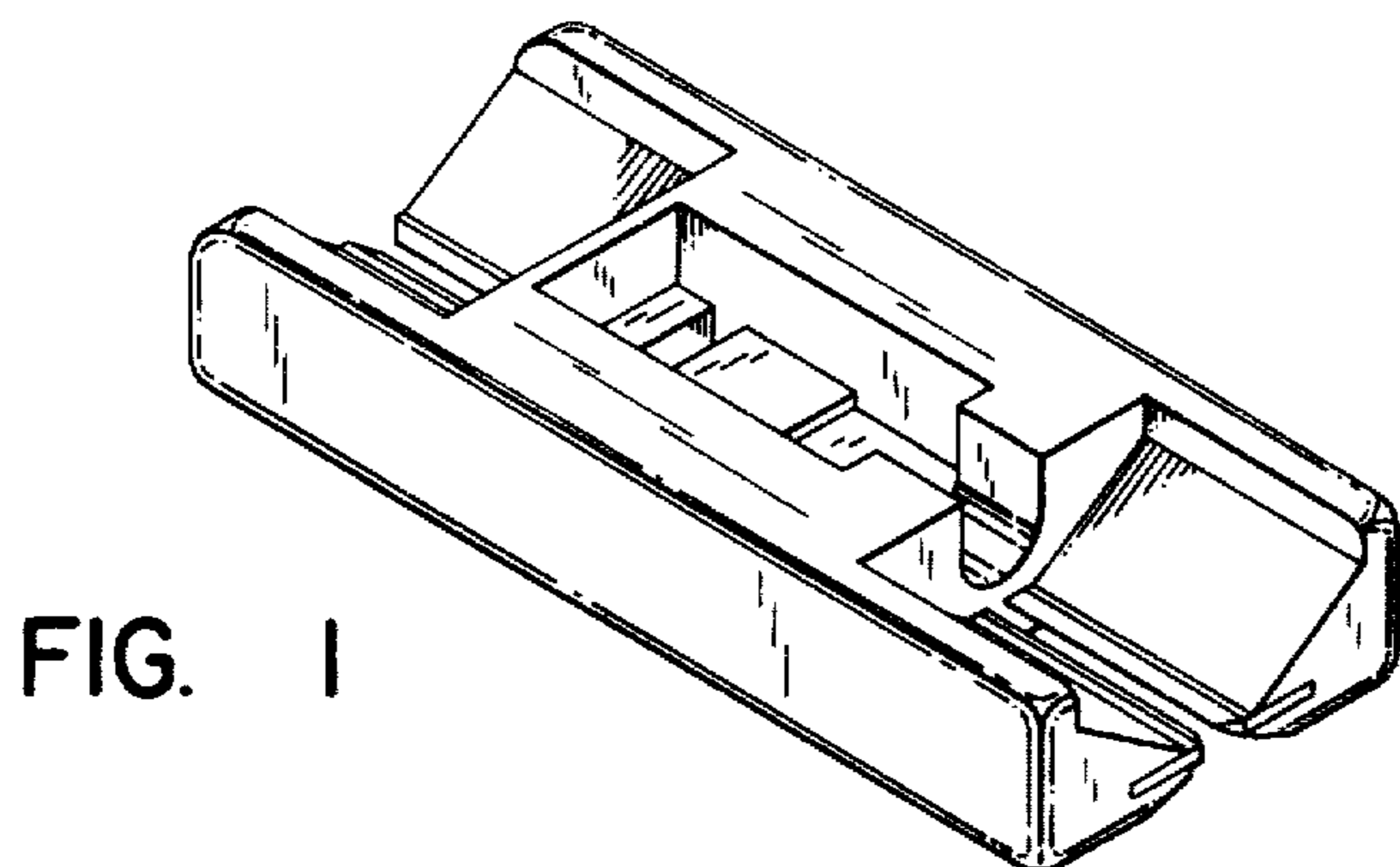


FIG. 1

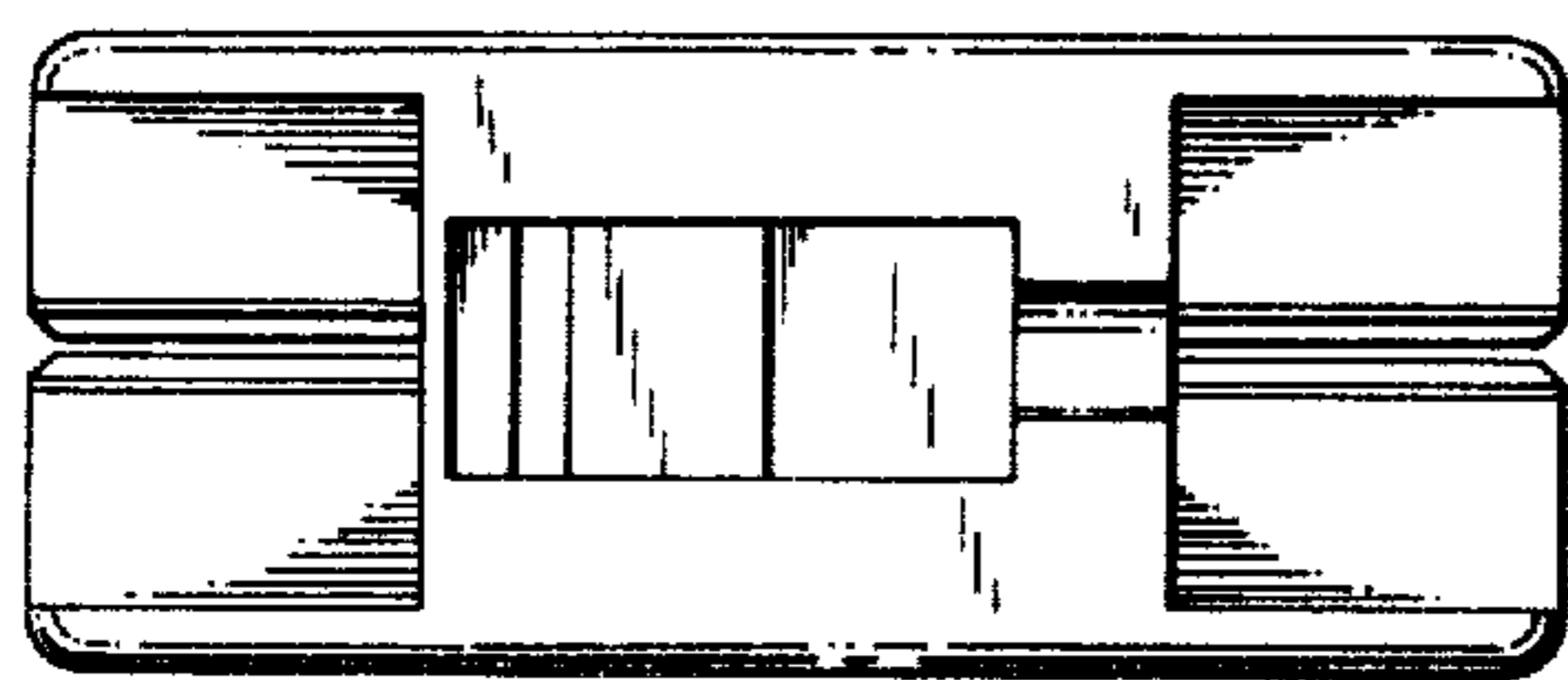


FIG. 2



FIG. 5

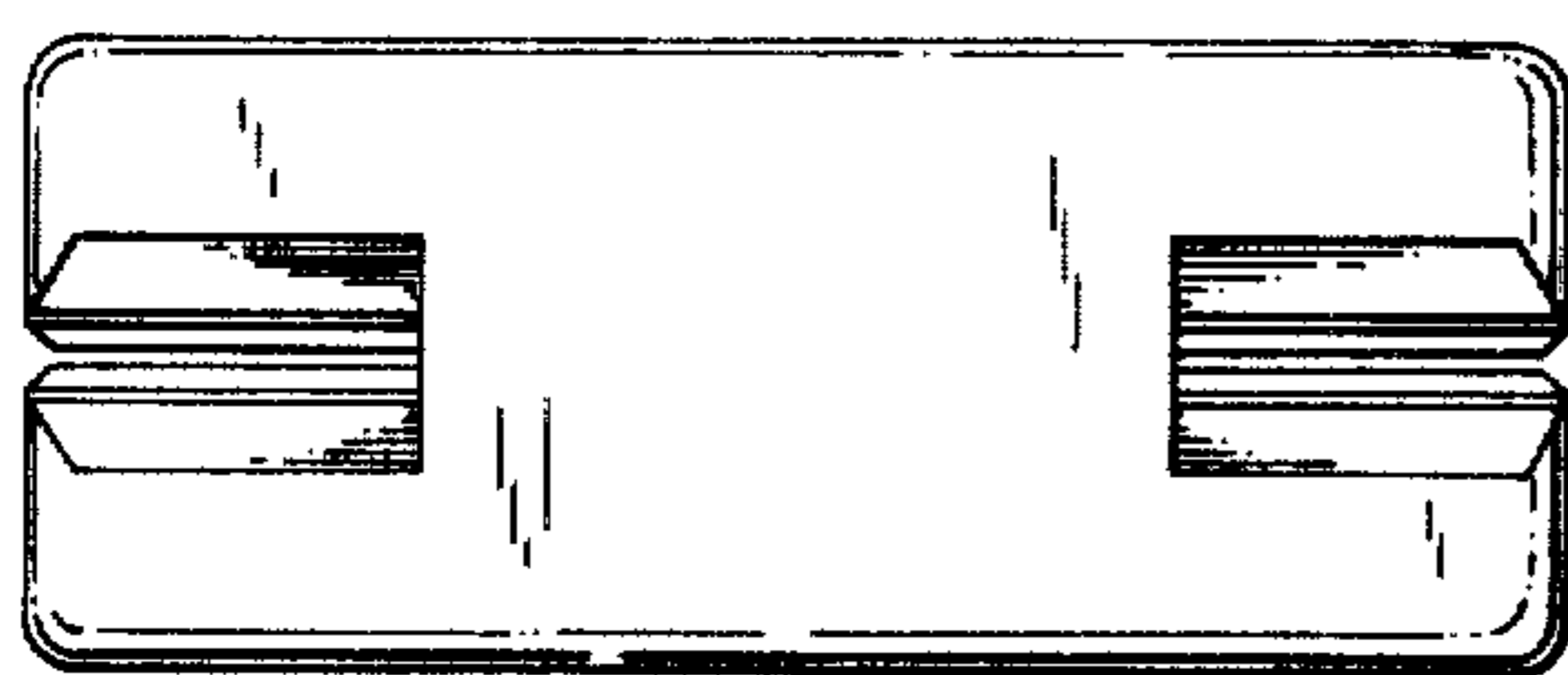


FIG. 3



FIG. 6

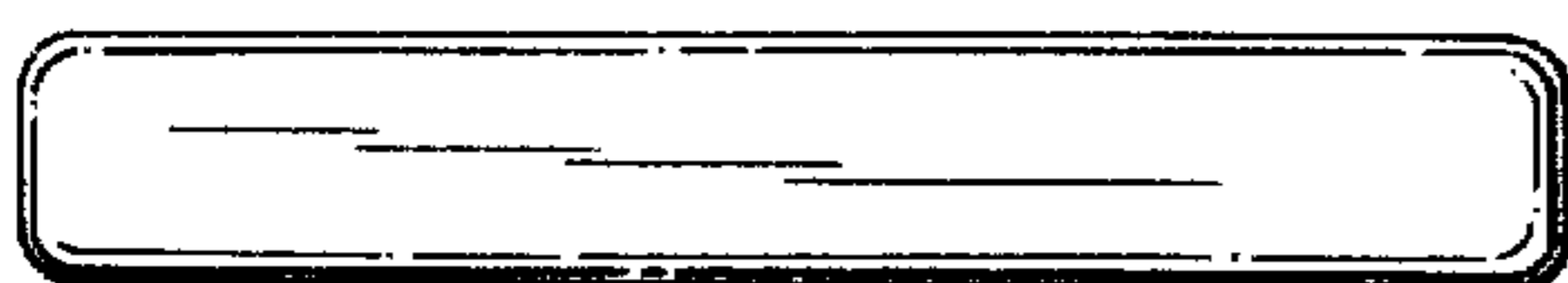


FIG. 4