

[54] CONVERTIBLE CHAIR

[76] Inventor: Gordon L. Kyle, 211 Great Neck Rd., Waterford, Conn. 06385

[**] Term: 14 years

[21] Appl. No.: 270,634

[22] Filed: Jun. 4, 1981

[51] Int. Cl. D6-05

[52] U.S. Cl. D6/64; D6/42

[58] Field of Search D6/4, 42, 45, 47-78, D6/177; 297/157, 118, 119, 122, 124-125

[56] References Cited

U.S. PATENT DOCUMENTS

D. 54,697	3/1920	South	D6/64
D. 161,601	1/1951	Vella	D6/64
D. 249,307	9/1978	Hall	D6/76 X
D. 266,717	11/1982	Staton	D6/75
1,741,192	12/1929	Kusterer	297/124 X

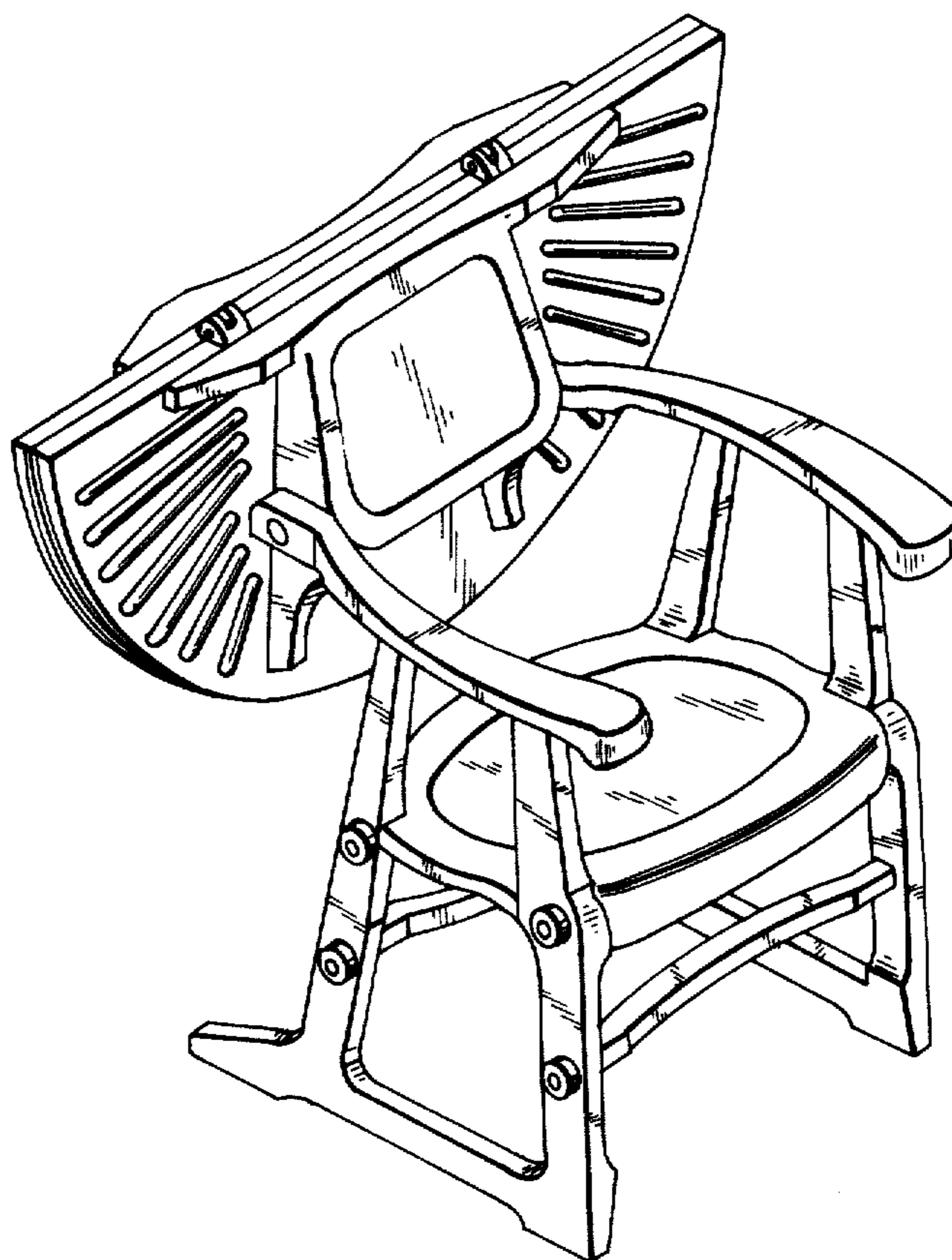
Primary Examiner—Bruce W. Dunkins
Attorney, Agent, or Firm—Mark H. Jay

[57] CLAIM

The ornamental design for a convertible chair, as shown and described.

DESCRIPTION

FIG. 1 is a front perspective view of a convertible chair showing my design in its position for use as a chair; FIG. 2 is a perspective front view of the invention in which it is displayed in a configuration intermediate its chair configuration and its table configuration; FIG. 3 is a perspective view of the convertible chair showing my design in its fully converted position for use as a table; FIG. 4 is a front view of the invention in its chair configuration; FIG. 5 is a rear view of the invention in its chair configuration; and FIG. 6 is a side view of the invention in its chair configuration. The side of the convertible chair not shown is a mirror image of the side shown in FIG. 6.



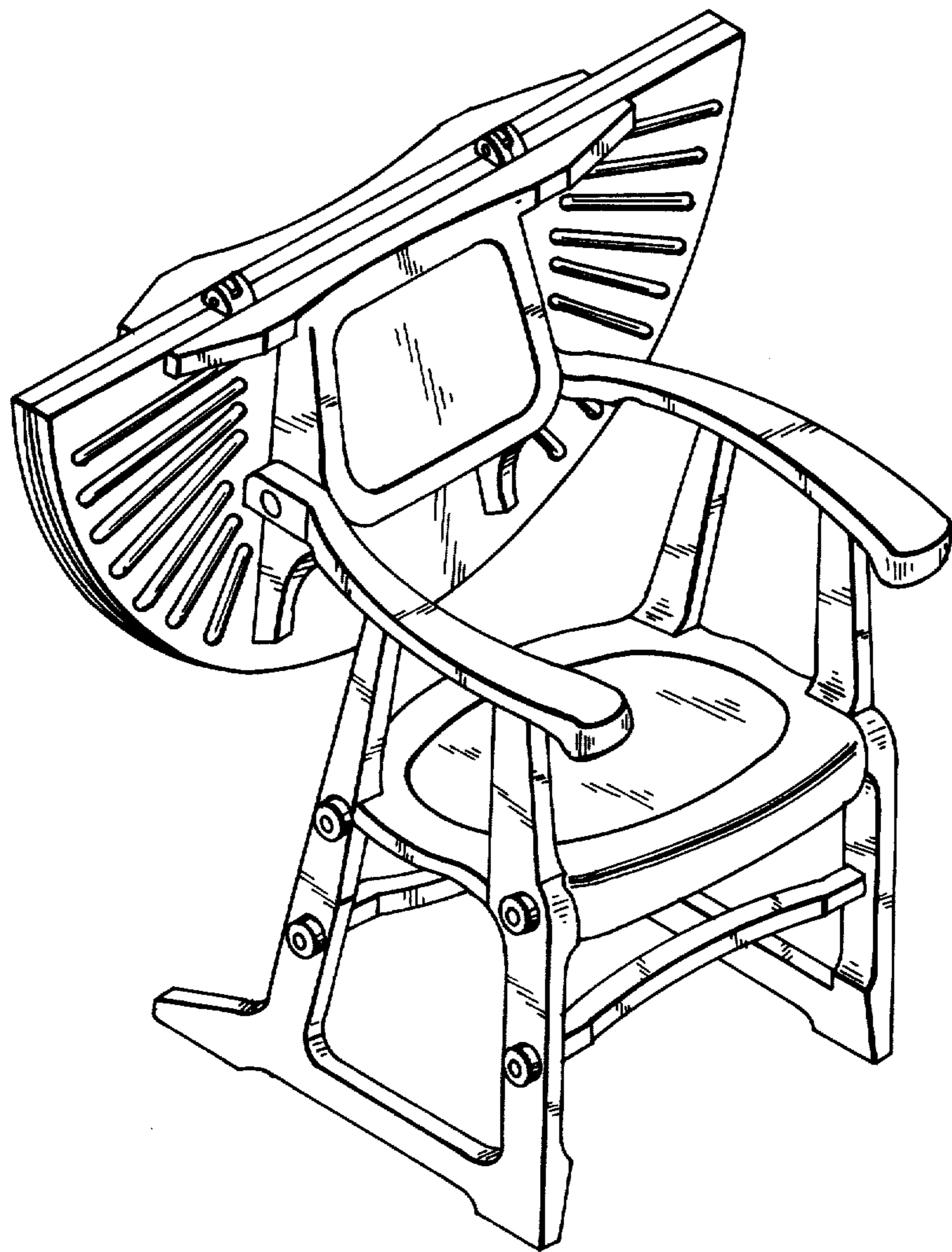


FIG. 1

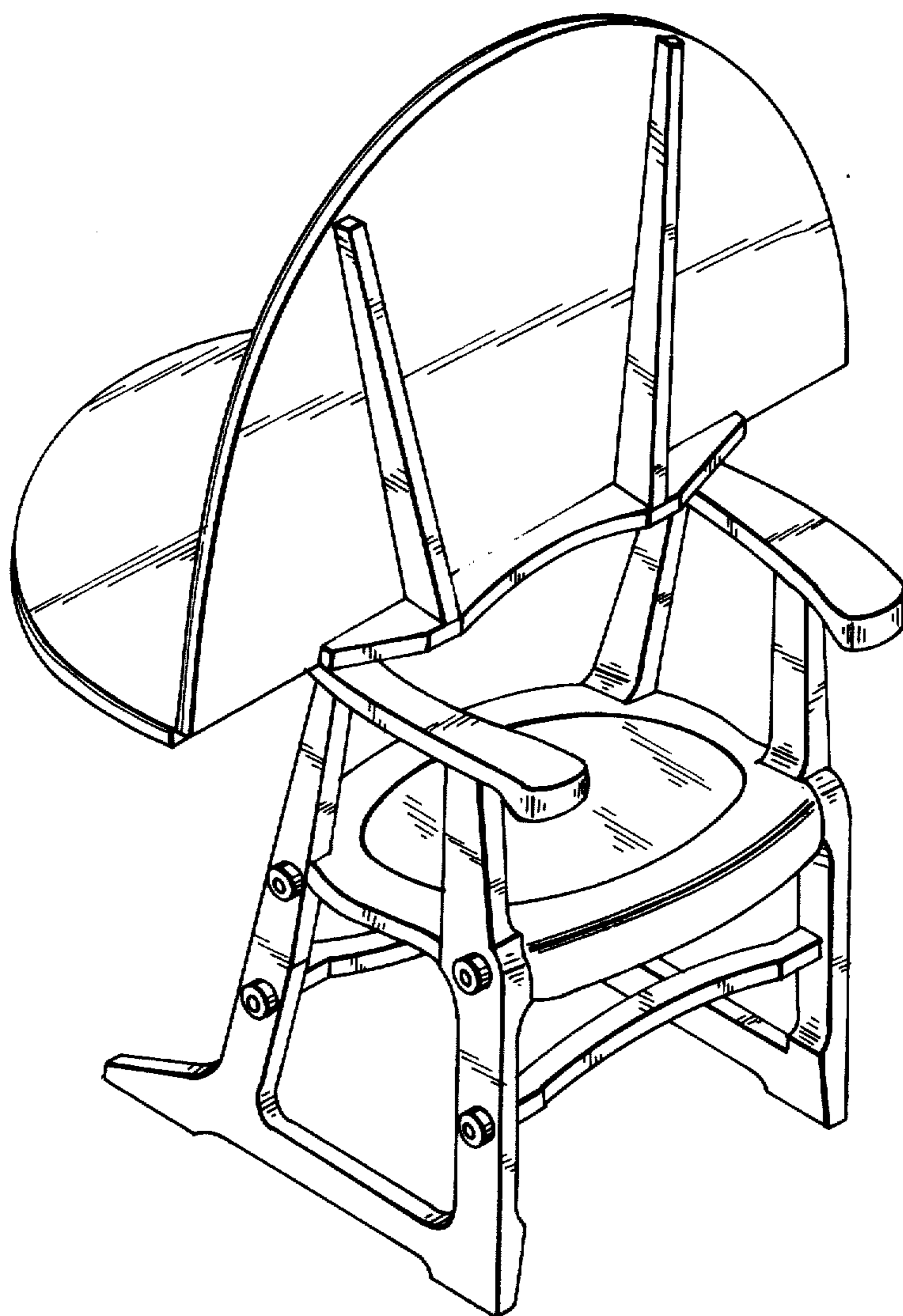


FIG. 2



FIG. 3

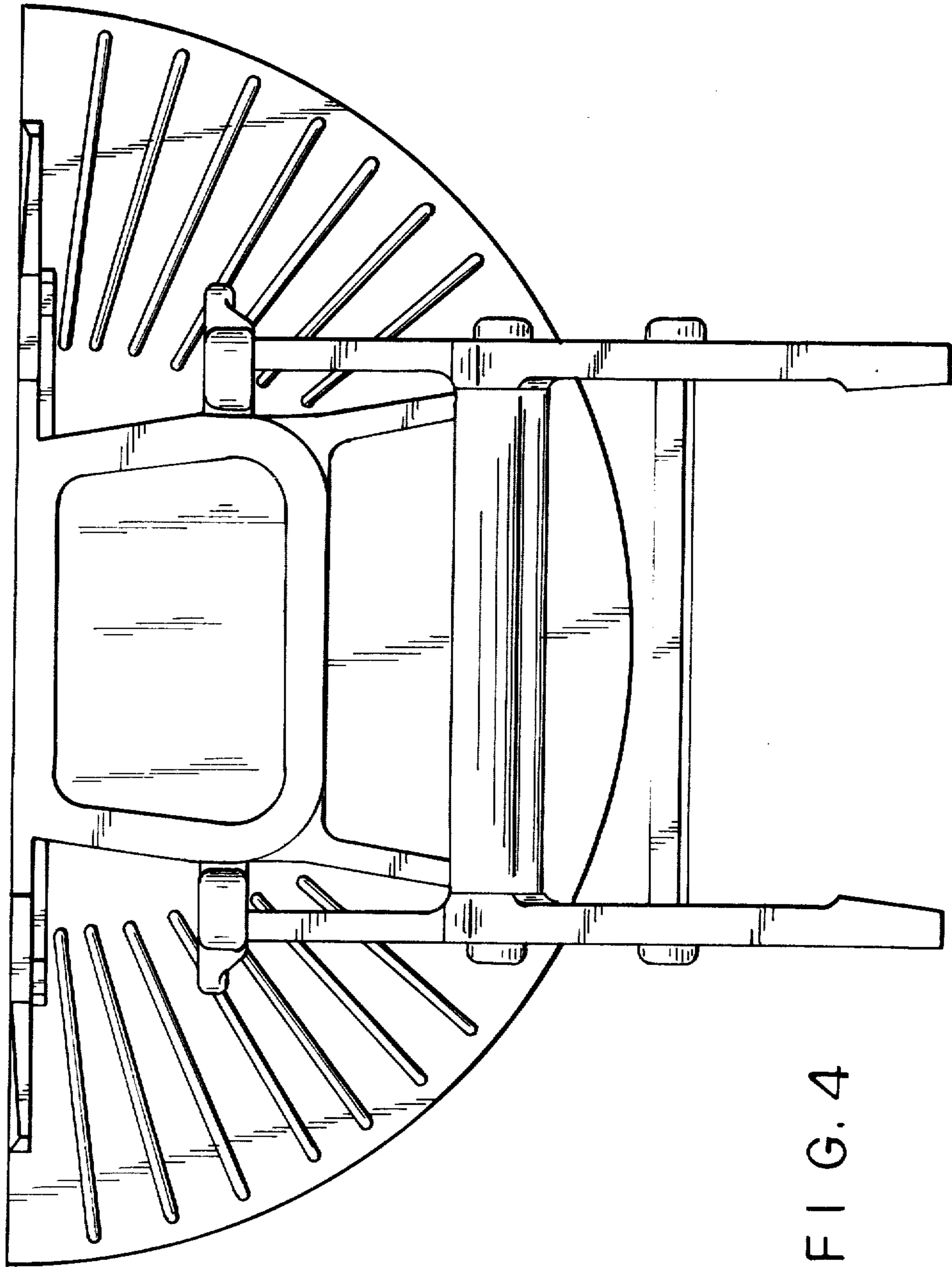


FIG. 4

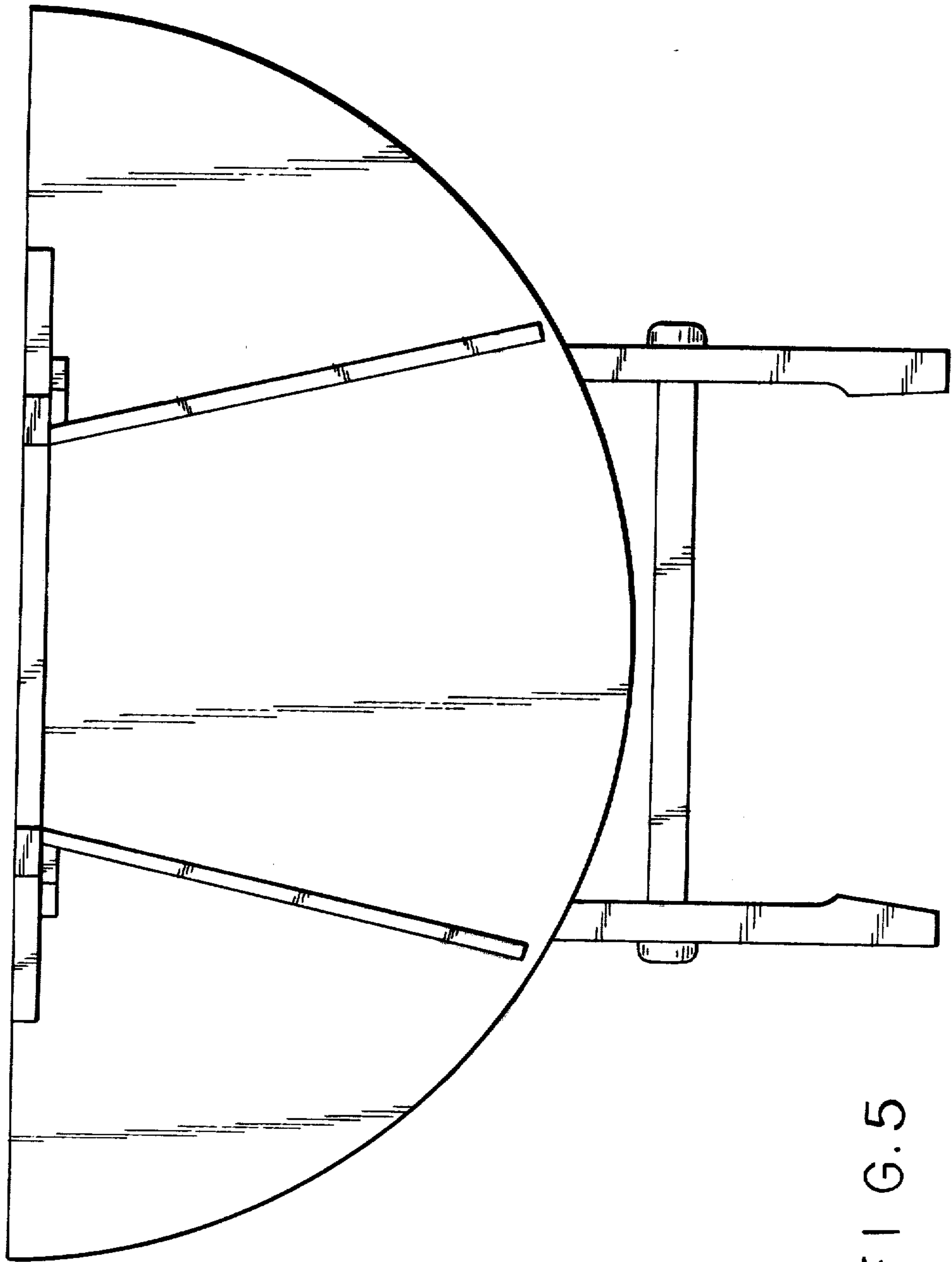


FIG. 5

FIG. 6

