

[54] CHAIR OR SIMILAR ARTICLE

[75] Inventor: Koni Ochsner, Wettingen, Switzerland

[73] Assignee: Giroflex-Entwicklungs AG, Koblenz, Switzerland

[*] Notice: The portion of the term of this patent subsequent to Aug. 30, 1997 has been disclaimed.

[**] Term: 14 years

[21] Appl. No.: 127,459

[22] Filed: Mar. 5, 1980

[30] Foreign Application Priority Data

Sep. 10, 1979 [CH] Switzerland DMA/000007

[51] Int. Cl. D6-01

[52] U.S. Cl. D6/31

[58] Field of Search D6/30, 31, 26; 297/296, 297/297, 300, 309, 311, 355

[56] References Cited

PUBLICATIONS

Progressive Architecture, 9-1977, p. 124, chair top right by Matrix.

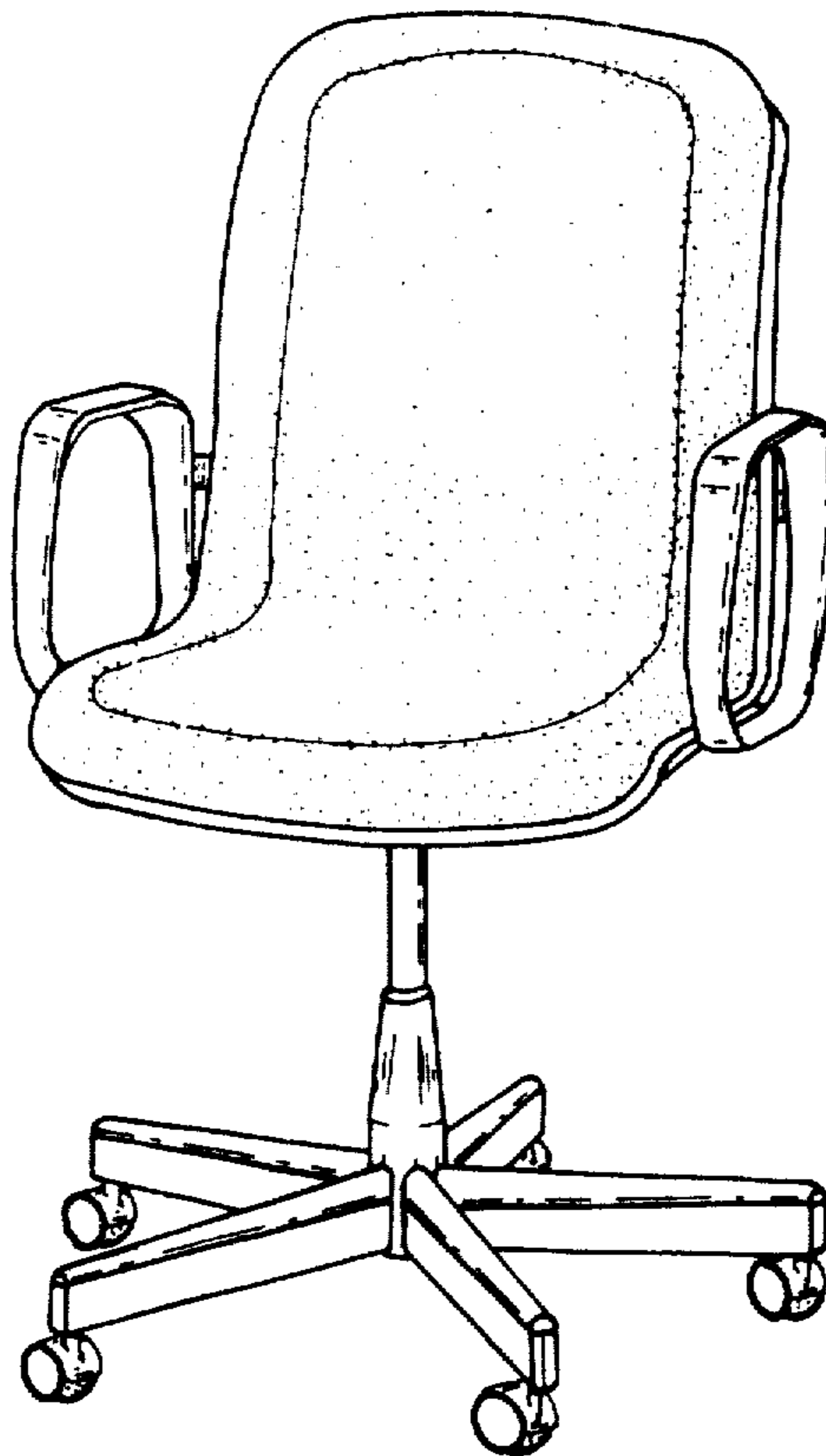
Primary Examiner—Bruce W. Dunkins
Attorney, Agent, or Firm—Werner W. Kleeman

[57] CLAIM

The ornamental design for a chair or similar article, as shown and described.

DESCRIPTION

FIG. 1 is a front perspective view of a first embodiment of my chair or similar article incorporating my invention;
FIG. 2 is a front view thereof;
FIG. 3 is a side view thereof looking from the left side of FIG. 2;
FIG. 4 is a side view opposite to that shown in FIG. 3;
FIG. 5 is a rear view thereof;
FIG. 6 is a front perspective view of a second embodiment of my chair or similar article incorporating my invention;
FIG. 7 is a front view thereof;
FIG. 8 is a side view thereof looking from the left side of FIG. 7;
FIG. 9 is a side view opposite to that shown in FIG. 8; and
FIG. 10 is a rear view thereof.



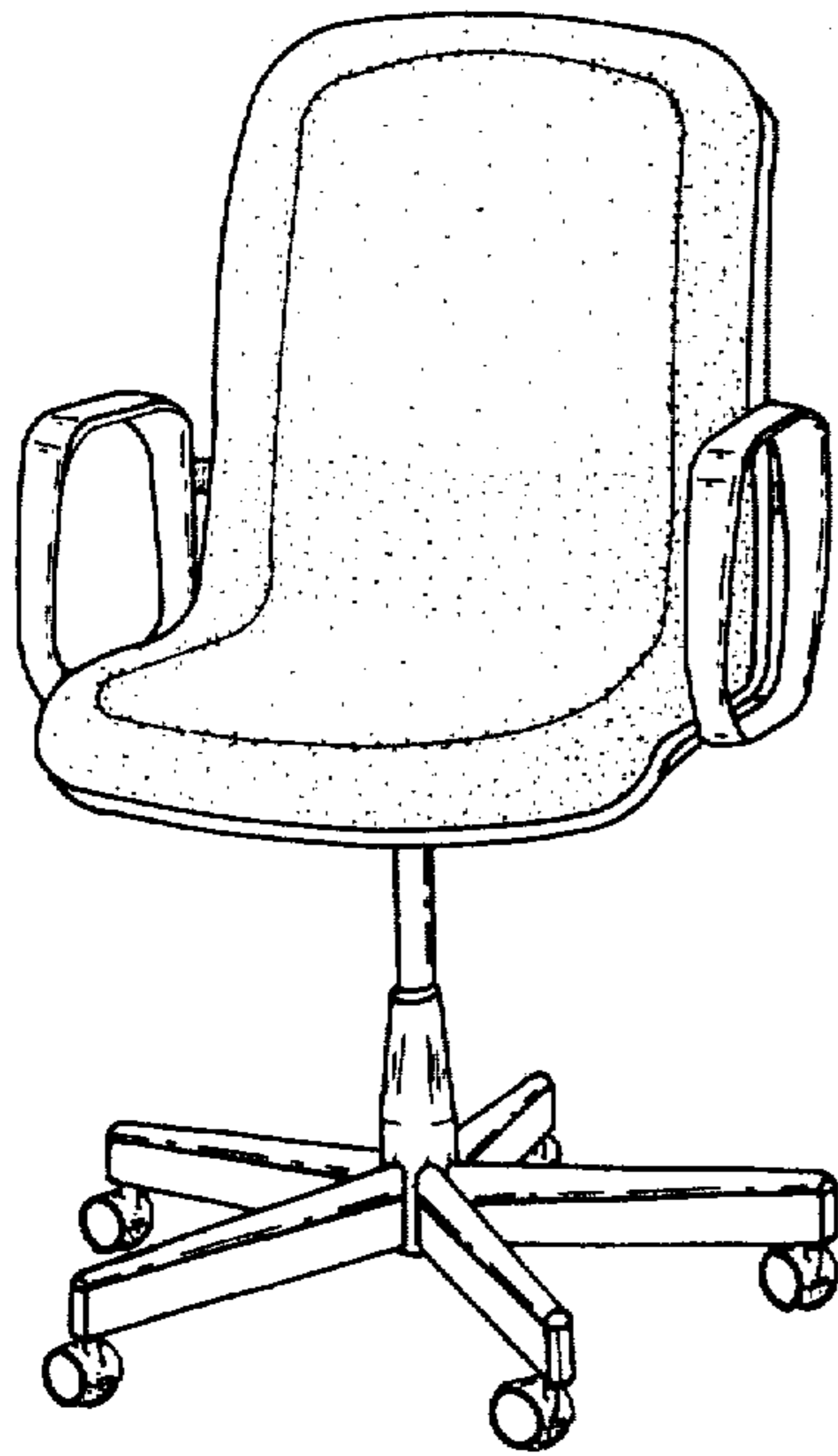


FIG. 1

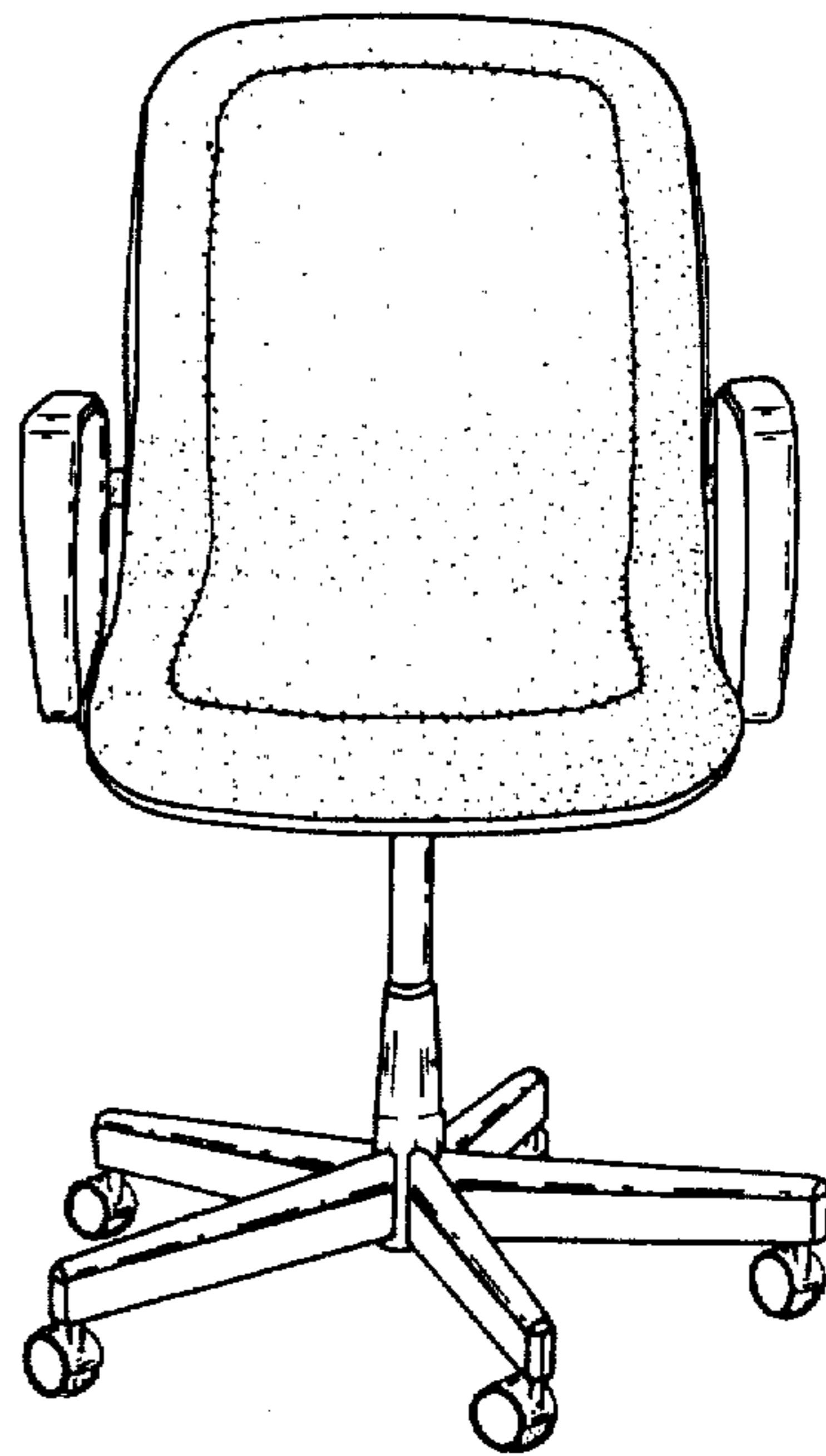


FIG. 2

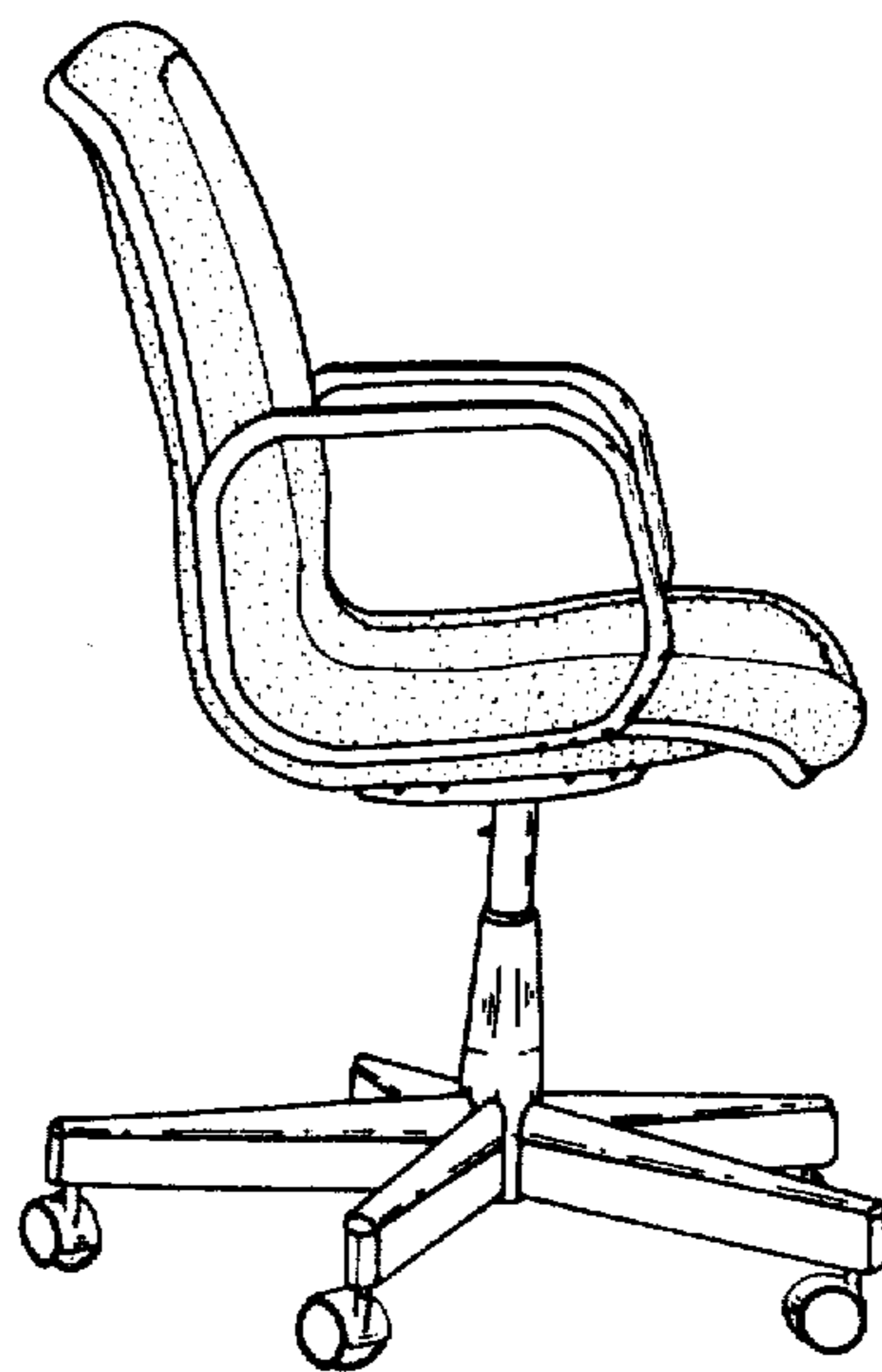


FIG. 3

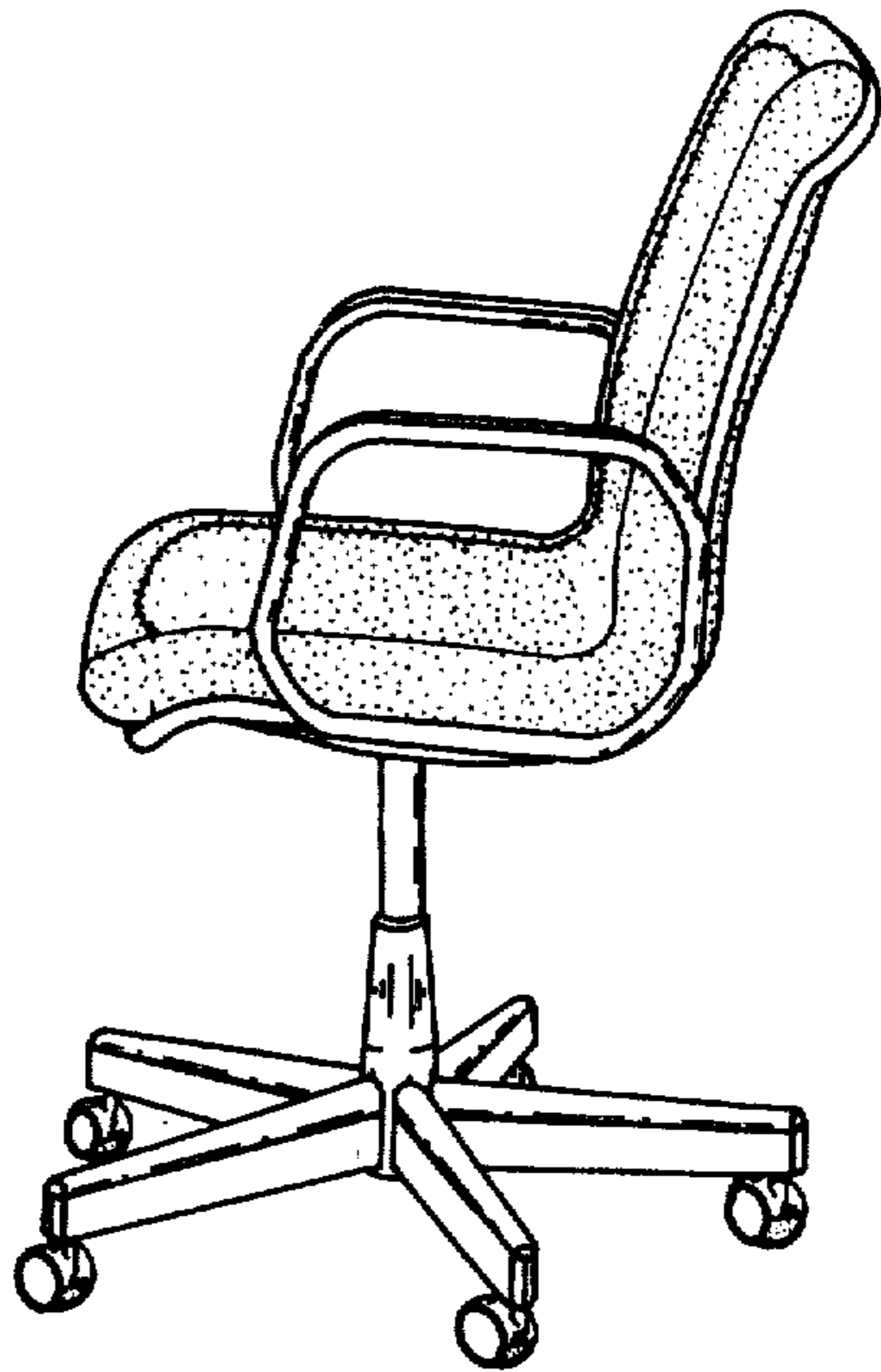


FIG. 4

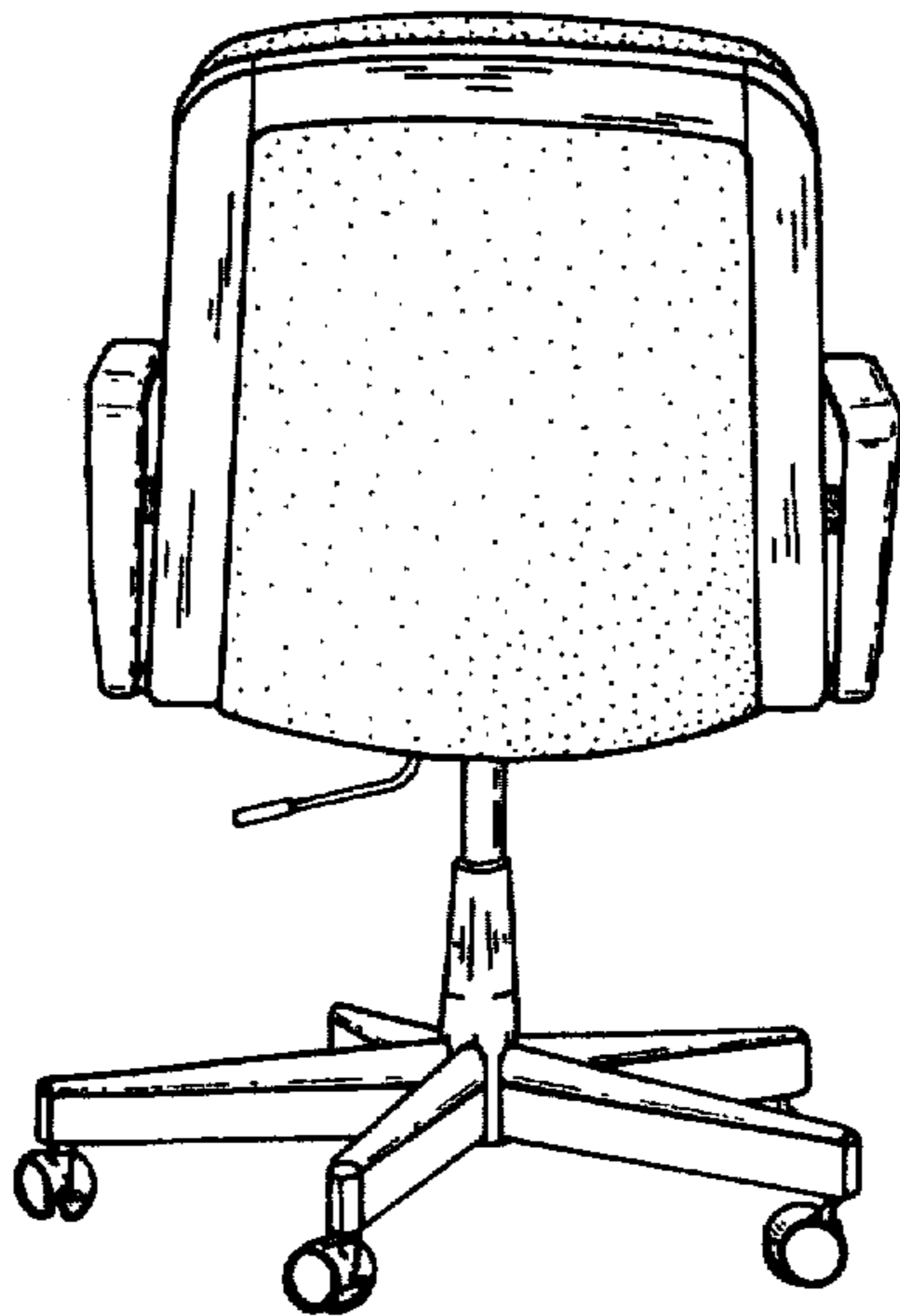


FIG. 5

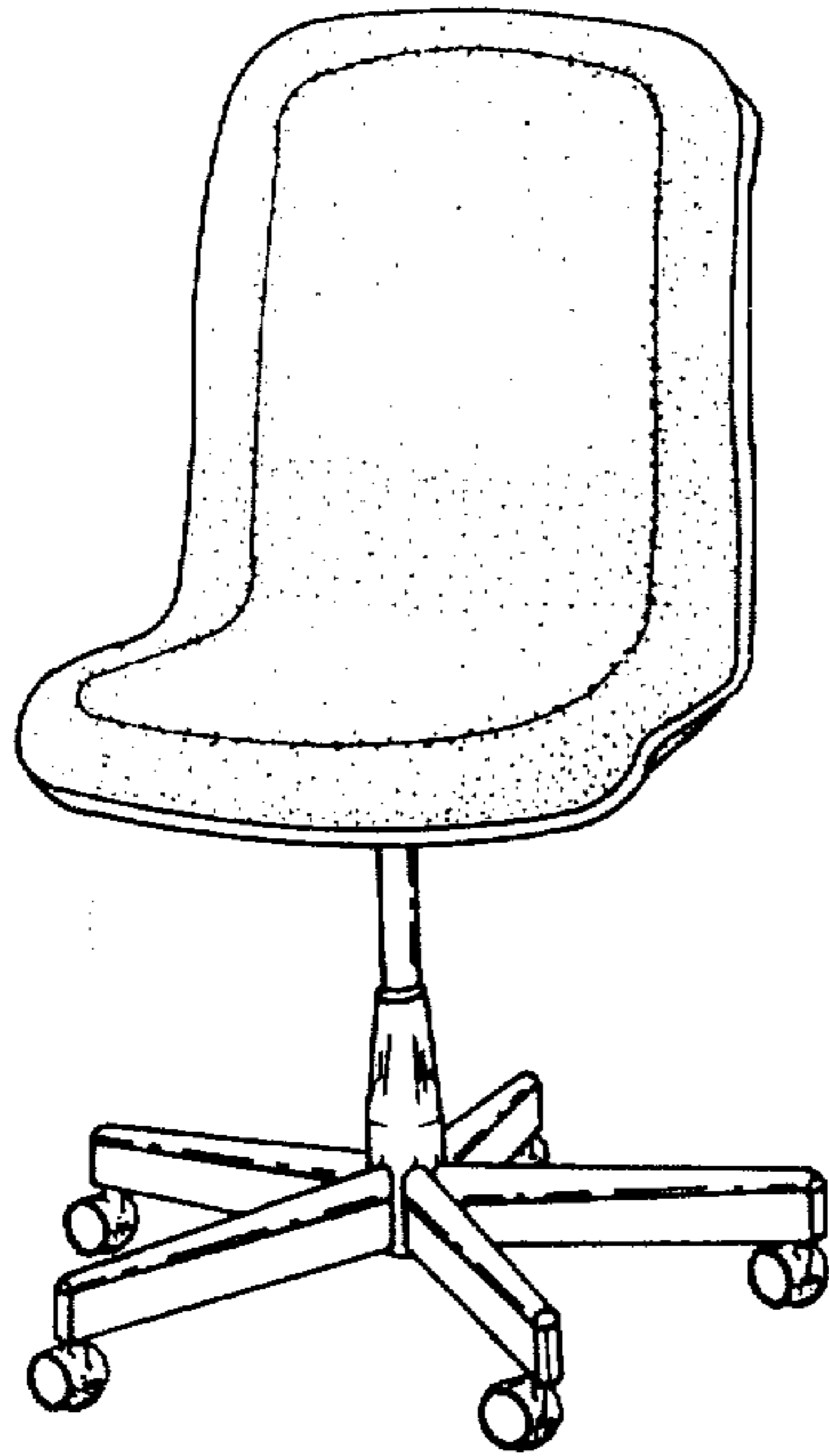


FIG. 6

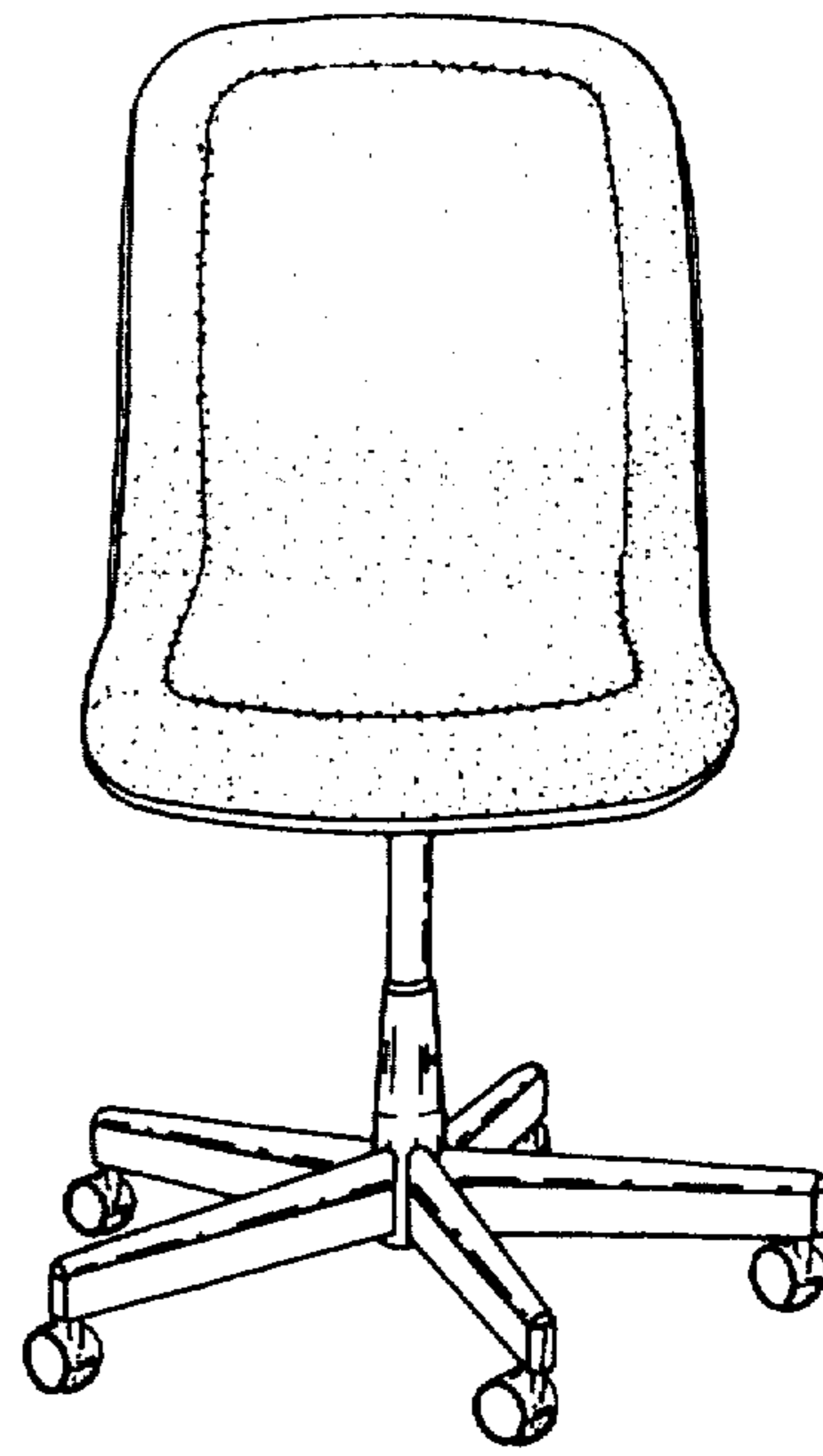


FIG. 7

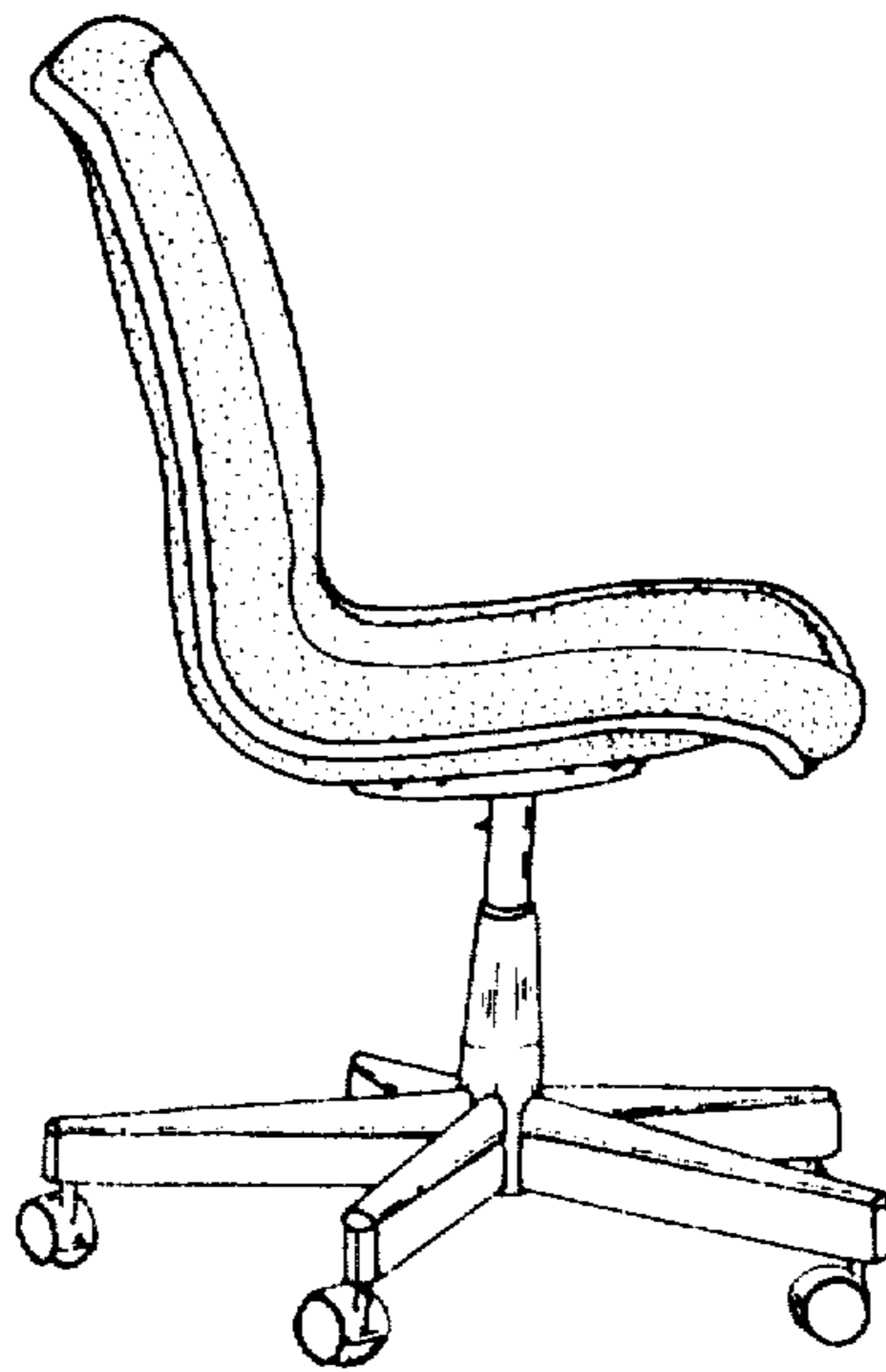


FIG. 8

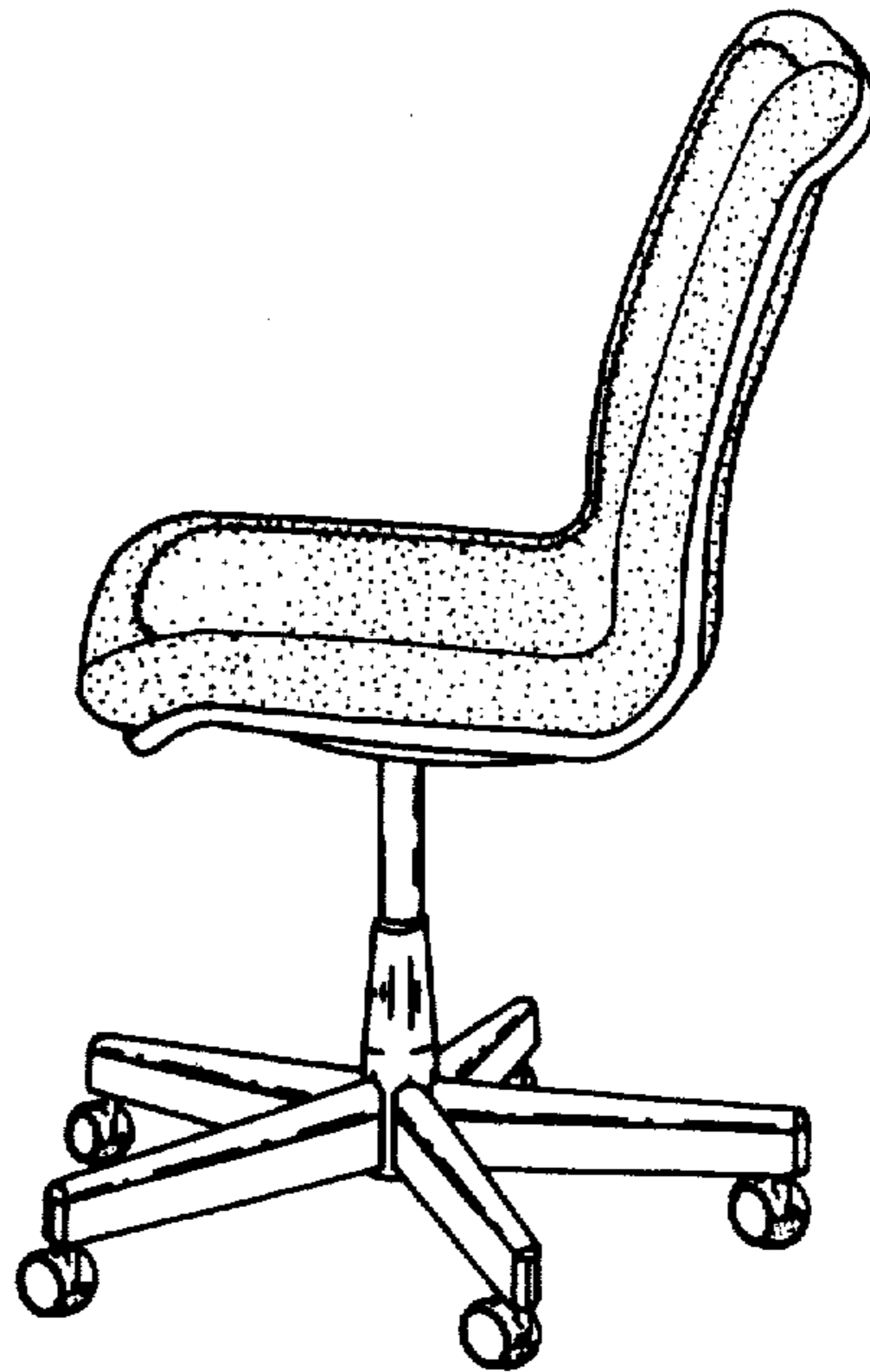


FIG. 9

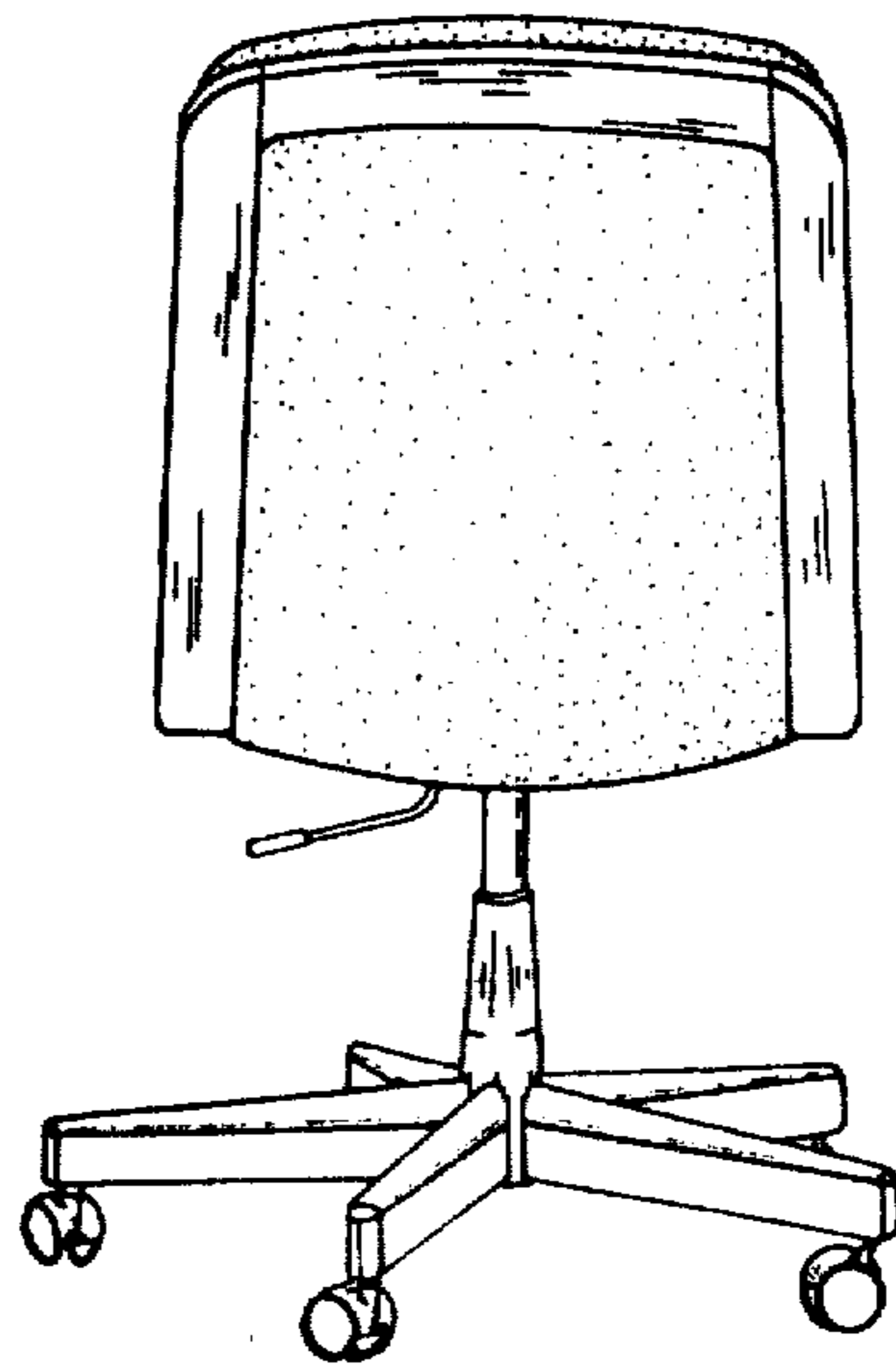


FIG. 10