

[54] CHAIR OR SIMILAR ARTICLE

[75] Inventor: Koni Ochsner, Wettingen, Switzerland

[73] Assignee: Giroflex-Entwicklungs AG, Koblenz, Switzerland

[*] Notice: The portion of the term of this patent subsequent to Aug. 30, 1997 has been disclaimed.

[**] Term: 14 years

[21] Appl. No.: 127,526

[22] Filed: Mar. 5, 1980

[30] Foreign Application Priority Data

Sep. 10, 1979 [CH] Switzerland DMA/000007

[51] Int. Cl. D6-01

[52] U.S. Cl. D6/31

[58] Field of Search D6/30, 31, 26; 297/296, 297/297, 300, 309, 313, 355

[56] References Cited PUBLICATIONS

Progressive Architecture, 9-1977, p. 124, chair top right by Matrix.

Design Catalog, 9-1976, p. 40, chair at right center.

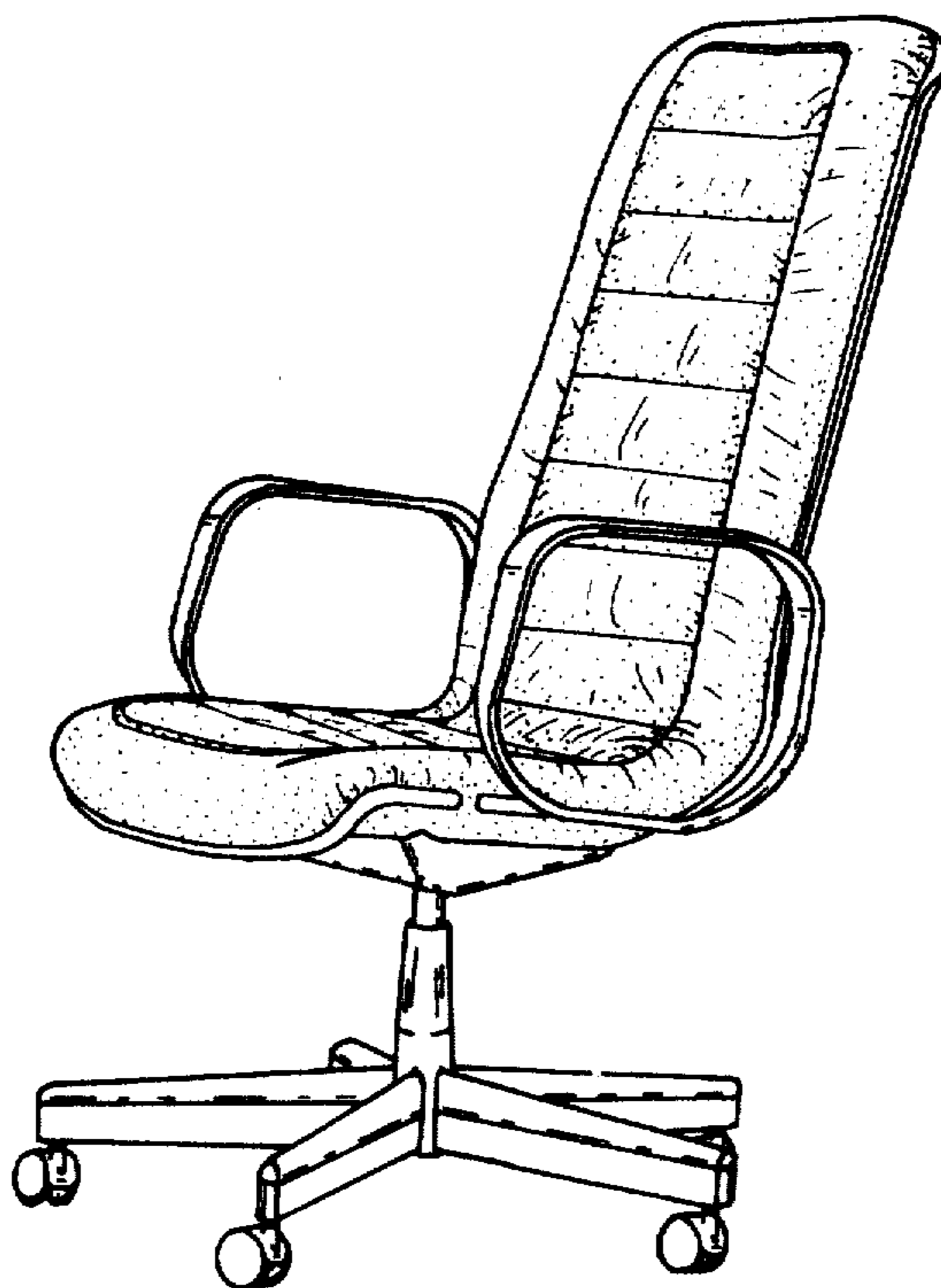
Primary Examiner—Bruce W. Dunkins
Attorney, Agent, or Firm—Werner W. Kleeman

[57] CLAIM

The ornamental design for a chair or similar article, as shown and described.

DESCRIPTION

FIG. 1 is a perspective view of my chair or similar article incorporating my invention;
FIG. 2 is a front view thereof;
FIG. 3 is a side view thereof;
FIG. 4 is a side view opposite to that shown in FIG. 3; and
FIG. 5 is a rear view thereof.



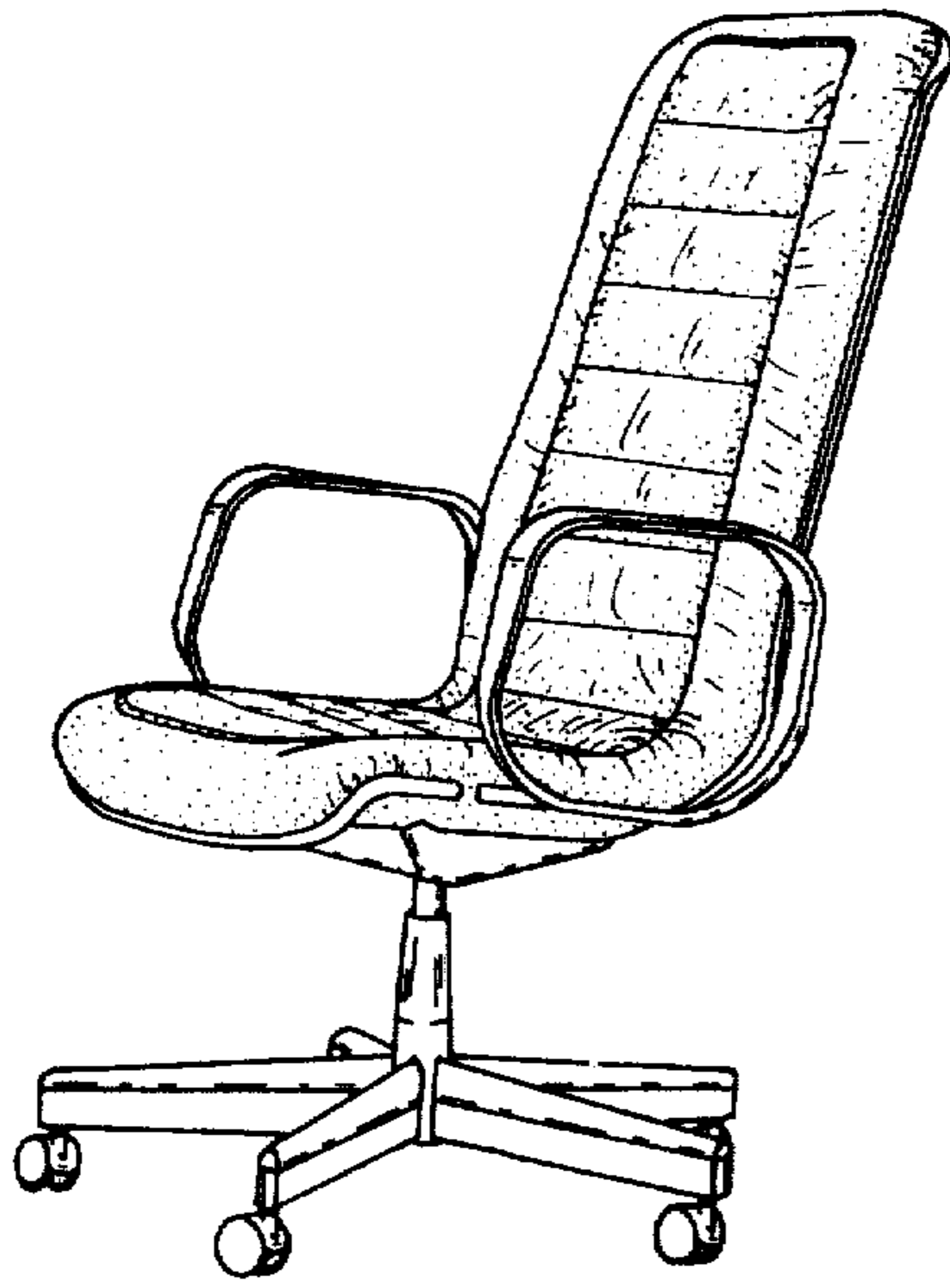


FIG. 1

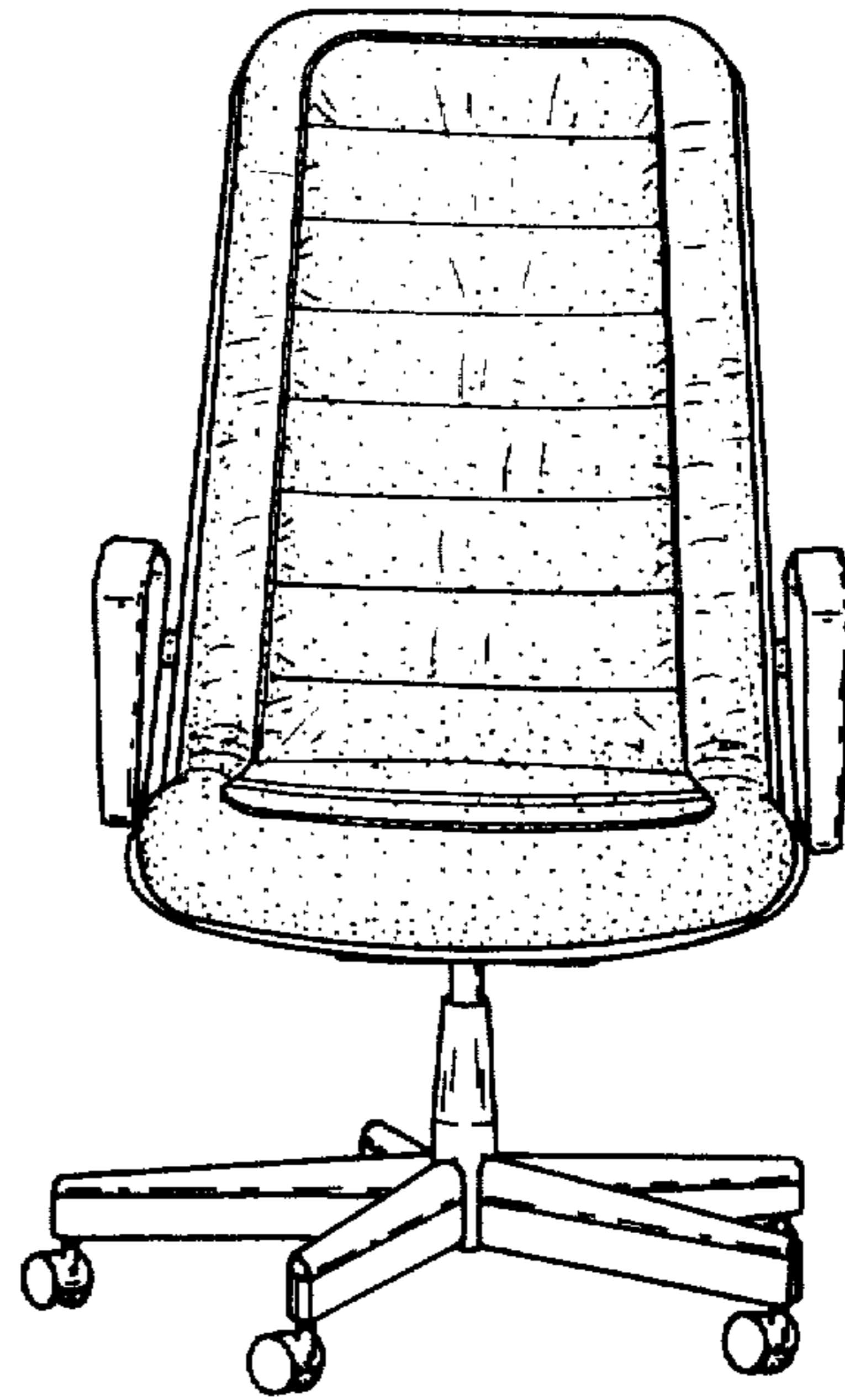


FIG. 2

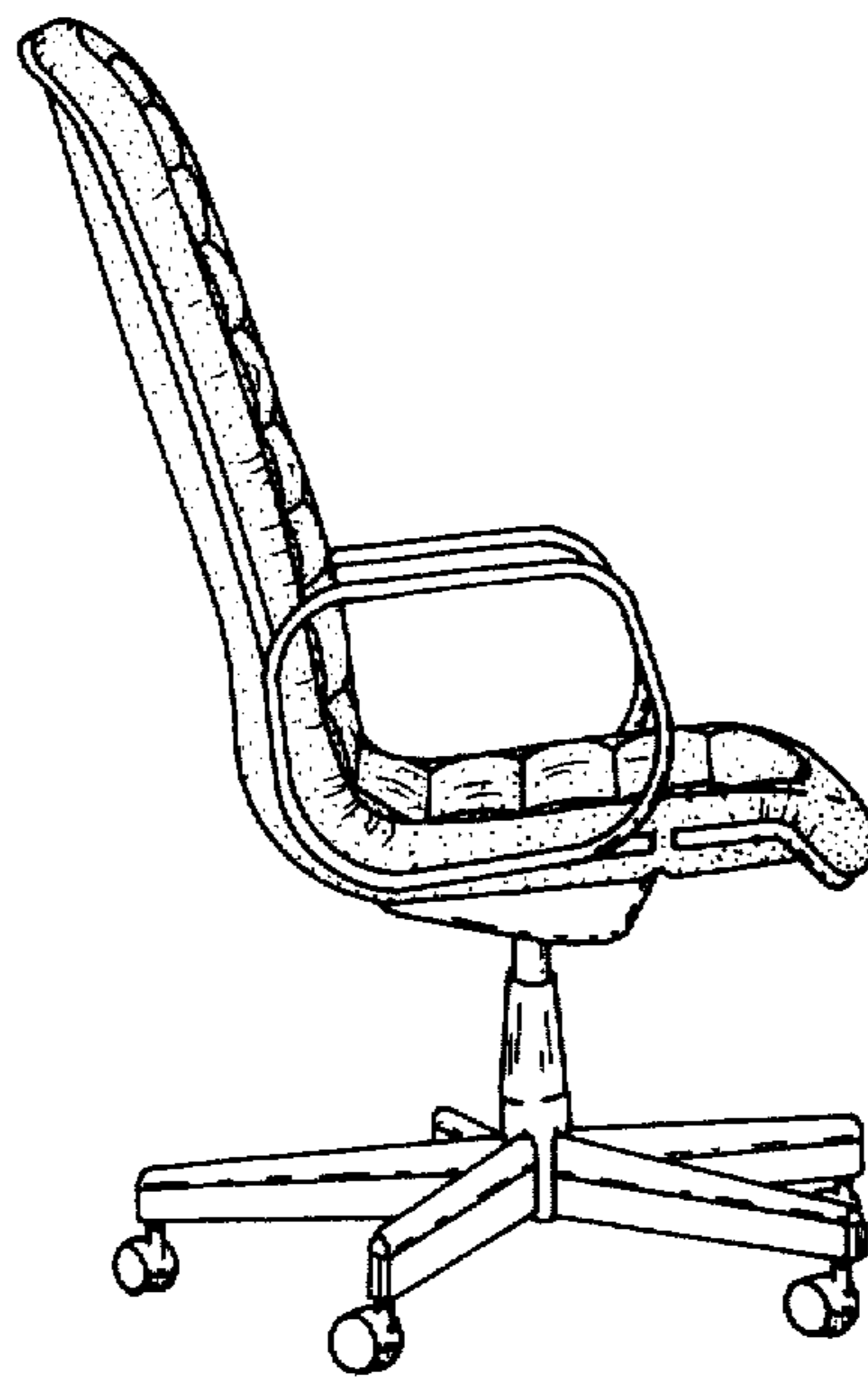


FIG. 3

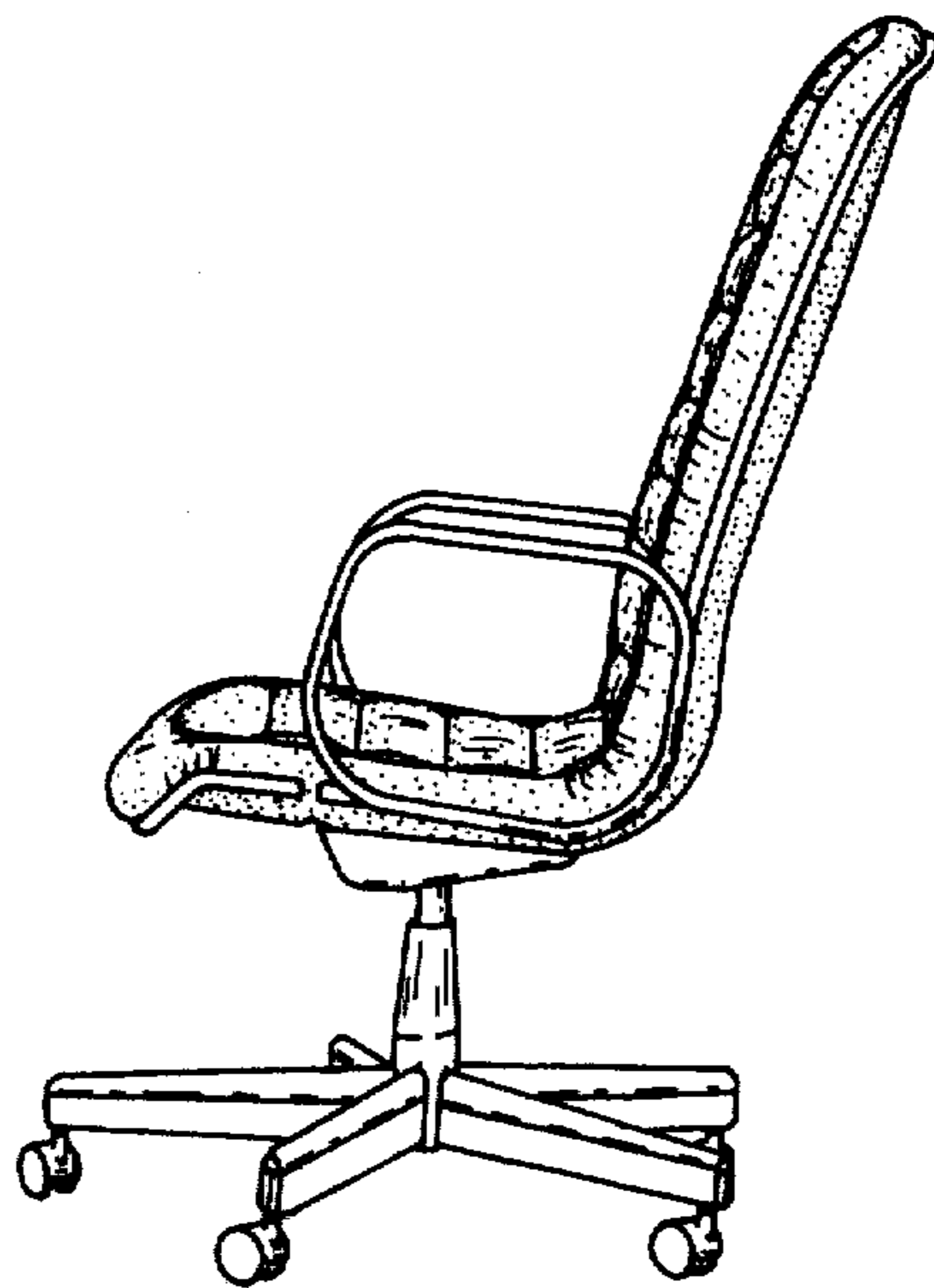


FIG. 4

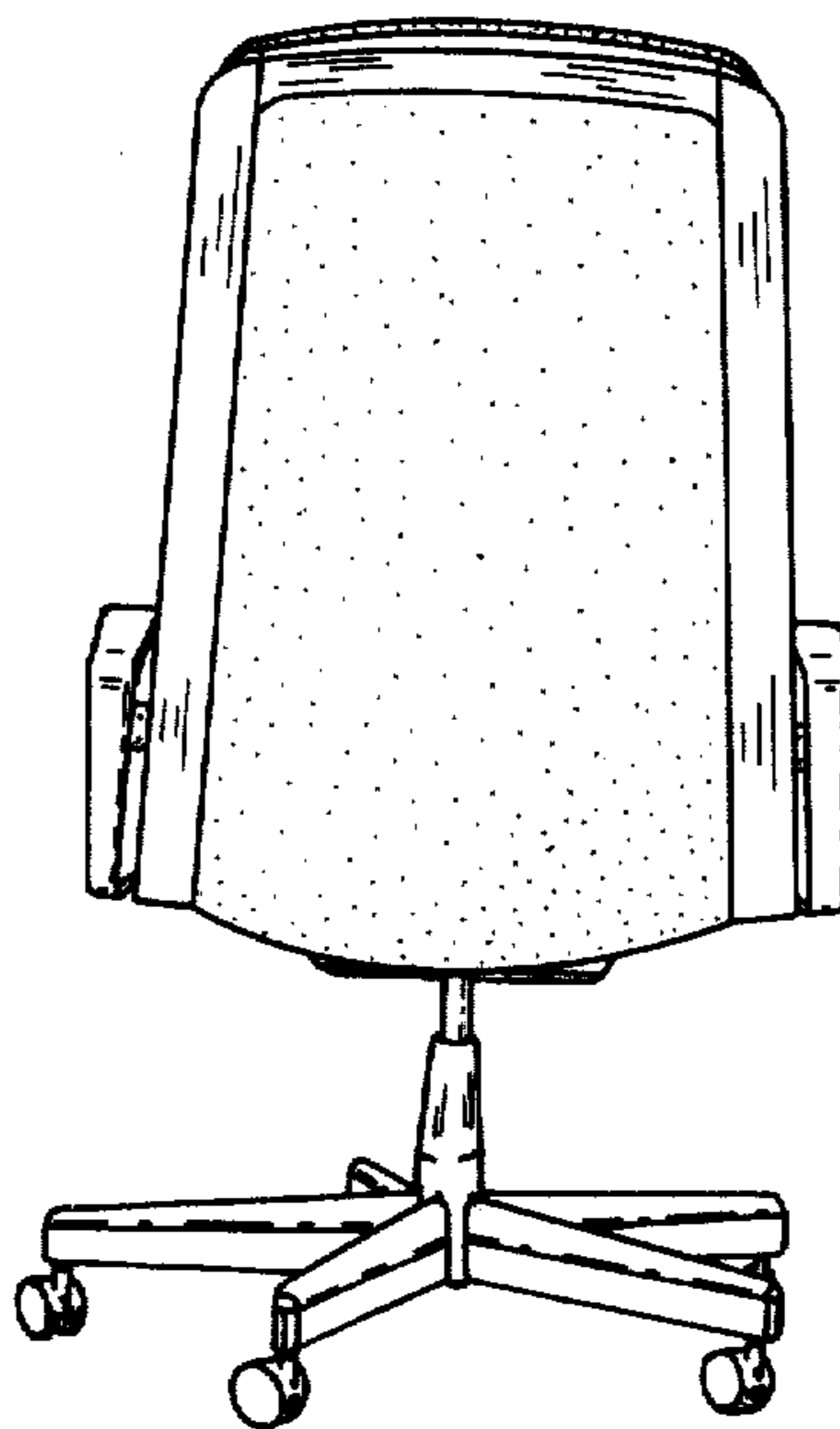


FIG. 5