

[54] **INSULATED CONTAINER**
[76] Inventor: **Peter W. McGennis**, 41 Saybrook Pl.,
Buffalo, N.Y. 14209
[**] Term: 14 years
[21] Appl. No.: **157,788**
[22] Filed: **Jun. 9, 1980**

D. 261,213 10/1981 Perethian et al. D7/77
2,808,093 10/1957 Gilman 150/52 F
4,260,004 4/1981 Domke D3/33

Primary Examiner—George P. Word
Attorney, Agent, or Firm—Christel, Bean & Linihan

[57] **CLAIM**

The ornamental design for an insulated container, substantially as shown and described.

Related U.S. Application Data

[62] Division of Ser. No. 879,695, Feb. 21, 1978, Pat. No. Des. 256,853.

[51] Int. Cl. **D3—01**
[52] U.S. Cl. **D3/71; D3/77; D7/77**

[58] Field of Search D3/30.1, 39, 33, 71, D3/77, 99; D7/77; 150/2.1, 3, 52 F, 1, 2.6

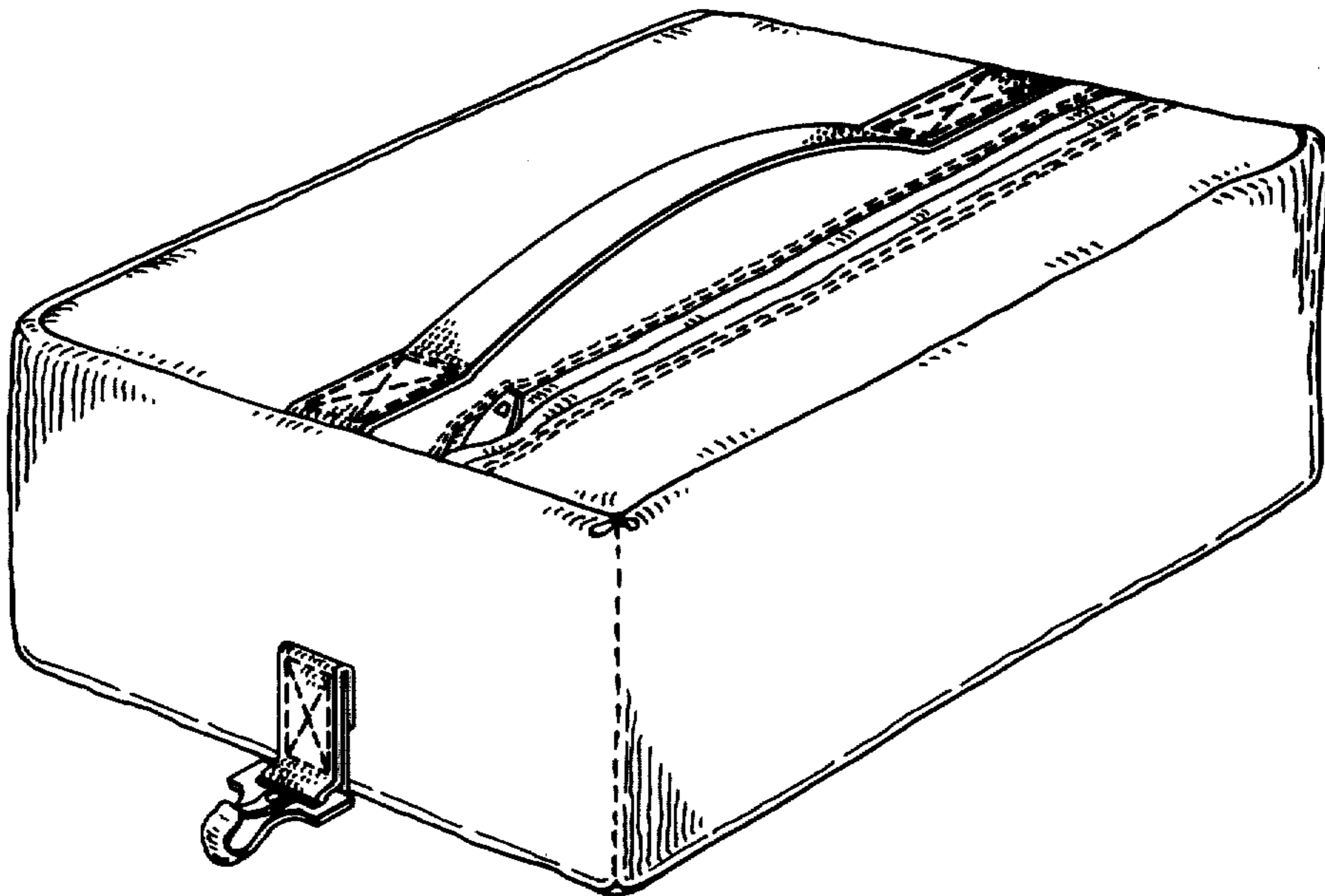
References Cited

U.S. PATENT DOCUMENTS

D. 231,042 3/1974 Lee D3/71
D. 254,894 5/1980 Zoland D3/71

DESCRIPTION

FIG. 1 is a side elevational view of an insulated container, showing my new design;
FIG. 2 is a top plan view thereof;
FIG. 3 is an opposite side elevational view thereof;
FIG. 4 is a bottom plan view thereof;
FIG. 5 is an end elevational view thereof as seen from the left end of FIG. 1;
FIG. 6 is an opposite end elevational view thereof;
FIG. 7 is a perspective view of a modified form of the insulated container;
FIG. 8 is a rear perspective view thereof, and
FIG. 9 is a bottom plan view thereof.



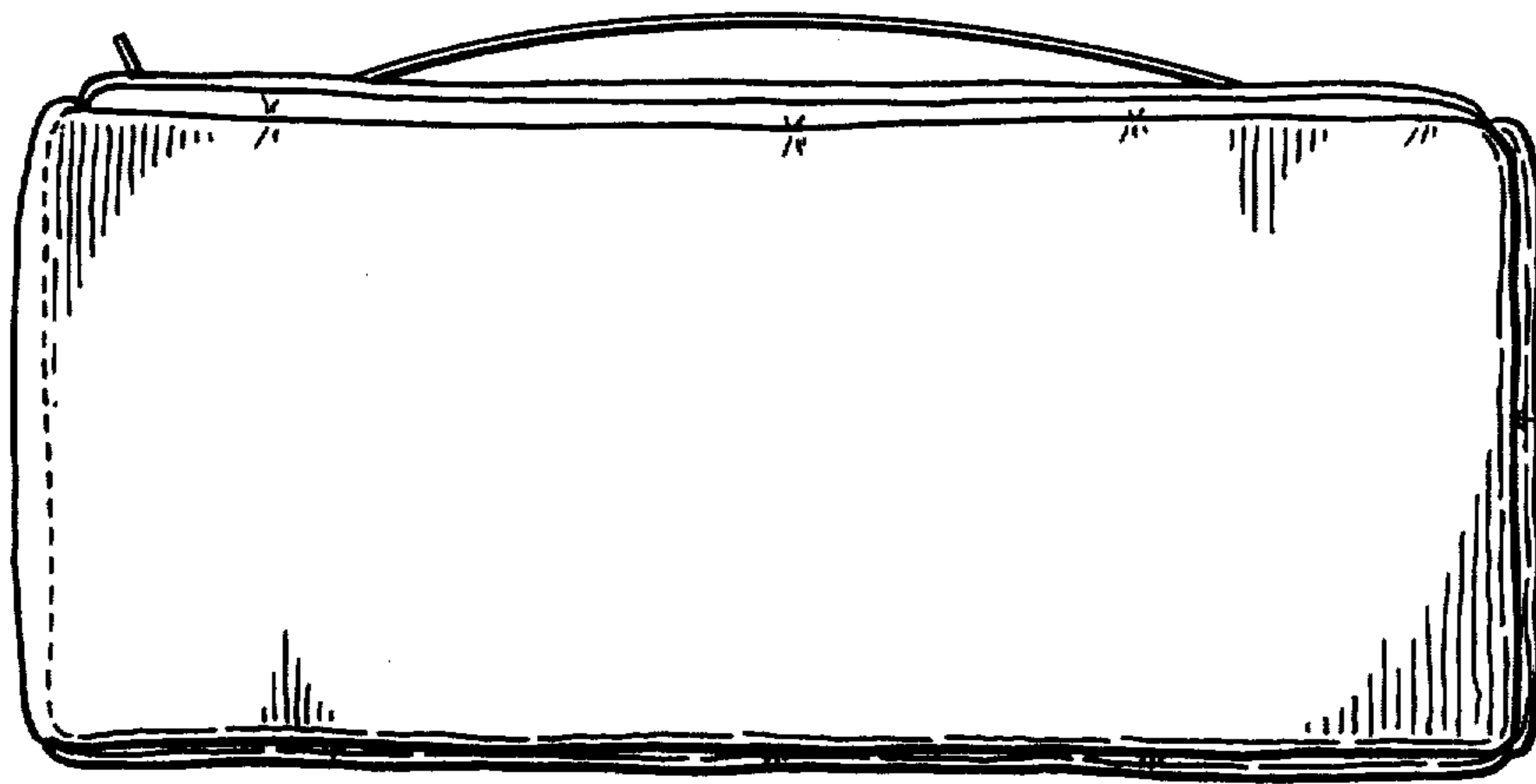


Fig. 1.

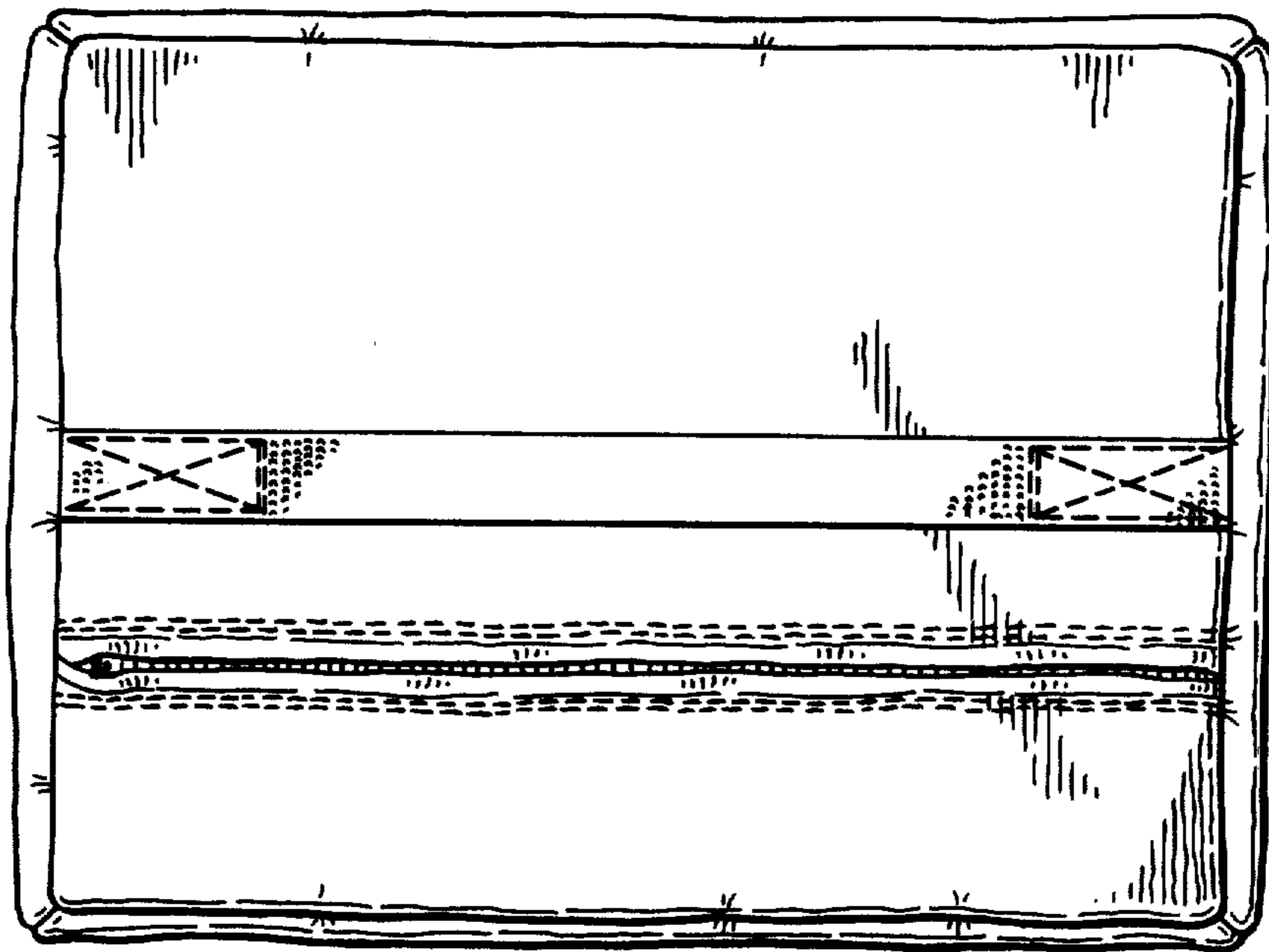


Fig. 2.

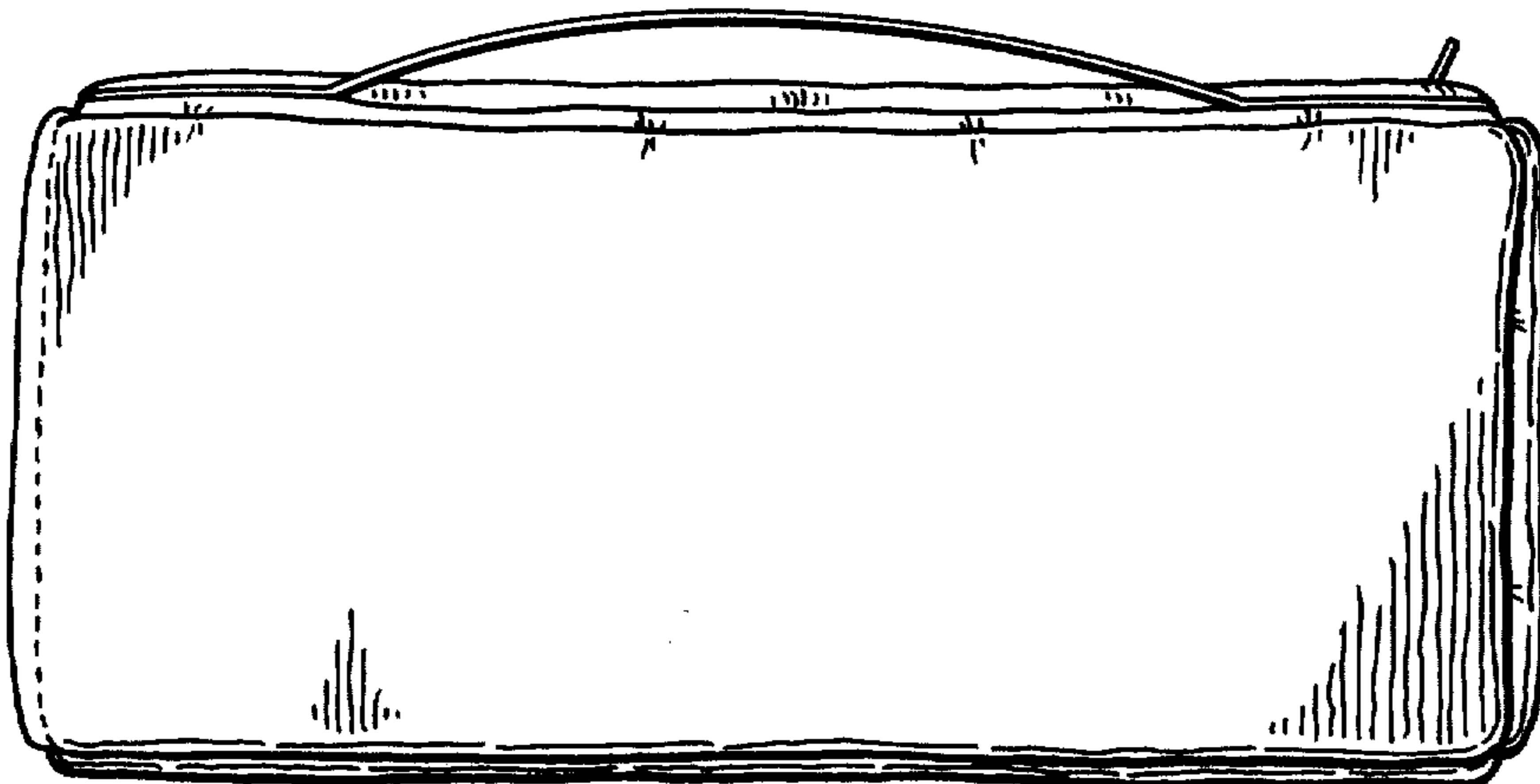


Fig. 3.

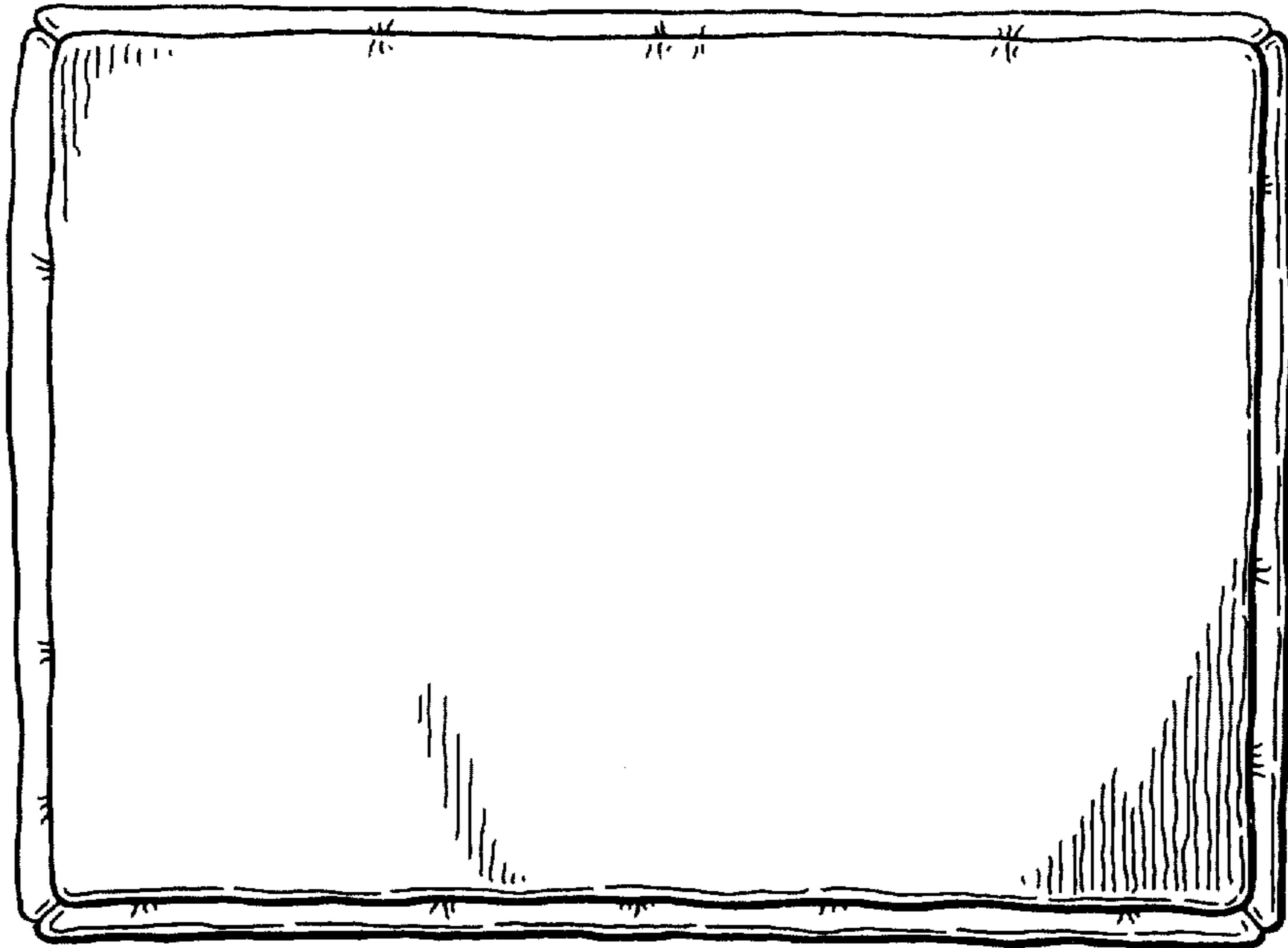


Fig. 4.

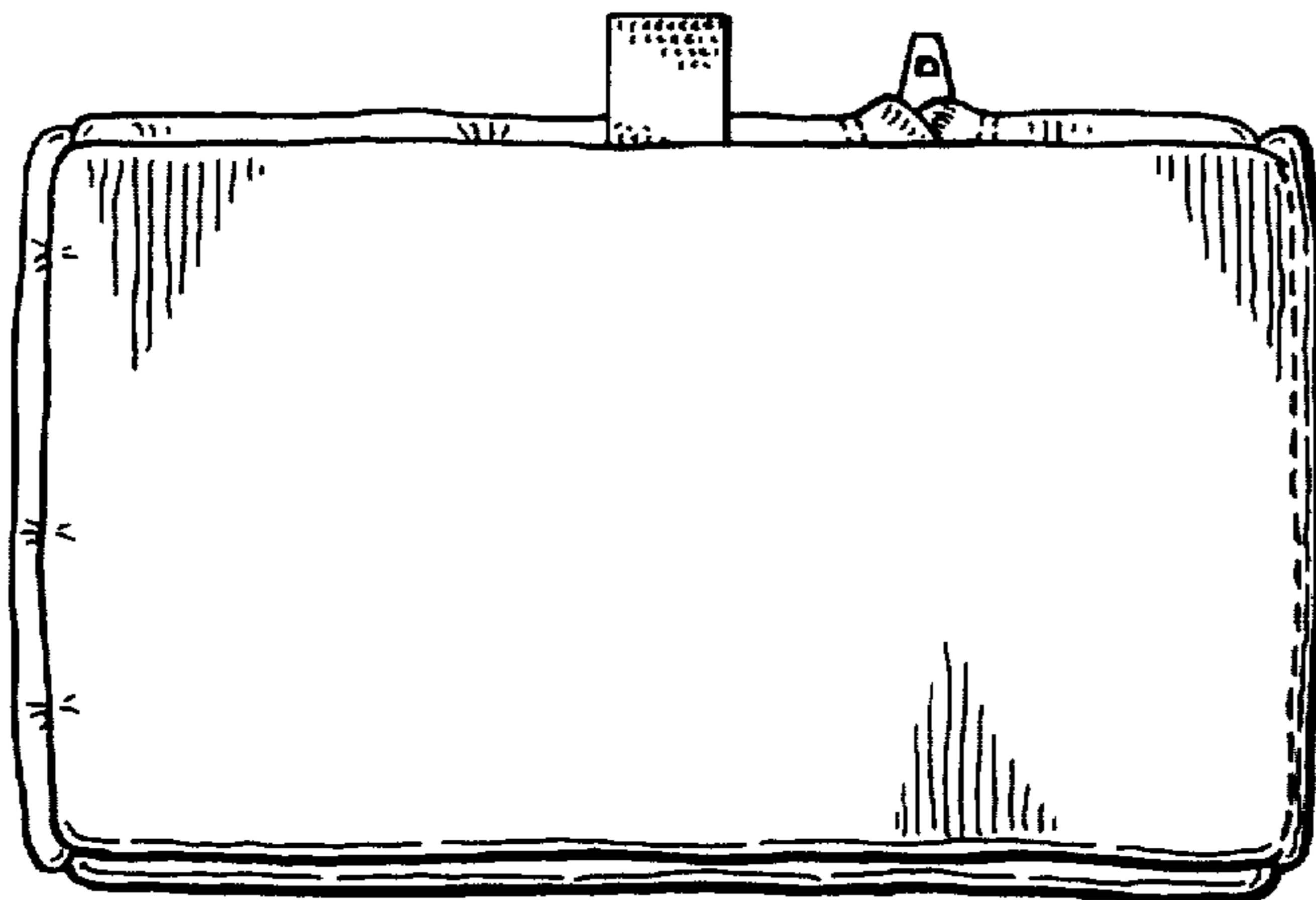


Fig. 5.

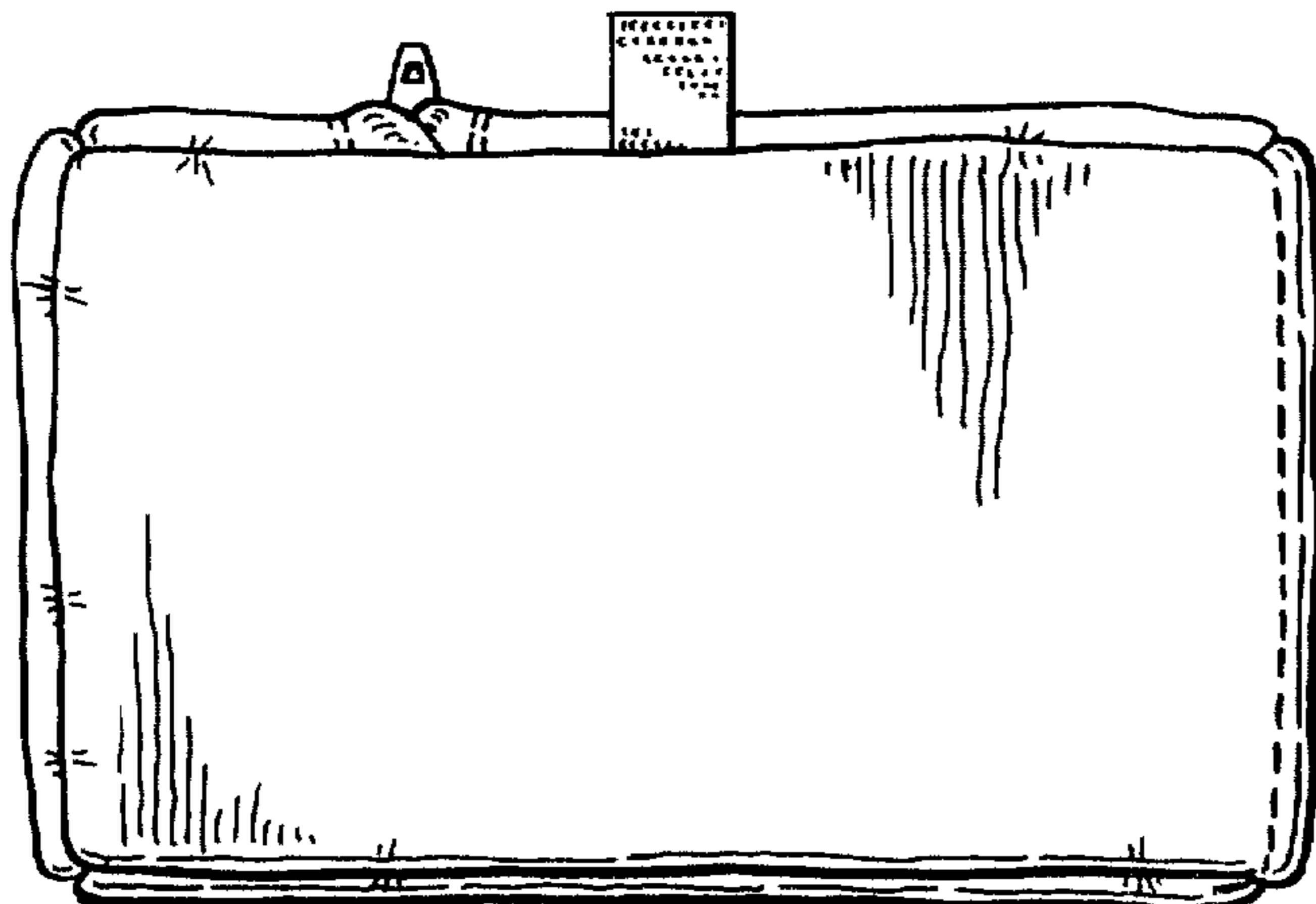


Fig. 6.

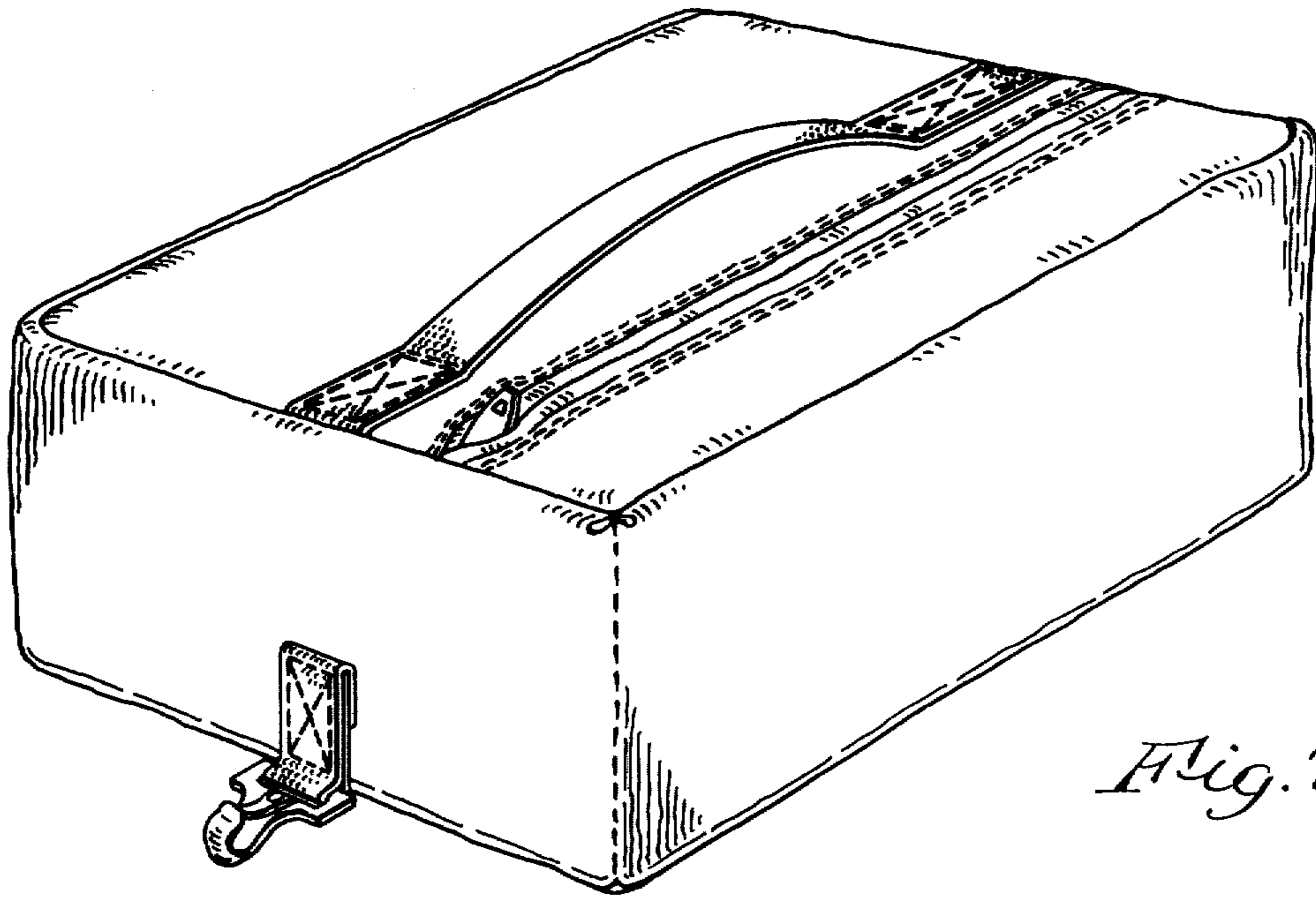
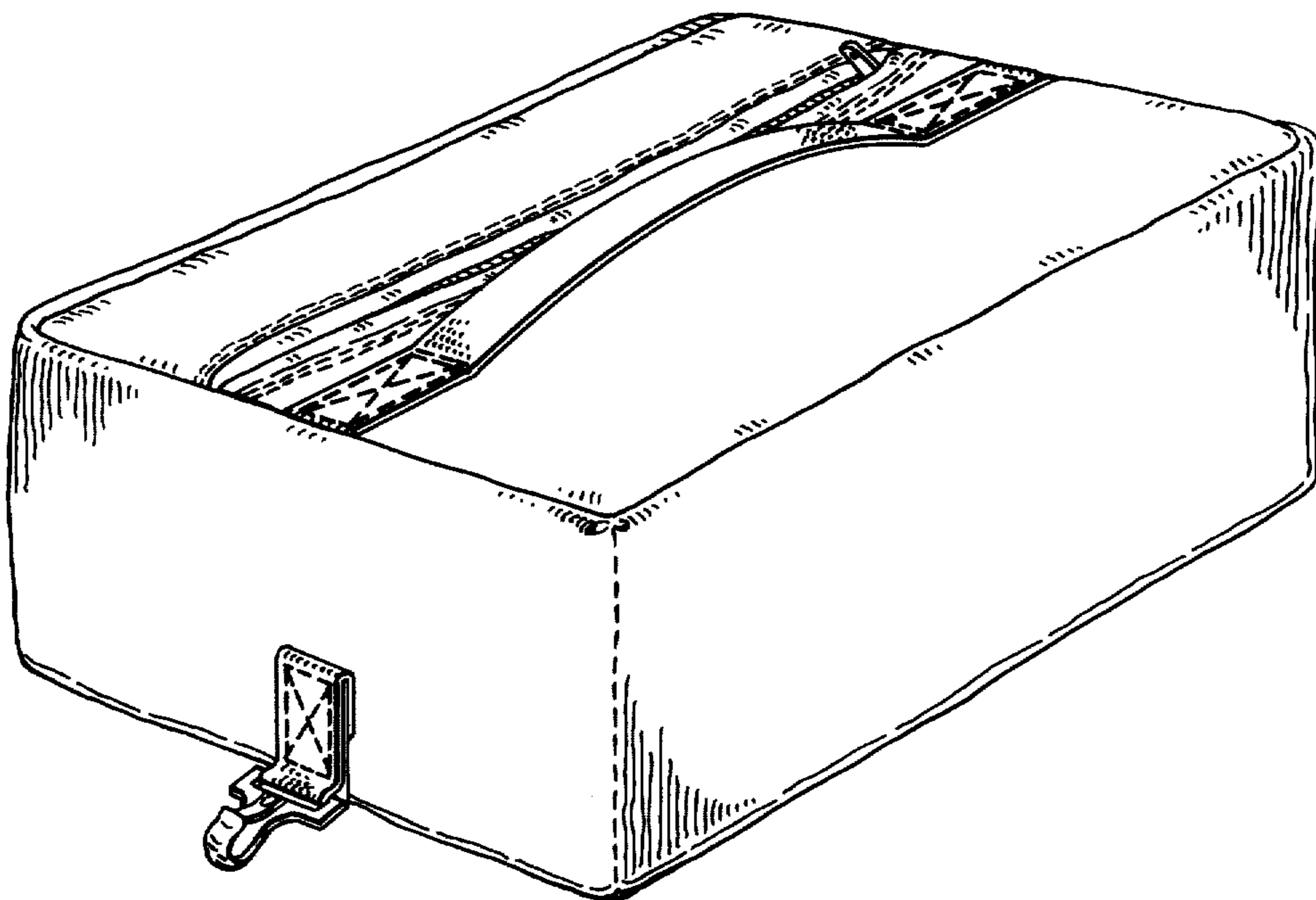


Fig. 7.

Fig. 8.



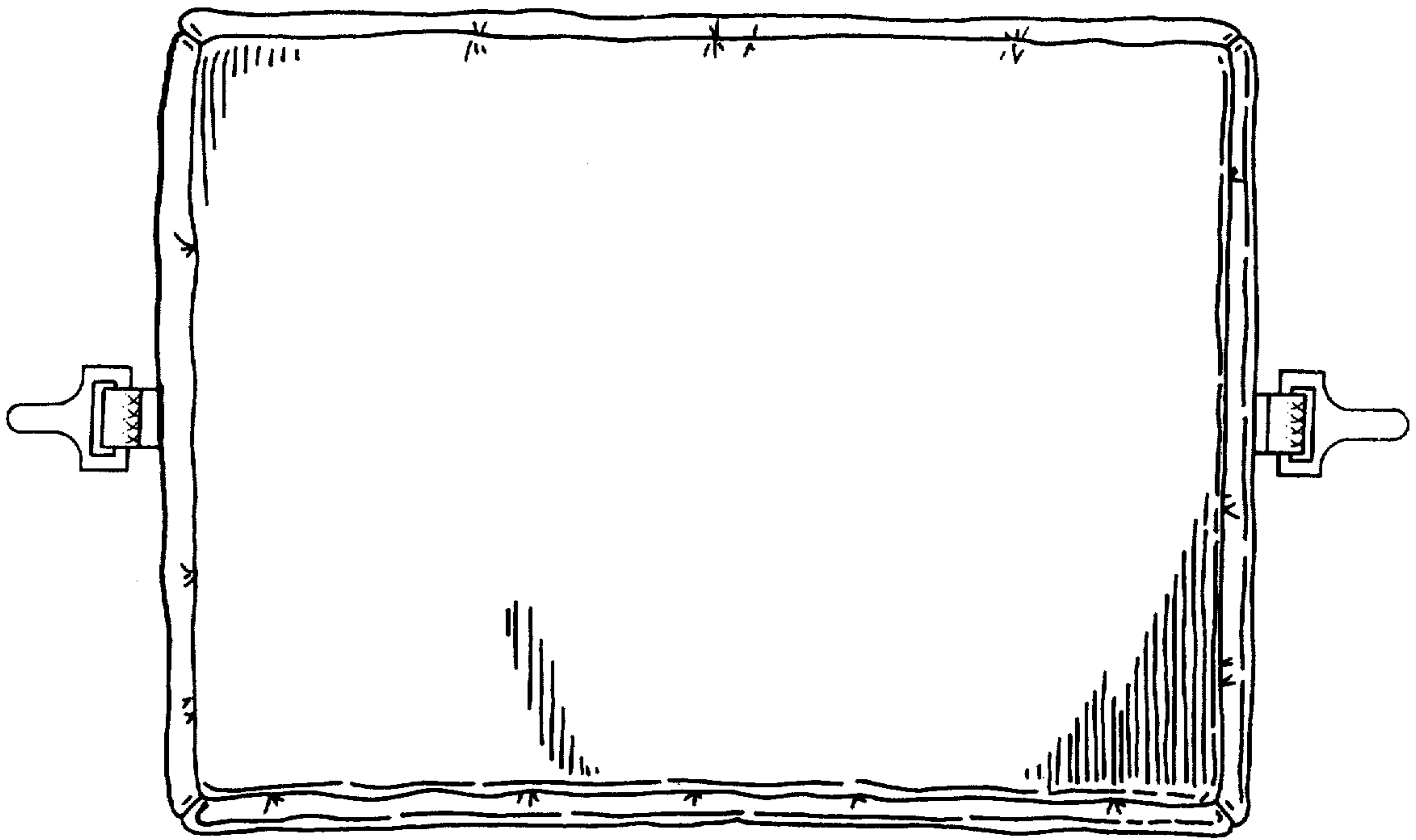


Fig. 9.