

[54] BOWLING BALL CARRYING CASE

[75] Inventor: Edward M. Starzec, Canoga Park, Calif.

[73] Assignee: Chas. "Robby" Robinson Enterprises, Inc., Glendale, Calif.

[**] Term: 14 years

[21] Appl. No.: 330,188

[22] Filed: Dec. 14, 1981

[51] Int. Cl. D3-02

[52] U.S. Cl. D3/36; D3/74; D9/341; D9/345; D9/426

[58] Field of Search D3/30.1, 36-38, D3/44, 66, 74-75; D9/424, 426, 428, 341, 345; D34/24-26; 206/315 B; 150/52 A; 190/51

[56] References Cited

U.S. PATENT DOCUMENTS

- D. 142,129 8/1945 Shepard D9/345
- D. 149,869 6/1948 Haney D3/36

- D. 155,155 9/1949 Haney D3/36
- D. 249,492 9/1978 Morley D34/25
- 3,308,911 3/1967 Stevens 206/315 B
- 4,066,156 1/1978 Basile D3/36

Primary Examiner—George P. Word
Attorney, Agent, or Firm—Michael A. Painter

[57] CLAIM

The ornamental design for a bowling ball carrying case, substantially as shown and described.

DESCRIPTION

FIG. 1 is a perspective view of a bowling ball carrying case showing my new design; FIG. 2 is a front elevational view thereof; FIG. 3 is a right side elevational view thereof; FIG. 4 is a left side elevational view thereof; FIG. 5 is a top plan view thereof; FIG. 6 is a rear elevational view thereof; FIG. 7 is a bottom plan view thereof; and FIG. 8 is a perspective view of the bowling ball carrying case in the opened position.

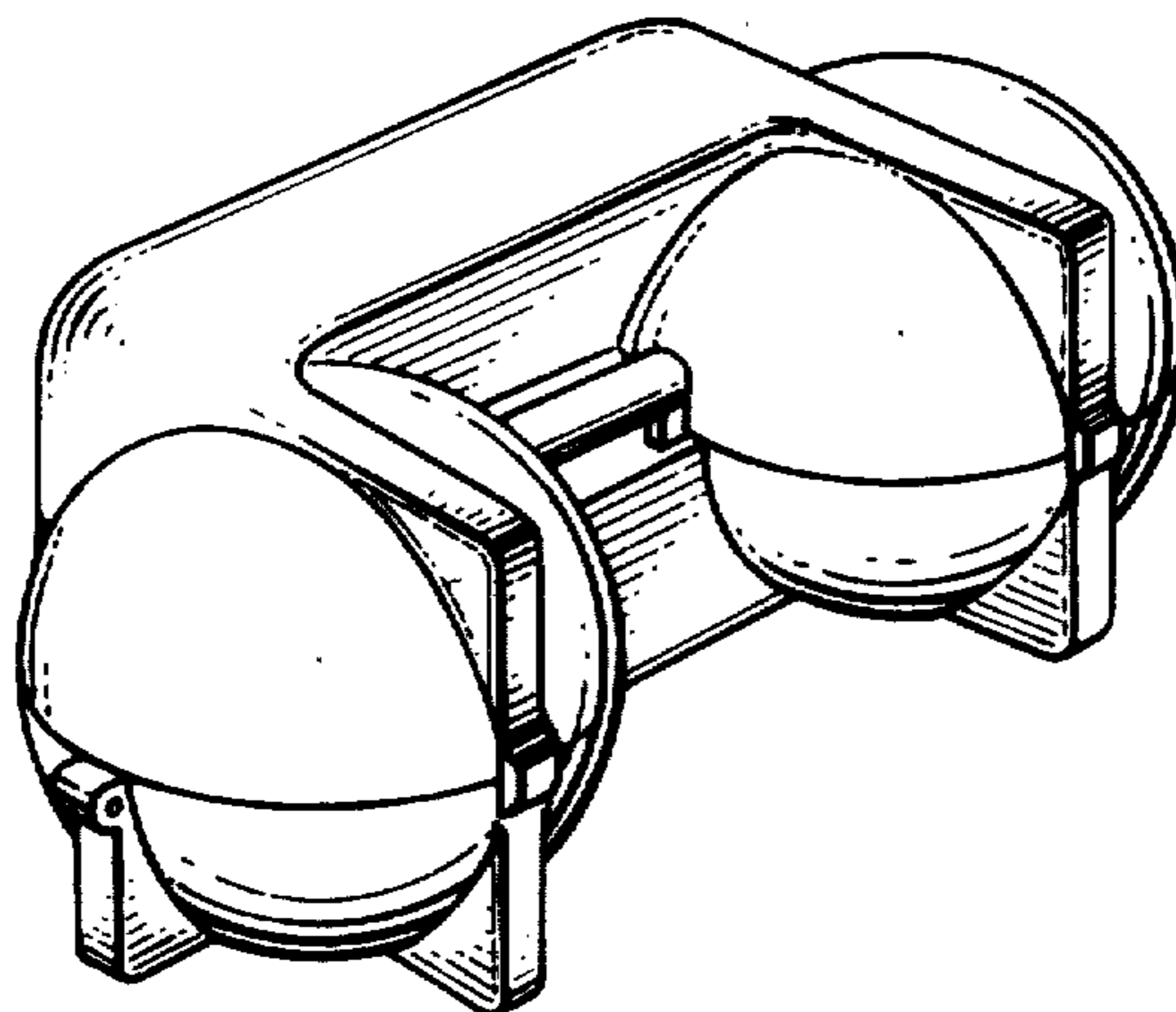


Fig. 1.

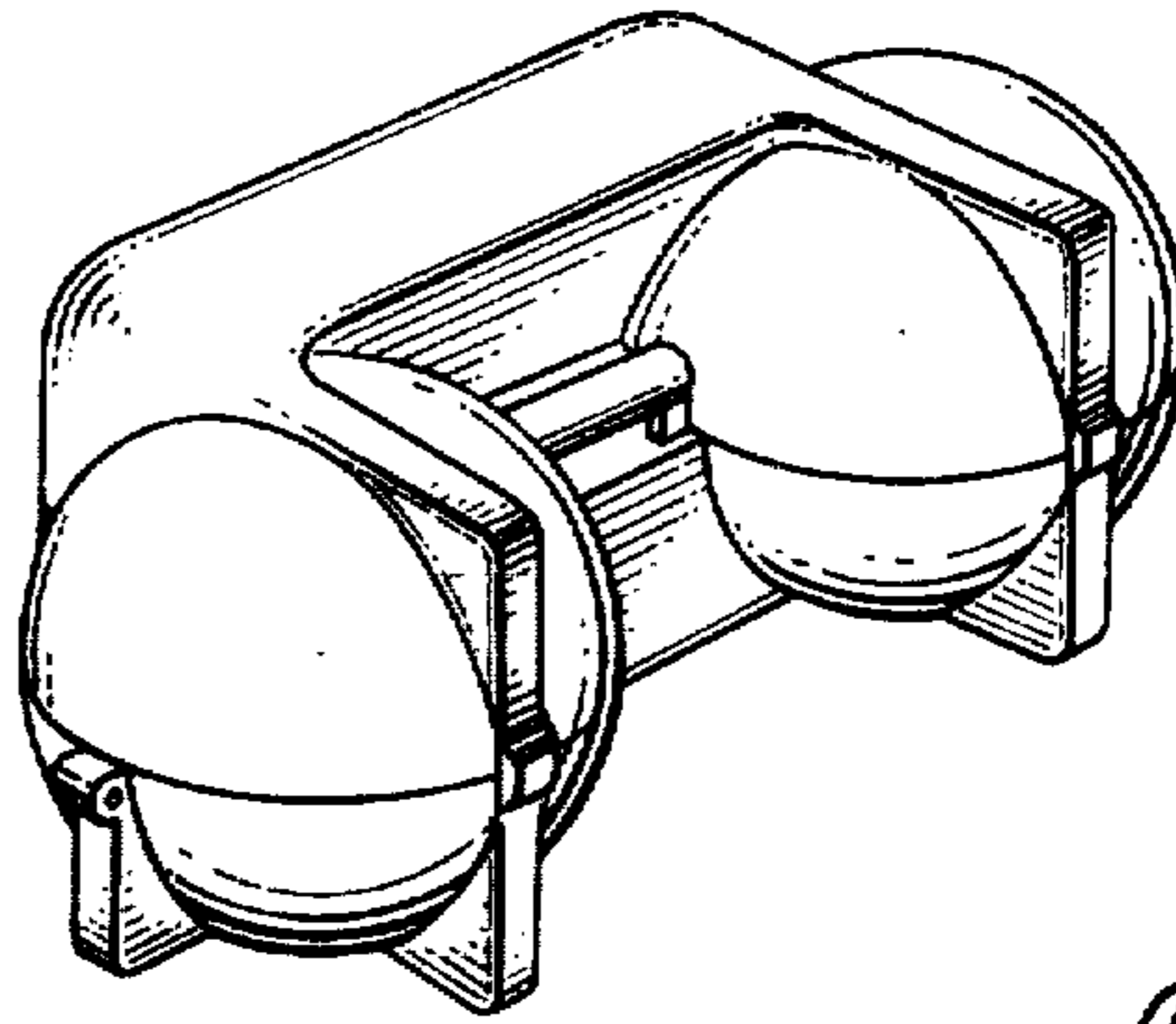


Fig. 2.

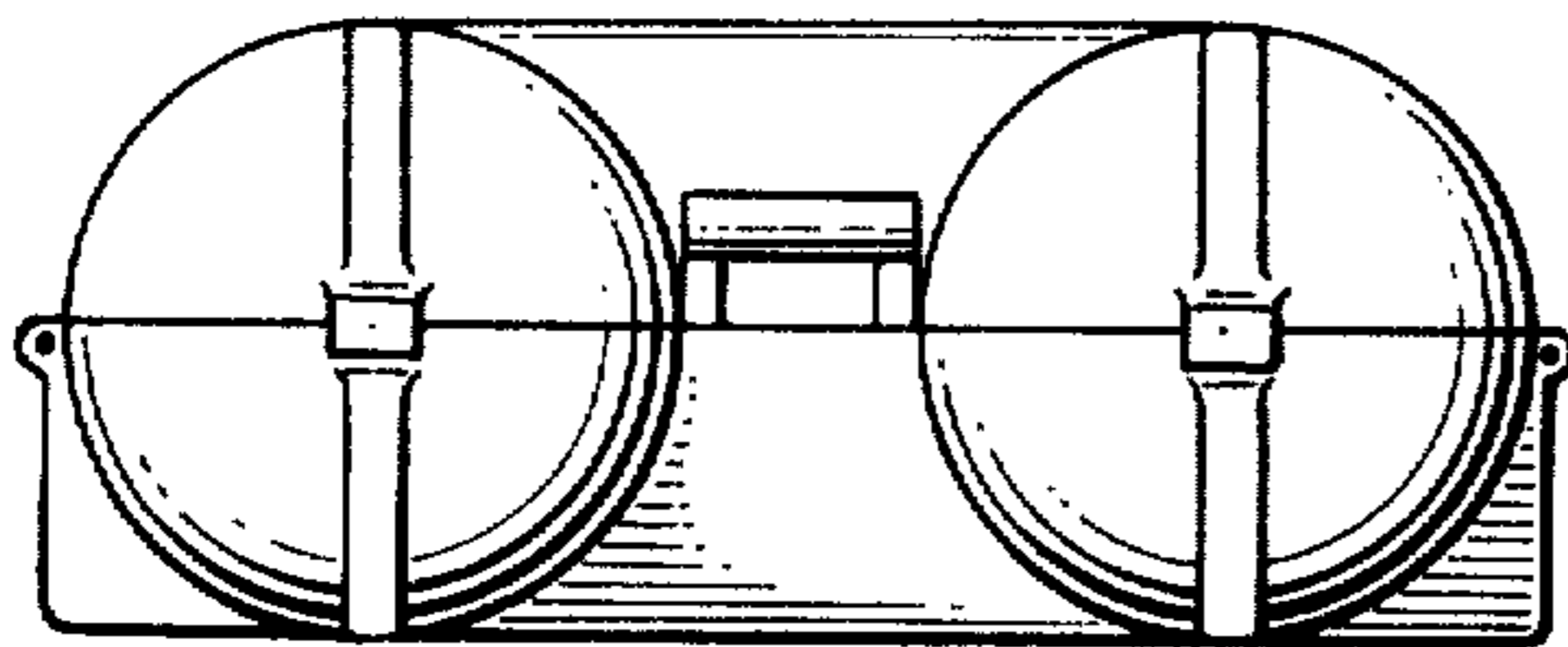


Fig. 3.

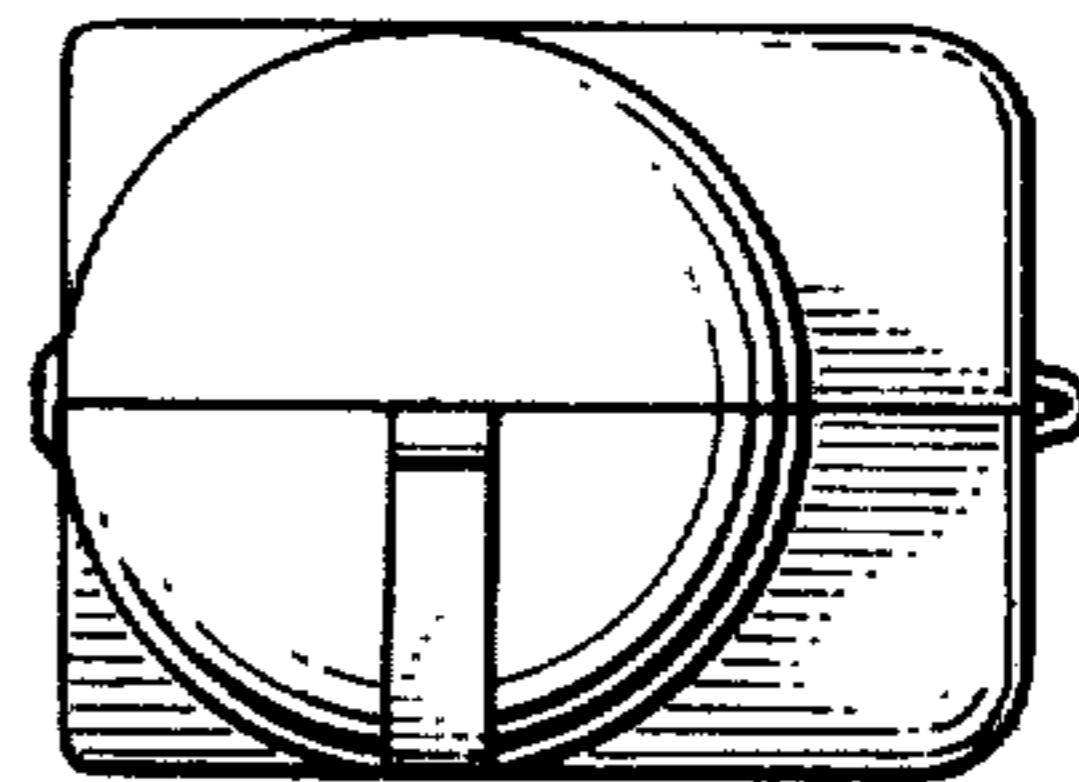


Fig. 4.

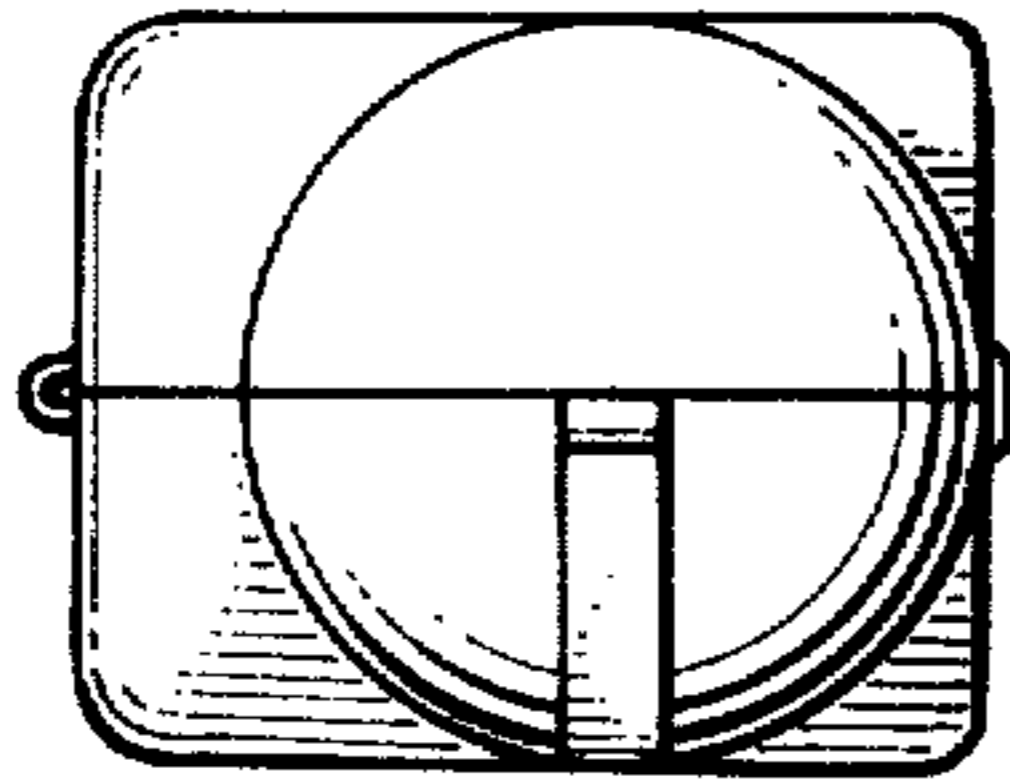


Fig. 5.

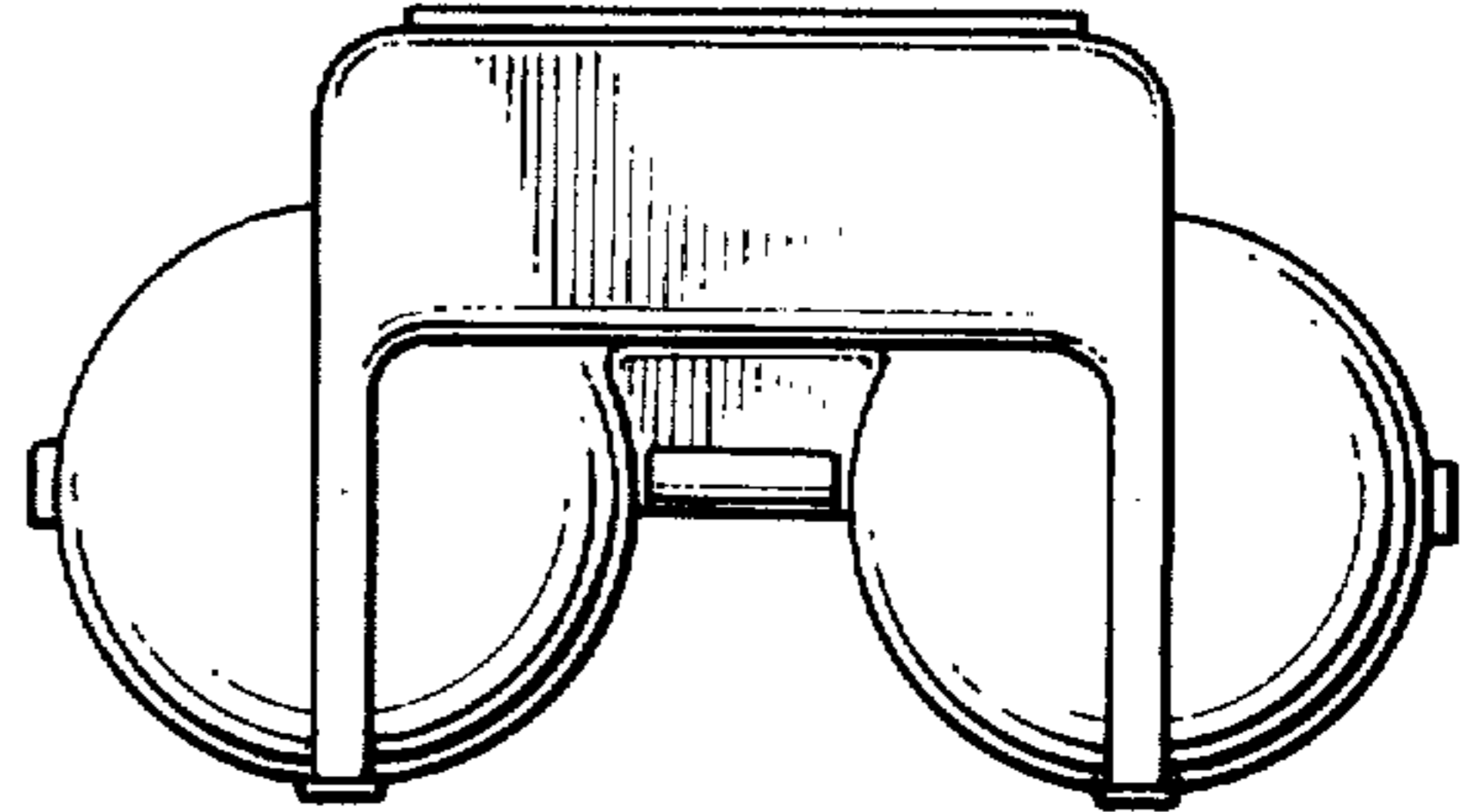


Fig. 7.

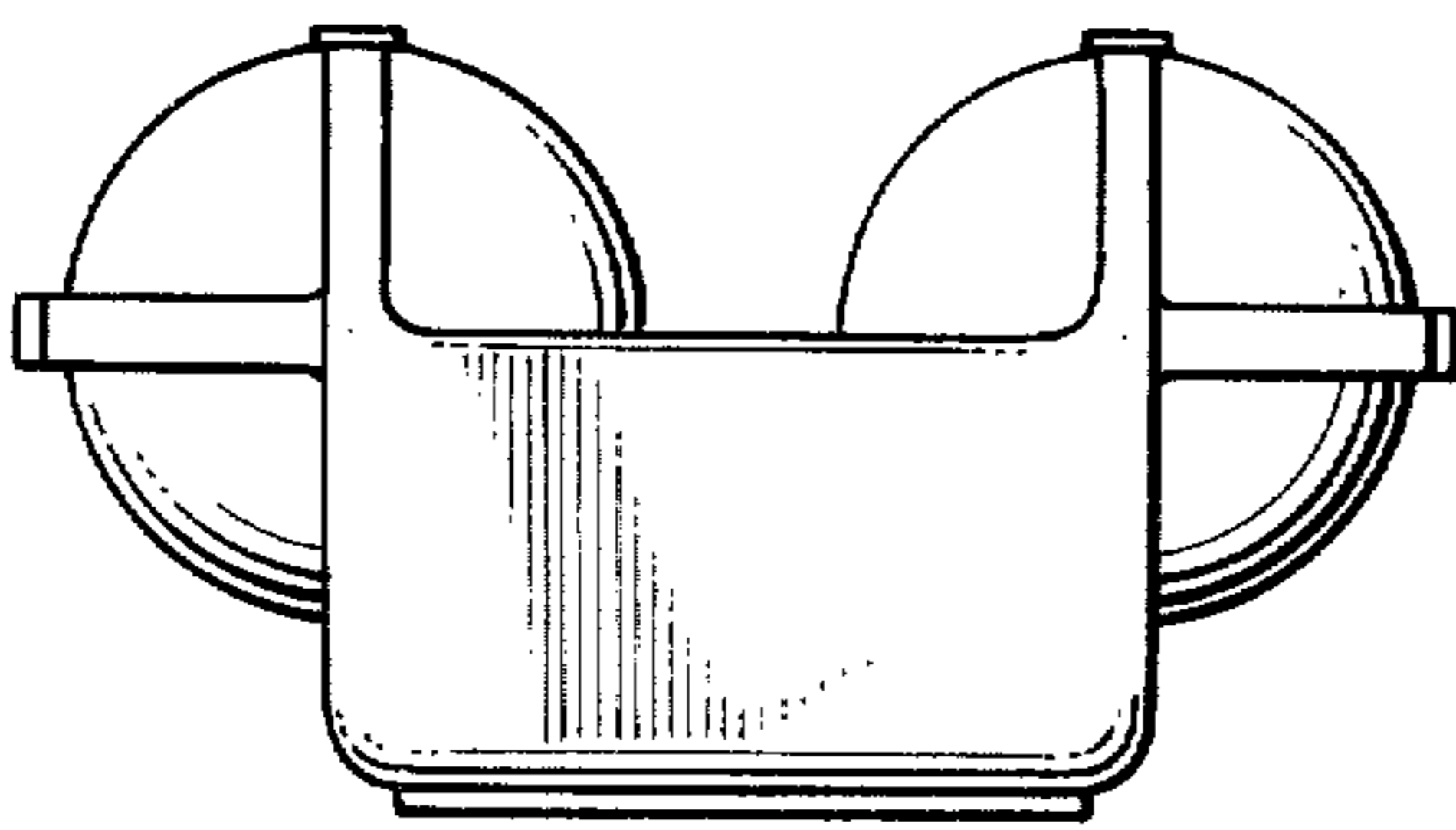


Fig. 6.

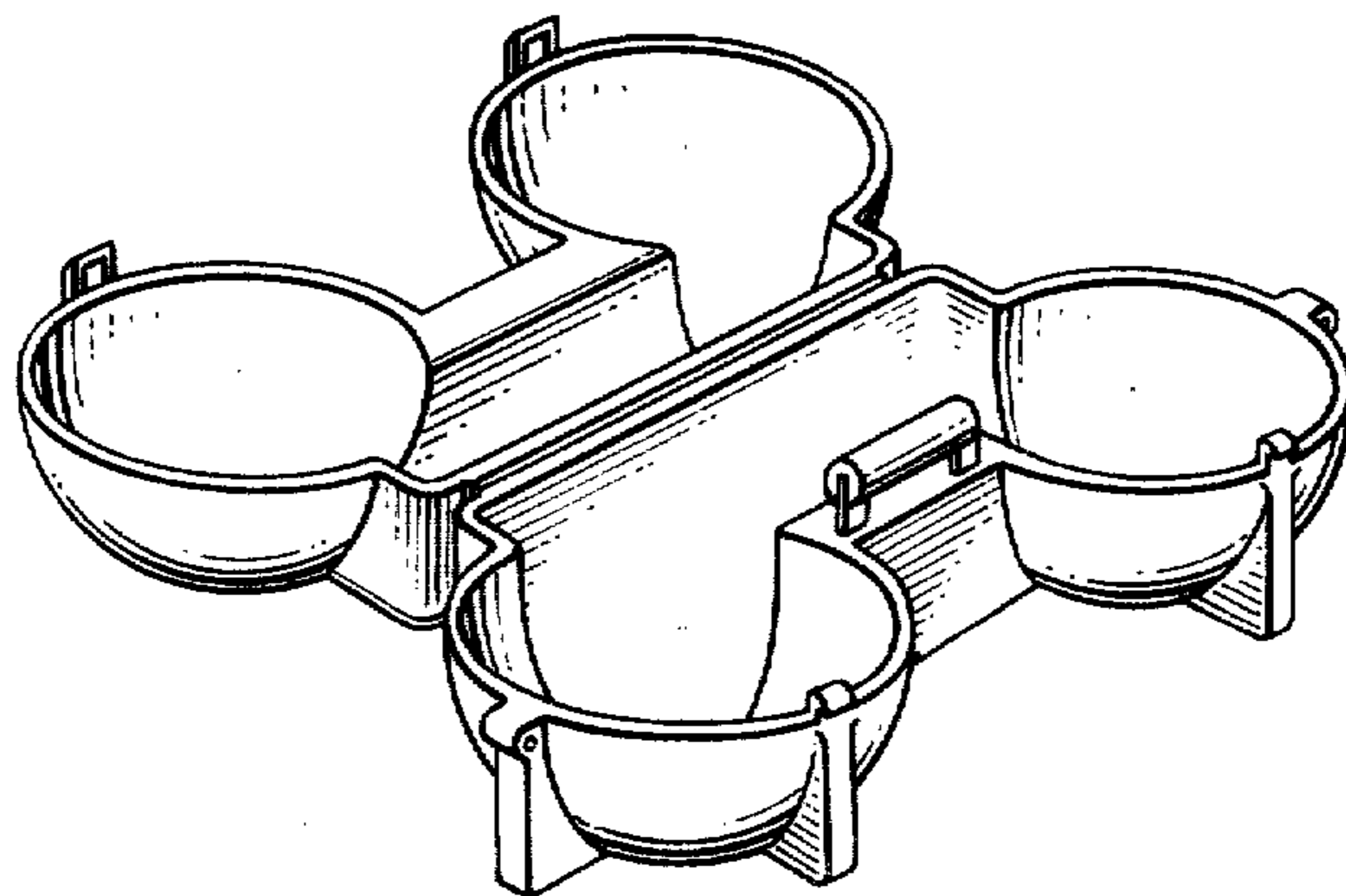
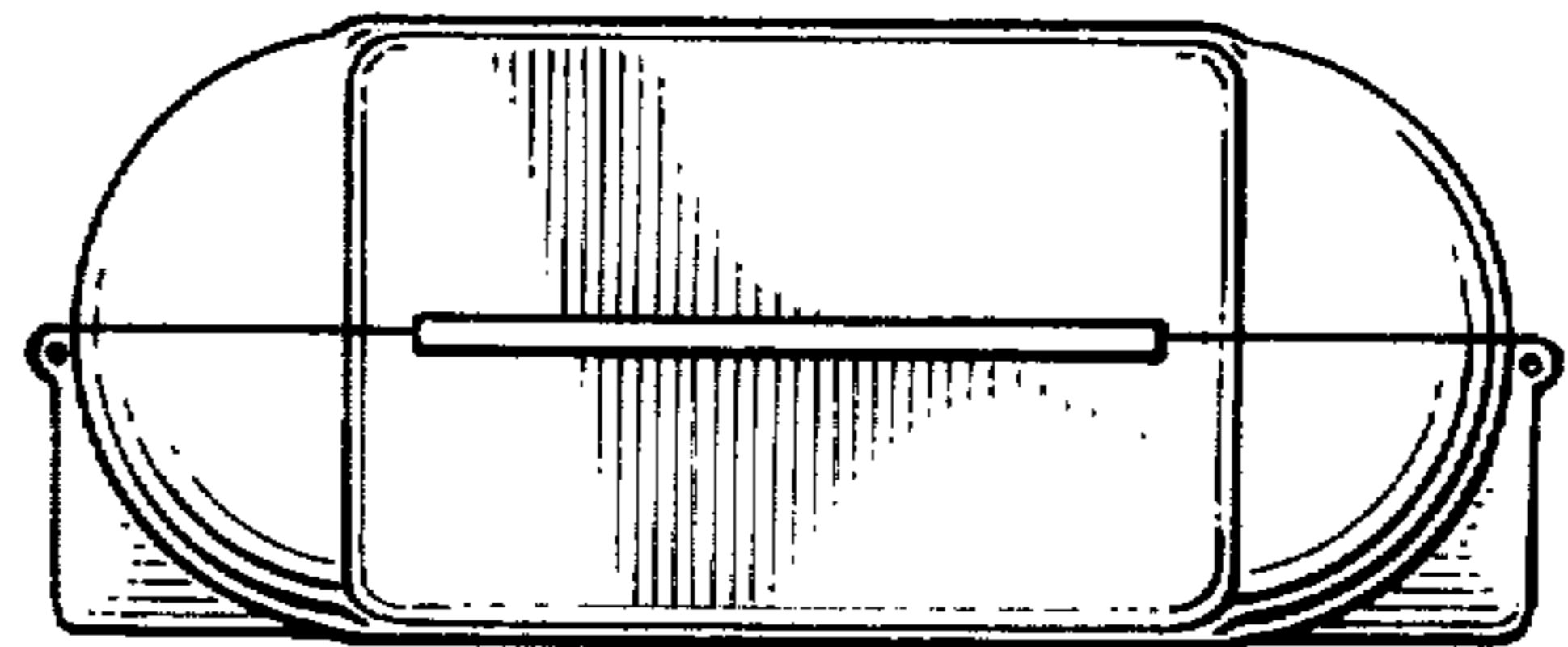


Fig. 8.