

[54] LAMP

[76] Inventor: **Richard C. Wilson**, Box 26,
Champlin, Minn. 55316

[21] Appl. No.: **224,060**

[22] Filed: **Jan. 12, 1981**

[51] Int. Cl. **D26-05**

[52] U.S. Cl. **D26/93**

[58] Field of Search **D26/93, 102-112,
D26/51; 362/806, 410, 411, 412, 413, 414**

[56] **References Cited**

U.S. PATENT DOCUMENTS

- D. 80,480 2/1930 Edelman D26/105
- D. 147,929 11/1947 Rudnitsky D26/108 X

- D. 239,313 3/1976 Benway D26/51
- 2,765,399 10/1956 Drosakis 362/410 X

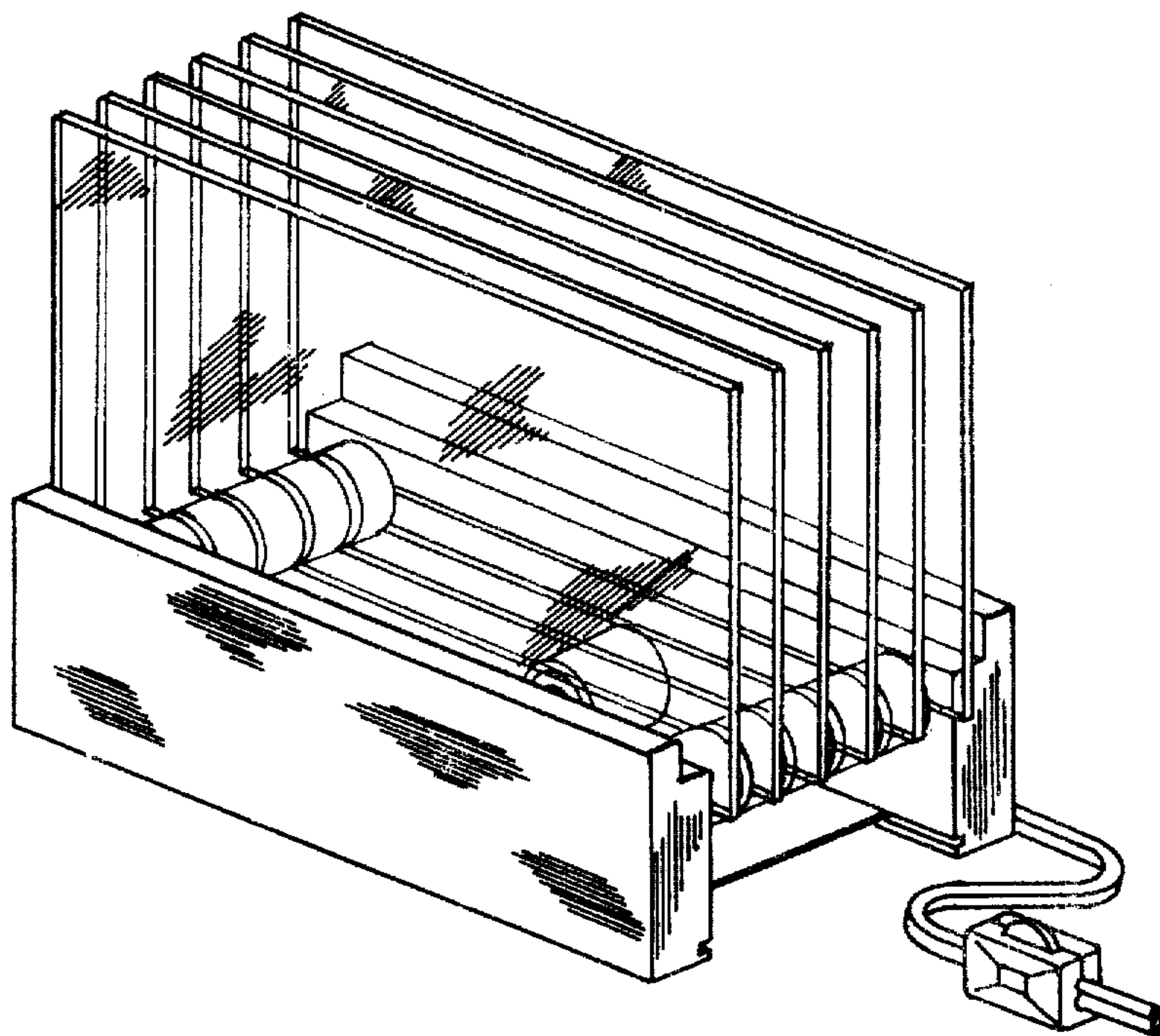
Primary Examiner—Susan J. Lucas
Attorney, Agent, or Firm—James R. Haller

[57] **CLAIM**

The ornamental design for a lamp, as shown and described.

DESCRIPTION

FIG. 1 is a perspective view of the lamp of the invention;
 FIG. 2 is a top view thereof;
 FIG. 3 is a side view thereof, shown partially broken away, the reverse side being a mirror image;
 FIG. 4 is a front view thereof; and
 FIG. 5 is a rear view thereof.



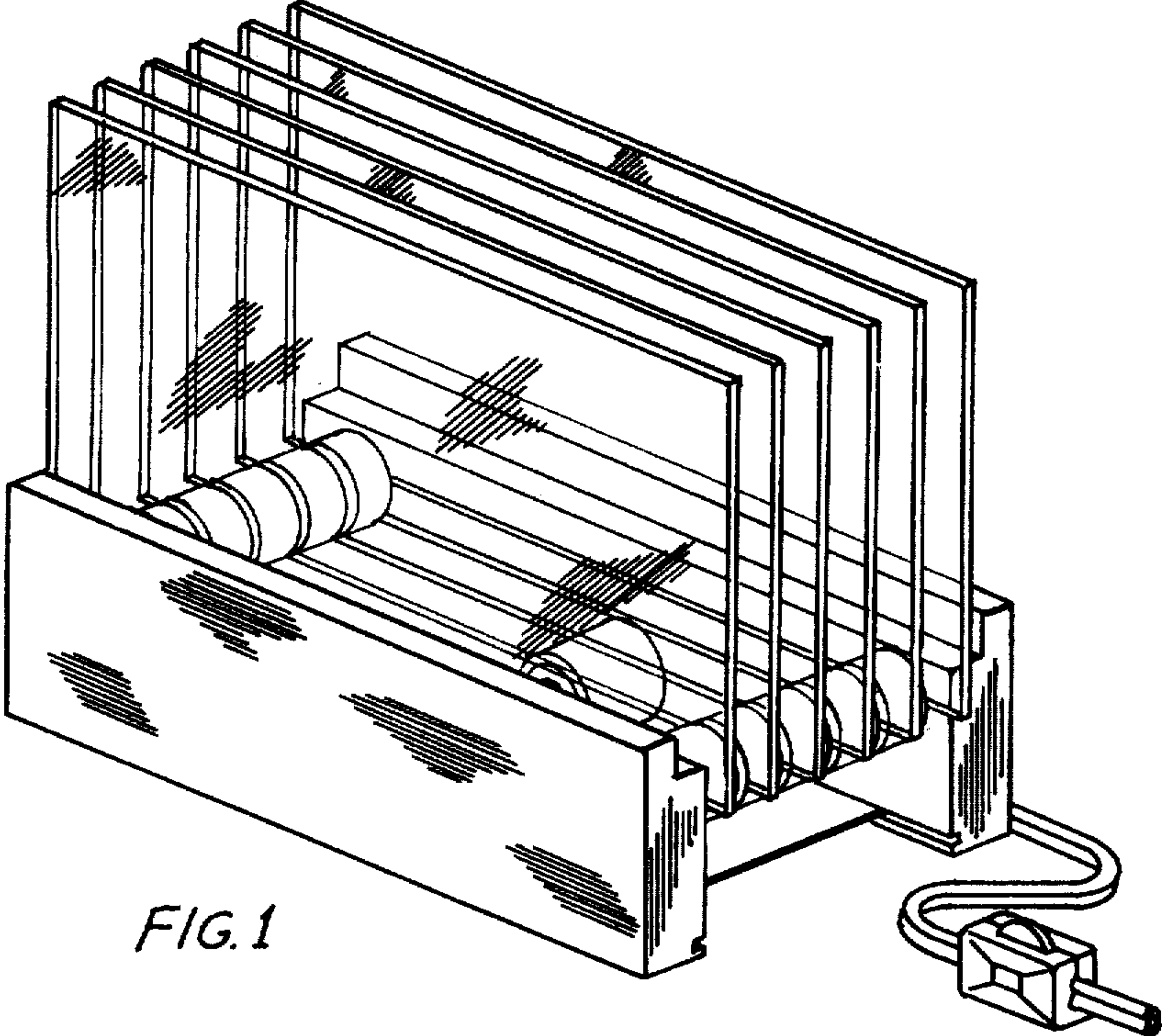


FIG. 1

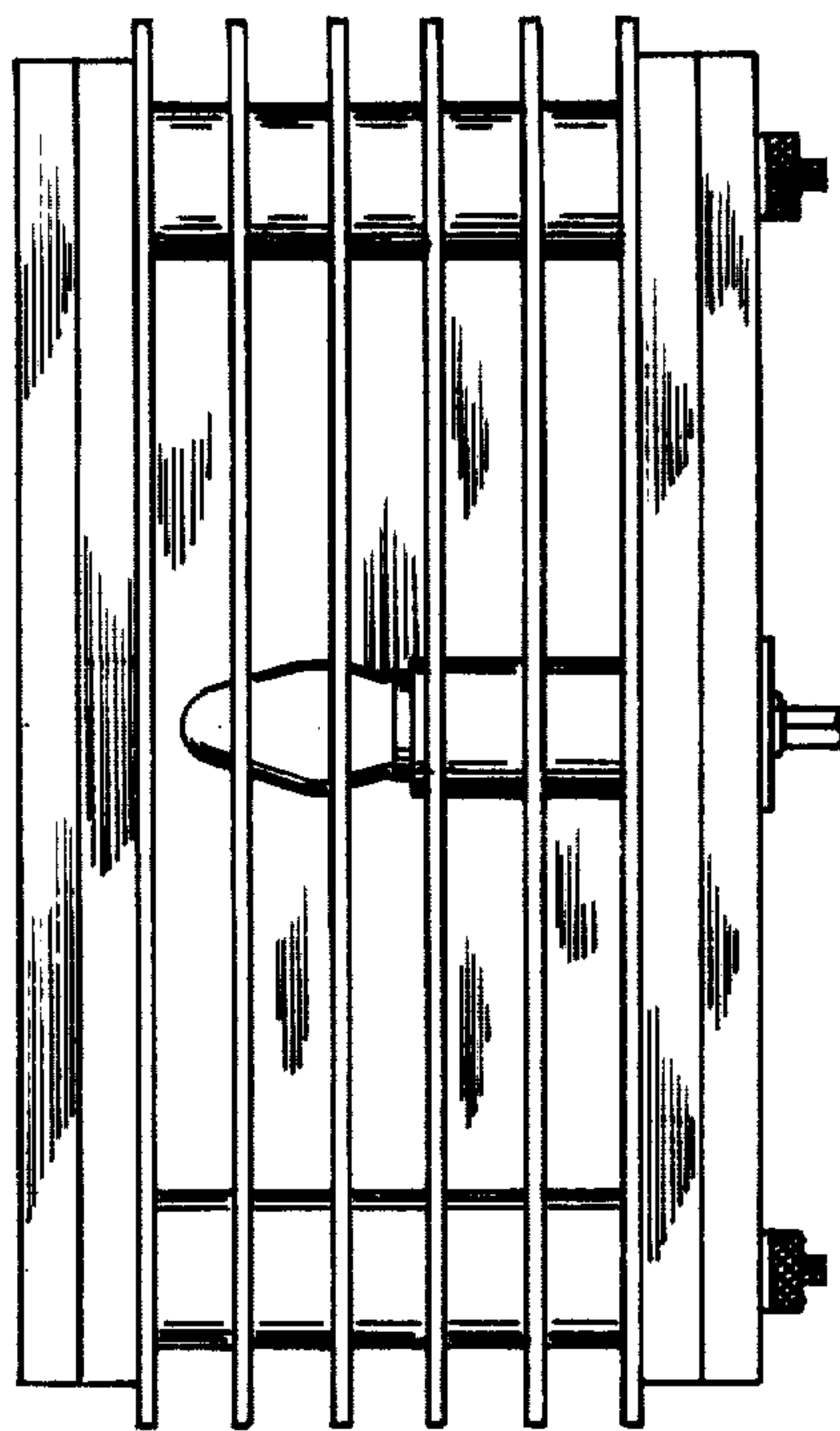


FIG. 2

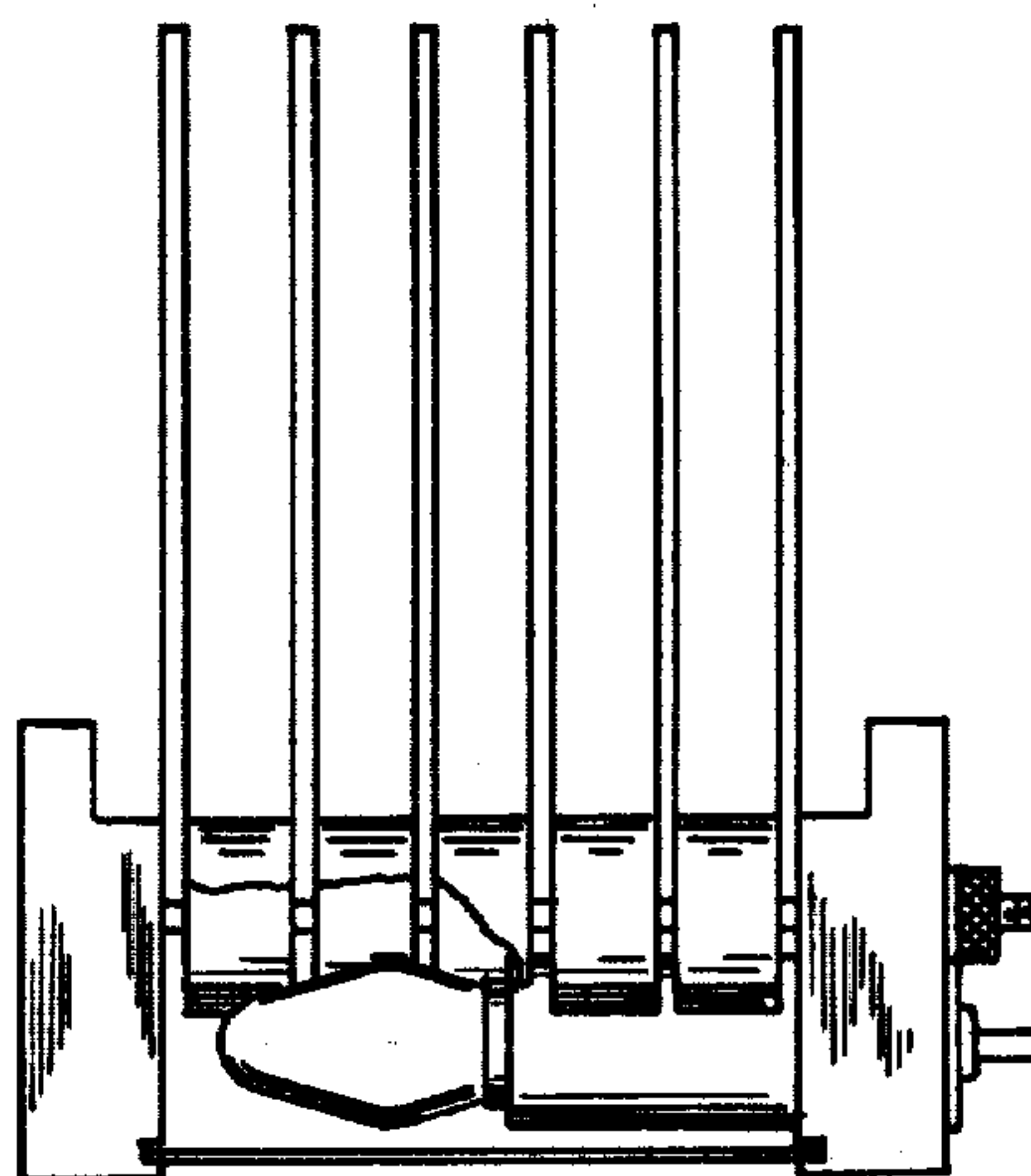


FIG. 3

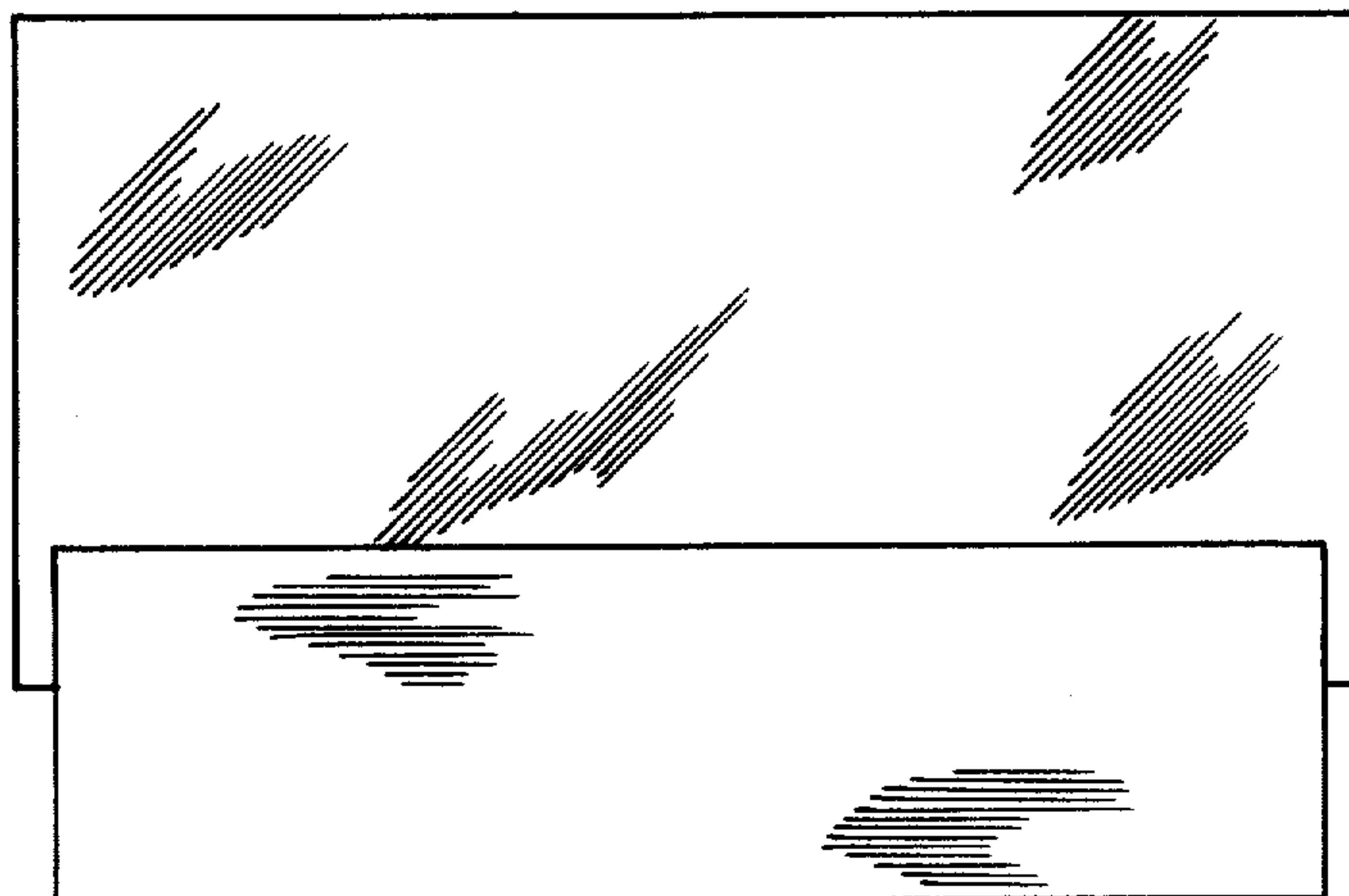


FIG. 4

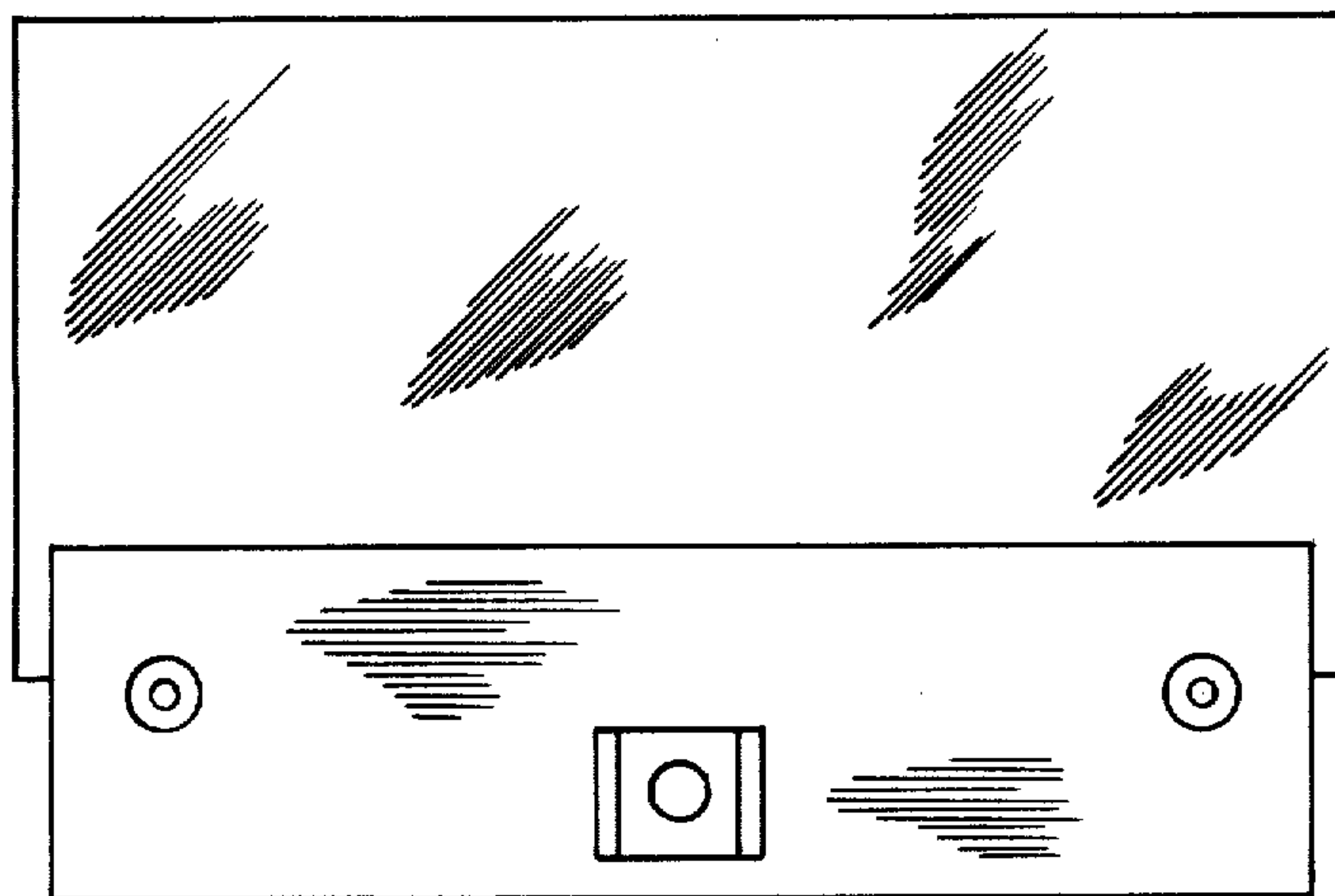


FIG. 5