

[54] **FRAME COMPONENT FOR THE BASE OF A COLLAPSIBLE CONTAINER**

[75] **Inventor:** Vincent J. Smith, West Somerset, Australia

[73] **Assignee:** TAS Engineering Service Pty. Ltd., West Somerset, Australia

[21] **Appl. No.:** 242,271

[22] **Filed:** Mar. 10, 1981

[30] **Foreign Application Priority Data**

Sep. 11, 1980 [AU]	Australia	82012
Sep. 11, 1980 [AU]	Australia	82013
Sep. 11, 1980 [AU]	Australia	82014

[51] **Int. Cl.** D25-01

[52] **U.S. Cl.** D25/74; D9/434

[58] **Field of Search** D9/434, 499; 220/4 F, 220/4 D, 1.5, 80; 217/69; D25/70, 73, 74

[56] **References Cited**

U.S. PATENT DOCUMENTS

2,919,826	1/1960	Richter	220/1.5
3,261,493	7/1966	Smith	220/80 X
3,989,157	11/1976	Veenema	220/80 X
4,212,406	7/1980	Mittelmann	220/4 F X
4,271,975	6/1981	Ketner et al.	220/1.5 X

Primary Examiner—A. Hugo Word
Attorney, Agent, or Firm—Dennison, Meserole, Pollack & Scheiner

[57] **CLAIM**

The ornamental design of a frame component for the base of a collapsible container, as shown.

DESCRIPTION

FIG. 1 is a perspective view from above and from one end of a frame component showing the new design; FIG. 2 is a sectional lid elevation of the frame component of FIG. 1;

FIG. 3 is a perspective view from beneath and from the other end of the frame component of FIG. 1;

FIG. 4 is a perspective view from above and from one end of another frame component showing the new design;

FIG. 5 is a sectional lid elevation of the frame component of FIG. 4;

FIG. 6 is a perspective view from beneath and from the other end of the frame component of FIG. 4;

FIG. 7 is a perspective view from above and from one end of a still further frame component showing the new design;

FIG. 8 is a sectional lid elevation of the frame component of FIG. 7;

FIG. 9 is a perspective view from beneath and from the other end of the frame component of FIG. 7.

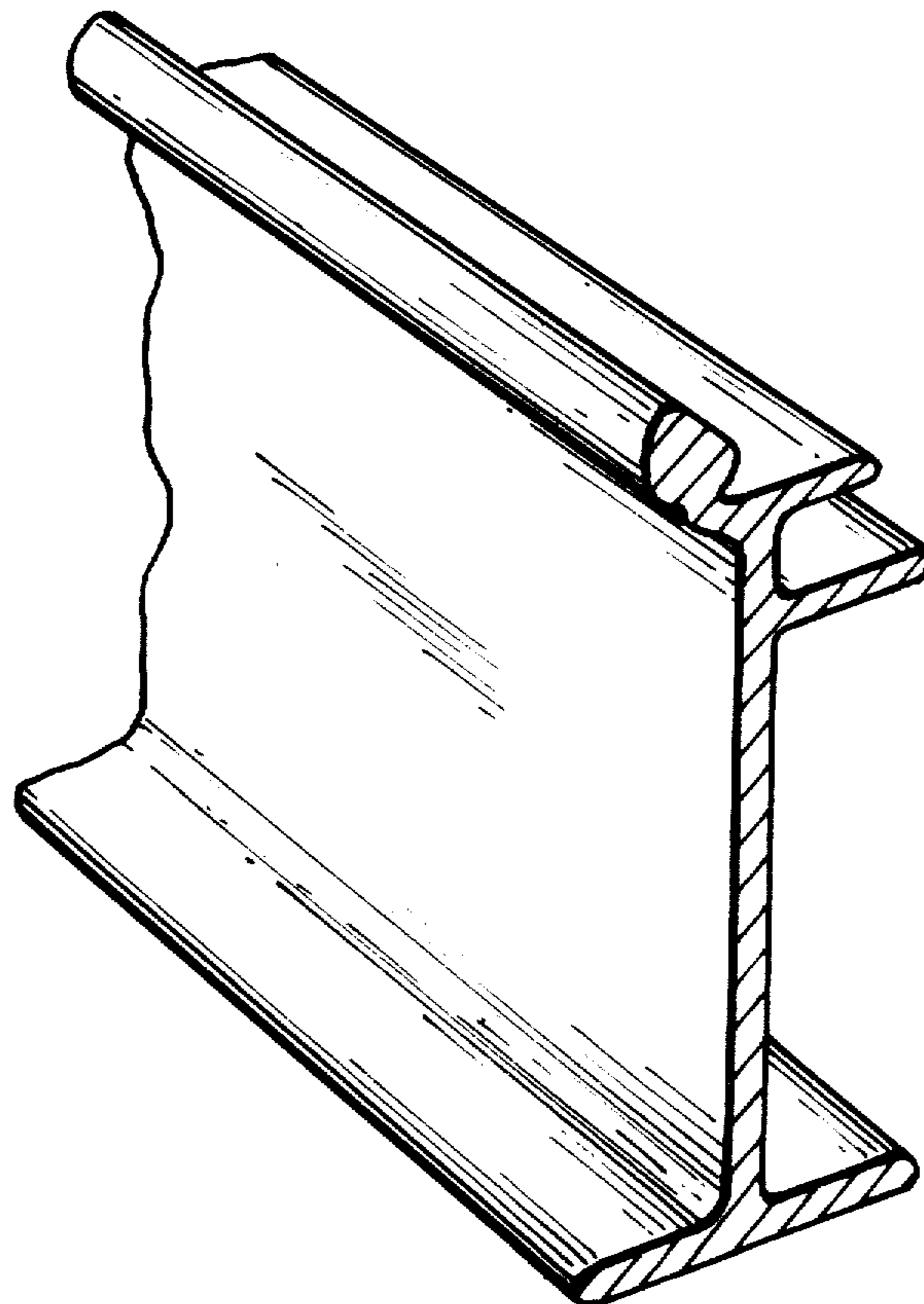


FIG. 1.

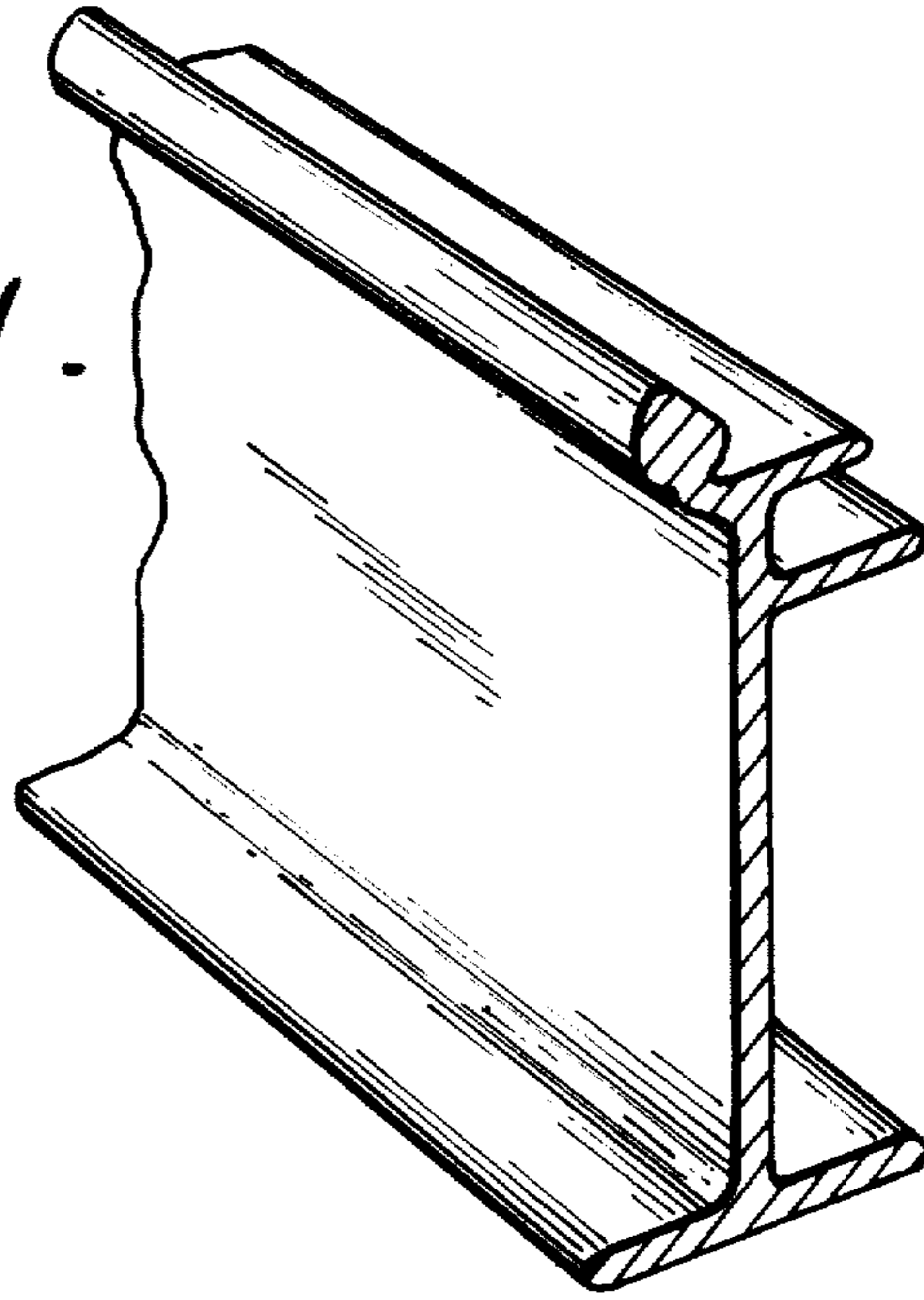


FIG. 2.

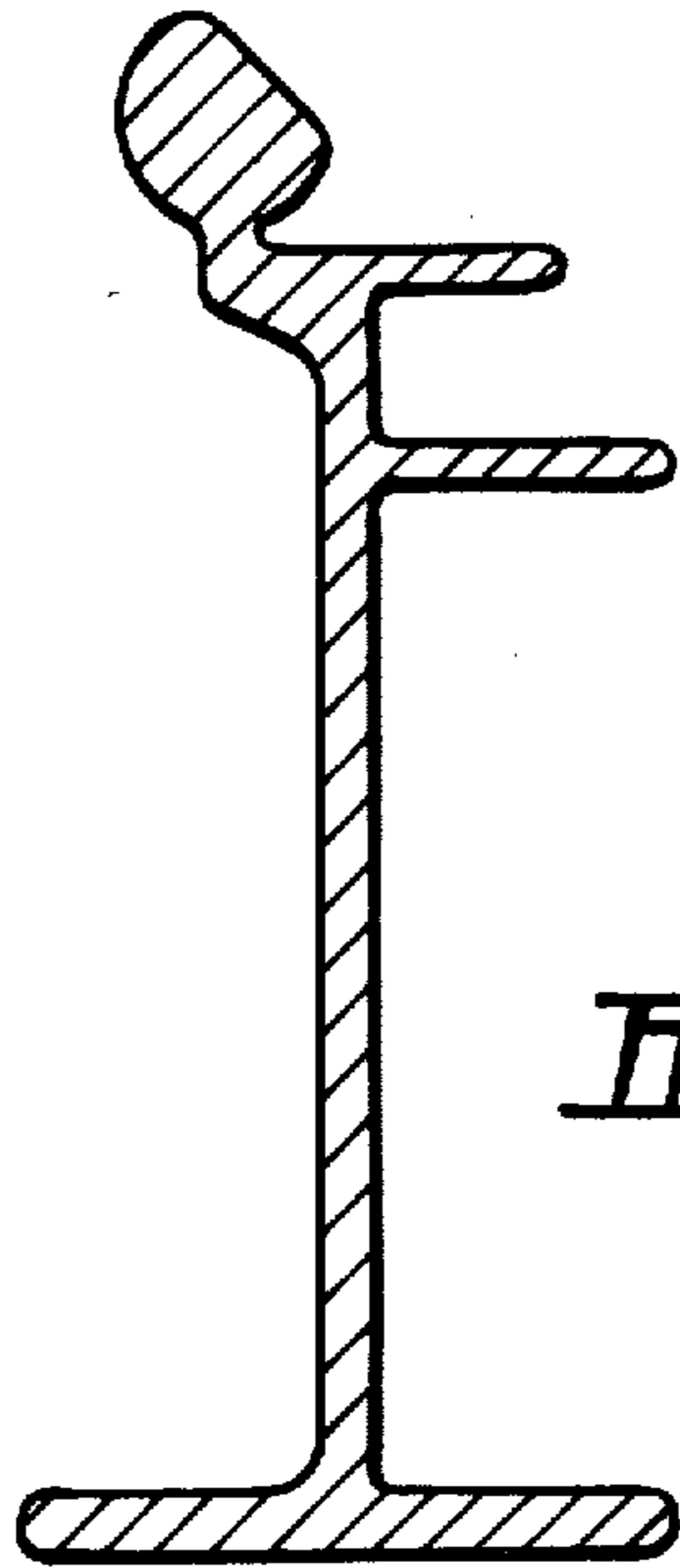
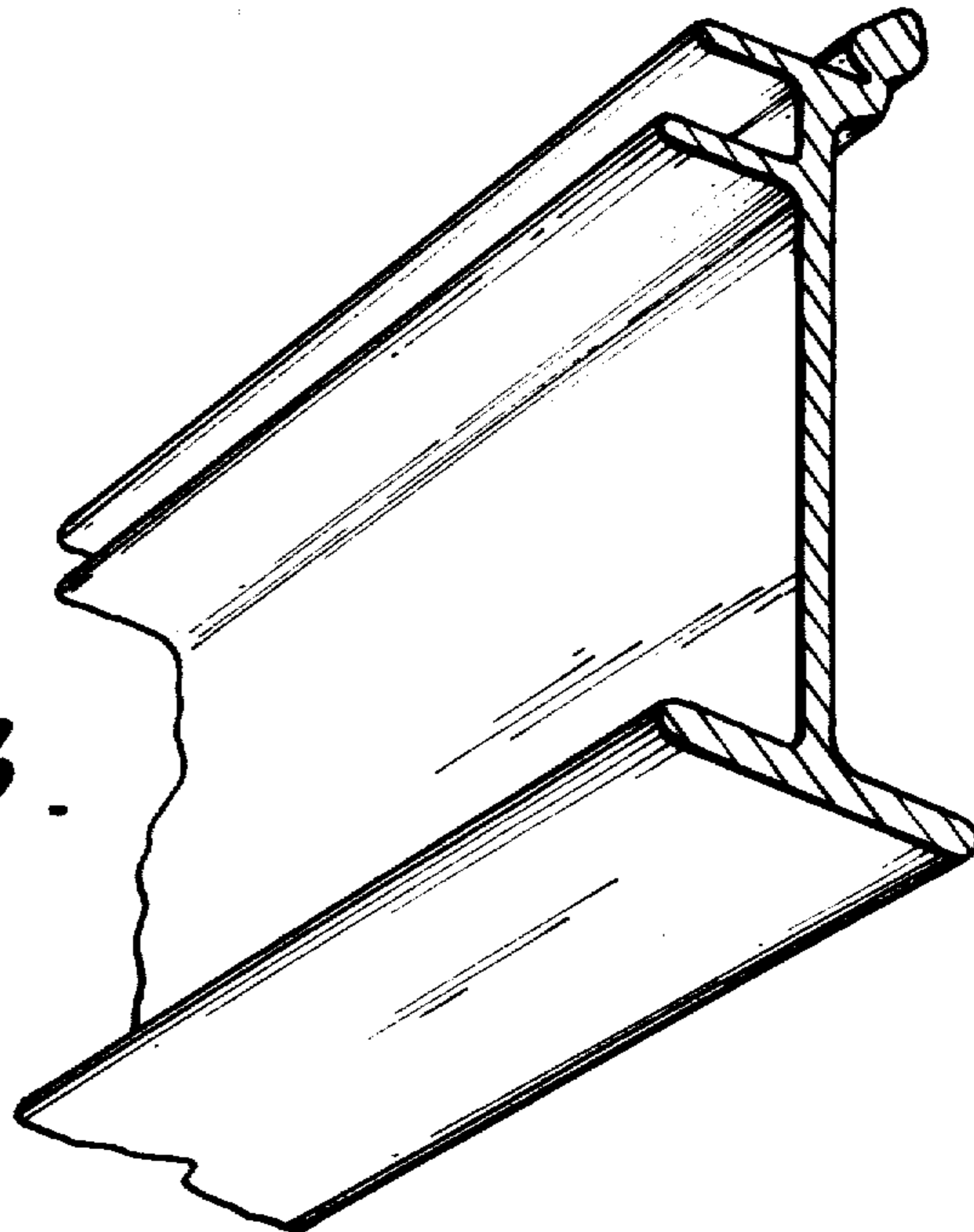
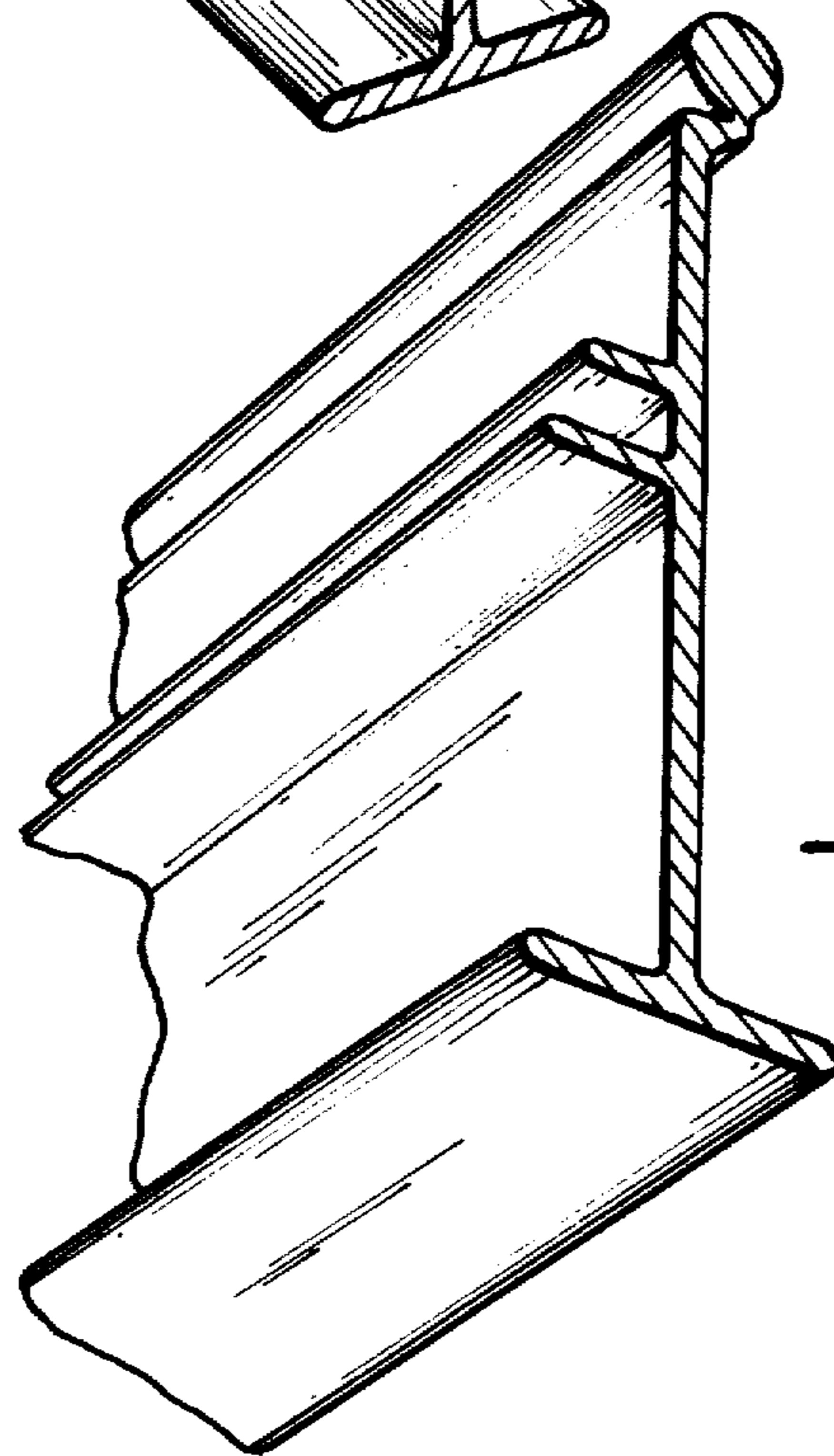
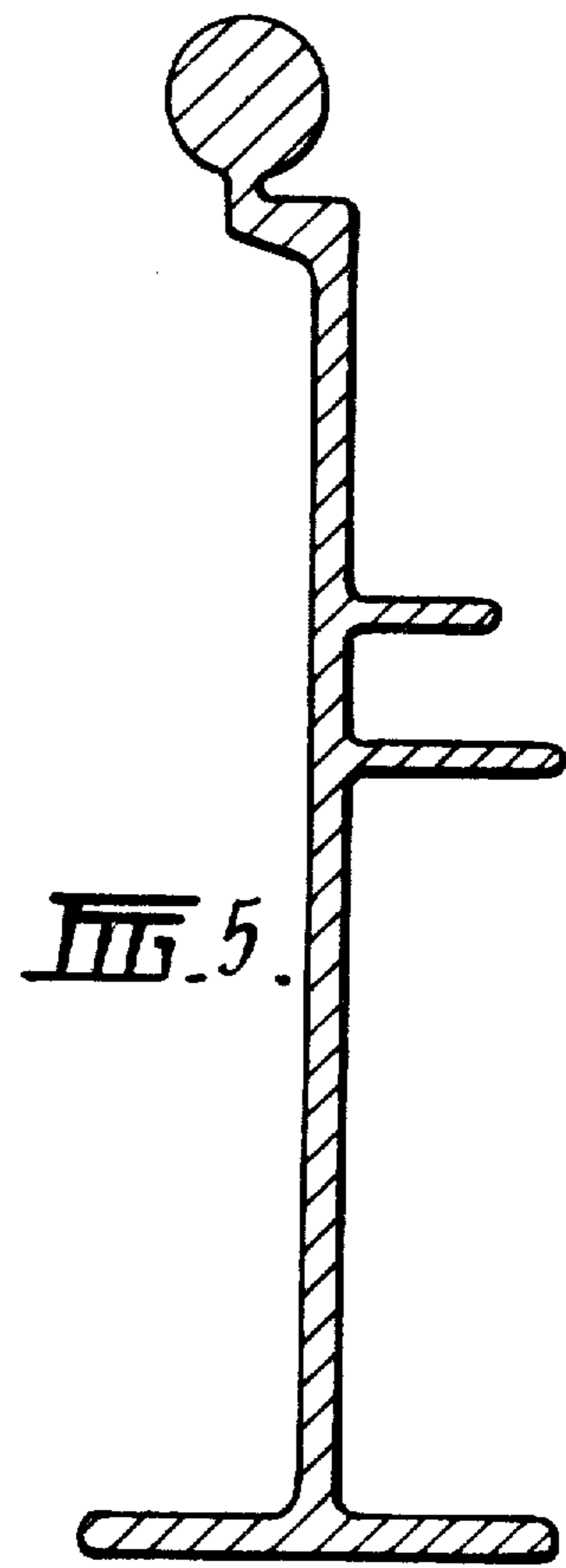
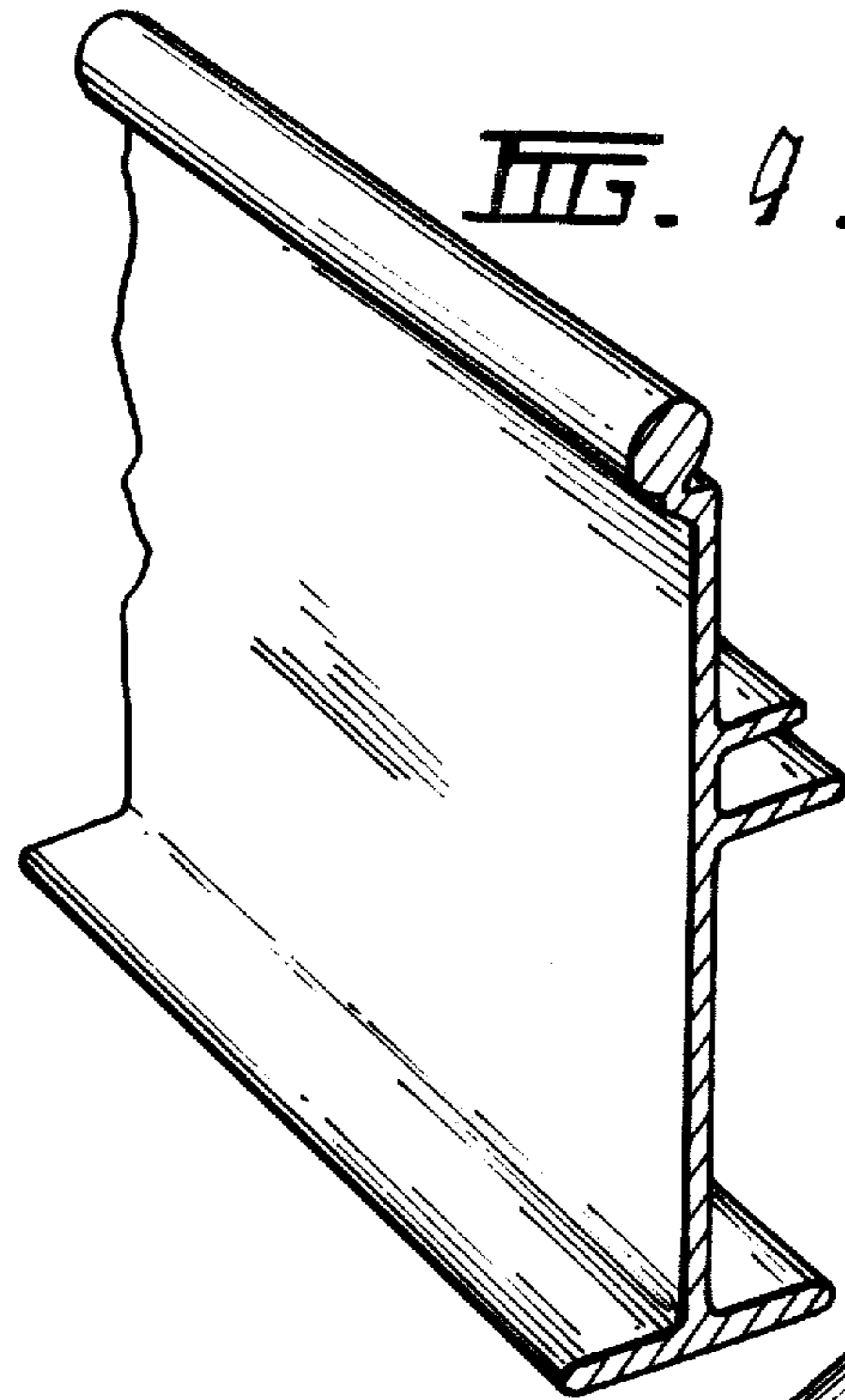


FIG. 3.





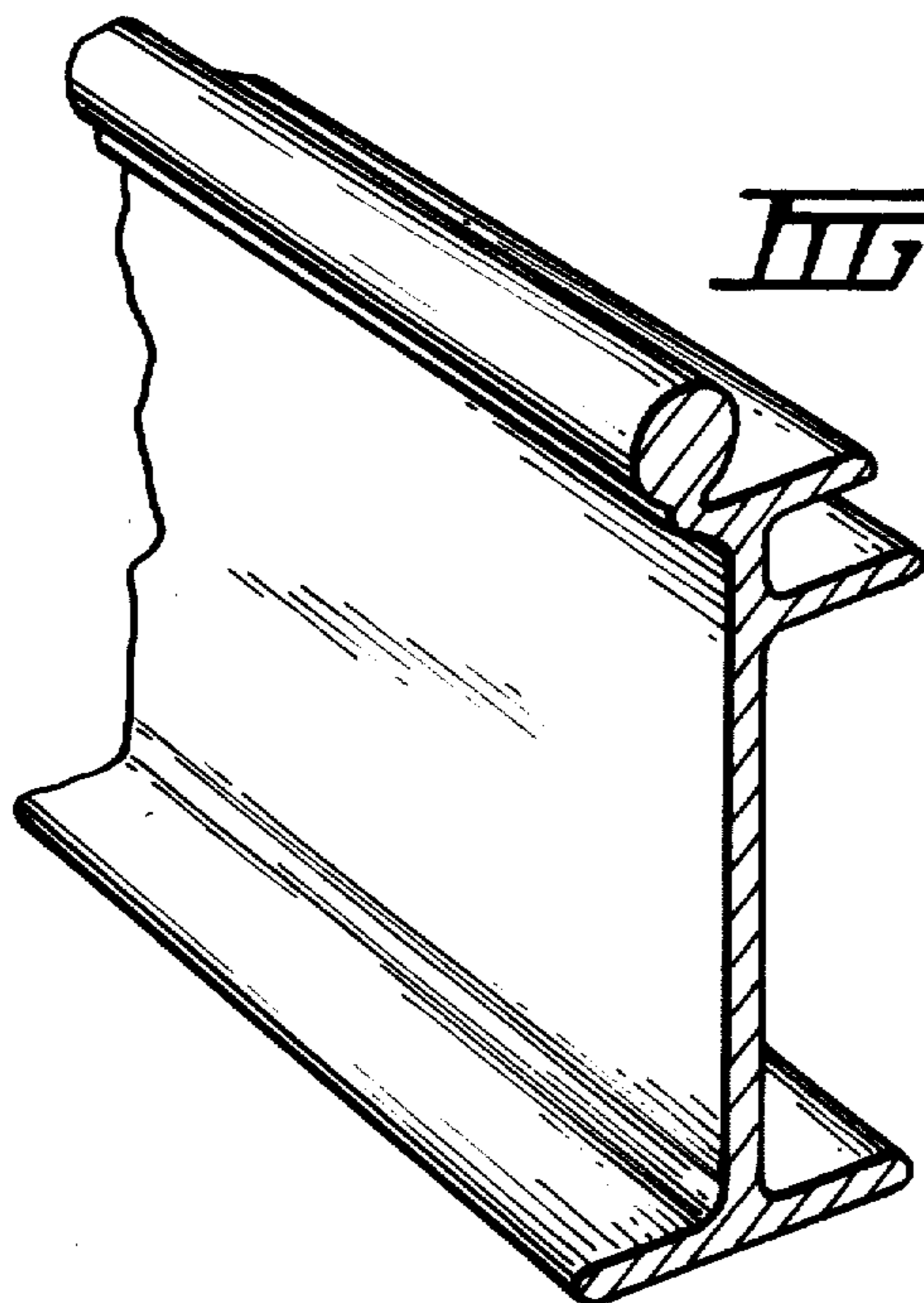


FIG. 7.

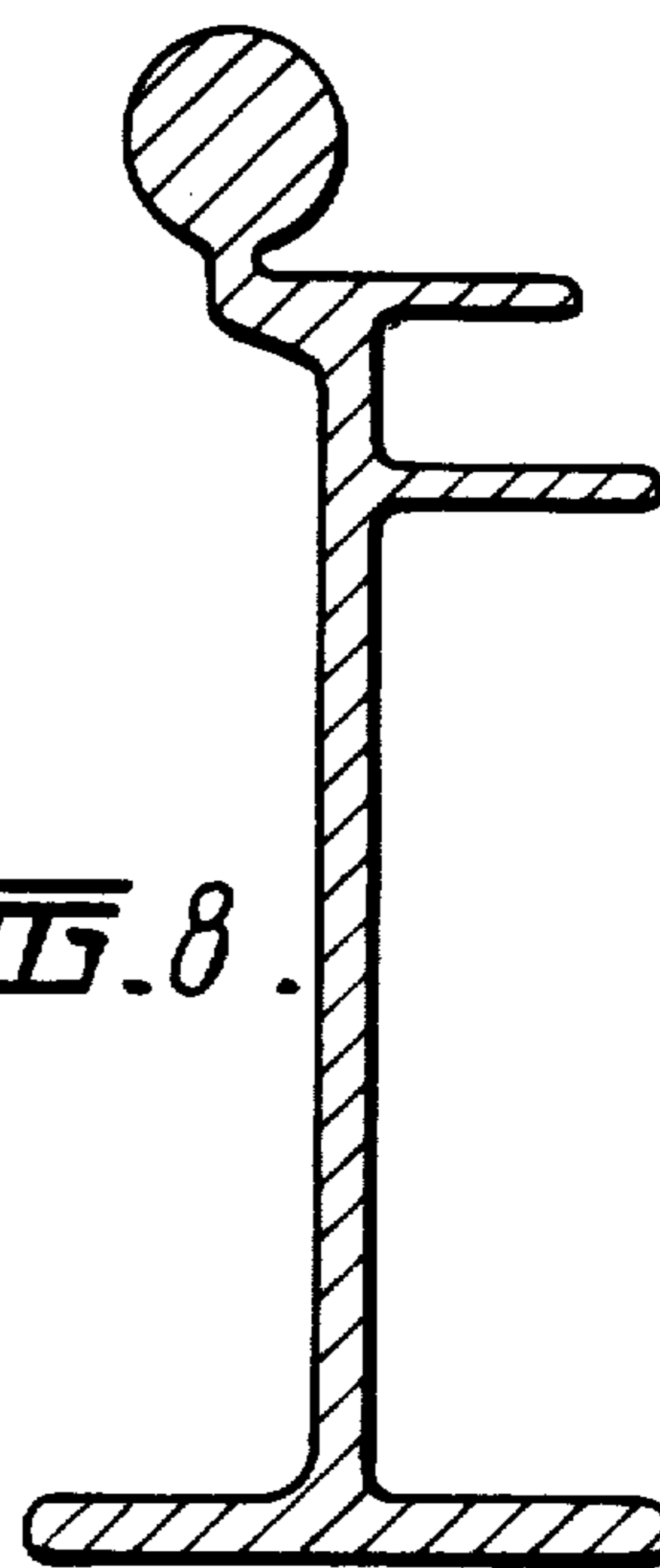


FIG. 8.

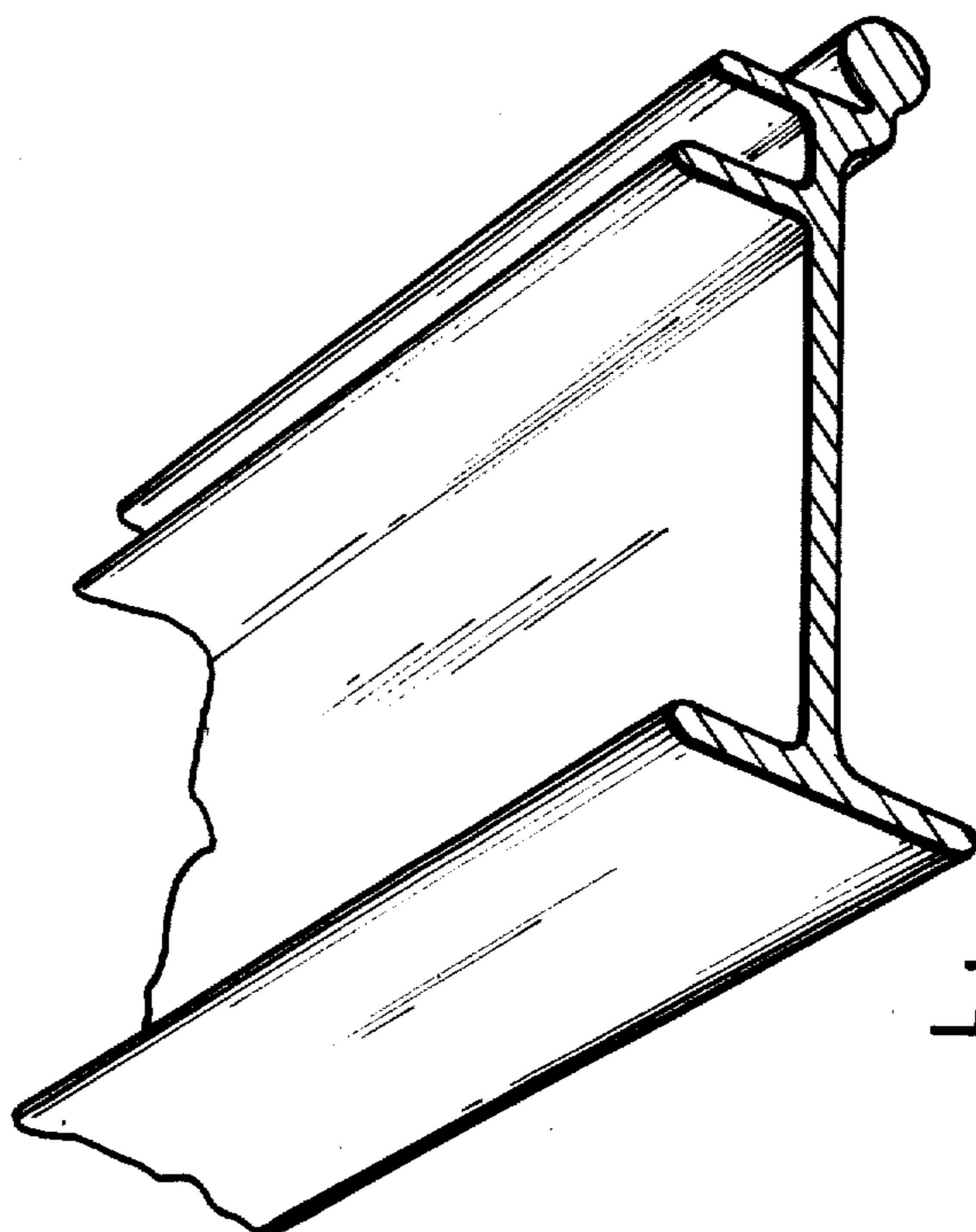


FIG. 9.