

[54] **EDGE COMPONENT FOR THE SIDE PANELS OF A COLLAPSIBLE CONTAINER**

[75] Inventor: **Vincent J. Smith**, West Somerset, Australia

[73] Assignee: **TAS Engineering Service Pty. Ltd.**, West Somerset, Australia

[21] Appl. No.: **242,270**

[22] Filed: **Mar. 10, 1981**

[30] **Foreign Application Priority Data**

Sep. 11, 1980 [AU] Australia 82011

[51] Int. Cl. **D25-74**

[52] U.S. Cl. **D25/74; D9/434**

[58] Field of Search **D9/434, 499; 220/4 F, 220/4 D, 1.5, 80; 217/69; D25/70, 73, 74**

[56] **References Cited**

U.S. PATENT DOCUMENTS

2,919,826	1/1960	Richter	220/1.5
3,261,493	7/1966	Smith	220/80 X
3,989,157	11/1976	Veenema	220/80 X
4,212,406	7/1980	Mittelmann	220/4 F X
4,271,975	6/1981	Ketner et al.	220/1.5 X

Primary Examiner—A. Hugo Word

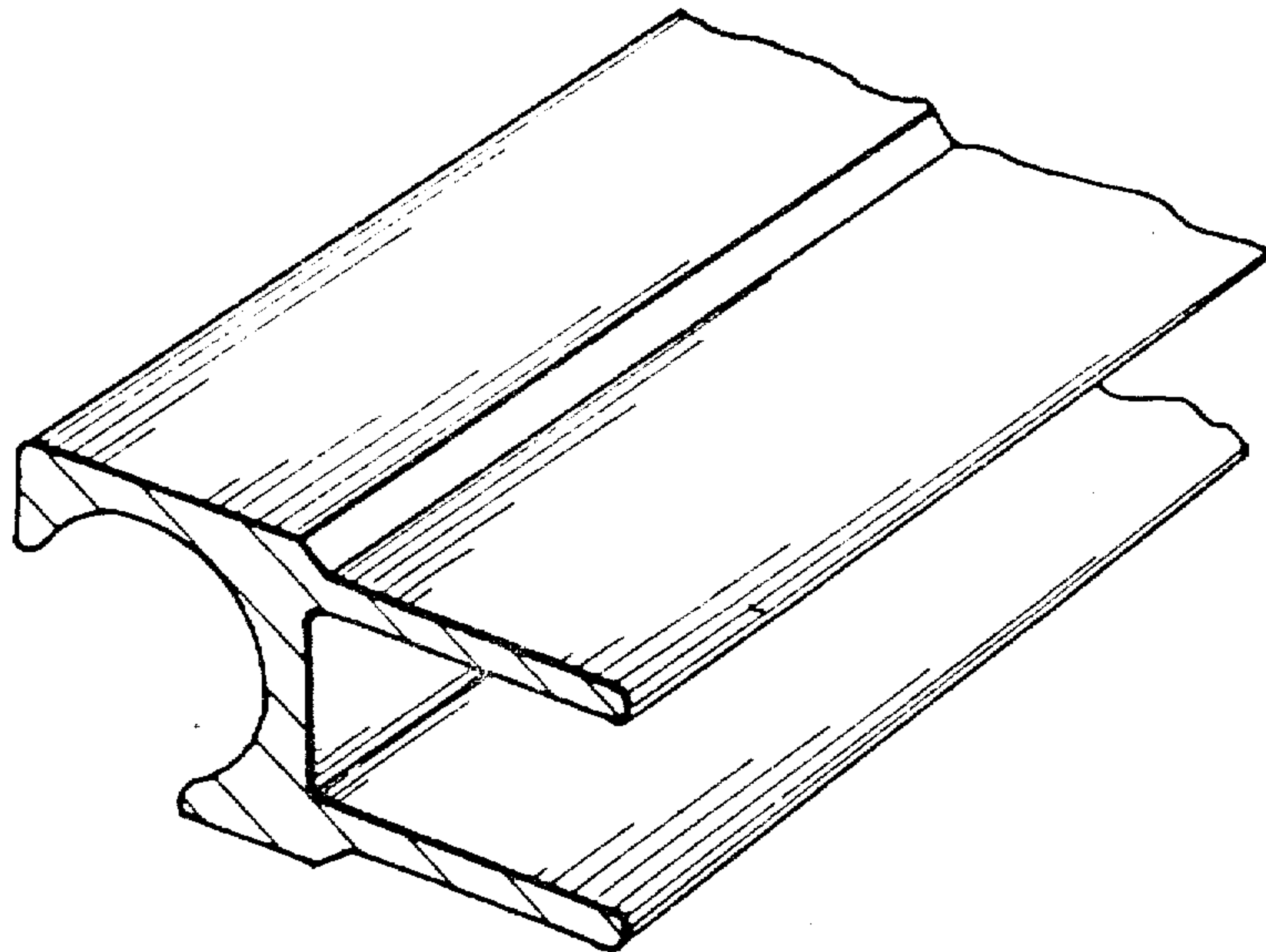
Attorney, Agent, or Firm—Dennison, Meserole, Pollack & Scheiner

[57] **CLAIM**

The ornamental design of an edge component for the side panels of a collapsible container, as shown.

DESCRIPTION

FIG. 1 is a perspective view from above and from one end of an edge component showing the new design; FIG. 2 is a crosssectional end elevation of the edge component of FIG. 1; and FIG. 3 is a perspective view from beneath and from the other end of the edge component of FIG. 1.



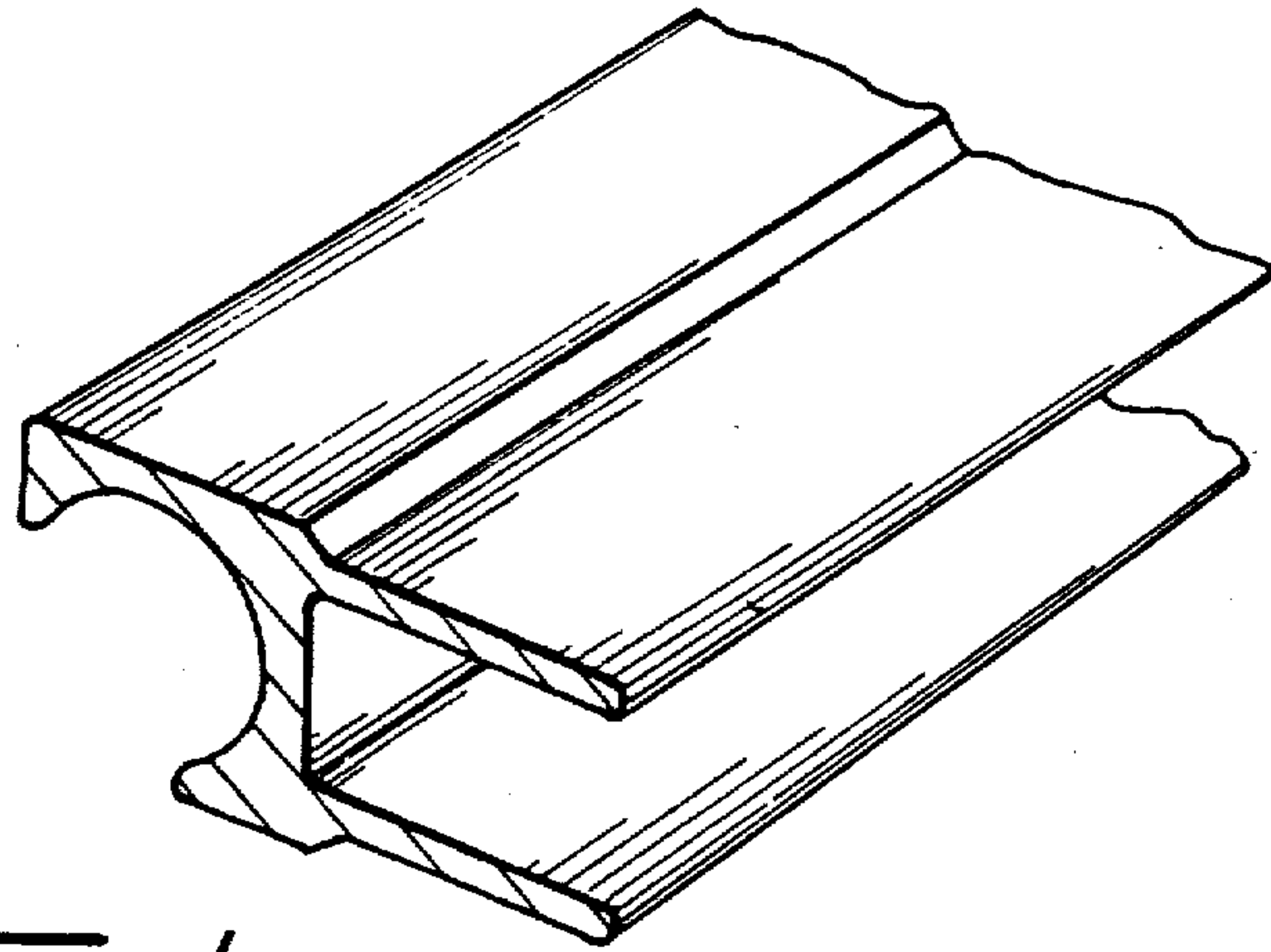


FIG. 1.

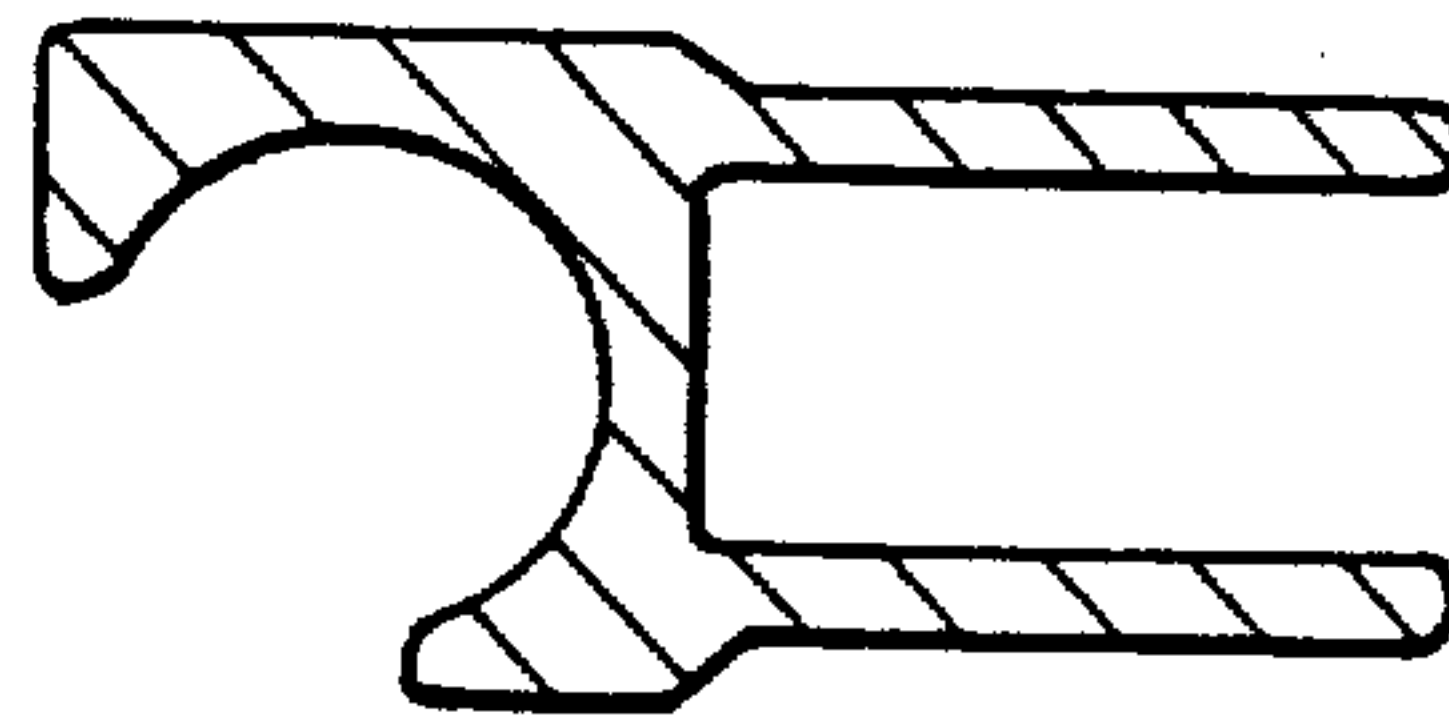


FIG. 2.

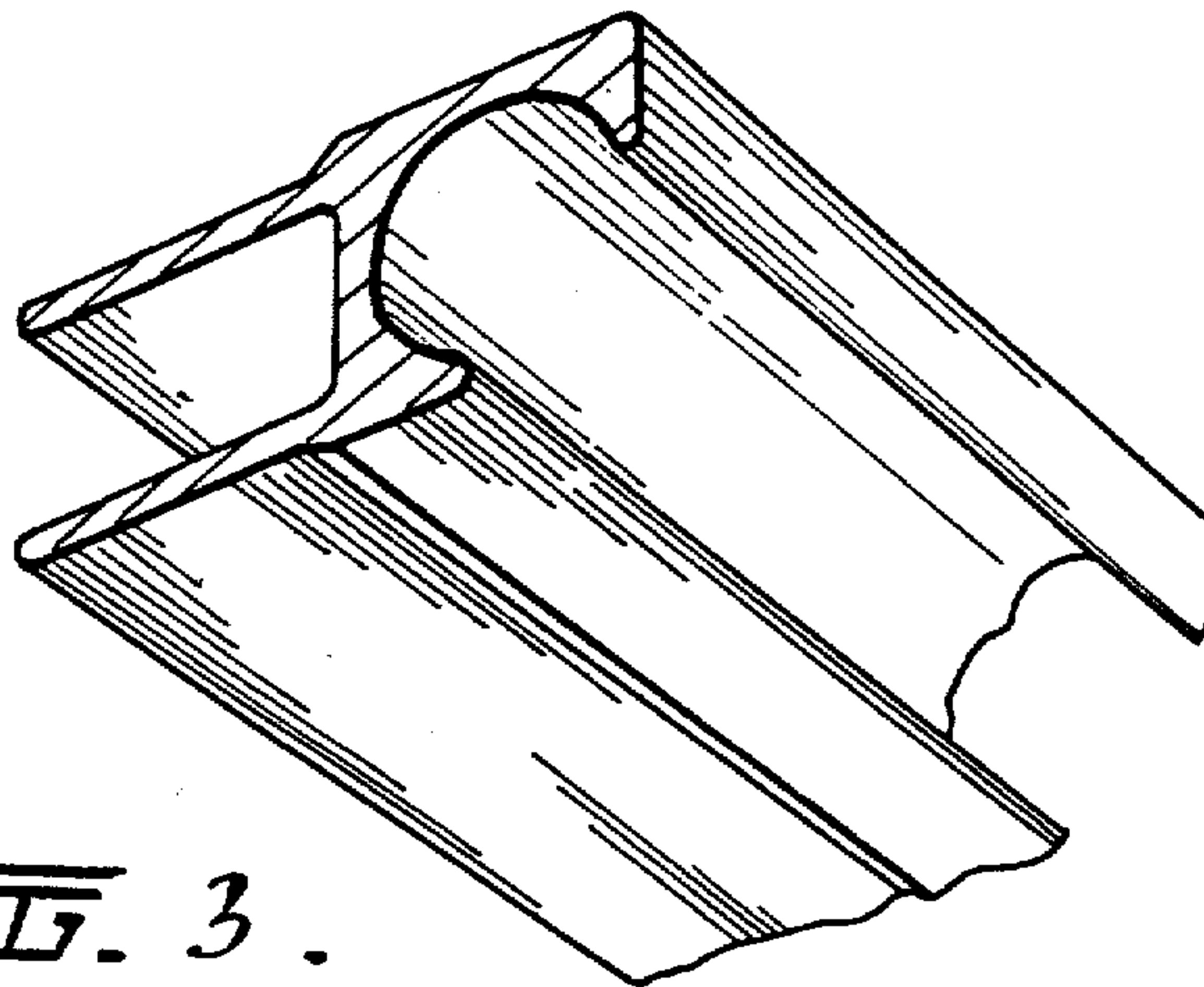


FIG. 3.