

[54] INTERLOCKING COMPONENT FOR INTERCONNECTING THE SIDE PANELS OF A COLLAPSIBLE CONTAINER

[75] Inventor: Vincent J. Smith, West Somerset, Australia

[73] Assignee: TAS Engineering Service Pty. Ltd., West Somerset, Australia

[21] Appl. No.: 242,269

[22] Filed: Mar. 10, 1981

[30] Foreign Application Priority Data

Sep. 11, 1980 [AU] Australia 82010

[51] Int. Cl. D25-01

[52] U.S. Cl. D25/74; D9/434

[58] Field of Search D9/436, 495; 220/4 F, 220/4 D, 1.5, 80; 217/69; D25/70, 73, 74

[56] References Cited

U.S. PATENT DOCUMENTS

2,919,826	1/1960	Richter	220/1.5
3,261,493	7/1966	Smith	220/80 X
3,989,157	11/1976	Veenema	220/80 X
4,212,406	7/1980	Mittelmann	220/4 F X
4,271,975	6/1981	Ketner et al.	220/1.5 X

Primary Examiner—A. Hugo Word
Attorney, Agent, or Firm—Dennison, Meserole, Pollack & Scheiner

[57] CLAIM

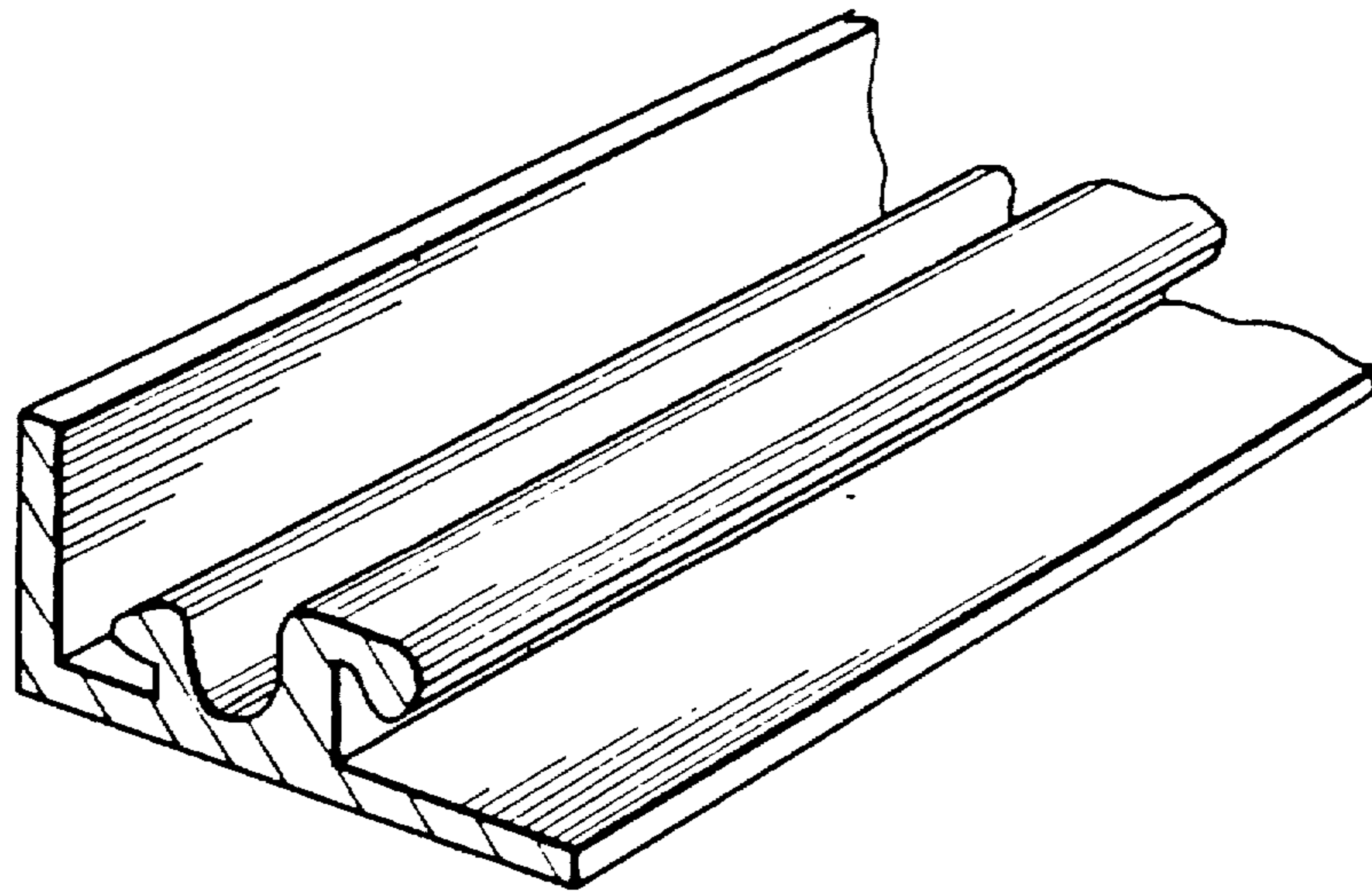
The ornamental design of an interlocking component for interconnecting the side panels of a collapsible container, as shown.

DESCRIPTION

FIG. 1 is a perspective view from above and from one end of an interlocking component showing the new design;

FIG. 2 is a crosssectional end elevation of the edge component of FIG. 1, and

FIG. 3 is a perspective view from beneath and from the other end of the edge component of FIG. 1.



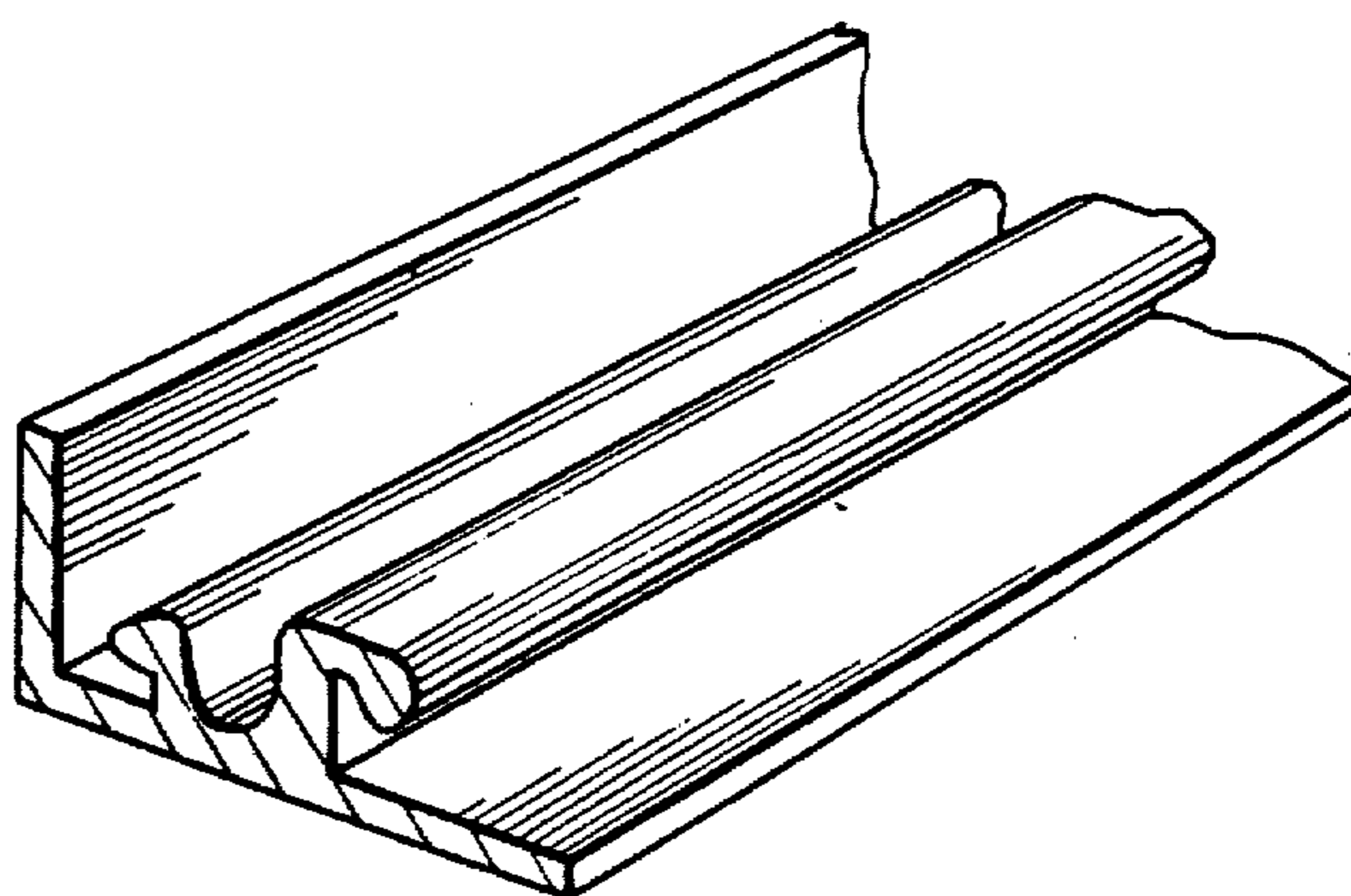


FIG. 1.

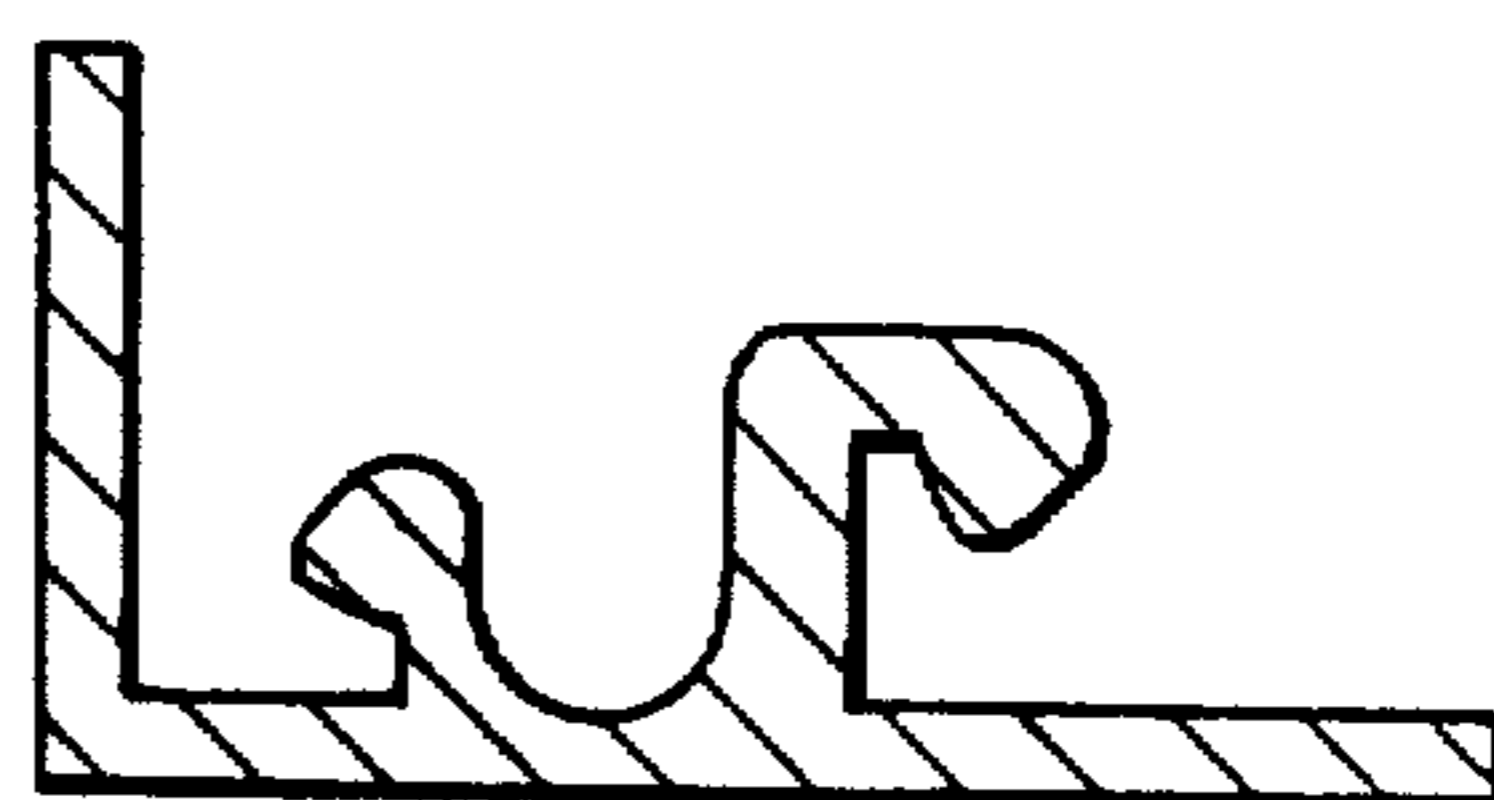


FIG. 2.

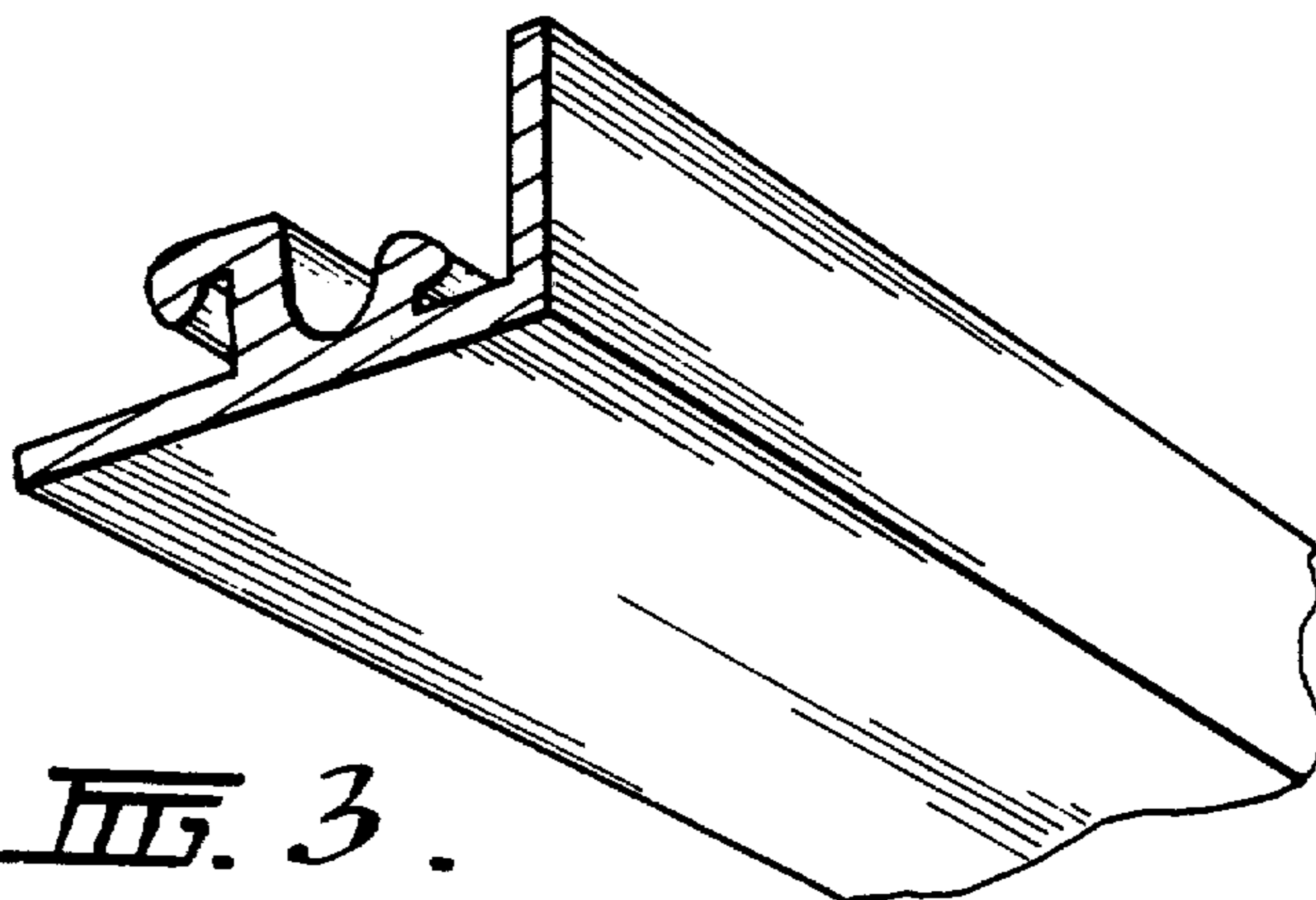


FIG. 3.