

[54] MEDICAL TUBING

[75] Inventors: Harold W. Andersen; Charles H. Harrison, both of Oyster Bay; Melvin H. Worth, Jr., Staten Island, all of N.Y.

[73] Assignee: University Testing Service Inc., Oyster Bay, N.Y.

[21] Appl. No.: 215,899

[22] Filed: Dec. 12, 1980

[51] Int. Cl. .... D24-02

[52] U.S. Cl. .... D24/53

[58] Field of Search ..... D24/52, 53, 56, 99, D24/54; 128/21 RR, 348, 349 R, 349 BV, 350 R, 350 V

[56] References Cited

U.S. PATENT DOCUMENTS

D. 223,247	4/1972	Brodsky et al. ....	D24/54
3,112,748	12/1963	Colburn .....	128/350 R
3,114,373	12/1963	Andersen .....	128/350 R
3,517,669	6/1970	Buono et al. ....	D24/53 X

3,911,919 10/1975 Raitto ..... 128/350 V X

Primary Examiner—Susan J. Lucas  
Attorney, Agent, or Firm—Jordan and Hamburg

[57] CLAIM

The ornamental design for medical tubing, as shown.

DESCRIPTION

FIG. 1 is a fragmentary side view of the medical tubing showing our new design, the flexible tubing being bent in a U-shaped position being fragmentarily shown for convenience of illustration;

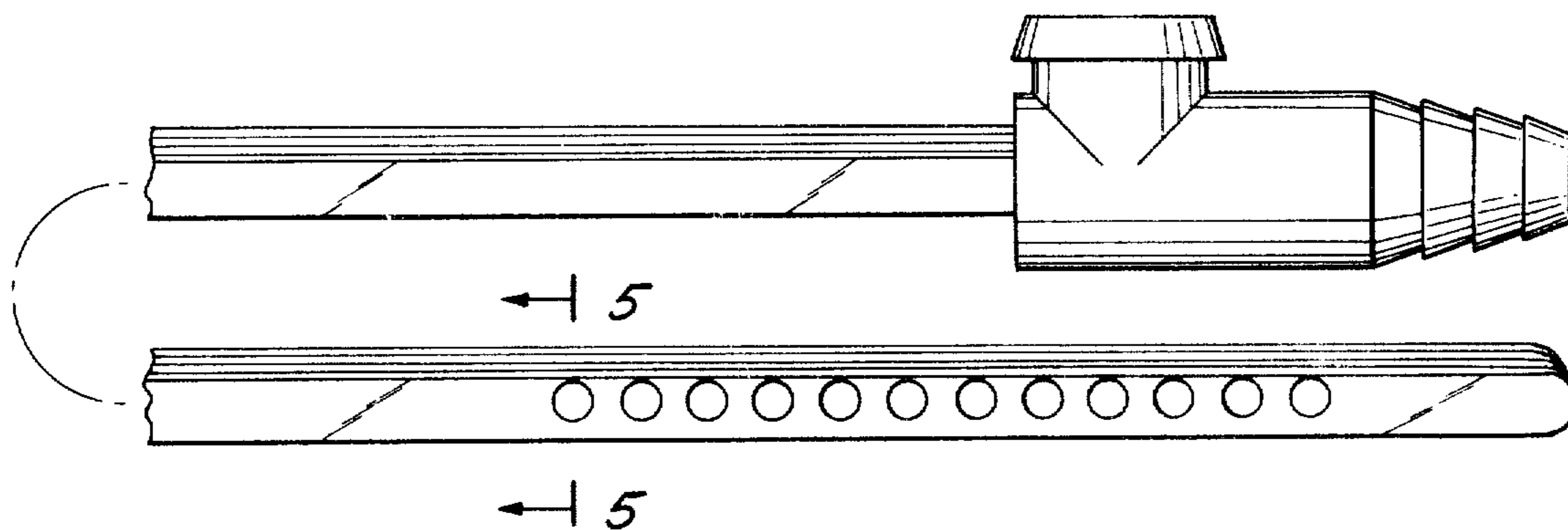
FIG. 2 is a fragmentary top view thereof, the tubing being fragmentarily shown for convenience of illustration;

FIG. 3 is a fragmentary bottom view thereof, the tubing being fragmentarily shown for convenience of illustration;

FIG. 4 is a right hand view thereof;

FIG. 5 is an enlarged cross-sectional view thereof, taken on line 5—5 in FIG. 1.

In FIG. 1, the omitted intermediate portion has a constant transverse cross-sectional configuration which is the same as FIG. 5 except that there are no transverse openings as in FIG. 5.



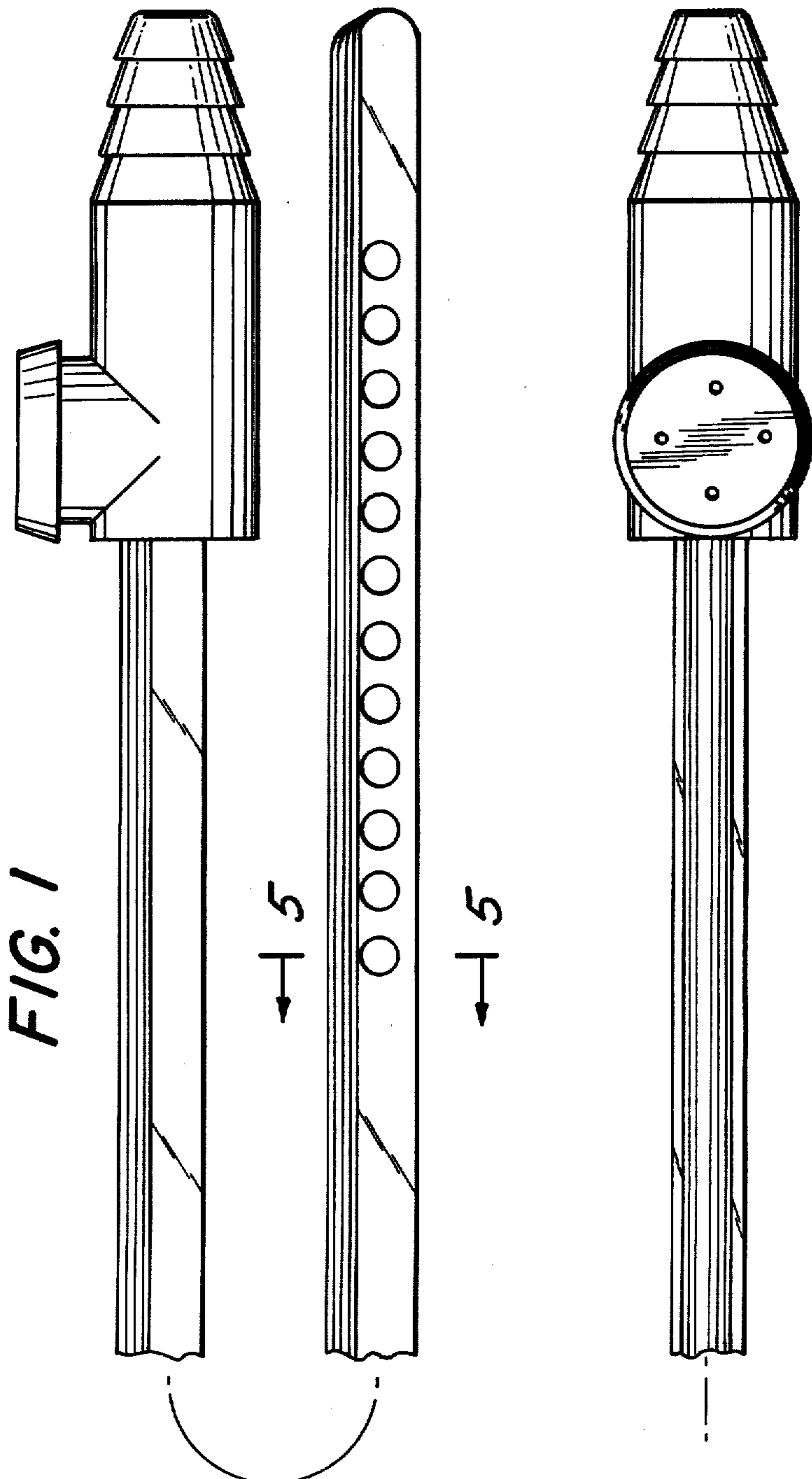
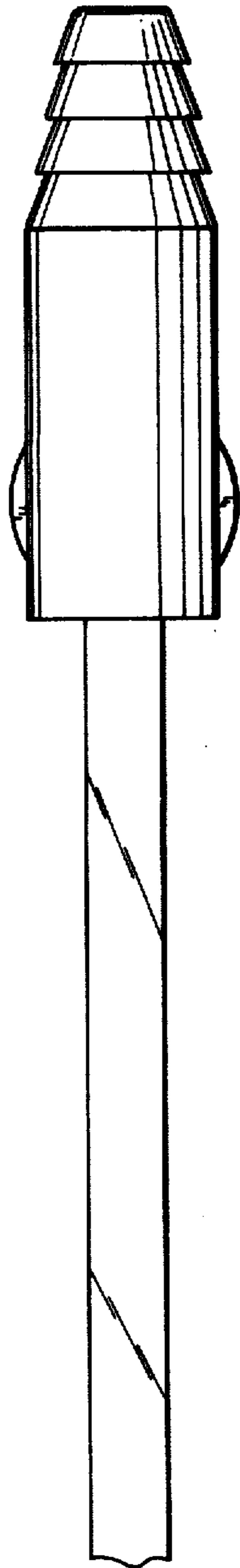
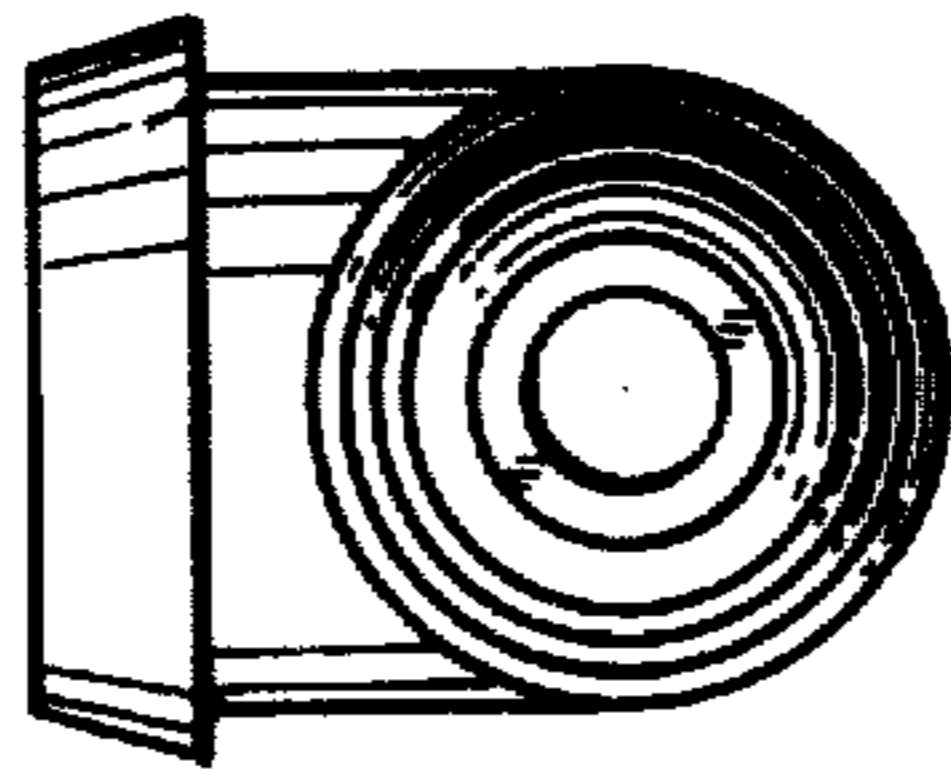


FIG. 1

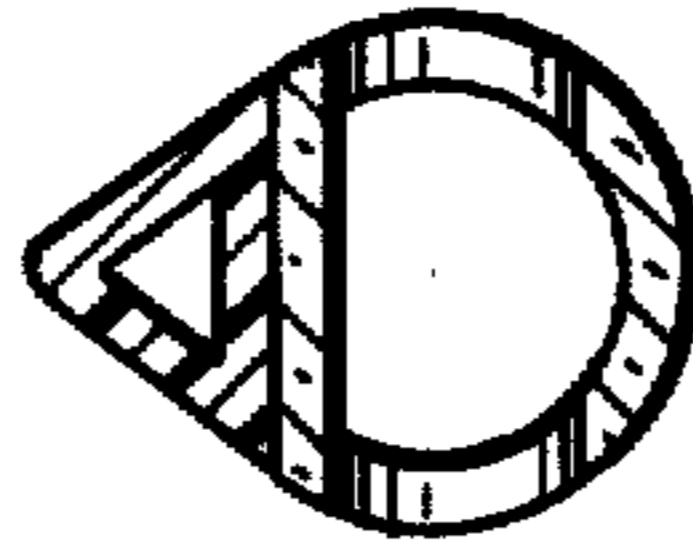
FIG. 2



*FIG. 3*



*FIG. 4*



*FIG. 5*