

[54] ELECTROCARDIOGRAPH

[75] Inventor: Walter W. Wiebe, Brewster, N.Y.

[73] Assignee: International Business Machines Corporation, Armonk, N.Y.

[21] Appl. No.: 268,877

[22] Filed: Jun. 1, 1981

[51] Int. Cl. D24-01; D24-02

[52] U.S. Cl. D24/17; D24/1.1

[58] Field of Search 128/695, 696; D24/1.1, D24/17, 99

[56] References Cited

U.S. PATENT DOCUMENTS

- D. 216,535 2/1970 Chuboff D24/17
- D. 230,211 1/1974 Fuller D24/1.1
- D. 260,173 8/1981 Wiebe D24/17

- D. 262,401 12/1981 Hawes et al. D24/17
- 3,221,731 12/1965 Annis et al. D24/1.1 X

Primary Examiner—Bernard Ansher
Attorney, Agent, or Firm—Thomas J. Kilgannon

[57] CLAIM

The ornamental design for an electrocardiograph, as shown and described.

DESCRIPTION

FIG. 1 is a perspective view showing the front, top and right side of an electrocardiograph incorporating my new design;

FIG. 2 is an enlarged top plan view thereof;

FIG. 3 is a reduced front elevational view thereof;

FIG. 4 is a reduced rear elevational view thereof;

FIG. 5 is a reduced right side elevational view thereof;

FIG. 6 is a reduced left side elevational view thereof;

and

FIG. 7 is a reduced bottom plan view thereof.

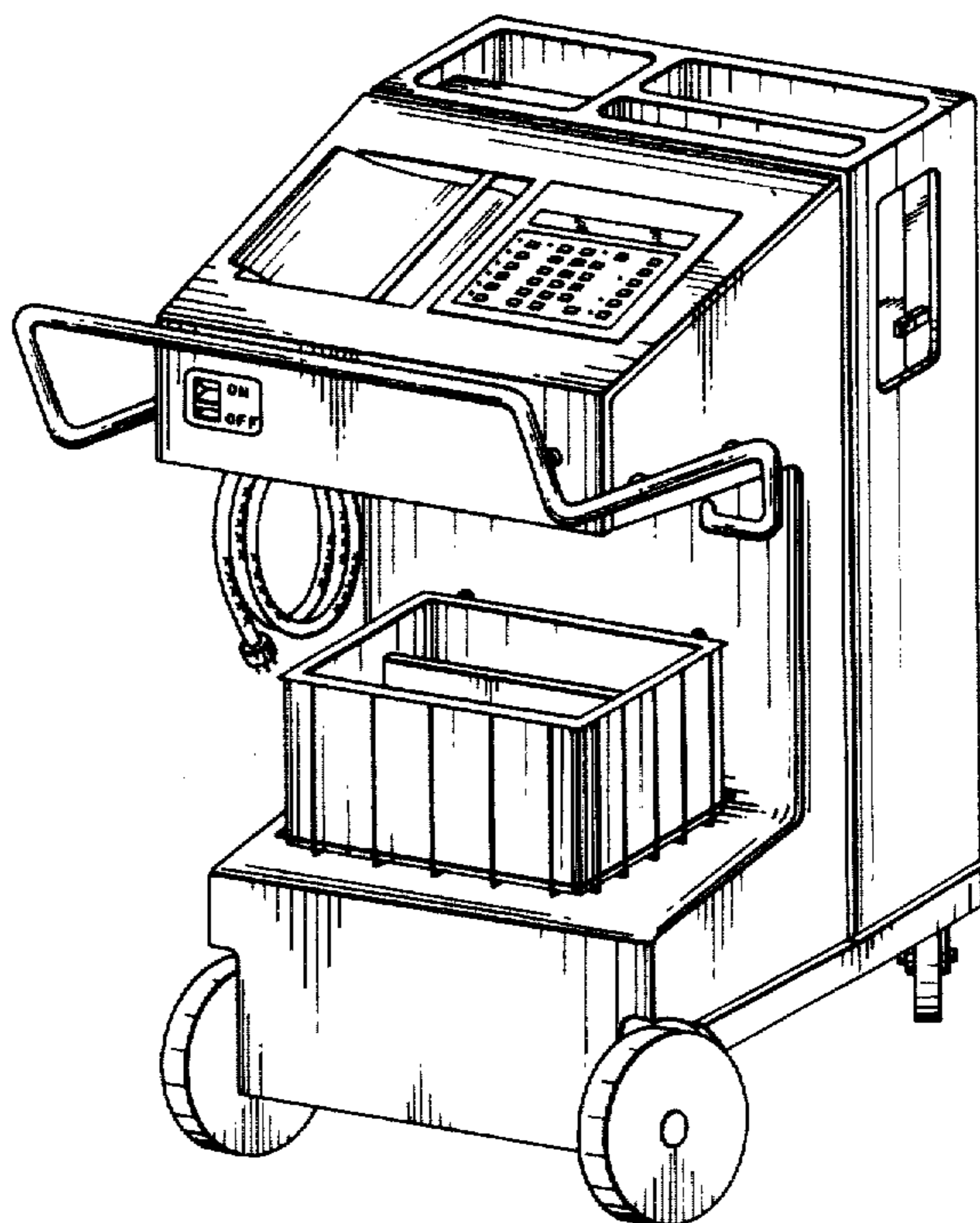


FIG. 1

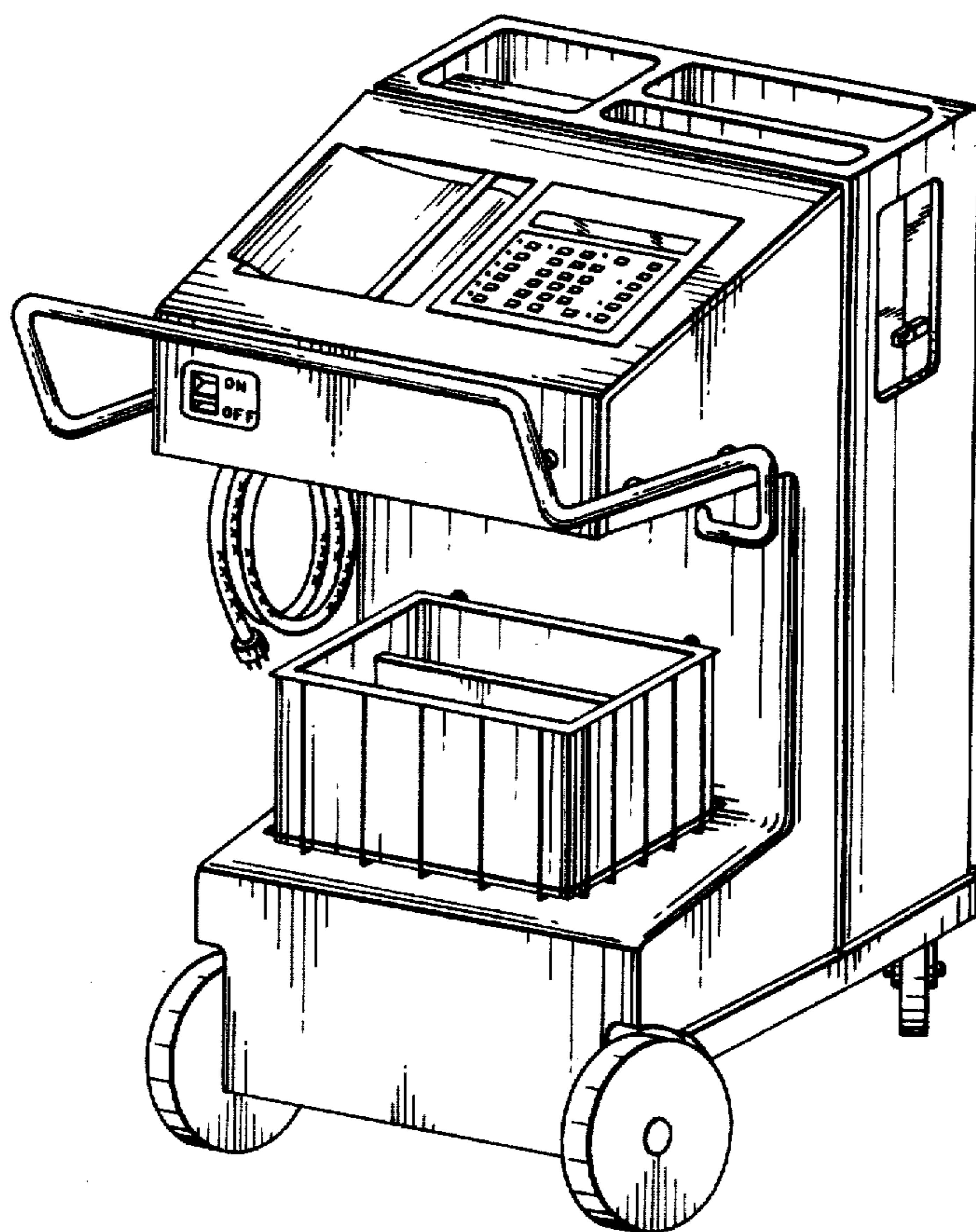


FIG. 2

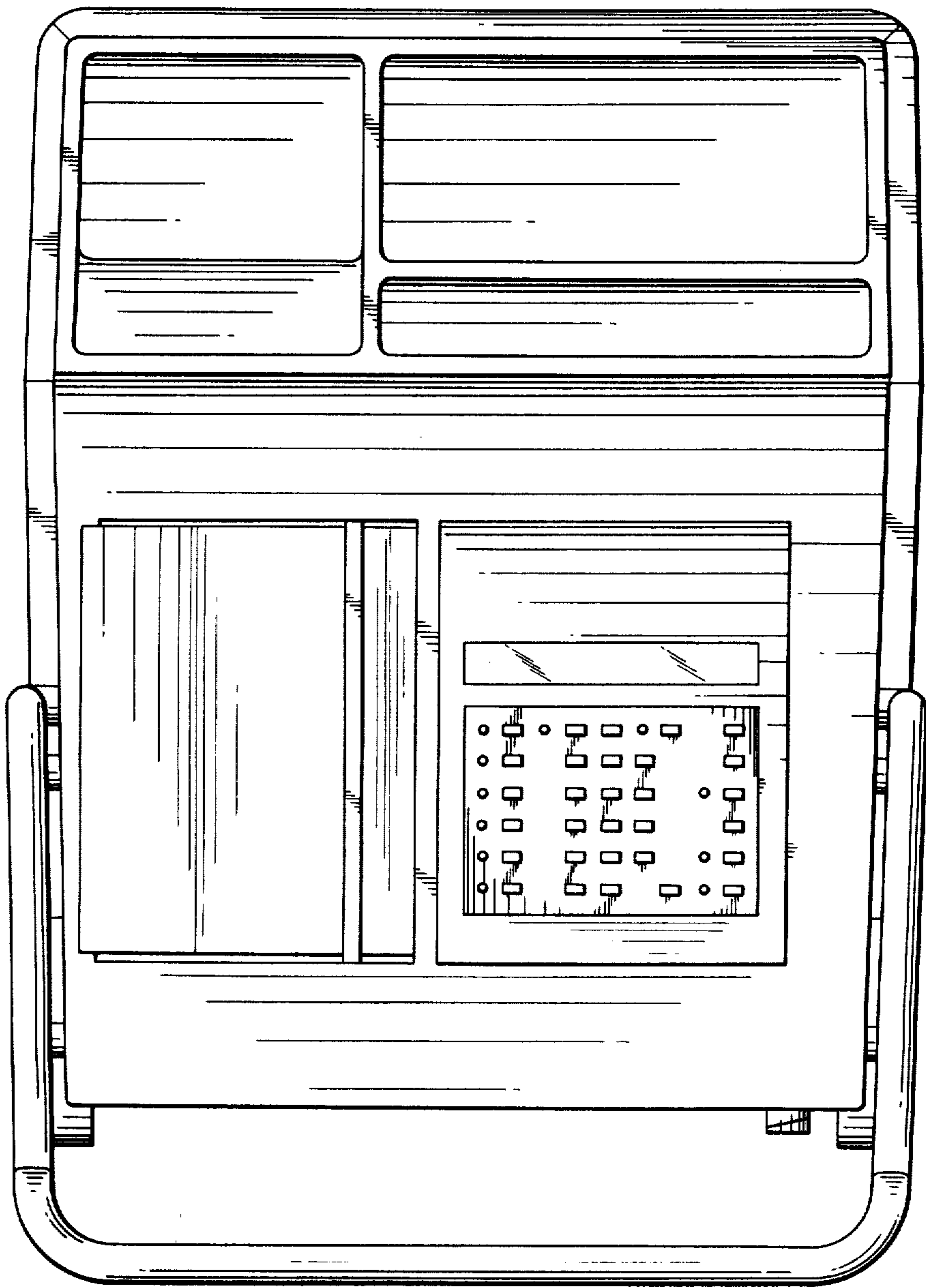


FIG. 3

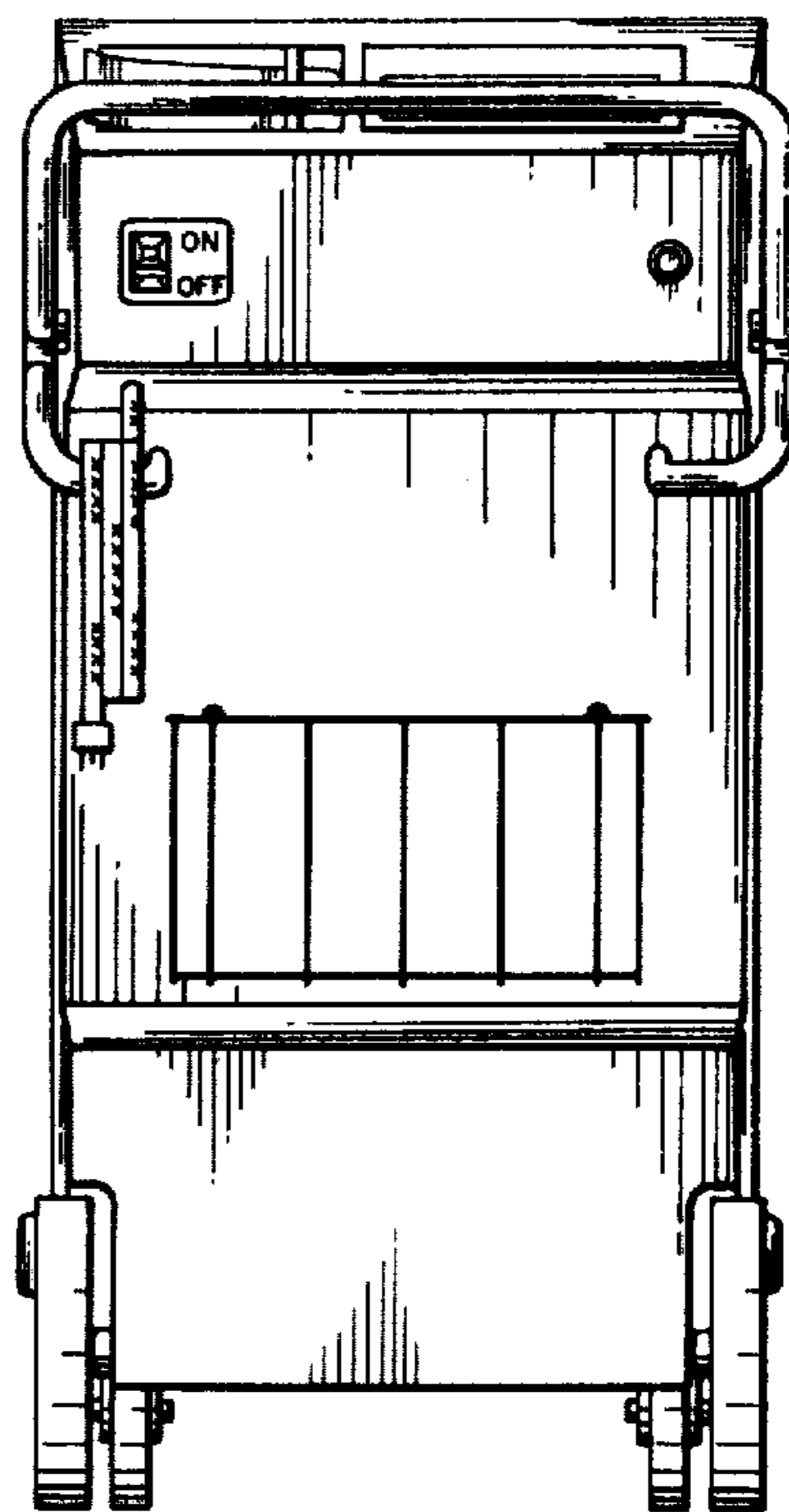


FIG. 4

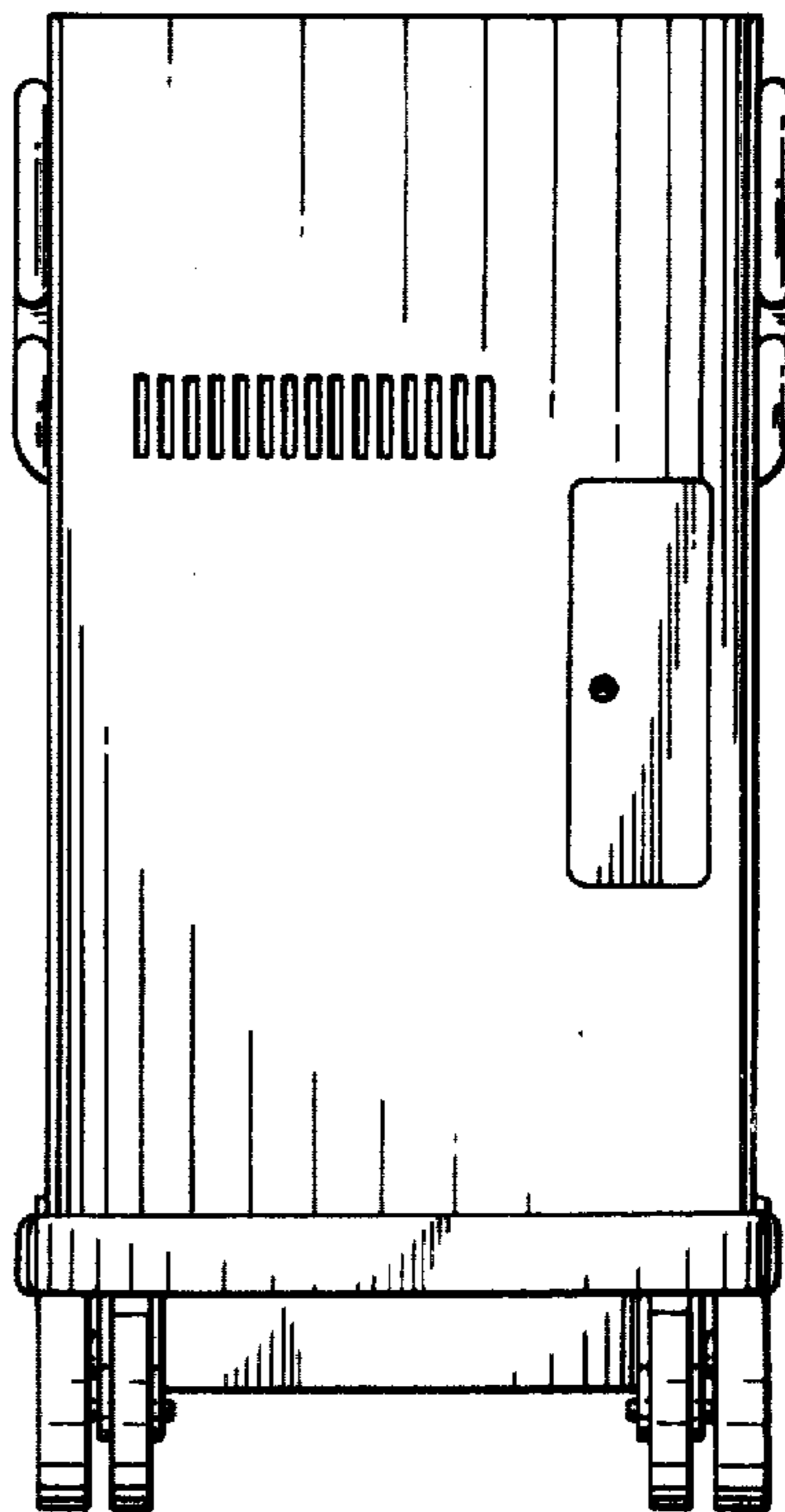


FIG. 6

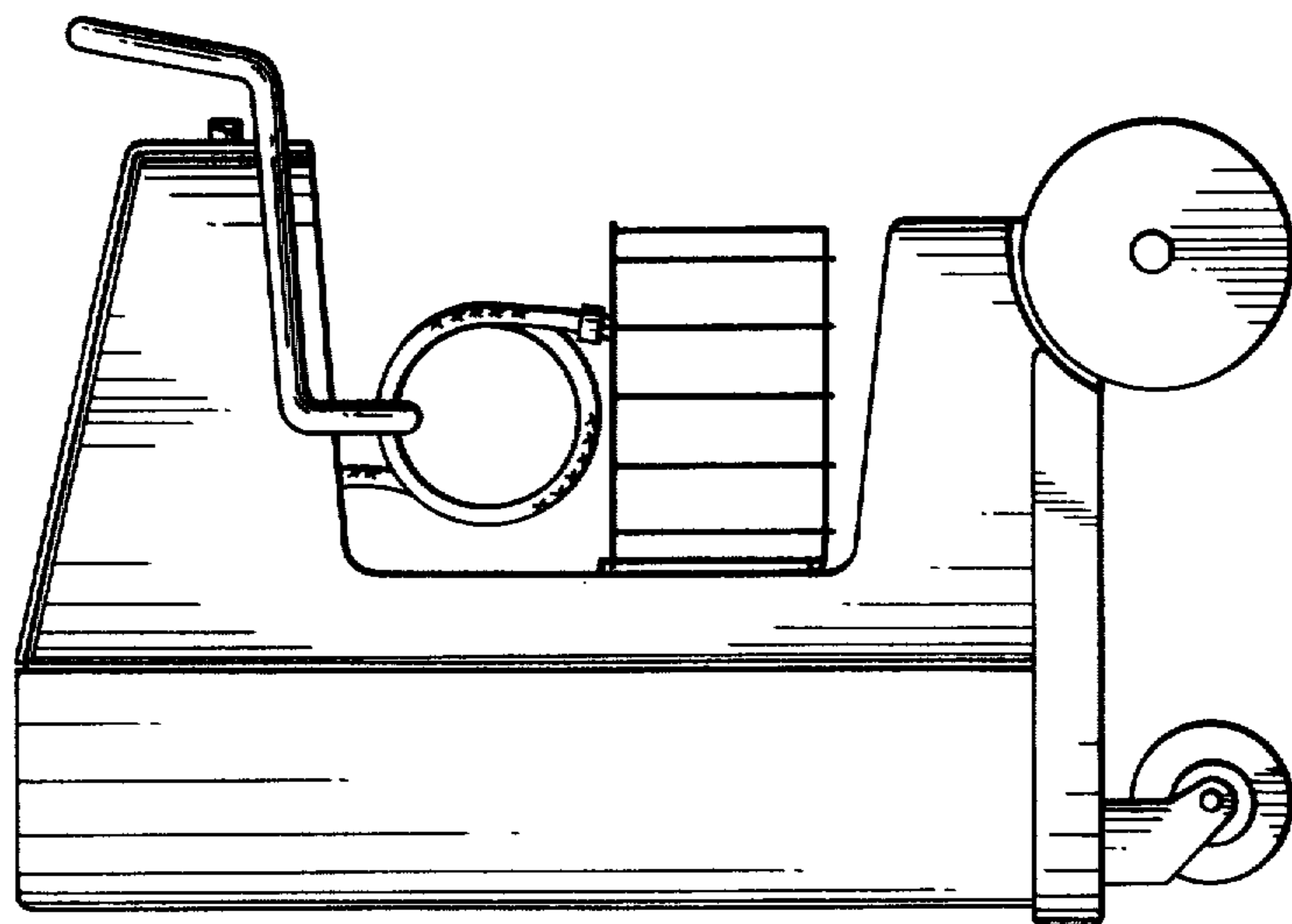


FIG. 5

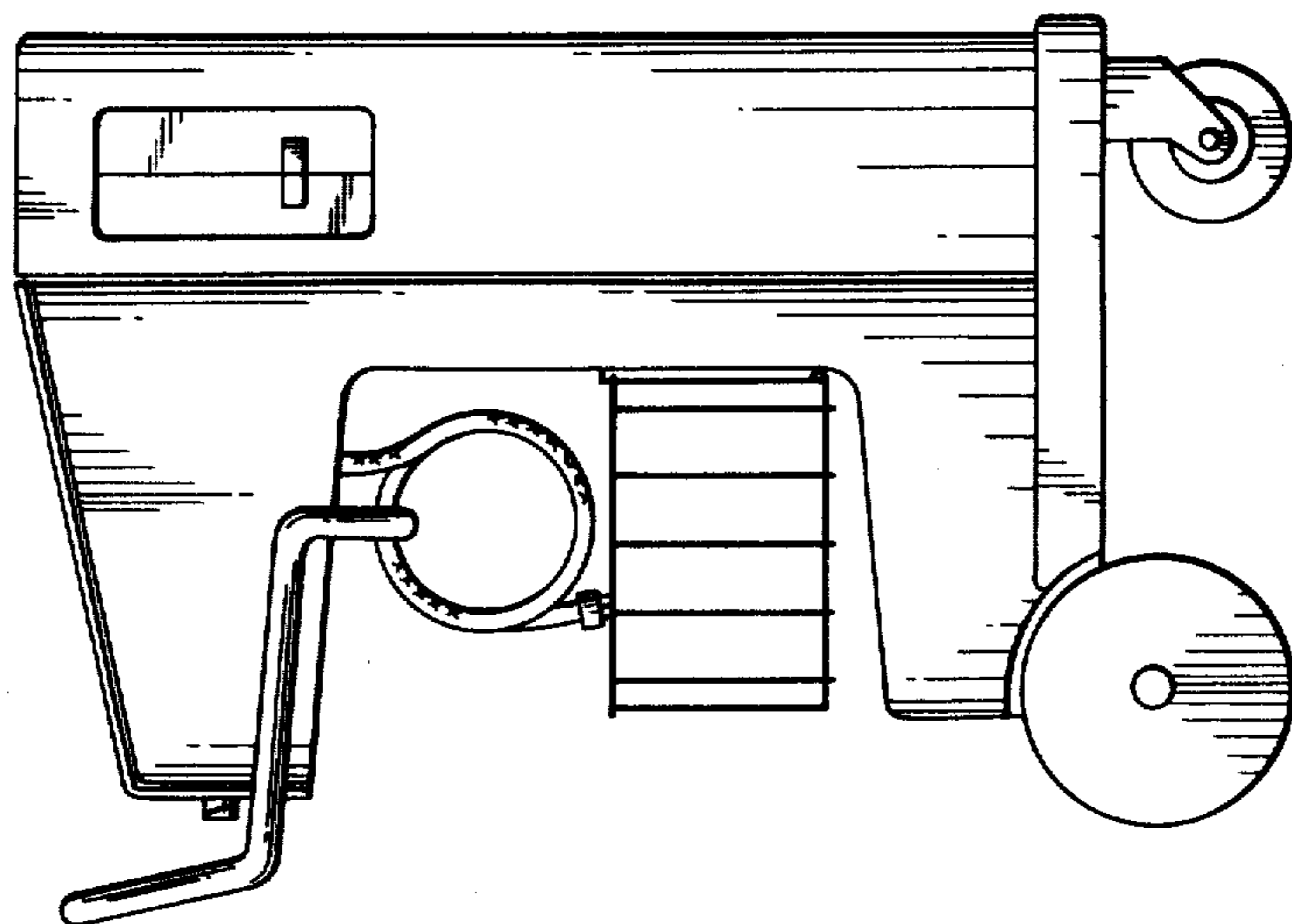


FIG. 7

