

[54] VENTILATOR

2,469,096 5/1949 Wilson 98/75

[75] Inventors: Derek V. Stern; Noel W. Fleury, both of London, England

FOREIGN PATENT DOCUMENTS

[73] Assignee: Flettner Ventilator Limited, London, England

90671 9/1937 Sweden 98/20

[21] Appl. No.: 227,985

Primary Examiner—James R. Largen
Attorney, Agent, or Firm—Birch, Stewart, Kolasch & Birch

[22] Filed: Jan. 23, 1981

[57] CLAIM

[30] Foreign Application Priority Data

The ornamental design for a ventilator, as shown and described.

Jul. 25, 1980 [GB] United Kingdom 80995883

DESCRIPTION

[51] Int. Cl. D23-04

FIG. 1 is a perspective view of the ventilator embodying our design;

[52] U.S. Cl. D23/153; 98/75

FIG. 2 is a top plan view thereof;

[58] Field of Search D23/139-154; 98/2.14, 19, 21, 42 R, 43 C, 43 R, 69, 72, 75

FIG. 3 is an elevational view taken from one side thereof, the opposite side being a mirror image of the side shown;

[56] References Cited

U.S. PATENT DOCUMENTS

D. 204,518 4/1966 Jenn D23/153

D. 217,721 6/1970 Guerney D23/153

1,416,295 5/1922 Hirschman 98/75

FIG. 4 is an elevational view taken from one end thereof, the opposite end being a mirror image of the end shown; and

FIG. 5 is a bottom plan view thereof.

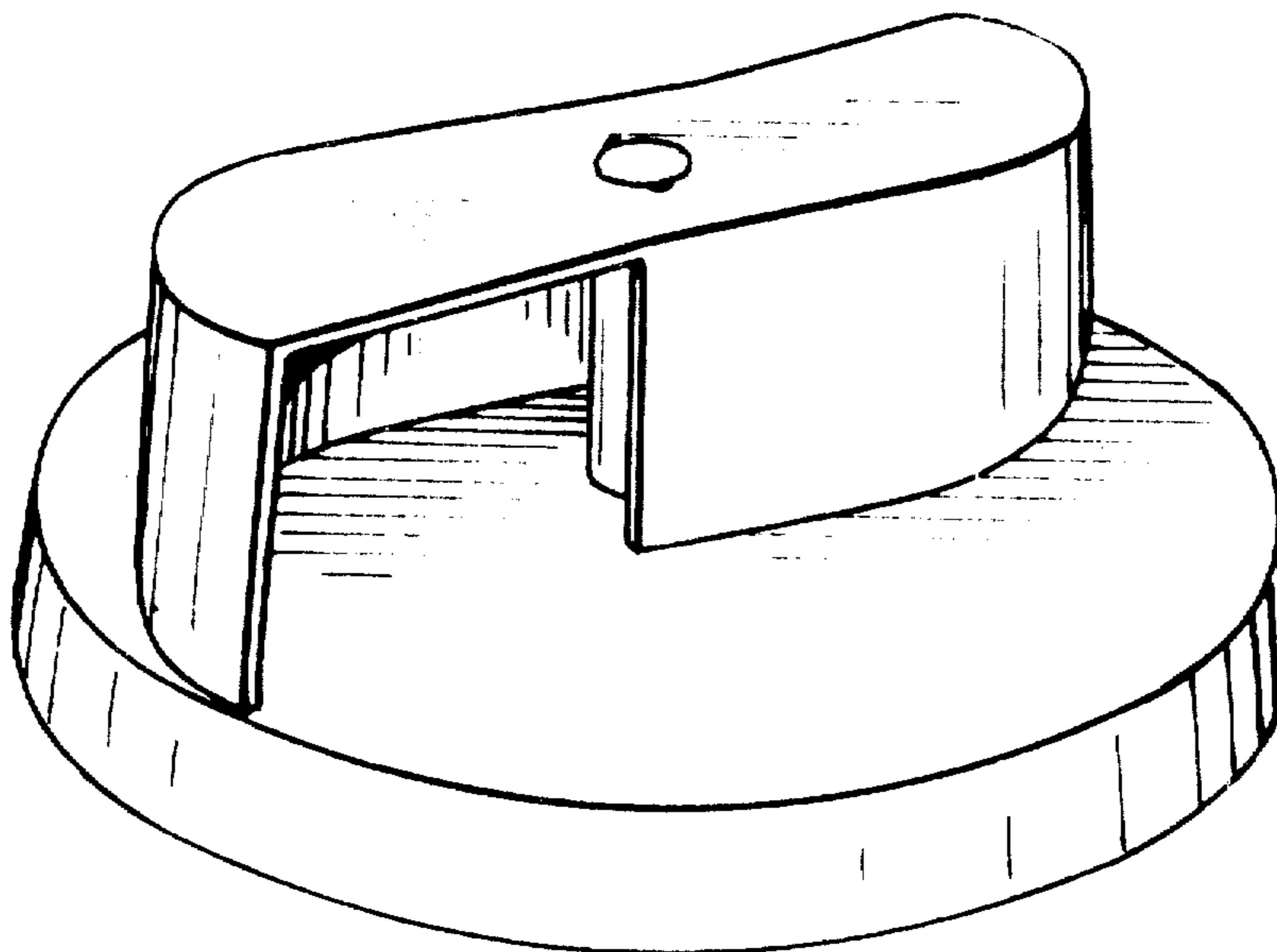


FIG. 1

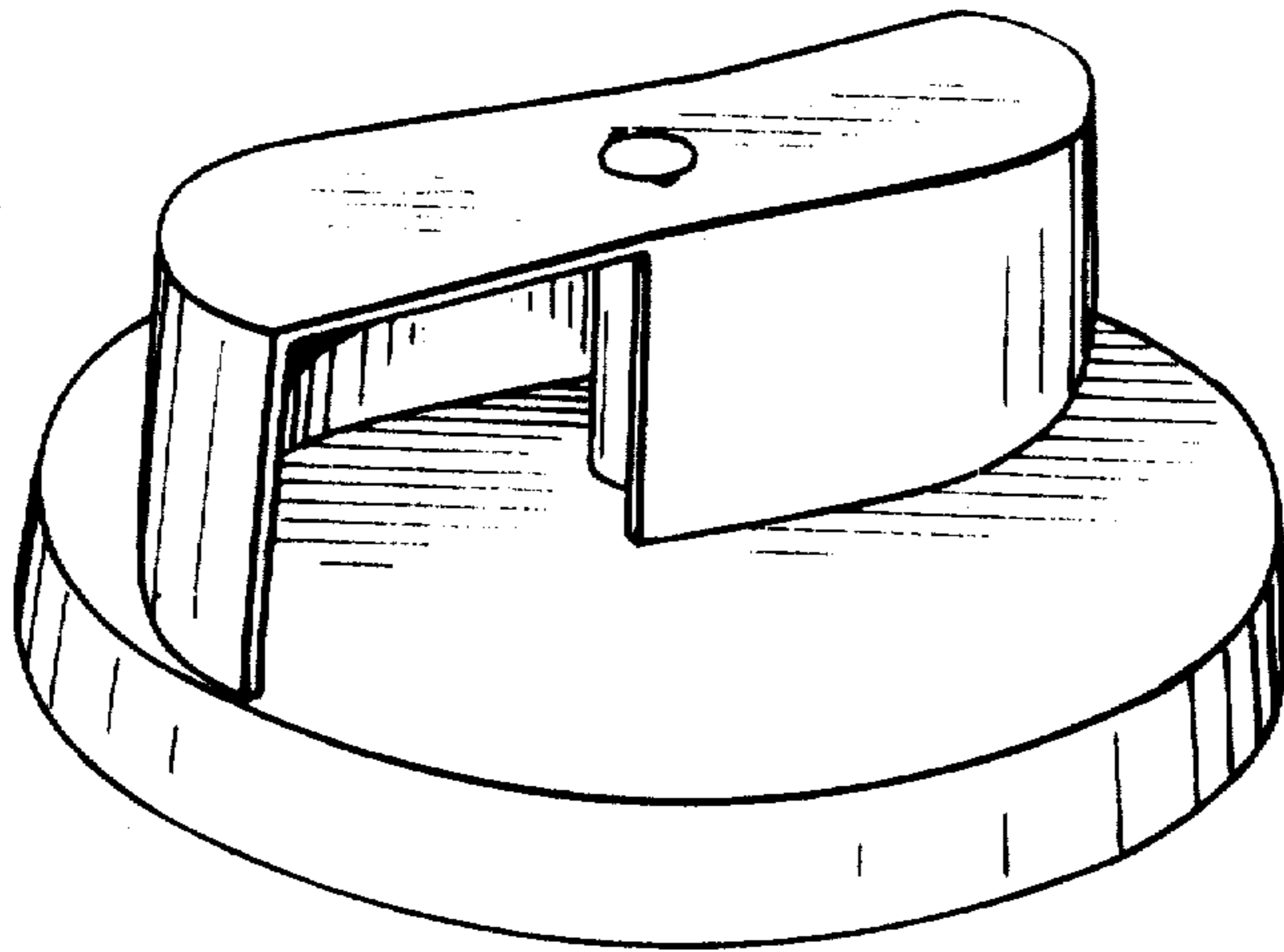


FIG. 2

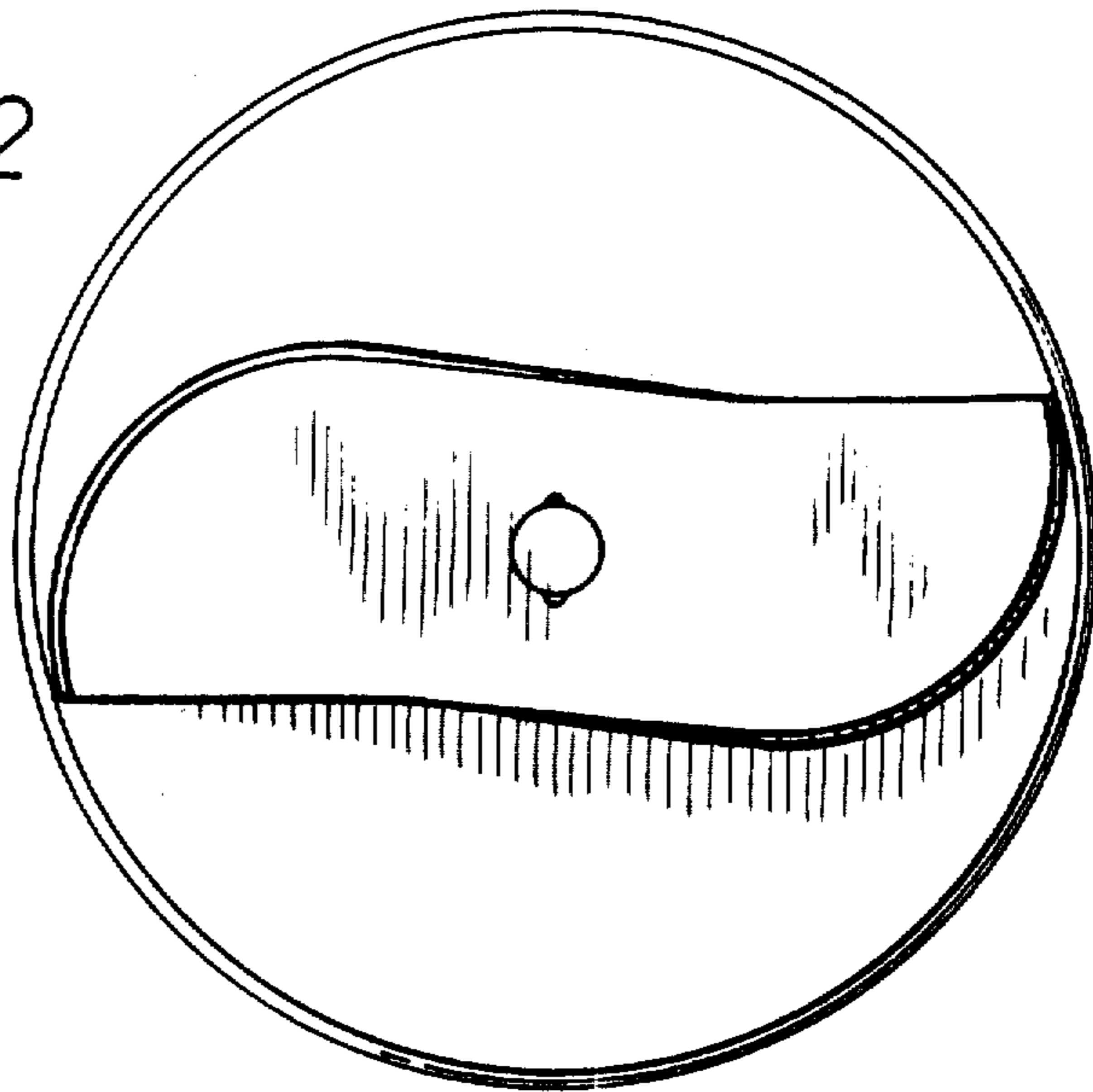


FIG. 3

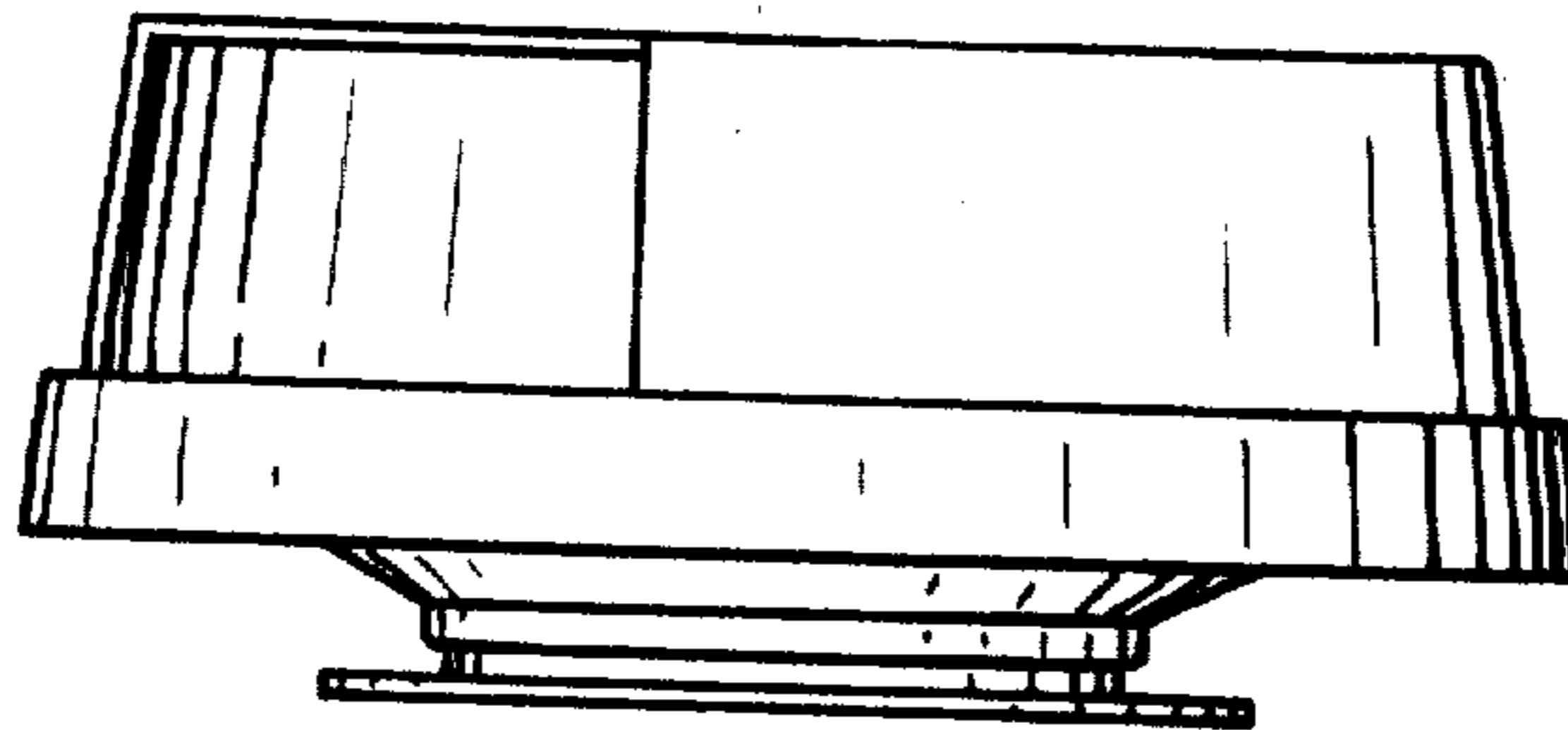


FIG. 4

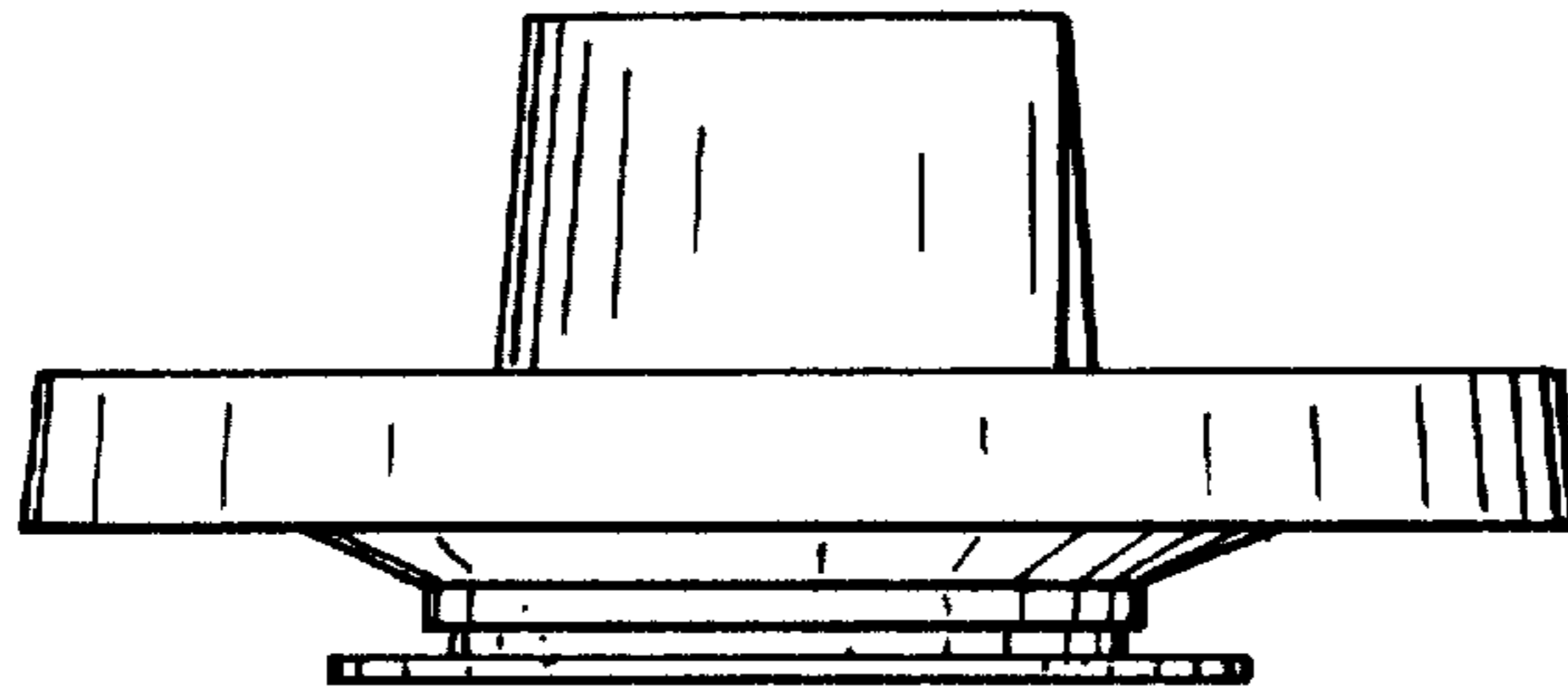
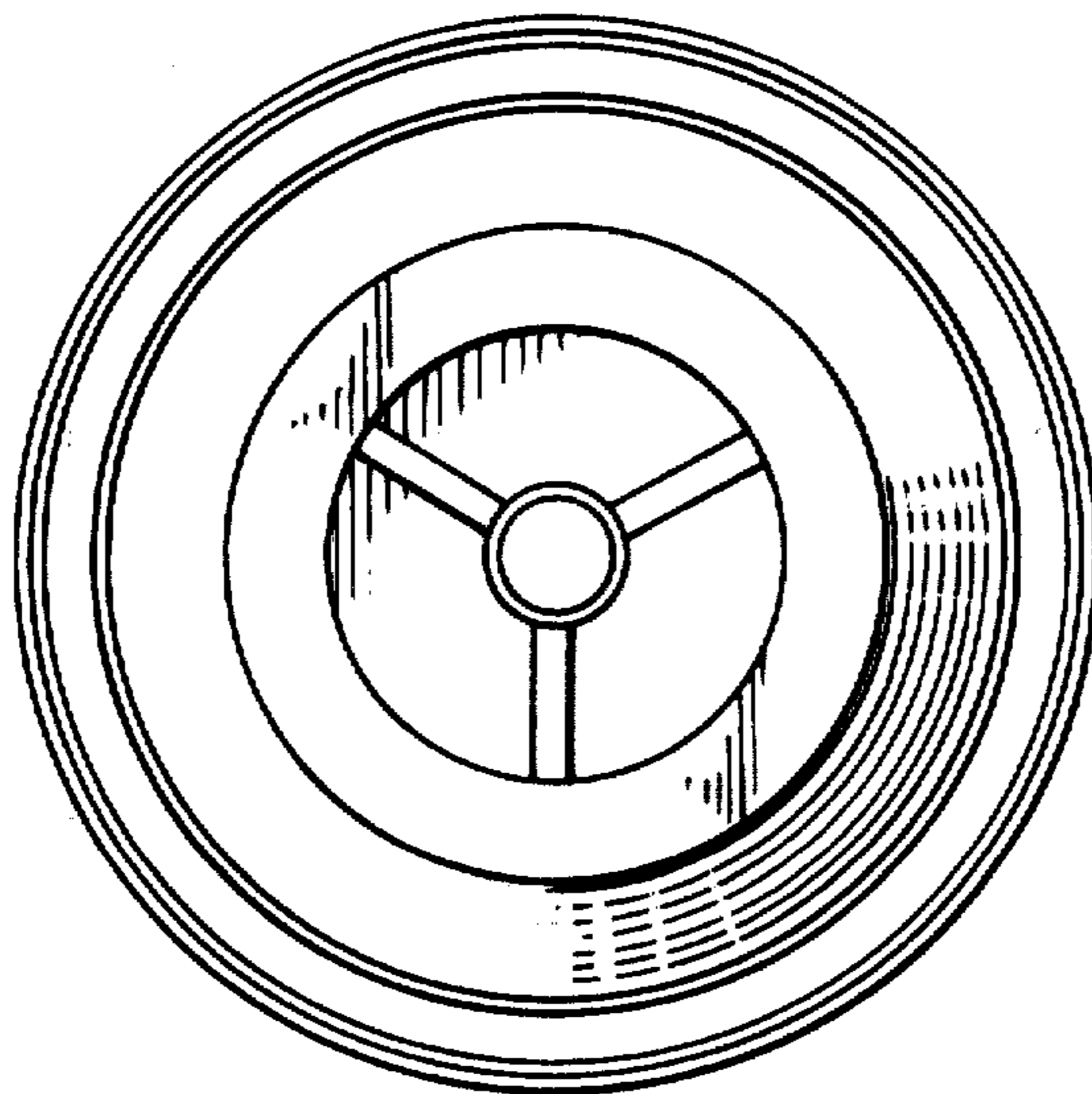


FIG. 5



UNITED STATES PATENT AND TRADEMARK OFFICE
CERTIFICATE OF CORRECTION

PATENT NO. : Des. 270,276
DATED : August 23, 1983
INVENTOR(S) : Stern et al

It is certified that error appears in the above-identified patent and that said Letters Patent is hereby corrected as shown below:

In the Heading of the Patent, in the category
"Foreign Application Priority Data," change "80995883"
to --995883--.

Signed and Sealed this

Eighth Day of May 1984

[SEAL]

Attest:

Attesting Officer

GERALD J. MOSSINGHOFF

Commissioner of Patents and Trademarks