

[54] **ROTARY SPRINKLER**
 [75] Inventors: **David M. Rau, III; Neil W. Sullivan,**
 both of Lincoln, Nebr.
 [73] Assignee: **Capabilities Unlimited, Inc.,** Lincoln,
 Nebr.
 [21] Appl. No.: **203,267**
 [22] Filed: **Nov. 3, 1980**
 [51] Int. Cl. **D23-01**
 [52] U.S. Cl. **D23/7**
 [58] Field of Search **D23/6-10;**
 210/230-233, 264, 273, 280

2,999,645 9/1961 Kennedy 239/231 X
 3,026,044 3/1962 Kennedy .
 3,043,522 7/1962 Ryerson 239/230
 3,375,979 4/1968 Busker et al. 239/230
 3,726,479 4/1973 Leissner et al. 239/233
 3,977,610 8/1976 Royer 239/233 X

Primary Examiner—James R. Largen
Attorney, Agent, or Firm—Kokjer, Kircher, Bradley,
 Wharton, Bowman & Johnson

[57] **CLAIM**

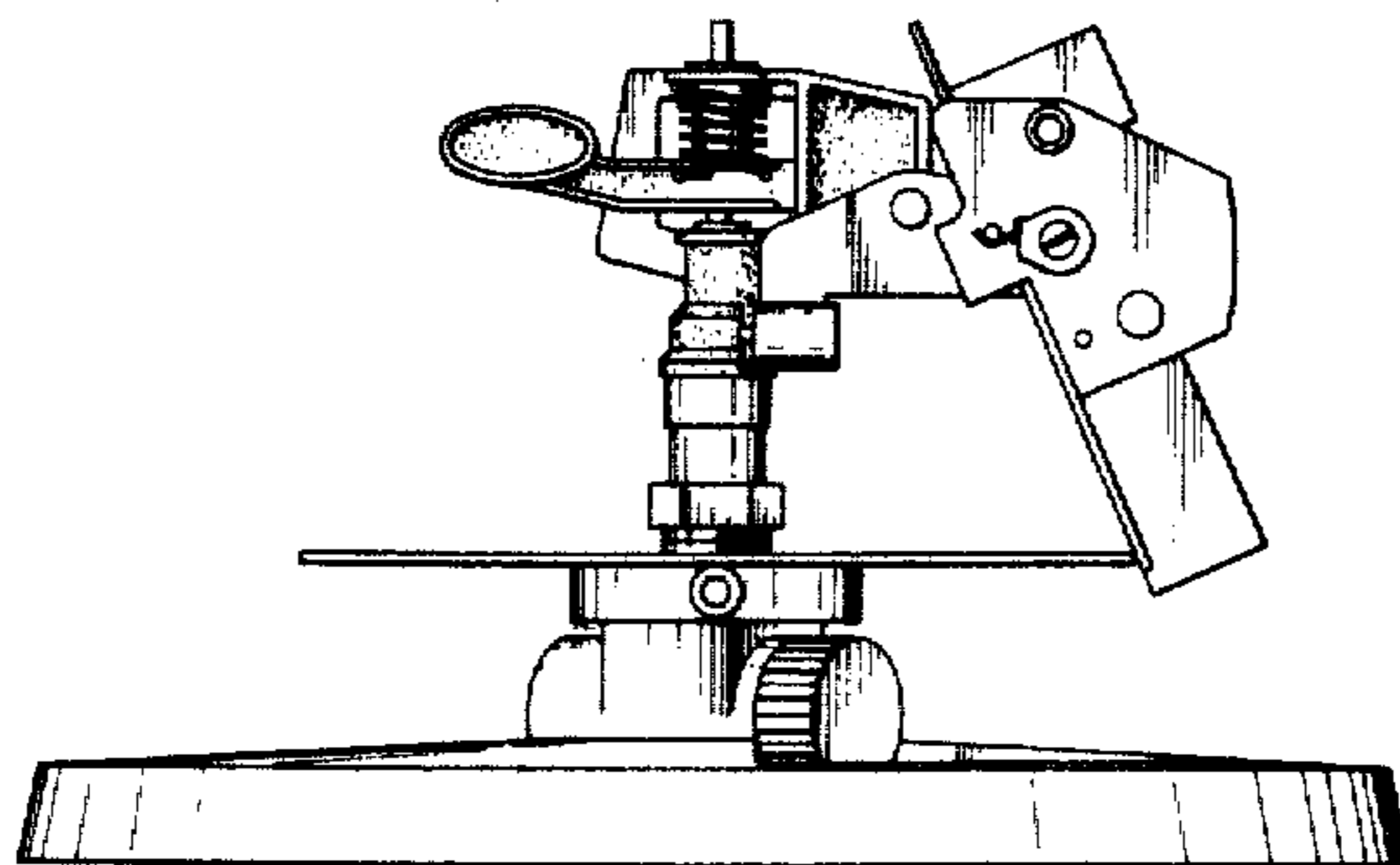
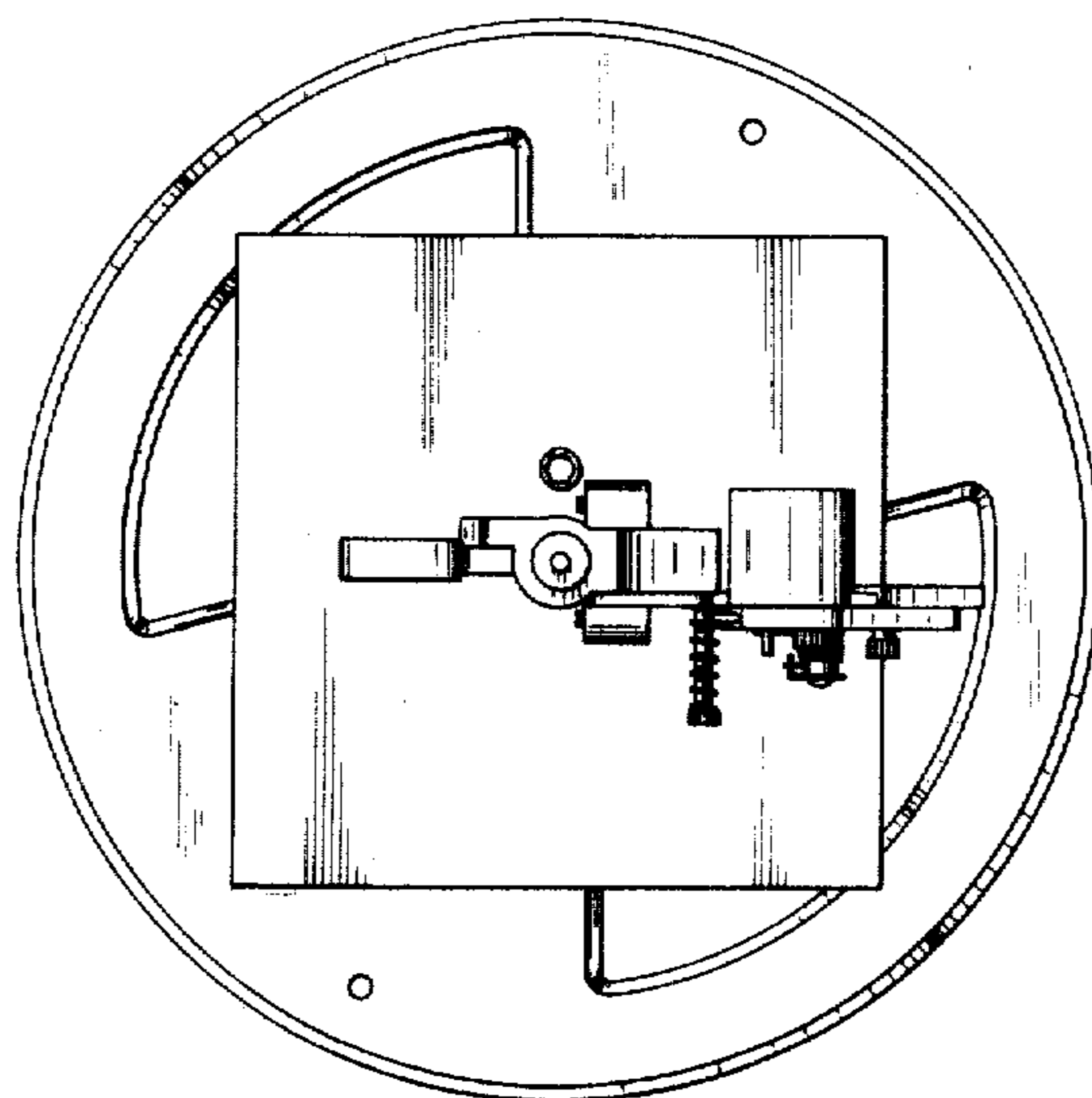
The ornamental design for a rotary sprinkler, as shown and described.

DESCRIPTION

FIG. 1 is a top plan view of a rotary sprinkler showing our new design;
FIG. 2 is a left side elevational view thereof;
FIG. 3 is a right side elevational view thereof;
FIG. 4 is a rear elevational view thereof; and
FIG. 5 is a front elevational view thereof.

[56] **References Cited**
U.S. PATENT DOCUMENTS

D. 161,806 1/1951 Wehner D23/8
 D. 255,825 7/1980 Hardy D23/7
 2,654,635 10/1953 Lazzarini .



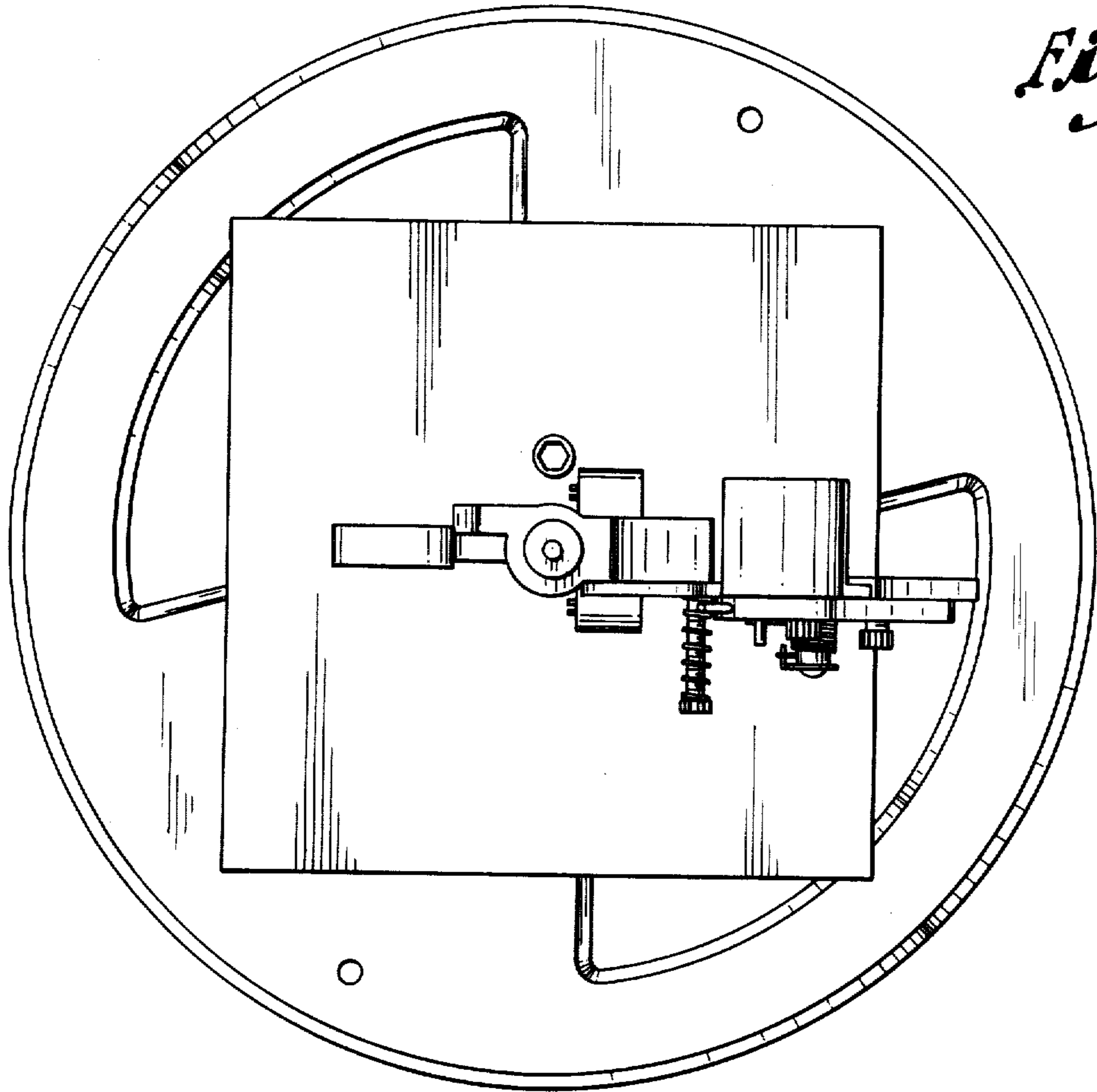


Fig. 1.

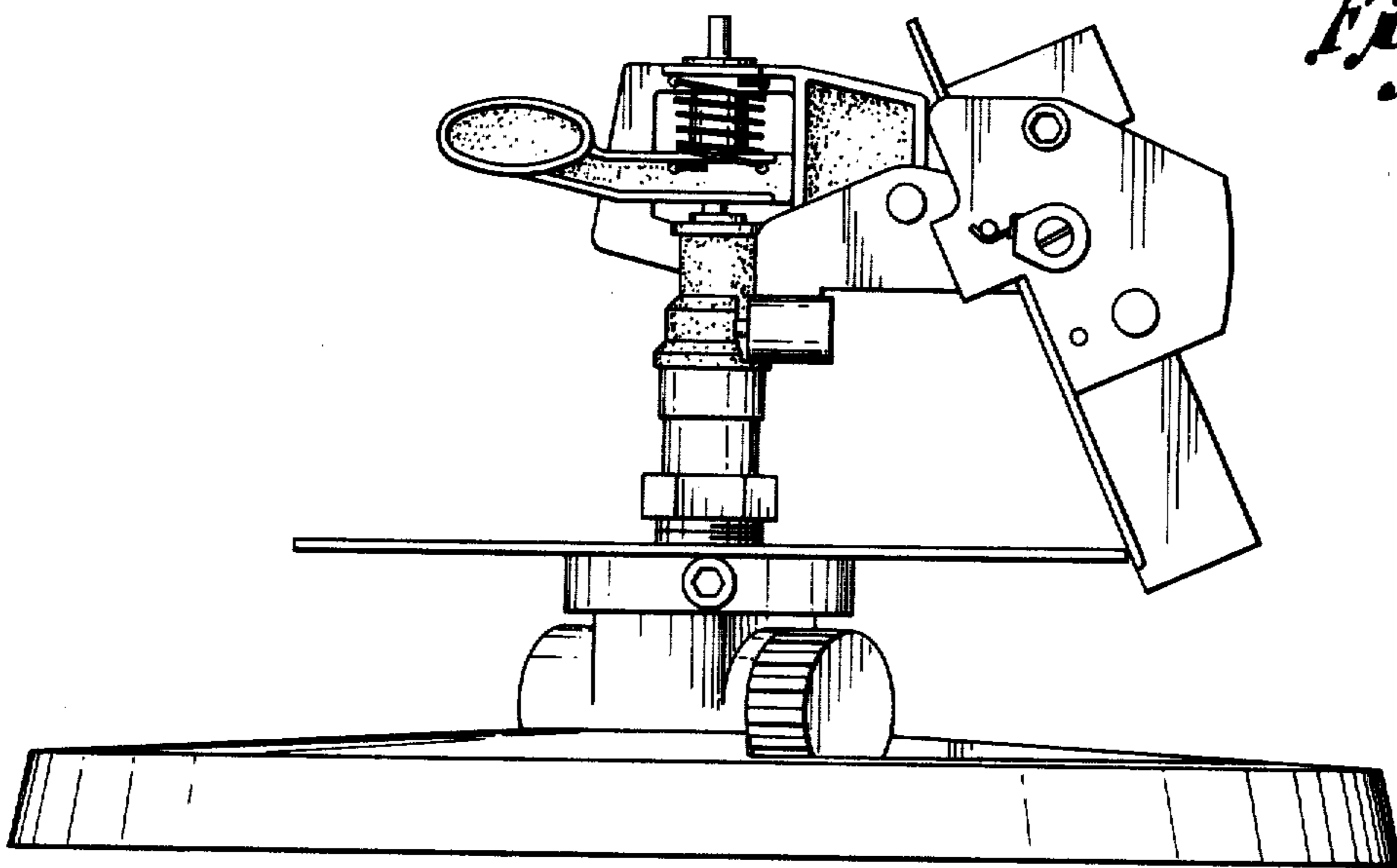


Fig. 2.

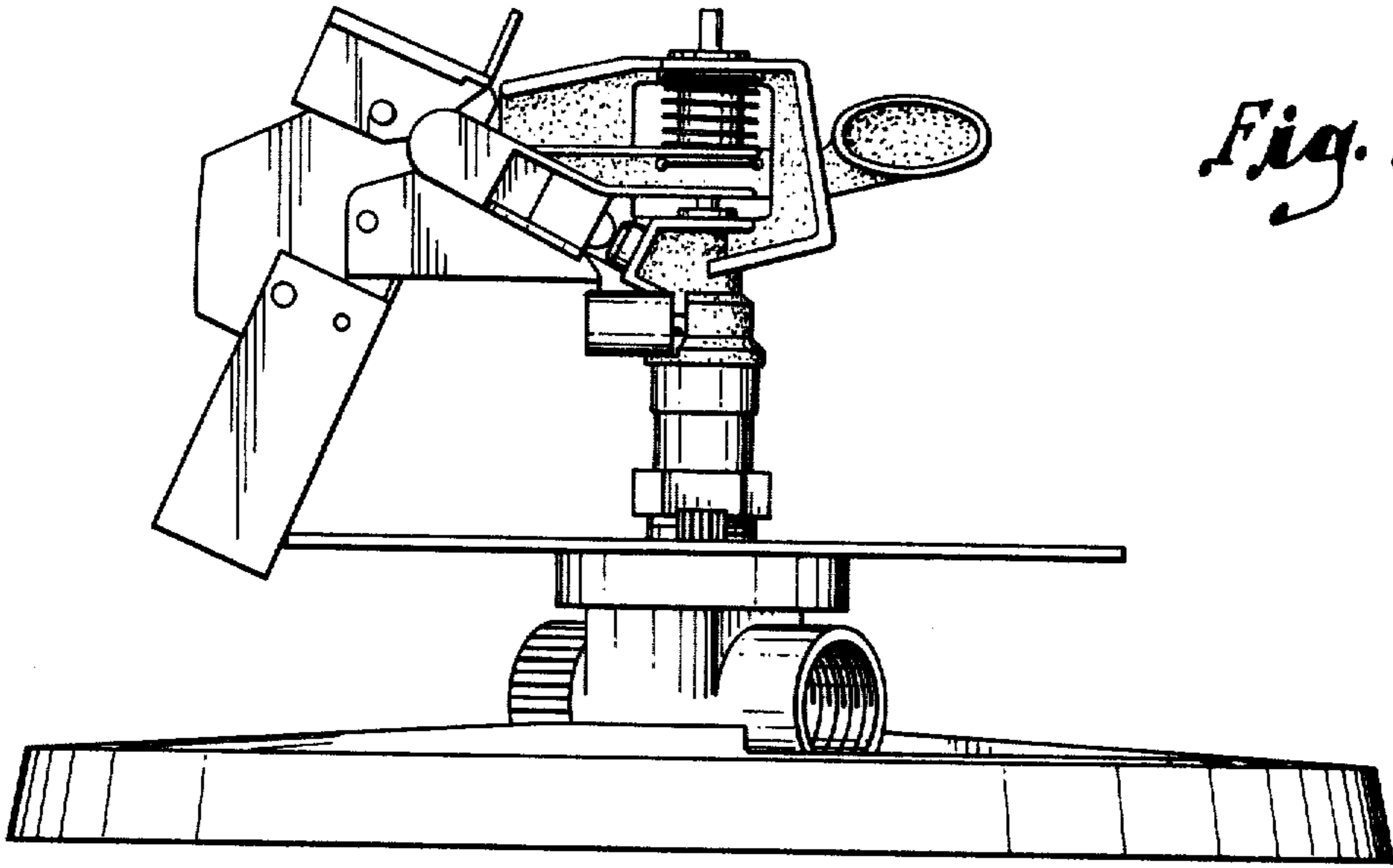


Fig. 3.

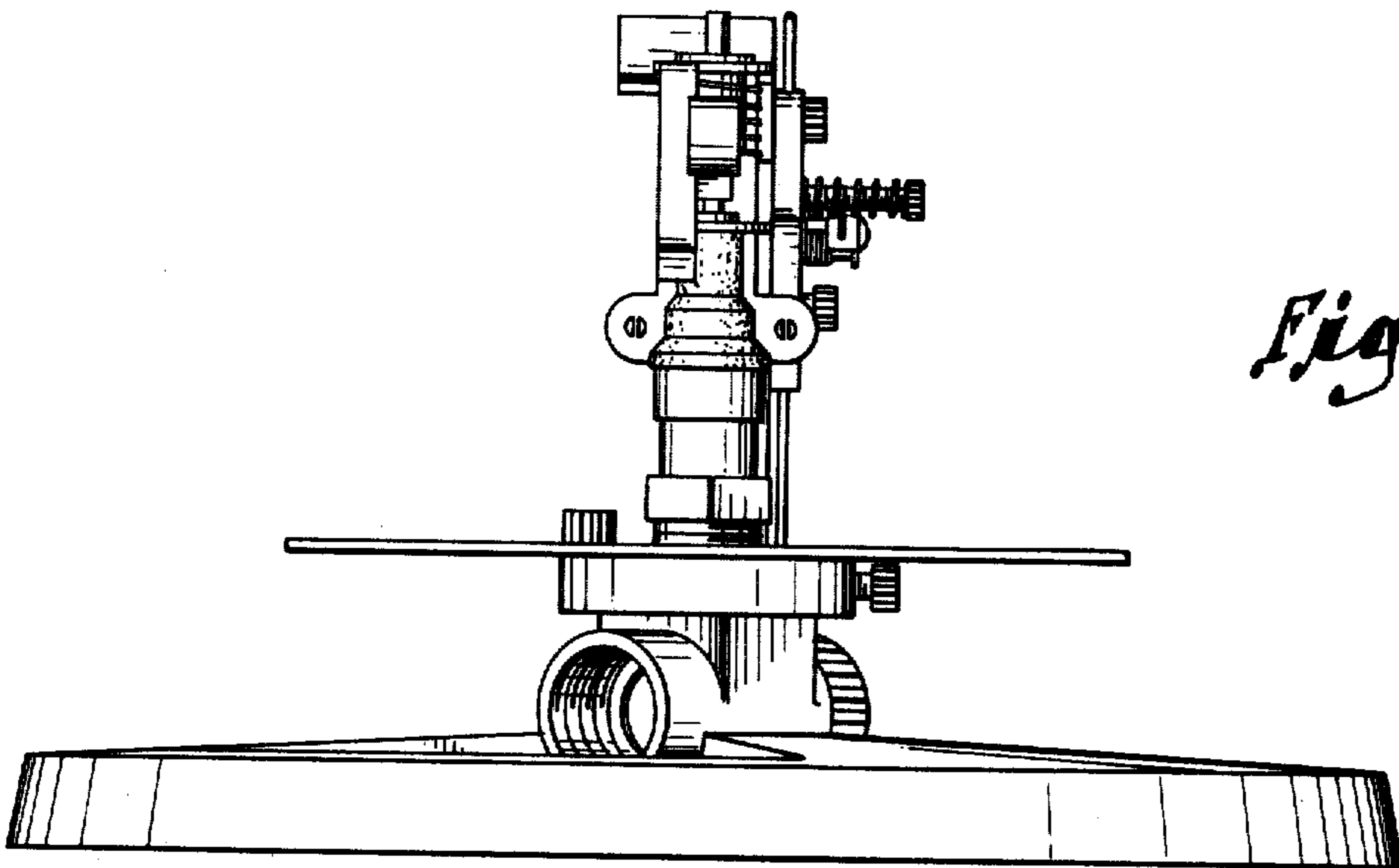


Fig. 4.

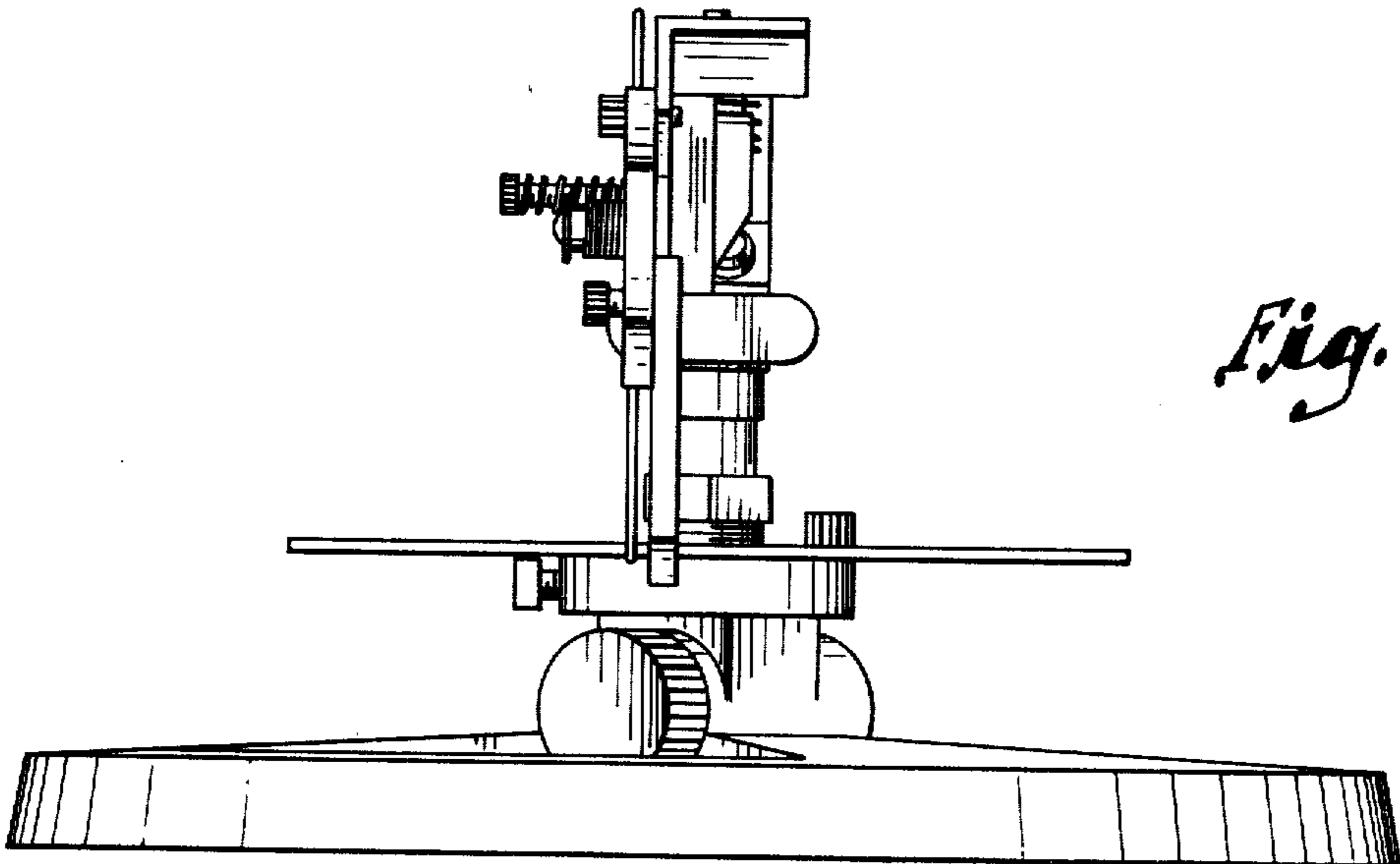


Fig. 5.