

[54] MINNOW TRAP

3,728,812 4/1973 Woolworth et al. 43/56 X

[76] Inventor: Frank E. Morrison, 144 Staats Pl.,
Bartlesville, Okla. 74003

Primary Examiner—A. Hugo Word
Attorney, Agent, or Firm—Head, Johnson & Stevenson

[21] Appl. No.: 262,418

[57] CLAIM

[22] Filed: May 11, 1981

The ornamental design for a minnow trap, substantially
as shown and described.

[51] Int. Cl. D22—06

DESCRIPTION

[52] U.S. Cl. D22/18

[58] Field of Search 43/56, 103, 65, 55;
D22/13, 18, 22

FIG. 1 is a side elevational view of the minnow trap
showing my design.

FIG. 2 is a bottom view.

FIG. 3 is a top plan view.

FIG. 4 is a front end elevational view.

FIG. 5 is a rear end elevational view.

FIG. 6 is a side elevational view opposite that of FIG.
1.

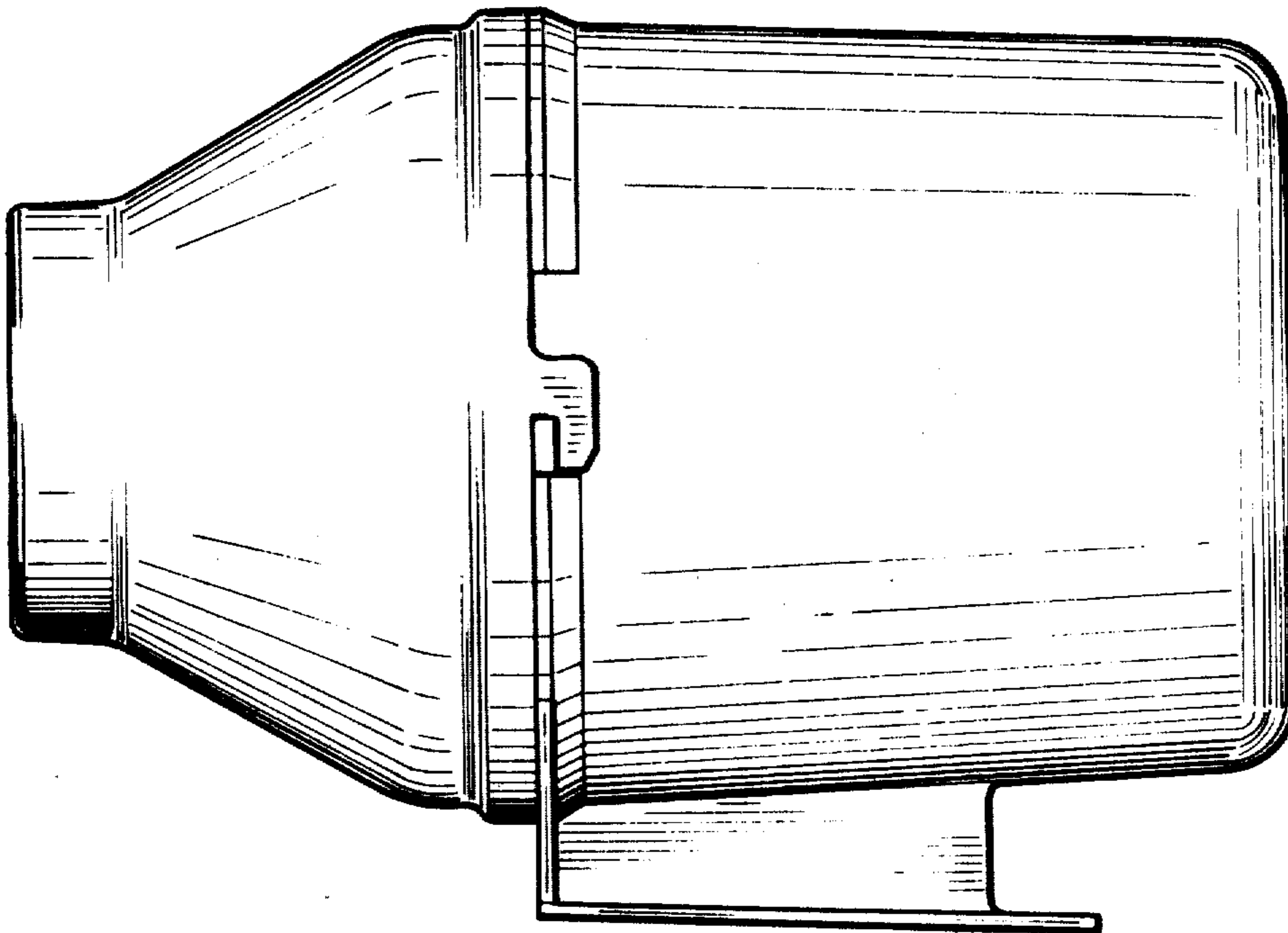
FIG. 7 is a side elevational sectional view taken along
broken lines 7—7 of FIG. 4.

[56]

References Cited

U.S. PATENT DOCUMENTS

1,941,242	12/1933	Bechtet et al.	43/103 X
2,688,817	9/1954	Brune	43/103 X
3,077,695	2/1963	Winter	43/56
3,145,500	8/1964	French et al.	43/56 X



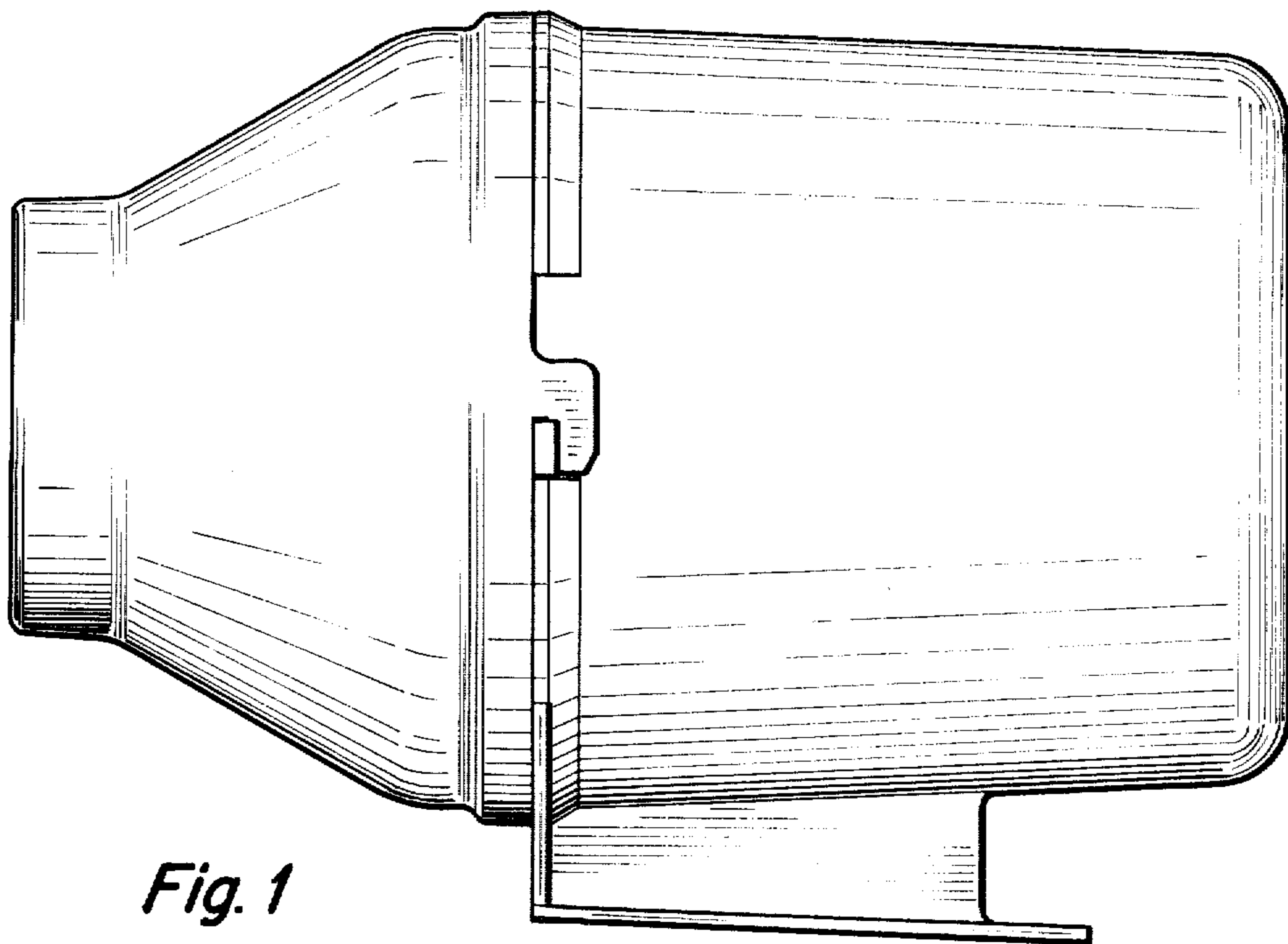


Fig. 1

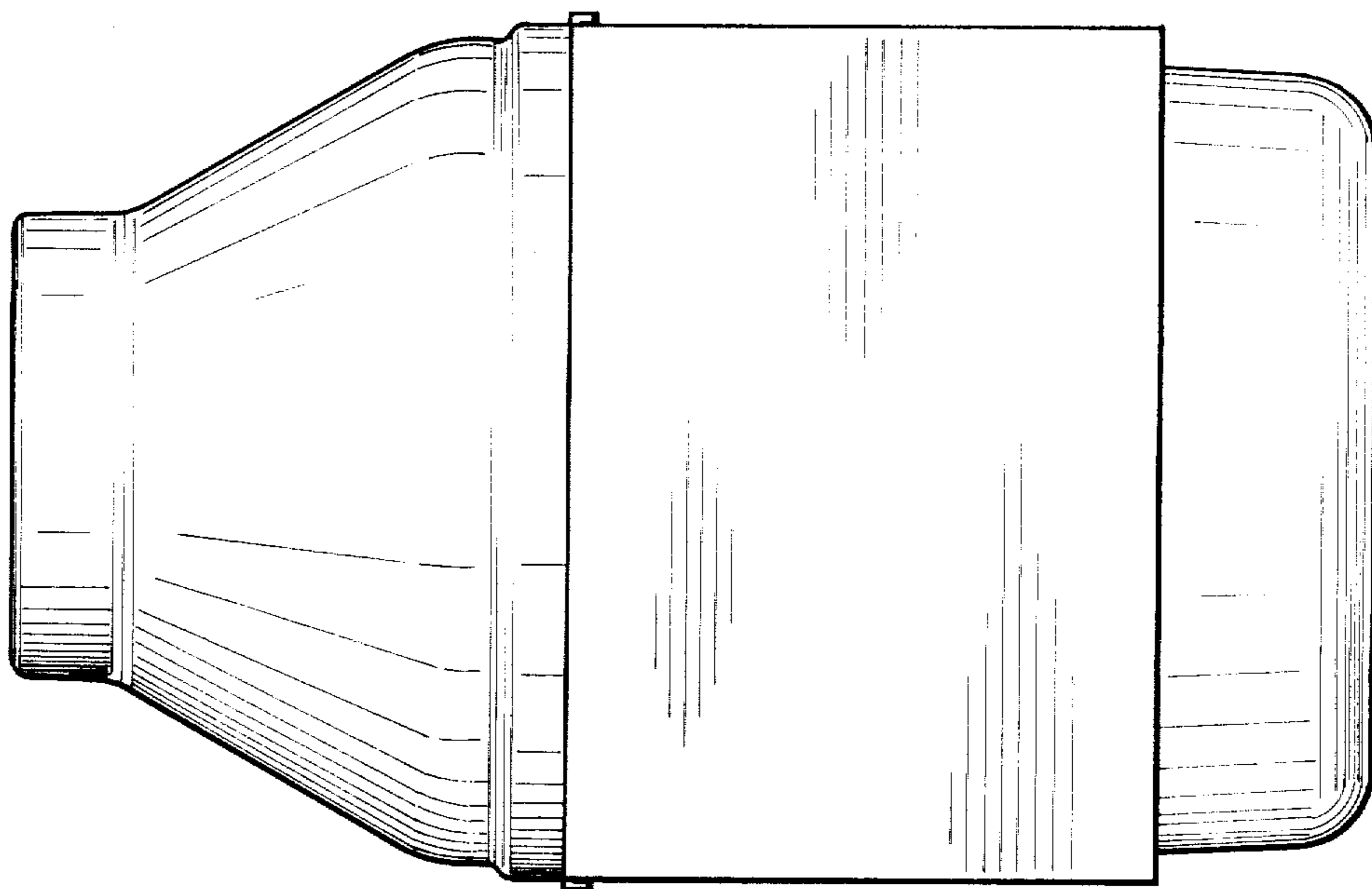


Fig. 2

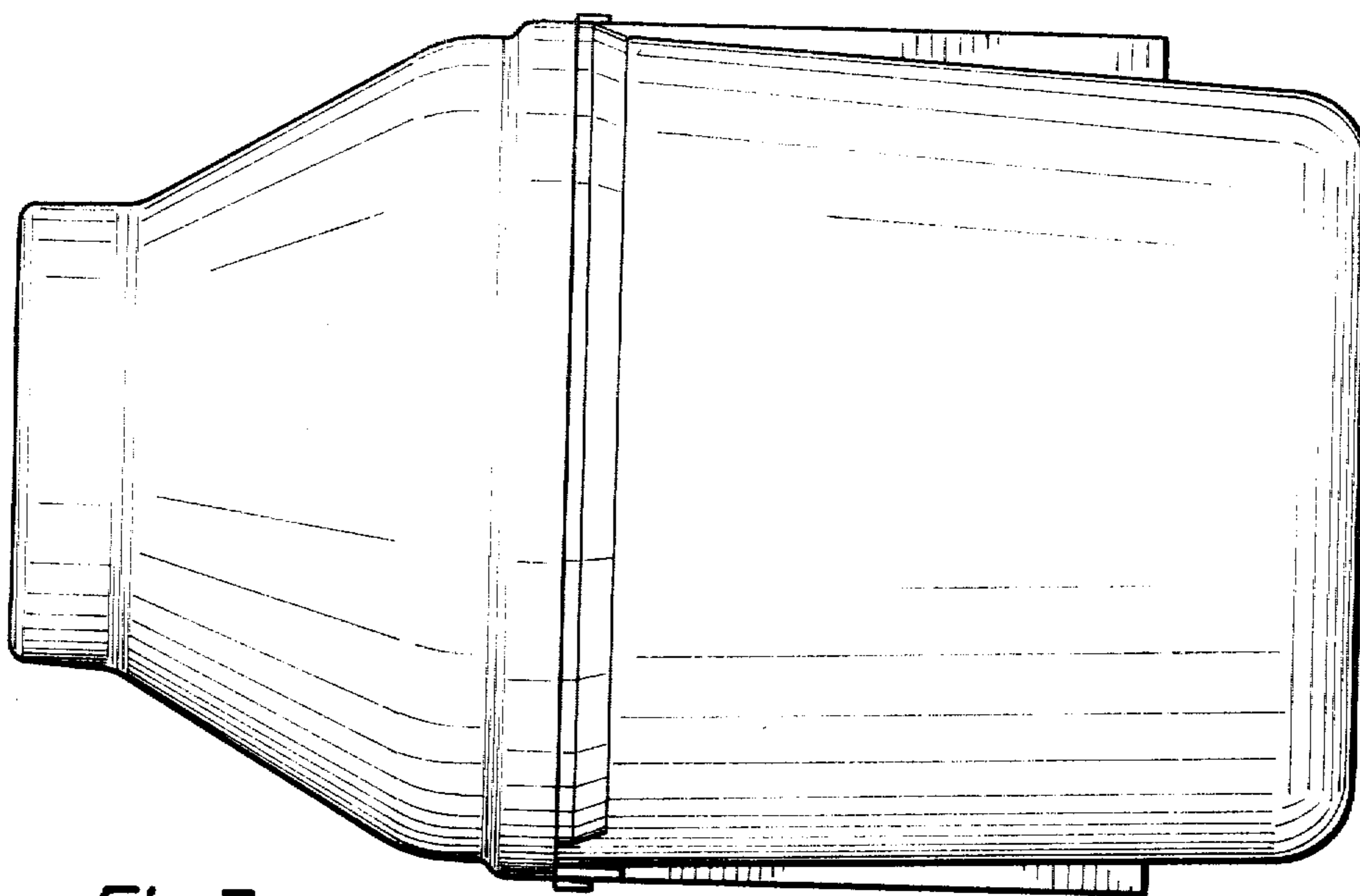


Fig. 3

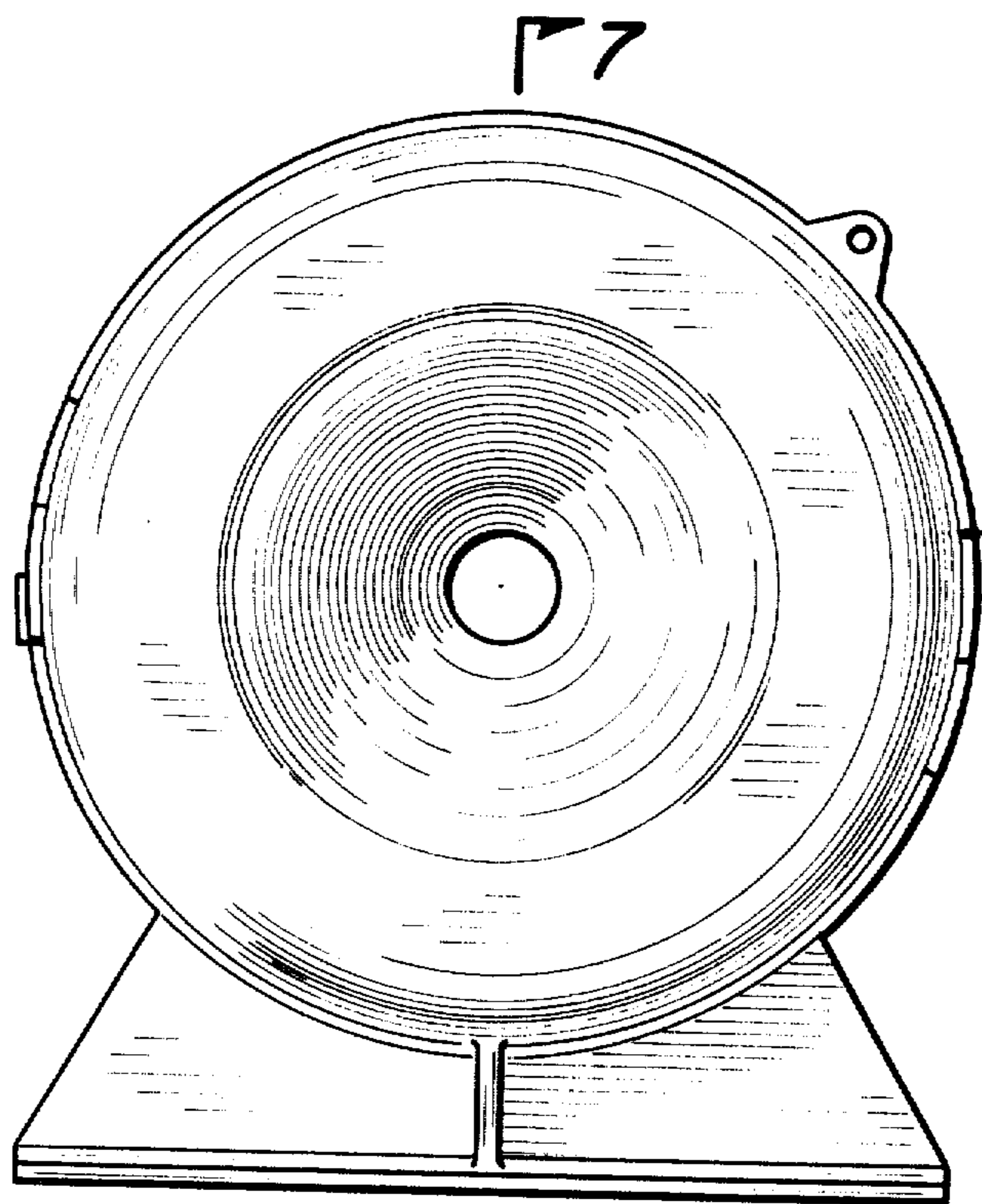


Fig. 4

L7

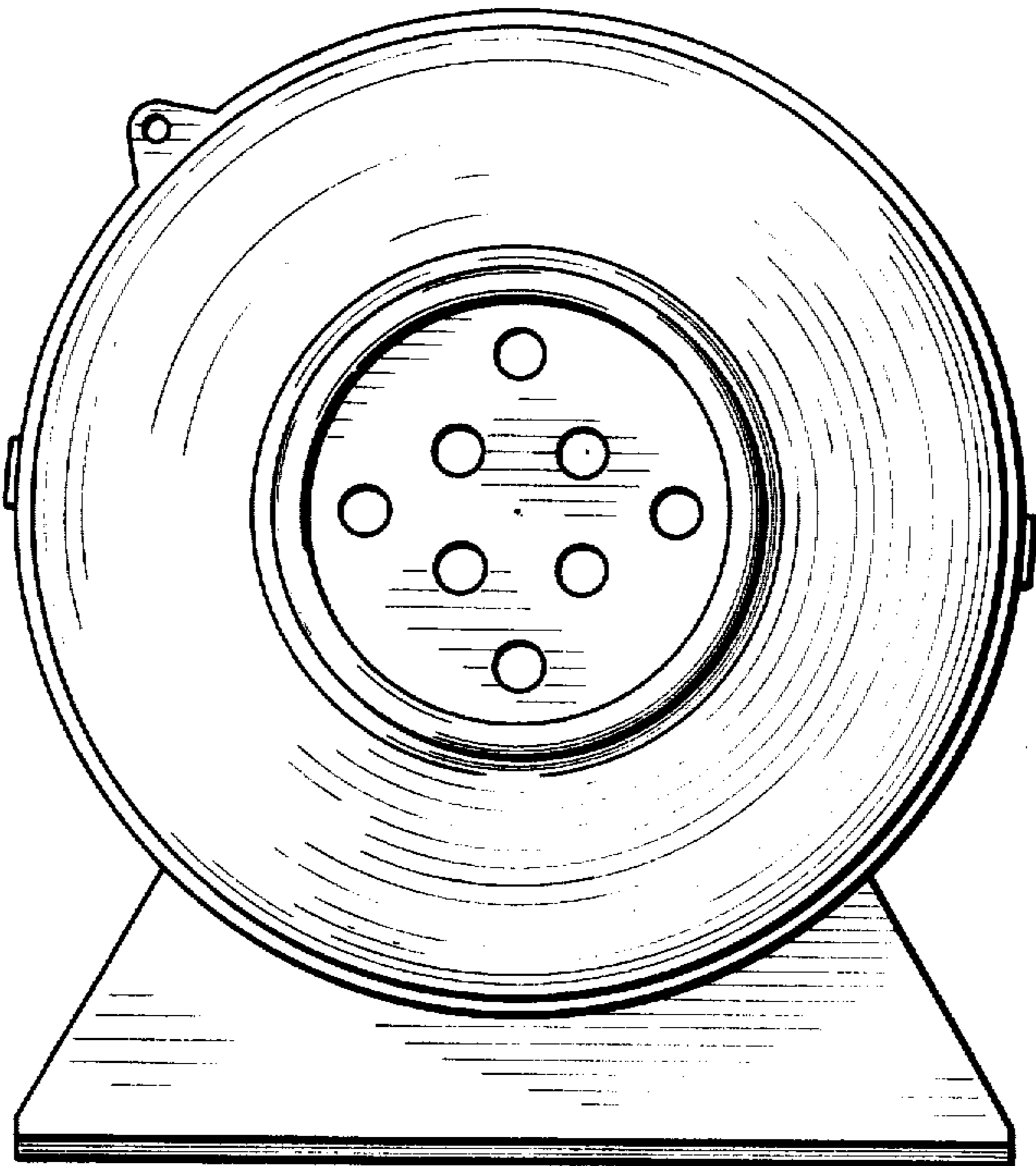


Fig. 5

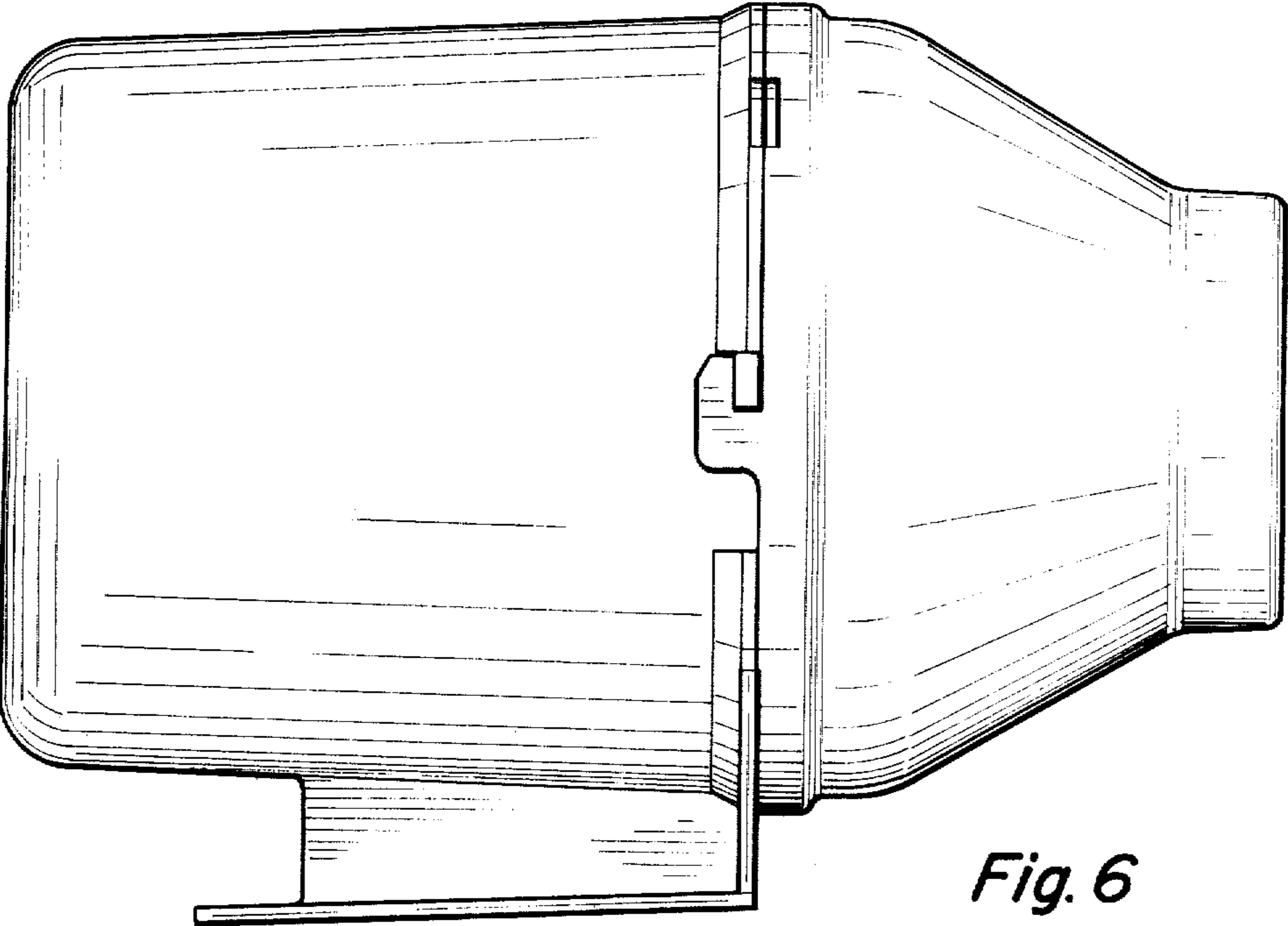


Fig. 6

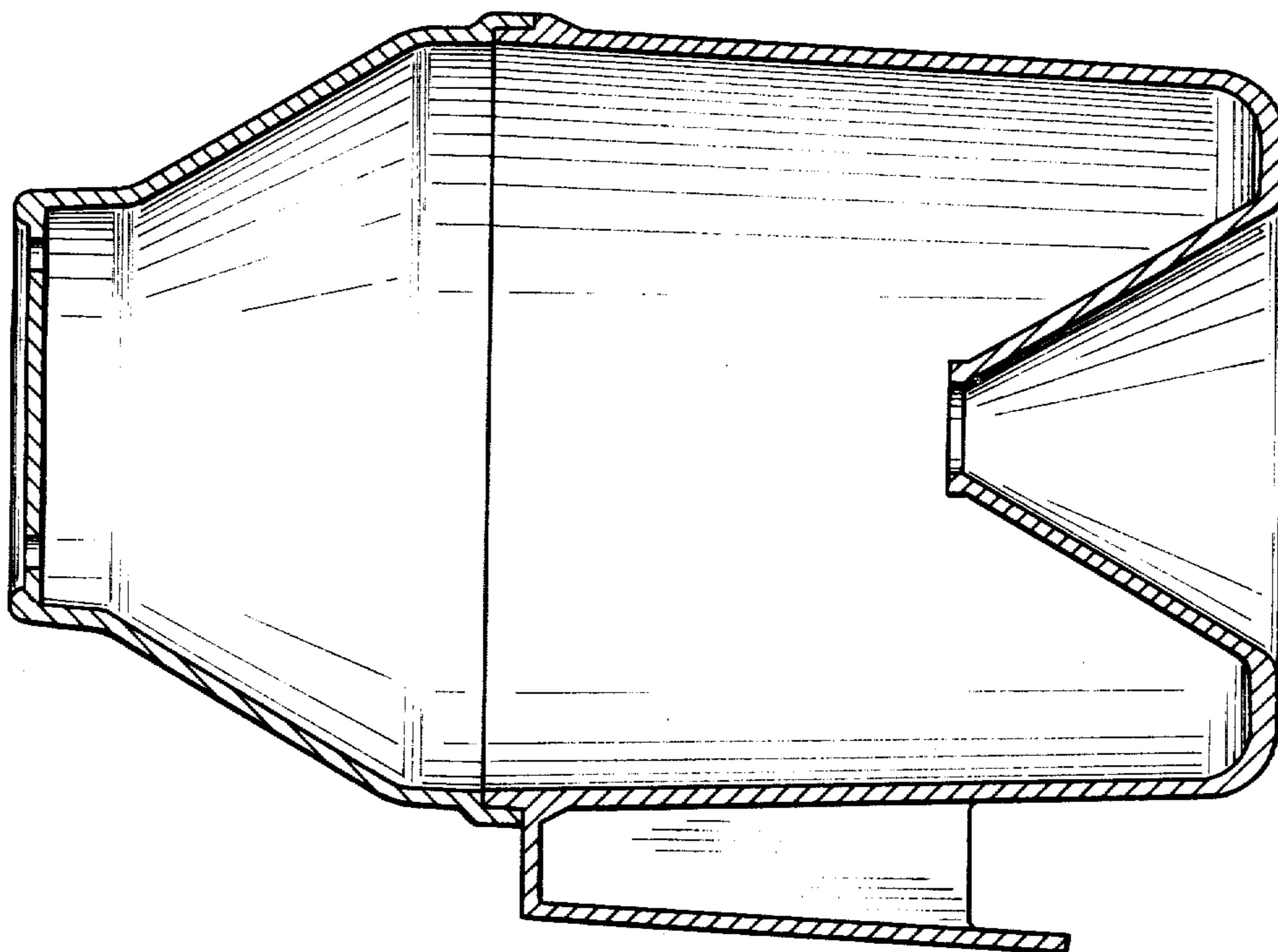


Fig. 7