

[54] PHYSICAL EXERCISER

[75] Inventor: Gert F. Kölbel, Hanover, Fed. Rep. of Germany

[73] Assignee: Compret N.V., Amsterdam, Netherlands

[21] Appl. No.: 235,358

[22] Filed: Feb. 17, 1981

[30] Foreign Application Priority Data

Aug. 14, 1980 [GB] United Kingdom ..... 996140

[51] Int. Cl. .... D21-01

[52] U.S. Cl. .... D21/198

[58] Field of Search ..... D21/191-199; 272/141, 143, 93, 67, 68, 128

[56] References Cited

U.S. PATENT DOCUMENTS

D. 241,150	8/1976	Hale	.....	D21/191
D. 243,103	1/1977	Hale	.....	D21/198
3,746,339	7/1973	Cox	.....	272/141
4,057,246	11/1977	Wilson	.....	272/143

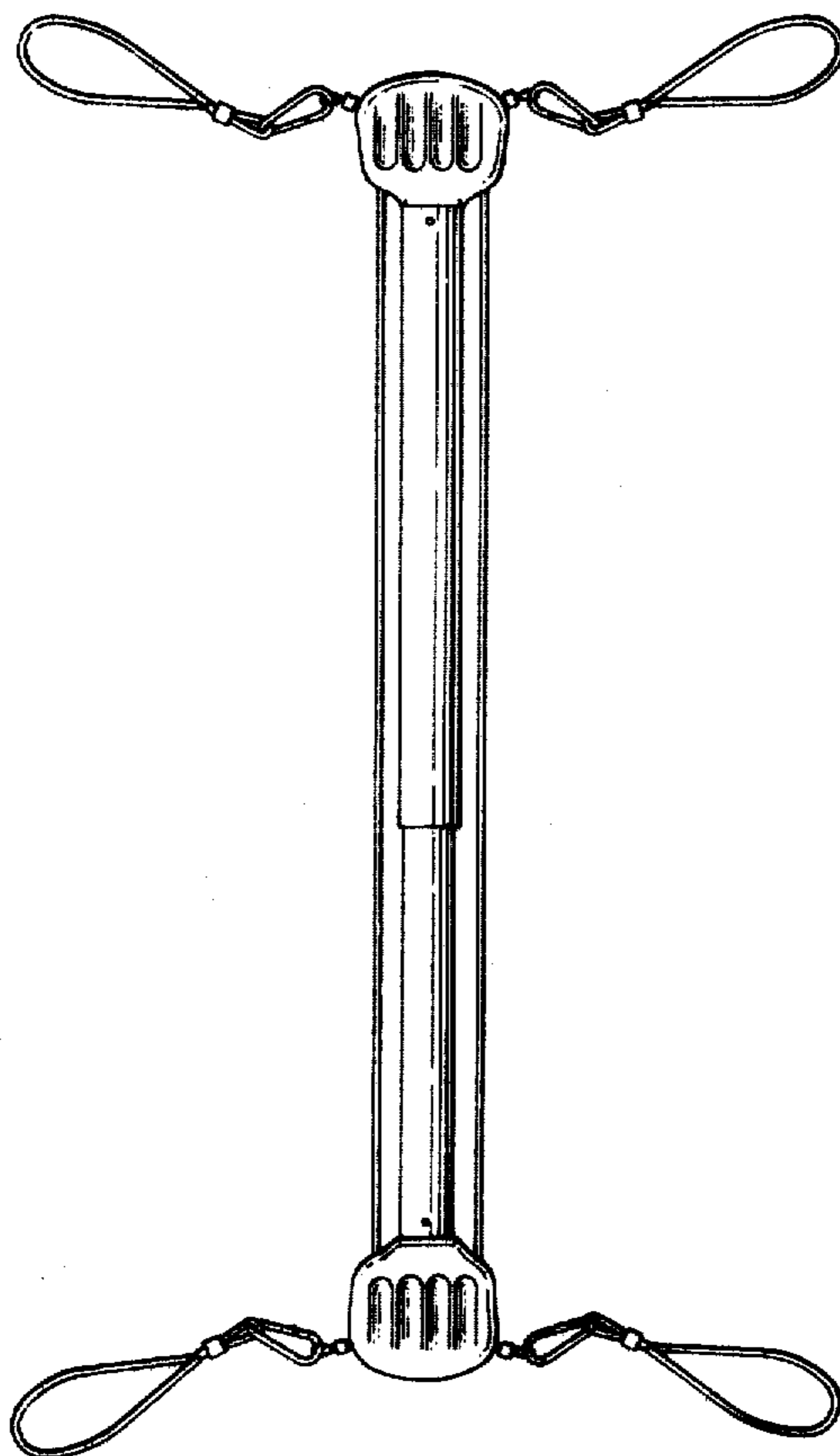
Primary Examiner—Charles A. Rademaker  
Attorney, Agent, or Firm—Blum, Kaplan, Friedman, Silberman & Beran

[57] CLAIM

The ornamental design for a physical exerciser, as shown and described.

DESCRIPTION

FIG. 1 is a front elevational view of a physical exerciser embodying my new design, and FIG. 2 is a side elevational view thereof. FIG. 3 is a top view thereof. The rear view, other side view and bottom view thereof are substantially the mirror images of FIGS. 1, 2, 3, respectively.



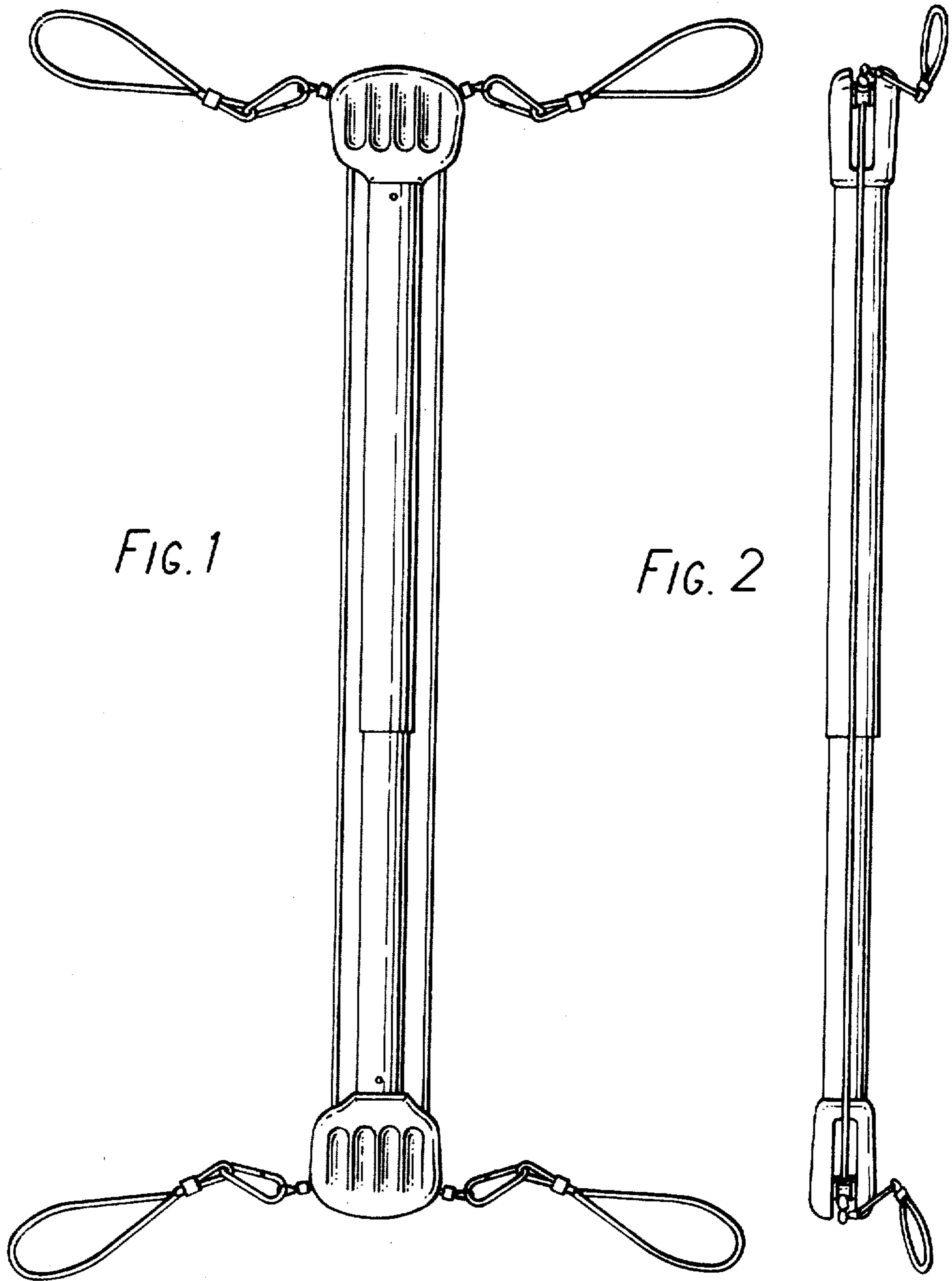


FIG. 1

FIG. 2

*FIG. 3*

