

[54] GUITAR

[75] Inventor: Bruce N. Hardy, Elkhart, Ind.

[73] Assignee: Silver Street, Inc., Elkhart, Ind.

[21] Appl. No.: 289,292

[22] Filed: Aug. 3, 1981

[51] Int. Cl. .... D17-03

[52] U.S. Cl. .... D17/14

[58] Field of Search ..... D17/14; 84/267, 291, 84/307

[56] References Cited

U.S. PATENT DOCUMENTS

D. 162,521	3/1951	Crowle et al.	.....	D17/14
D. 208,948	10/1967	Jennings	.....	D17/14
3,251,257	5/1966	Bunker	.....	D17/14

Primary Examiner—Jane E. Corrigan

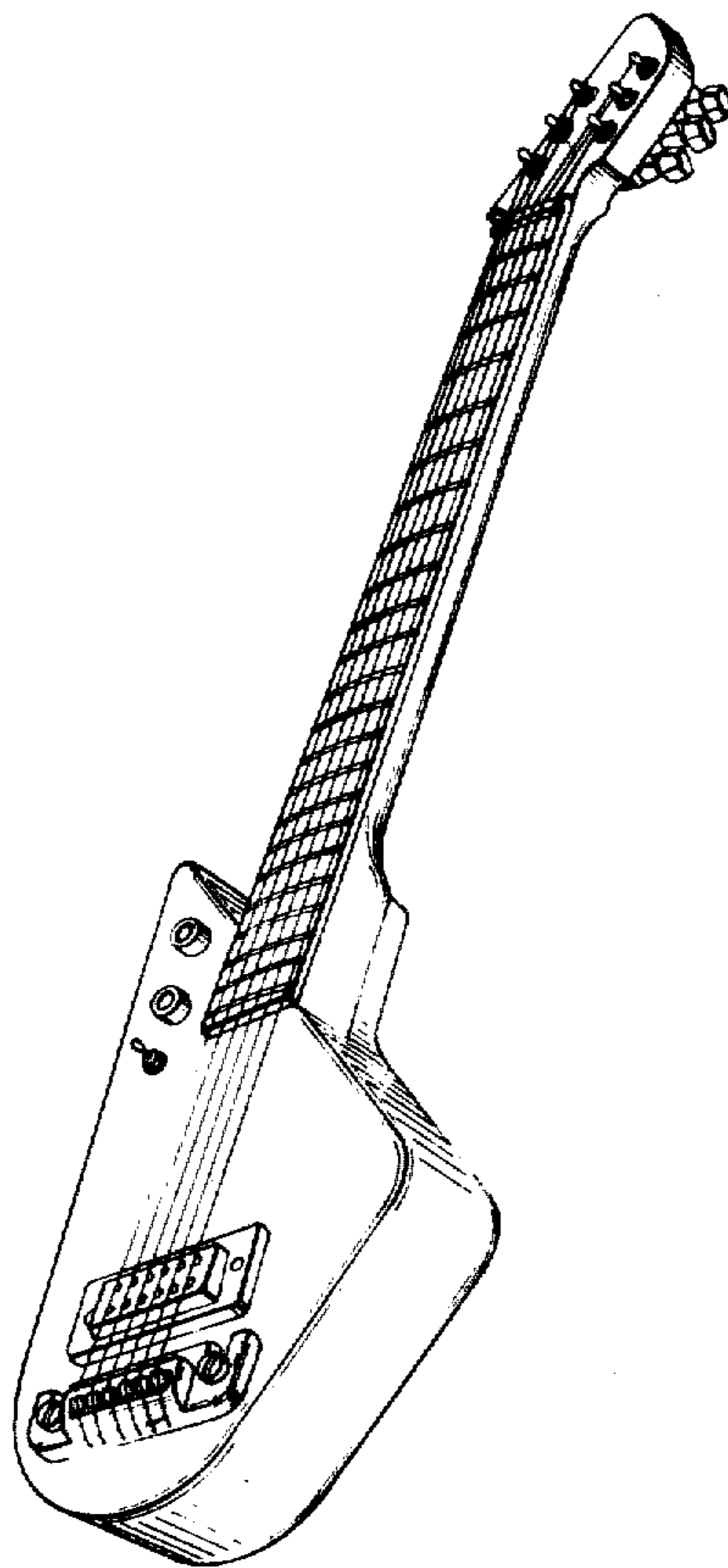
Attorney, Agent, or Firm—Marmaduke A. Hobbs

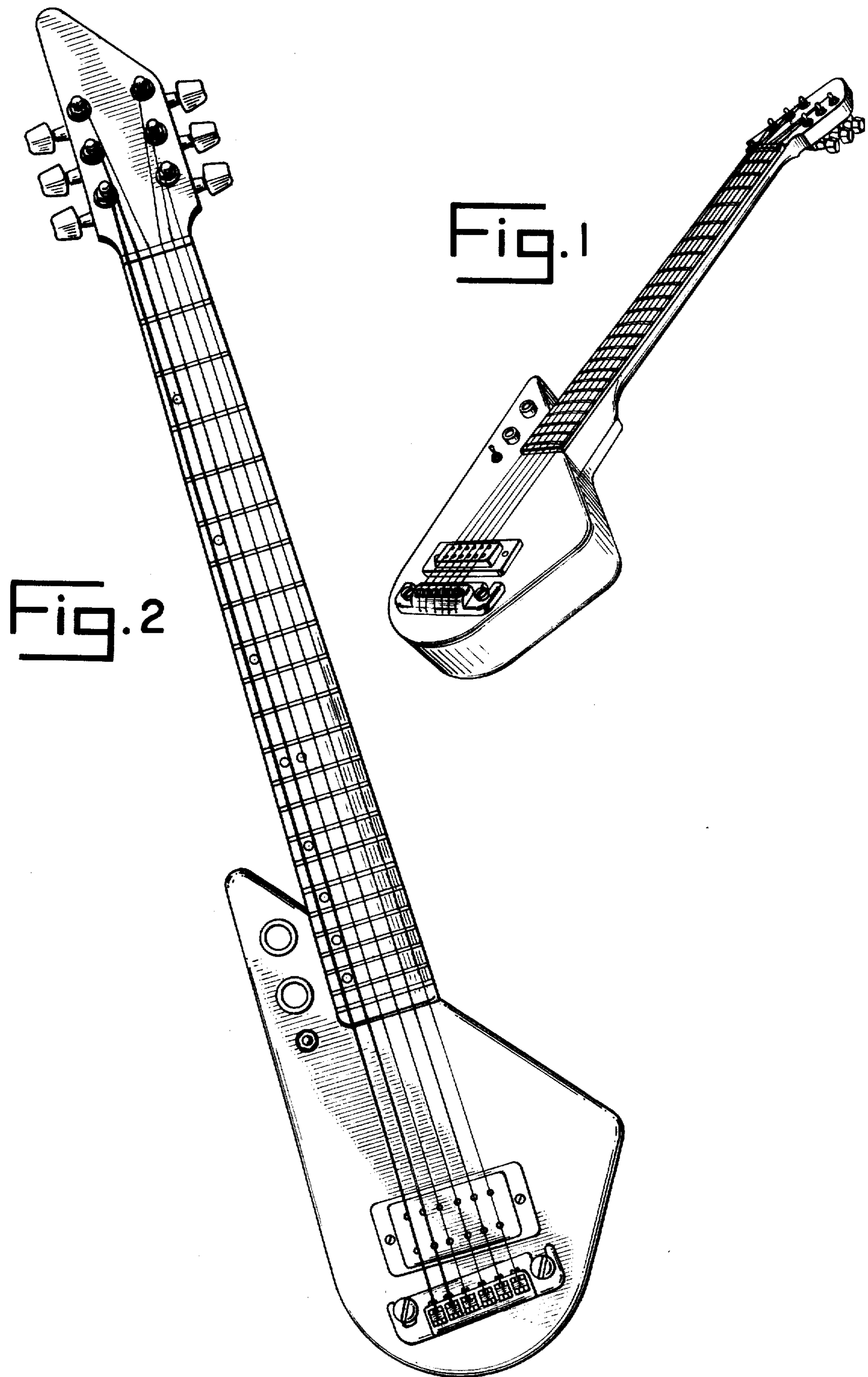
[57] CLAIM

The ornamental design for a guitar, substantially as shown and described.

DESCRIPTION

FIG. 1 is a front and right side perspective view of a guitar showing my new design;  
 FIG. 2 is a front elevational view;  
 FIG. 3 is a left side elevational view;  
 FIG. 4 is a fragmentary right side elevational view;  
 FIG. 5 is a bottom plan view;  
 FIG. 6 is a top plan view;  
 FIG. 7 is a rear elevational view with part of the neck broken away for convenience of illustration;  
 FIG. 8 is a sectional view of the neck taken along line 8—8 of FIG. 7; and  
 FIG. 9 is a sectional view of the neck taken along line 9—9 of FIG. 7.





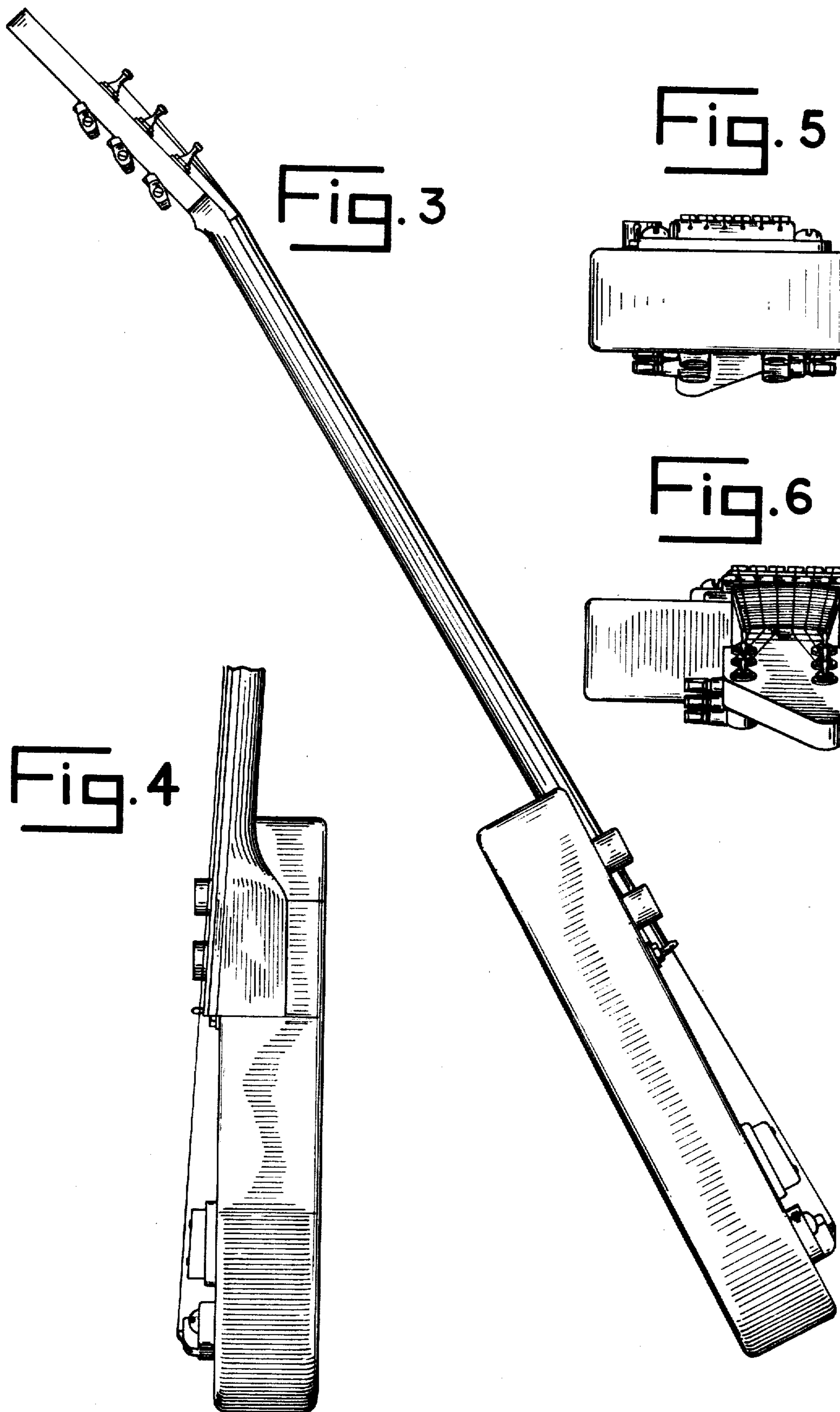


Fig. 5

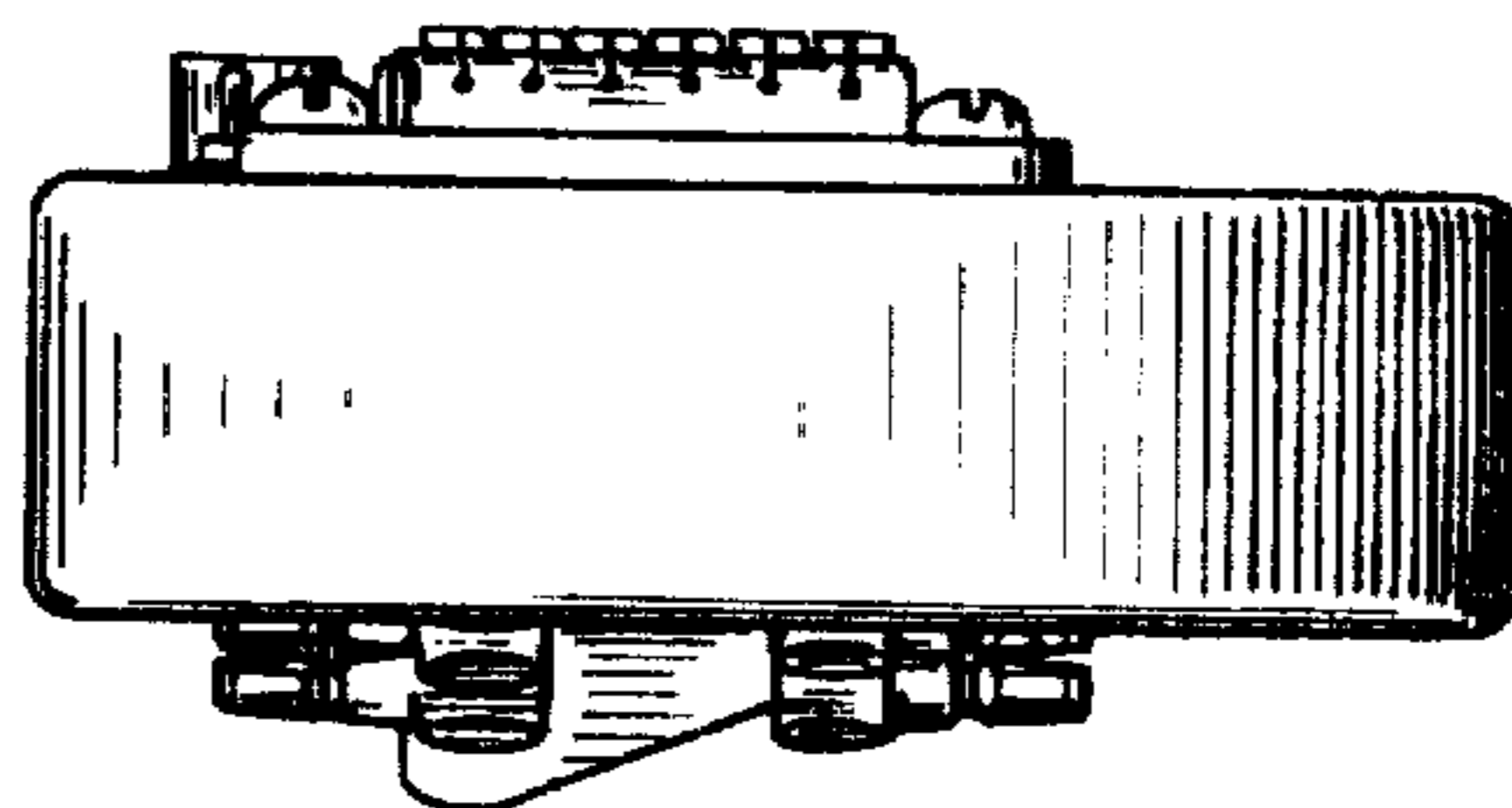


Fig. 6

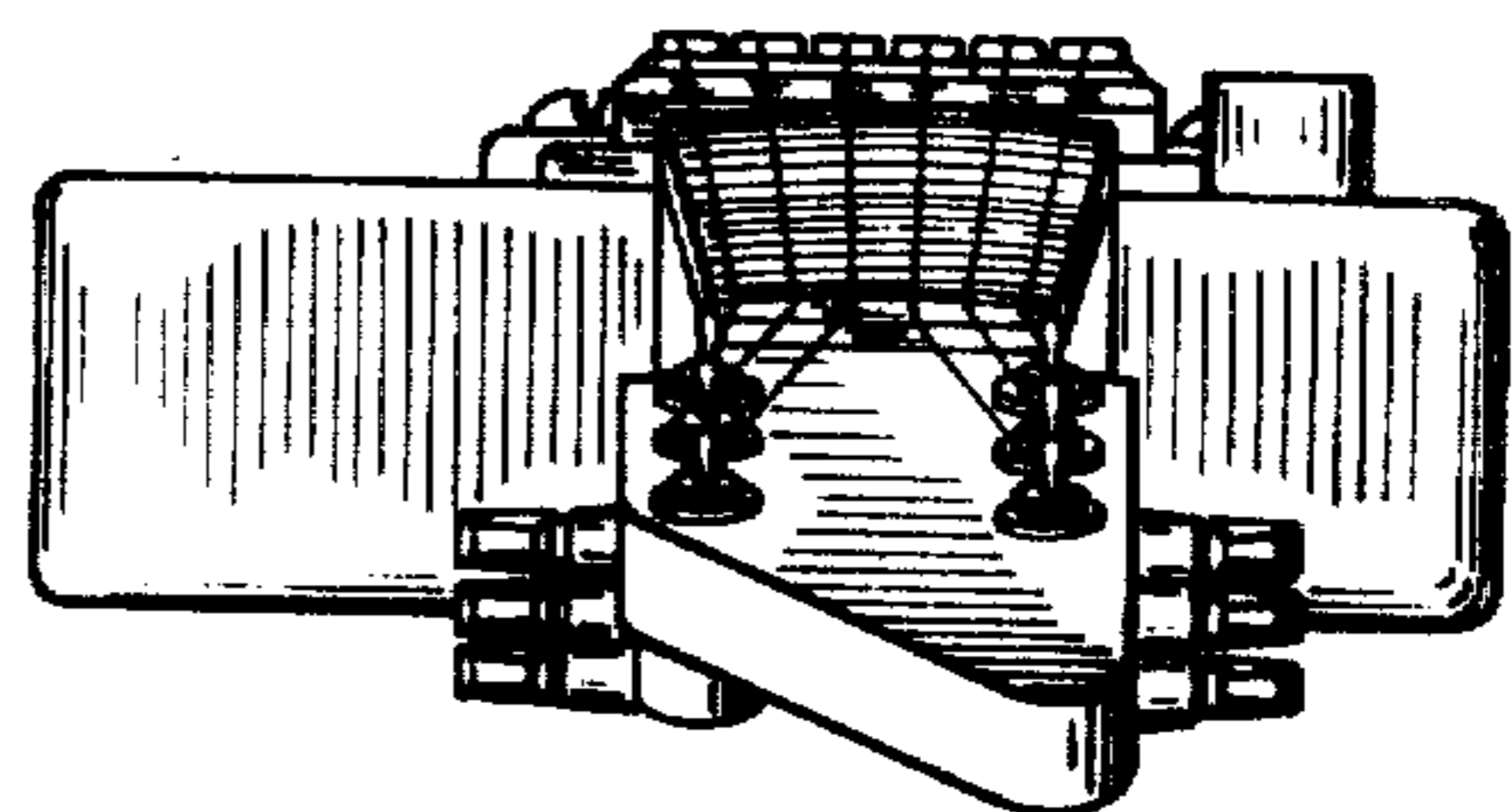
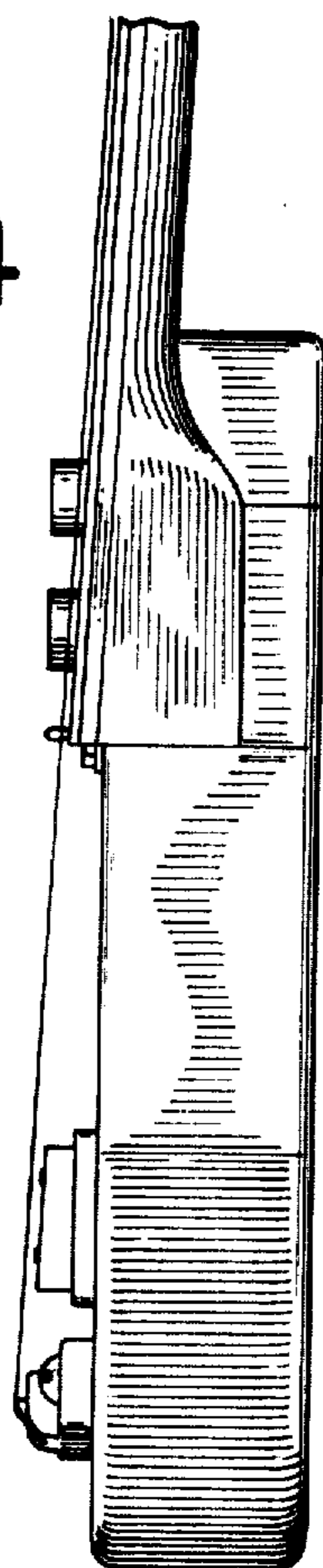


Fig. 4



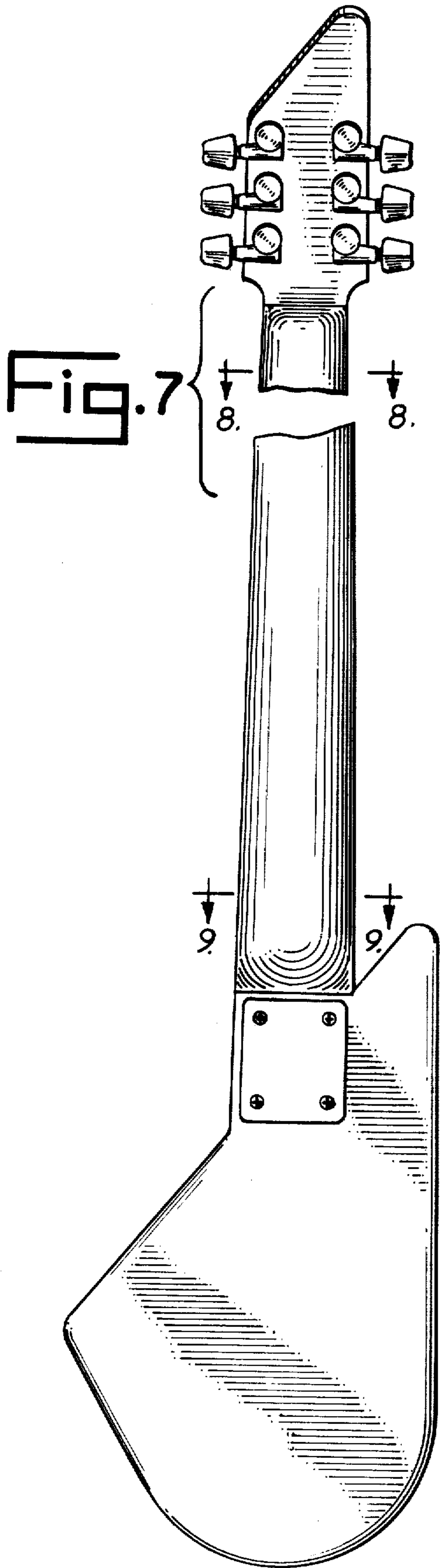


Fig. 8



Fig. 9

