

[54] **PRESS**

[75] Inventors: **Phillip A. Spainhour**, Waukegan; **Leo C. Bogaerts**, Antioch; **Robert S. Hampton, Jr.**, Wadsworth; **Leonard A. Morrison**, Chicago, all of Ill.

[73] Assignee: **Ammco Tools**, North Chicago, Ill.

[21] Appl. No.: **273,232**

[22] Filed: **Jun. 12, 1981**

[51] Int. Cl. **D15-99**

[52] U.S. Cl. **D15/123**

[58] Field of Search **D15/122, 123; 100/214, 100/257**

[56] **References Cited**

U.S. PATENT DOCUMENTS

D. 129,506	9/1941	Ernst et al.	D15/123
1,624,160	4/1927	Craig	100/257
3,201,967	8/1965	Balamuth et al.	100/257
3,858,431	1/1975	Miller	100/214
4,169,412	10/1979	Stelmasik	100/257
4,283,825	8/1981	McKay et al.	100/257

Primary Examiner—**B. J. Bullock**

Attorney, Agent, or Firm—**Edmond T. Patnaude**

[57] **CLAIM**

The ornamental design for a press, substantially as shown and described.

DESCRIPTION

FIG. 1 is a front elevational view of a press embodying our new design, the broken lines being for illustrative purposes only;

FIG. 2 is a side elevational view taken from the right side of FIG. 1;

FIG. 3 is a top plan view thereof, the bottom being unornamented;

FIG. 4 is a rear elevational view thereof;

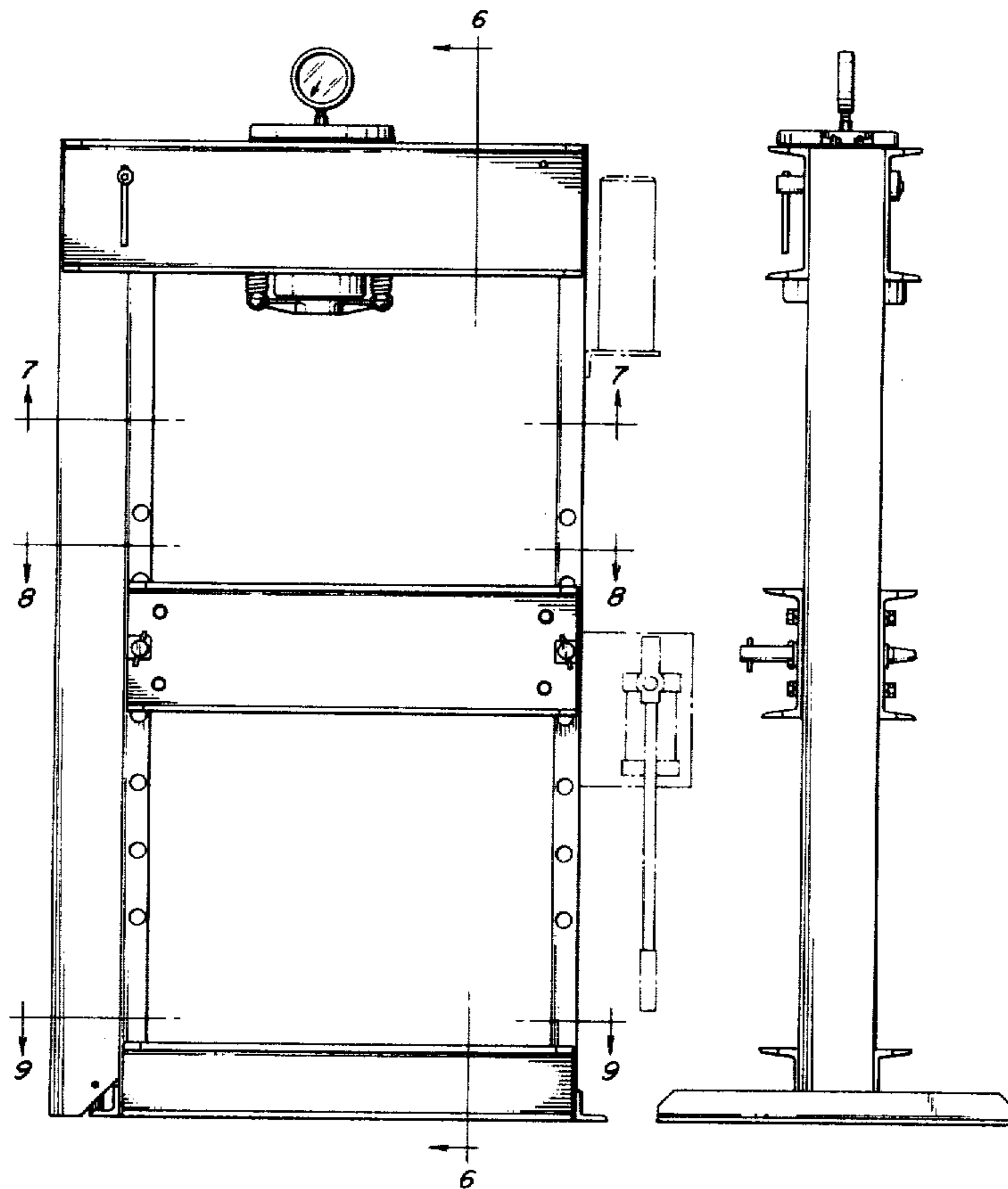
FIG. 5 is a side elevational view taken from the left side of FIG. 1; and

FIG. 6 is a sectional view taken in the direction of the arrows on line 6—6 of FIG. 1;

FIG. 7 is a sectional view taken in the direction of the arrows on line 7—7 of FIG. 1;

FIG. 8 is a sectional view taken in the direction of the arrows on line 8—8 of FIG. 1;

FIG. 9 is a sectional view taken in the direction of the arrows on line 9—9 of FIG. 1.



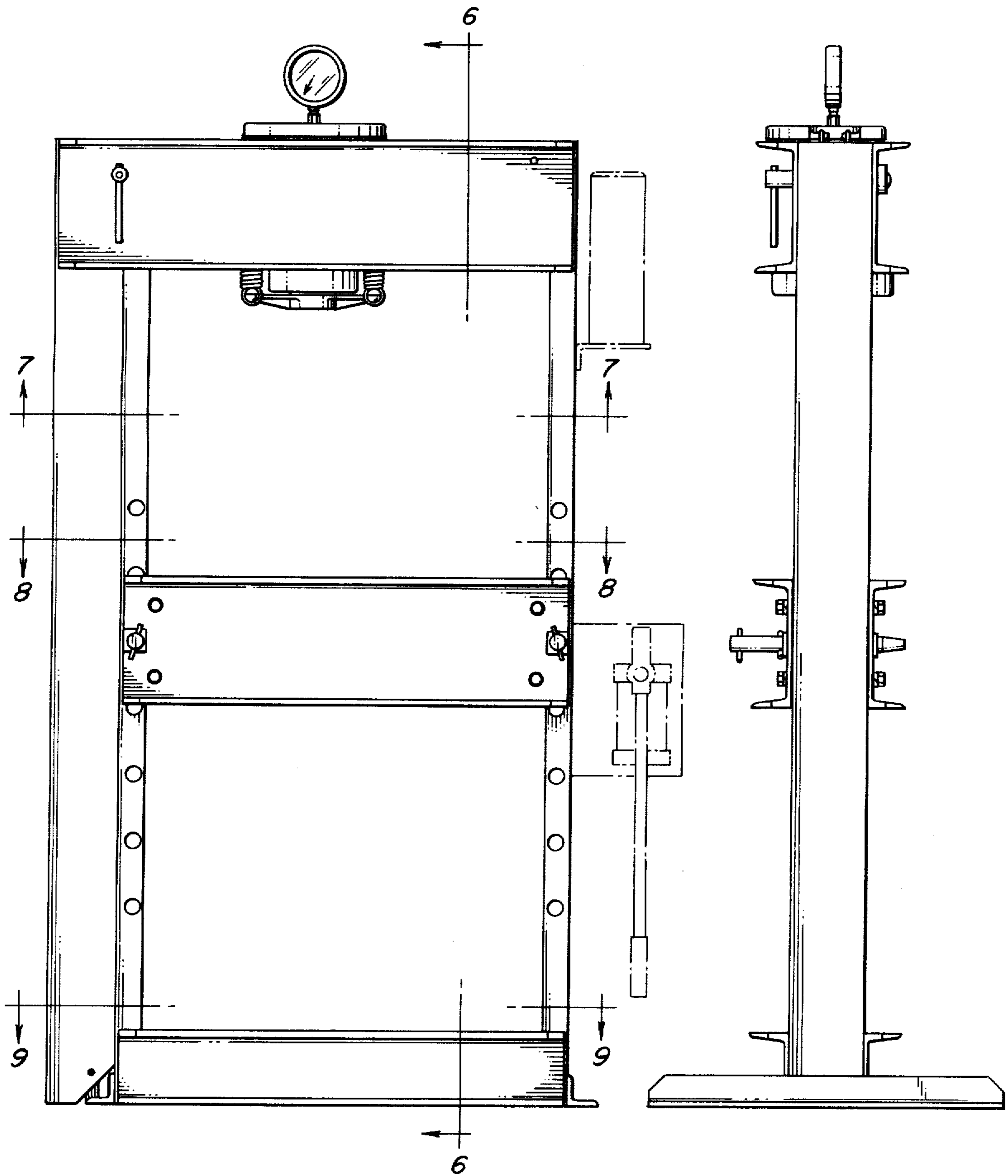


FIG. 1

FIG. 2

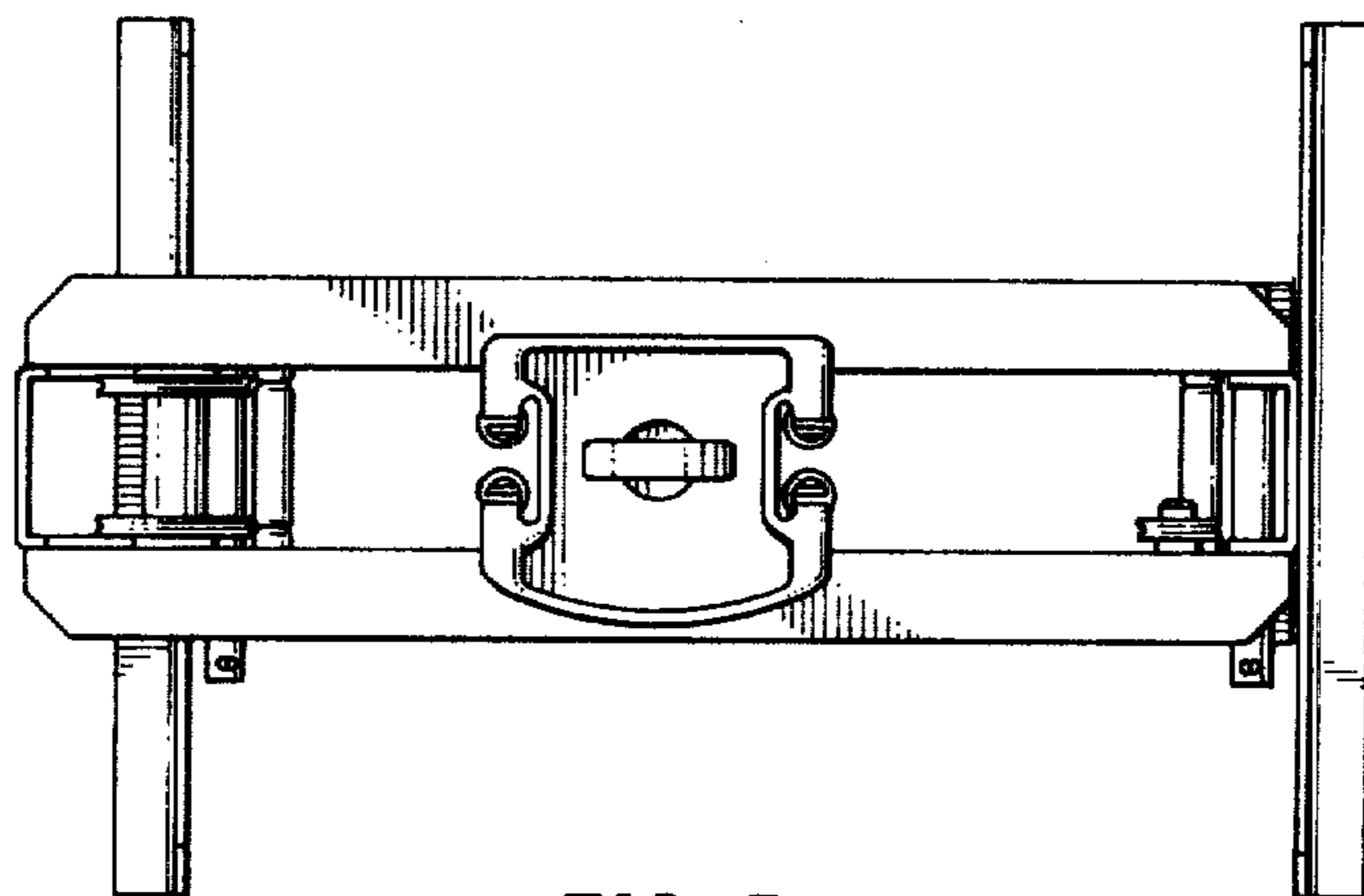


FIG. 3

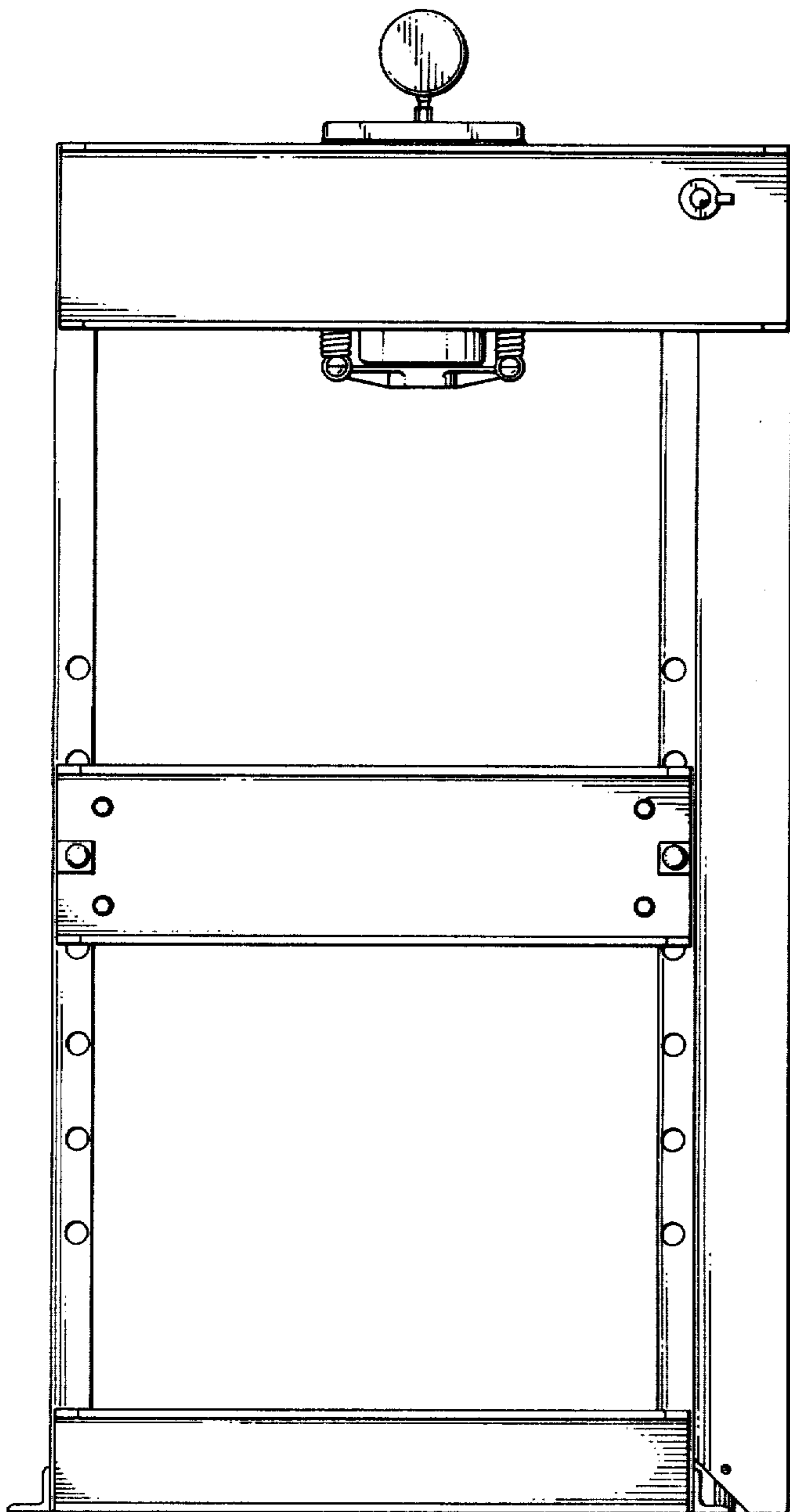


FIG. 4

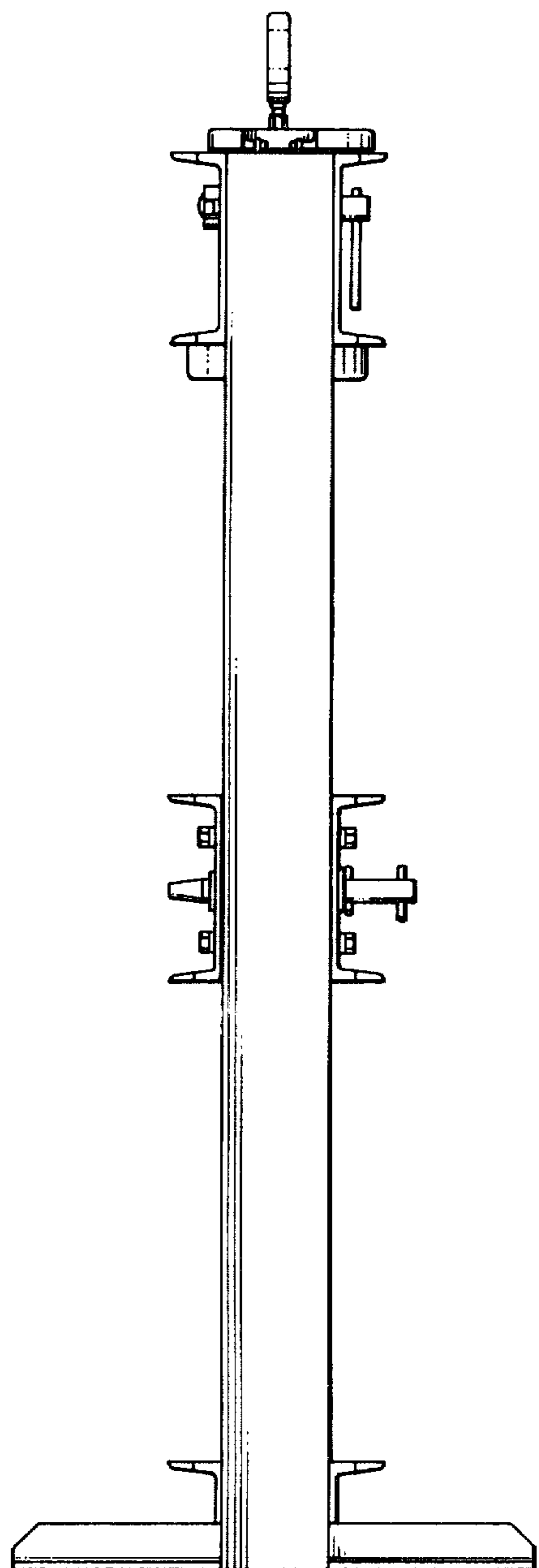


FIG. 5

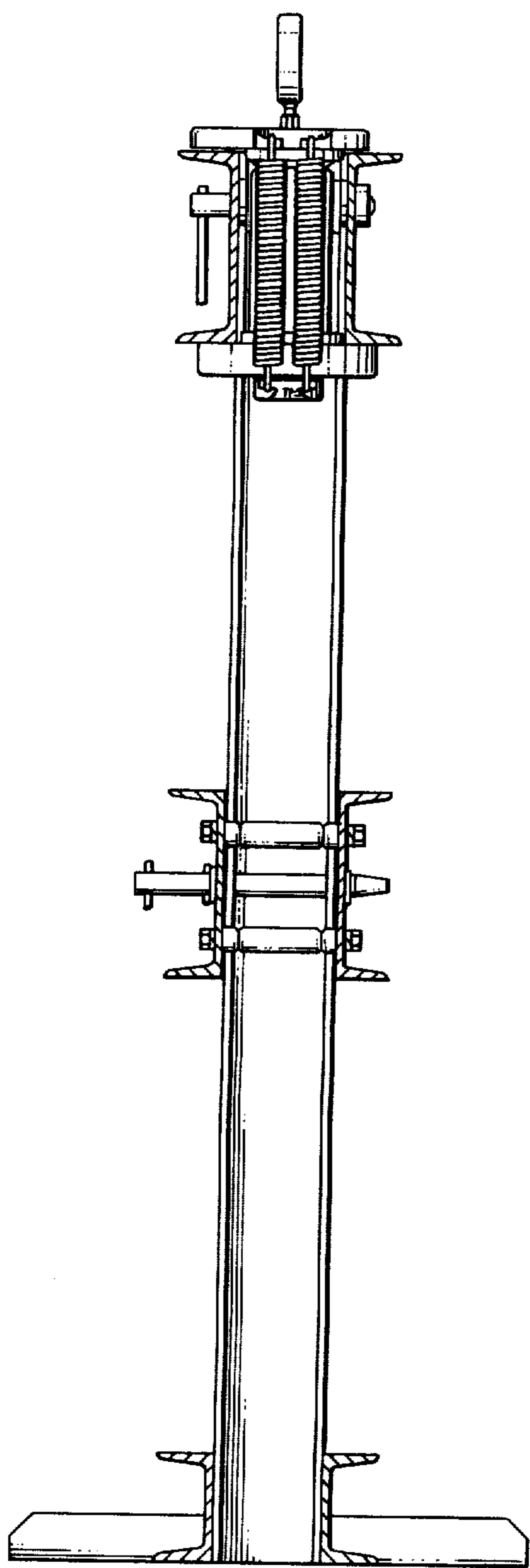


FIG. 6

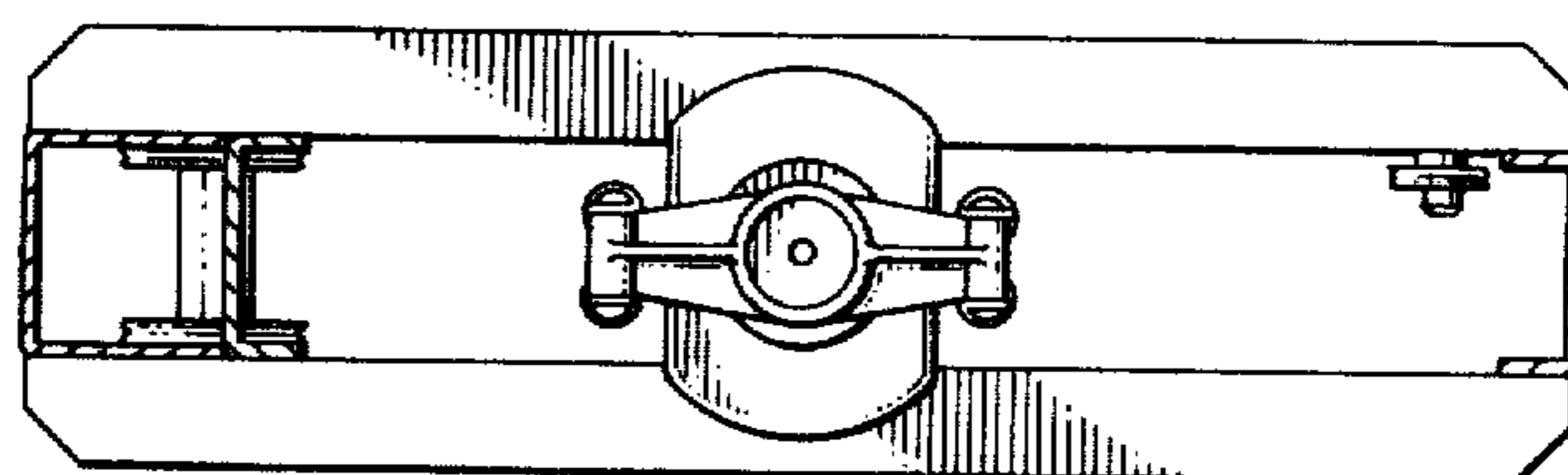


FIG. 7

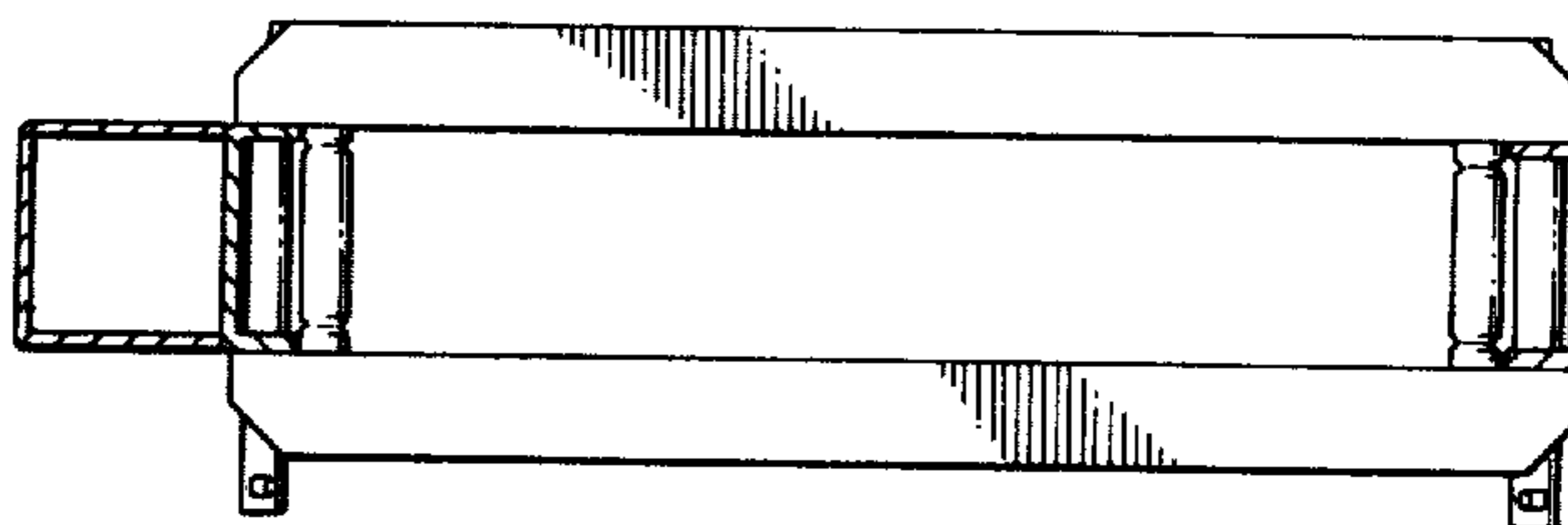


FIG. 8

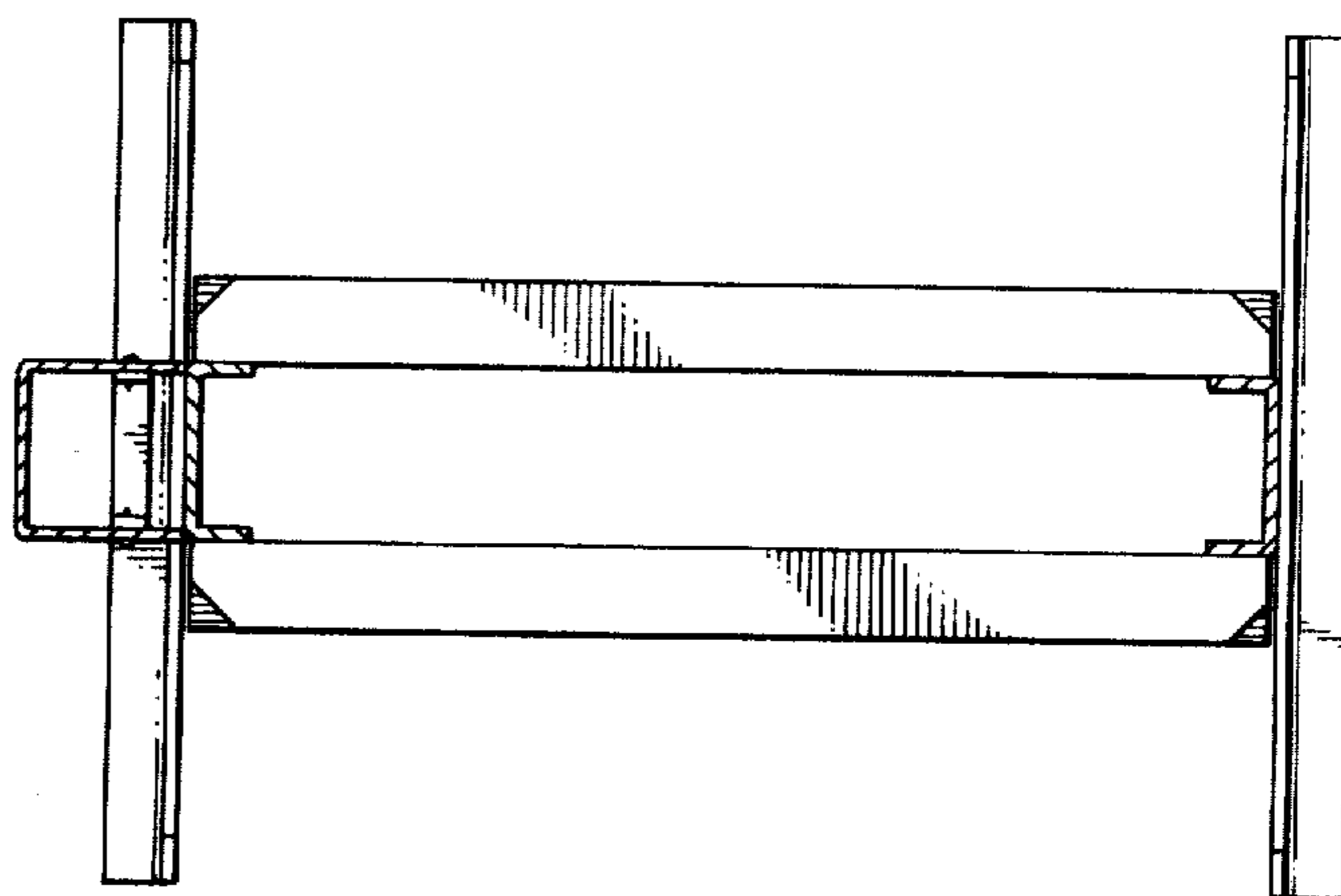


FIG. 9