

[54] TELEPHONE

[76] Inventor: Wesley L. Thomas, 109 S. Catalina St., Los Angeles, Calif. 90004

[21] Appl. No.: 228,116

[22] Filed: Jan. 26, 1981

[51] Int. Cl. D14-03; D21-01

[52] U.S. Cl. D14/53; D21/111; D21/166

[58] Field of Search D21/166, 111; D14/53, D14/59, 60, 33; 179/179, 178, 100 D, 100 R, 103

[56] References Cited

U.S. PATENT DOCUMENTS

D. 102,815 1/1937 Busto D21/166

D. 172,941 8/1954 Wood, Jr. D21/166
D. 246,126 10/1977 Ogawa D21/166
D. 250,023 10/1978 Perkins et al. D14/53
D. 265,400 7/1982 Feldman D14/33
4,087,650 5/1978 Tucker 179/100 D

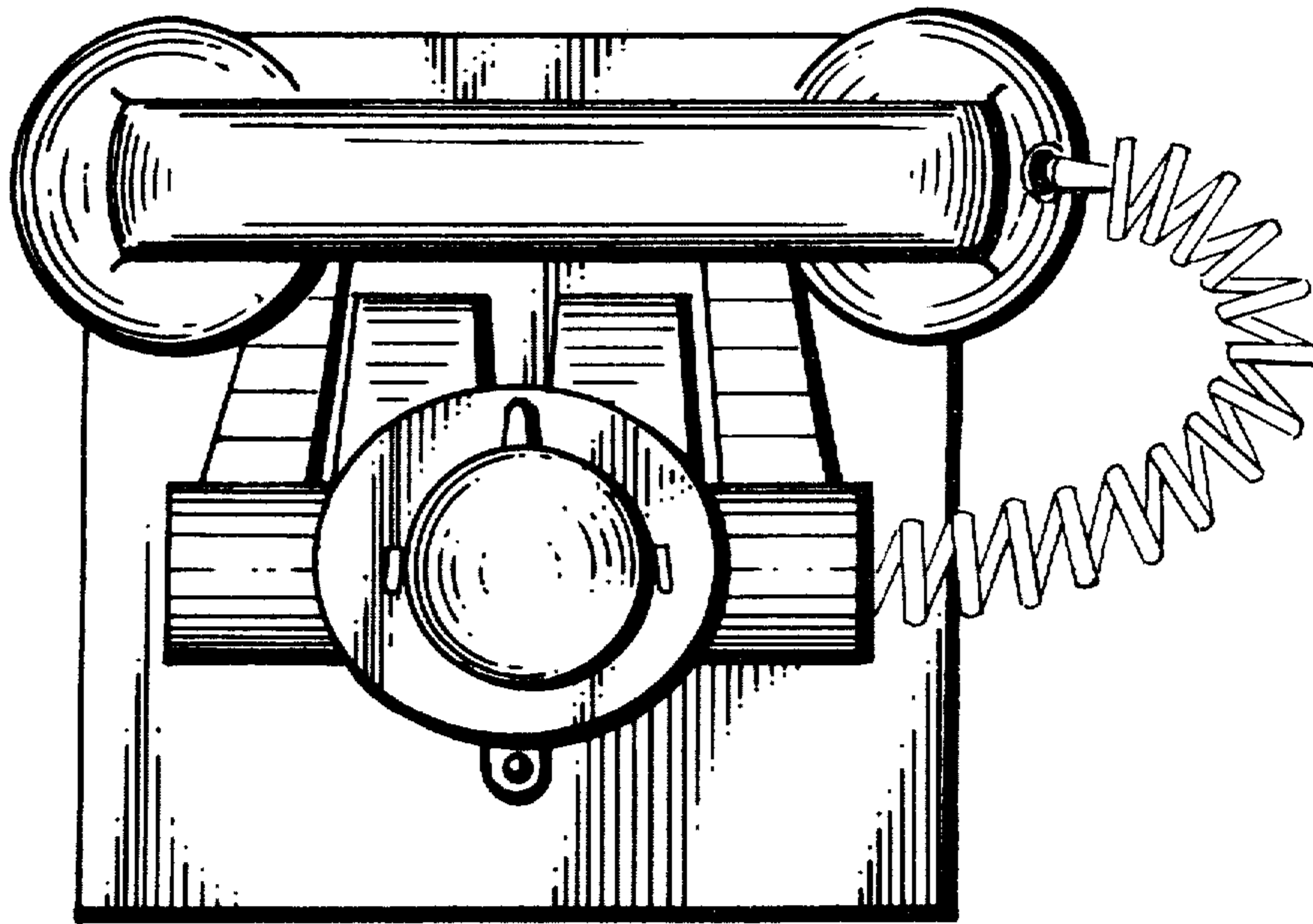
Primary Examiner—Bernard Ansher
Attorney, Agent, or Firm—Keith D. Beecher

[57] CLAIM

The ornamental design for a telephone, substantially as shown.

DESCRIPTION

FIG. 1 is a top plan view of a telephone showing my new design;
FIG. 2 is a rear elevation thereof;
FIG. 3 is a side elevational thereof; and
FIG. 4 is a front perspective view, with the handset removed from the telephone base.



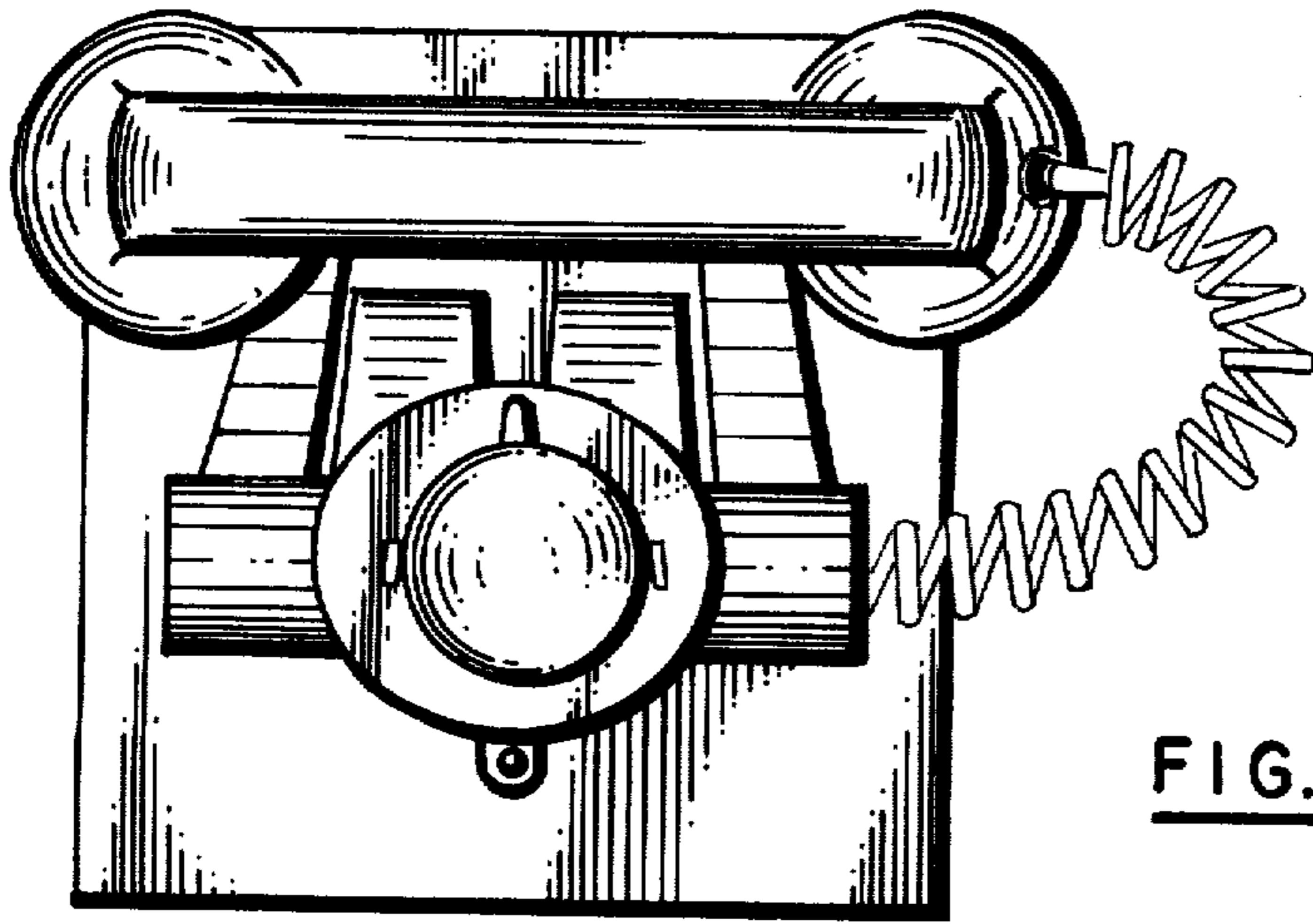


FIG. 1

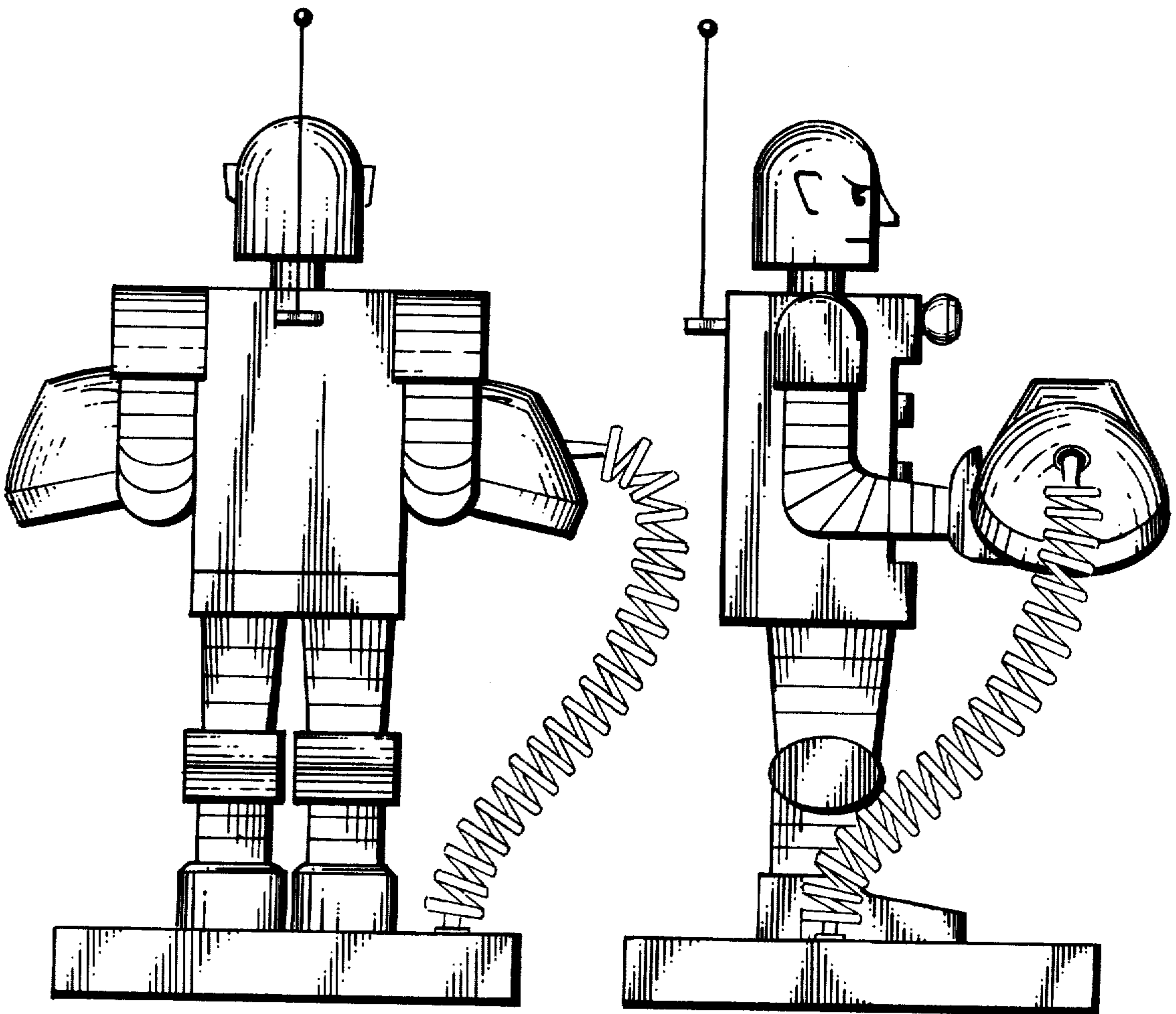


FIG. 2

FIG. 3

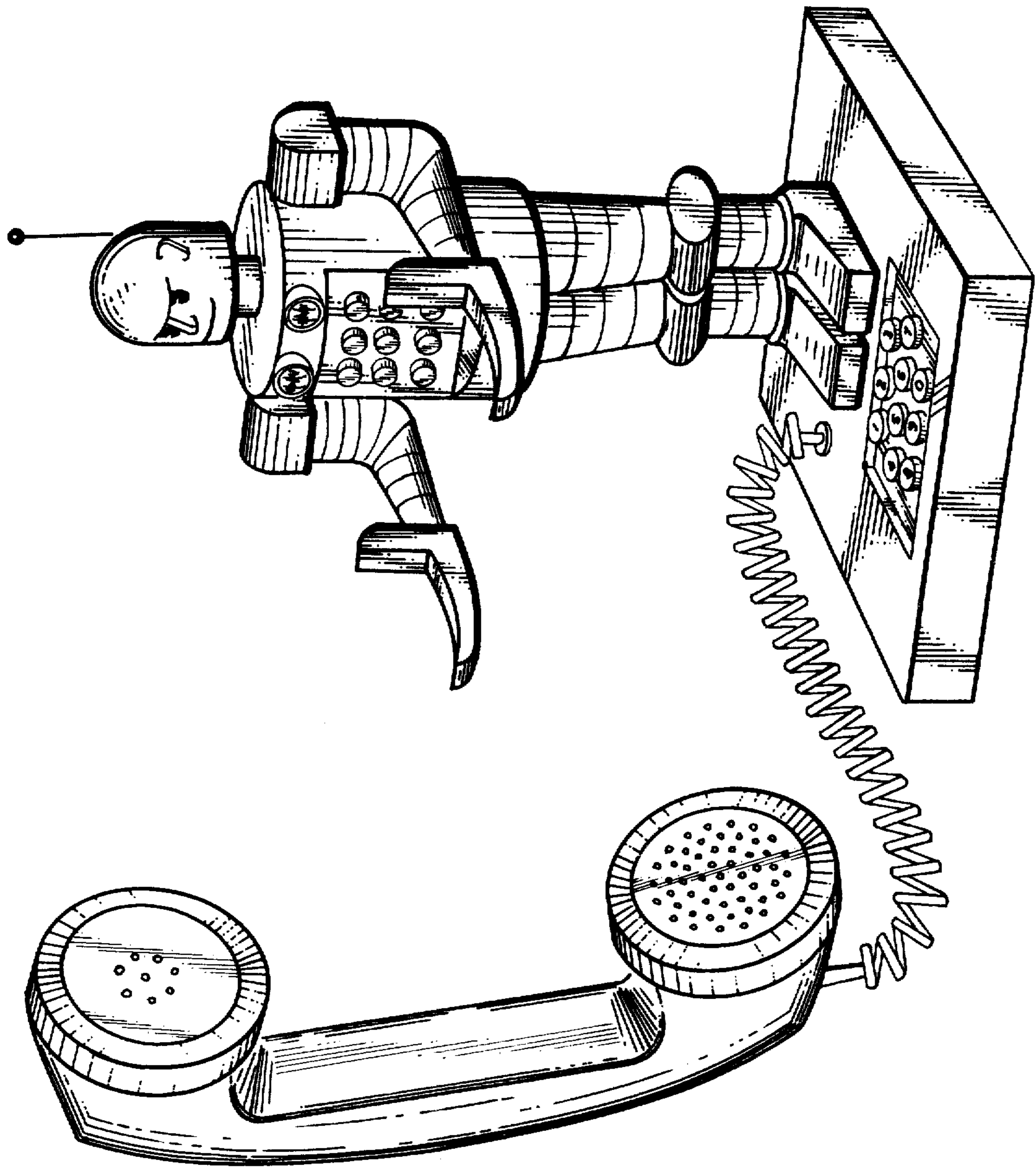


FIG. 4