

[54] COMMUNICATION RECEPTACLE BLOCK HAVING SNAP MOUNTING LUGS

[75] Inventors: Curtis A. Sampson; Ronald W. Wiseheart, both of Hector; Daniel Meyer, Rochester, all of Minn.

[73] Assignee: Communications Systems, Inc., Hector, Minn.

[21] Appl. No.: 273,657

[22] Filed: Jun. 15, 1981

[51] Int. Cl. D13-03

[52] U.S. Cl. D13/30

[58] Field of Search 339/91 R, 126 R, 156 R, 339/176 M; D13/24, 27, 28, 29, 30; 179/1 PC

[56] References Cited

U.S. PATENT DOCUMENTS

- 4,040,699 8/1977 Rasmussen 339/91 R
- 4,088,384 5/1978 Gumb 339/91 R X

Primary Examiner—Susan J. Lucas
Attorney, Agent, or Firm—Kinney, Lange, Braddock, Westman and Fairbairn

[57] CLAIM

The ornamental design for a communication receptacle block having snap mounting lugs, as shown and described.

DESCRIPTION

FIG. 1 is a front perspective view of a communication receptacle block having snap mounting lugs embodying our new design;

FIG. 2 is a rear perspective view thereof;

FIG. 3 is a front elevational view thereof on an enlarged scale;

FIG. 4 is a rear elevational view thereof on an enlarged scale;

FIG. 5 is a top plan view thereof on an enlarged scale;

FIG. 6 is a bottom plan view thereof on an enlarged scale;

FIG. 7 is a right side elevational view thereof on an enlarged scale.

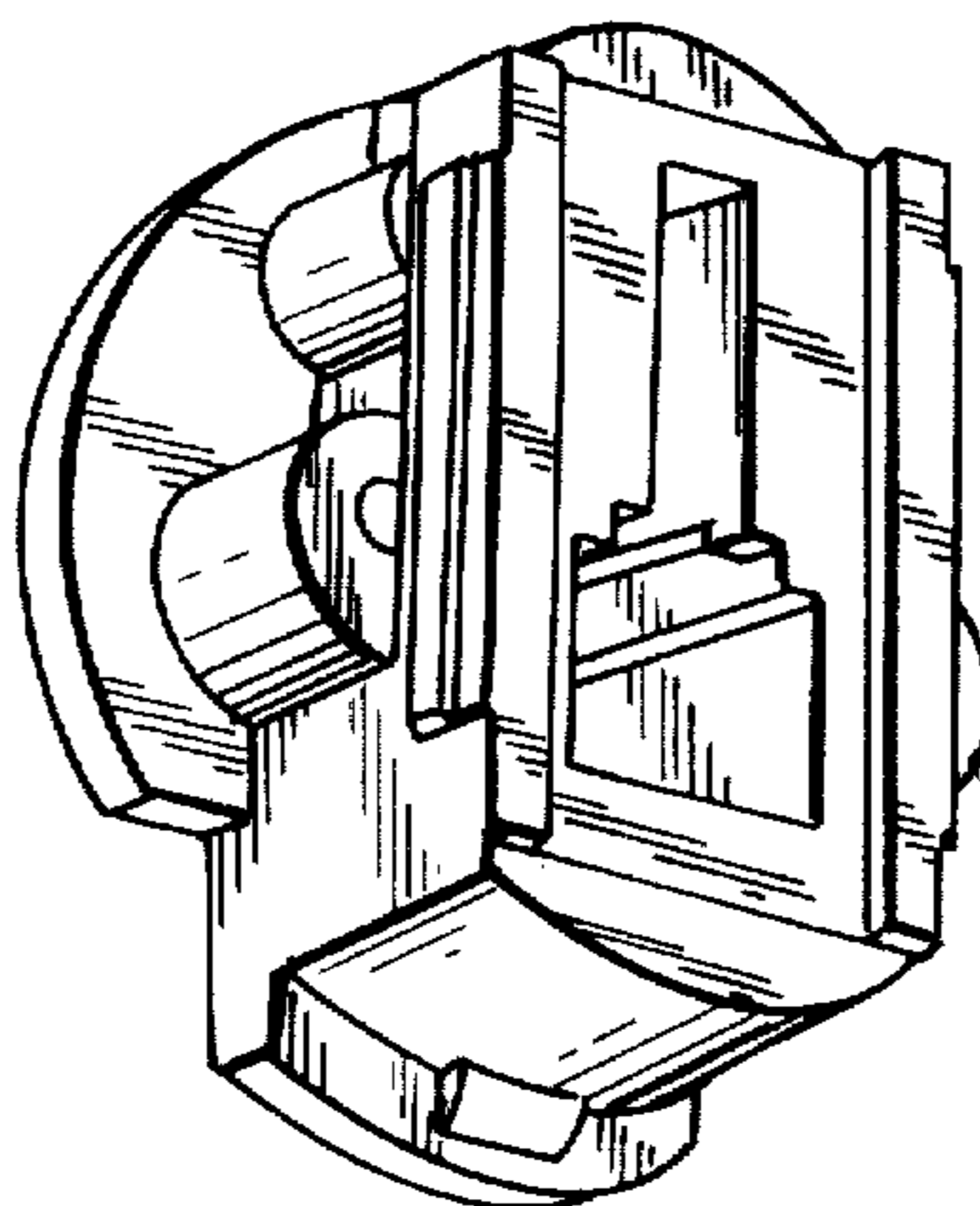


Fig. 1

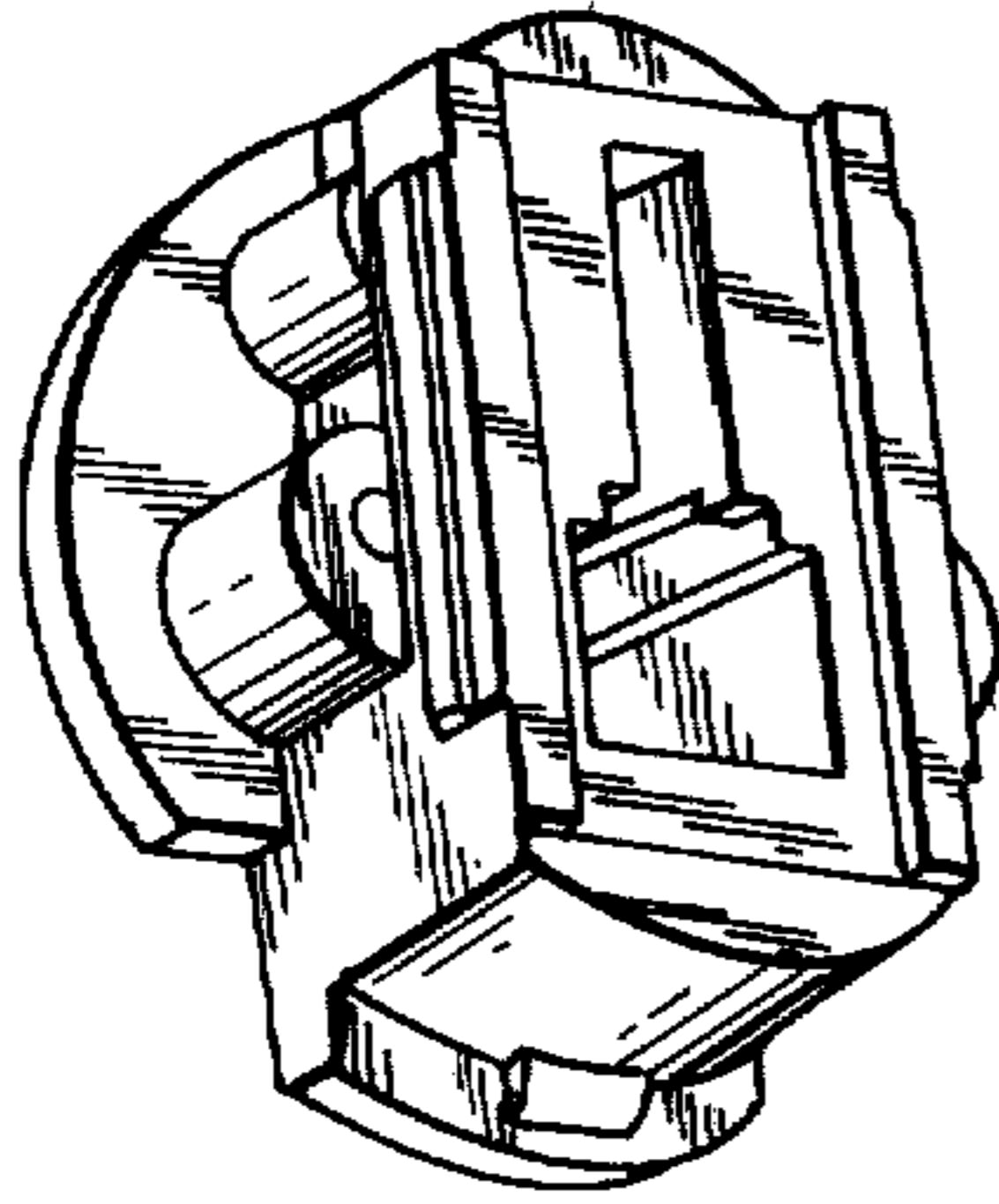


Fig. 2

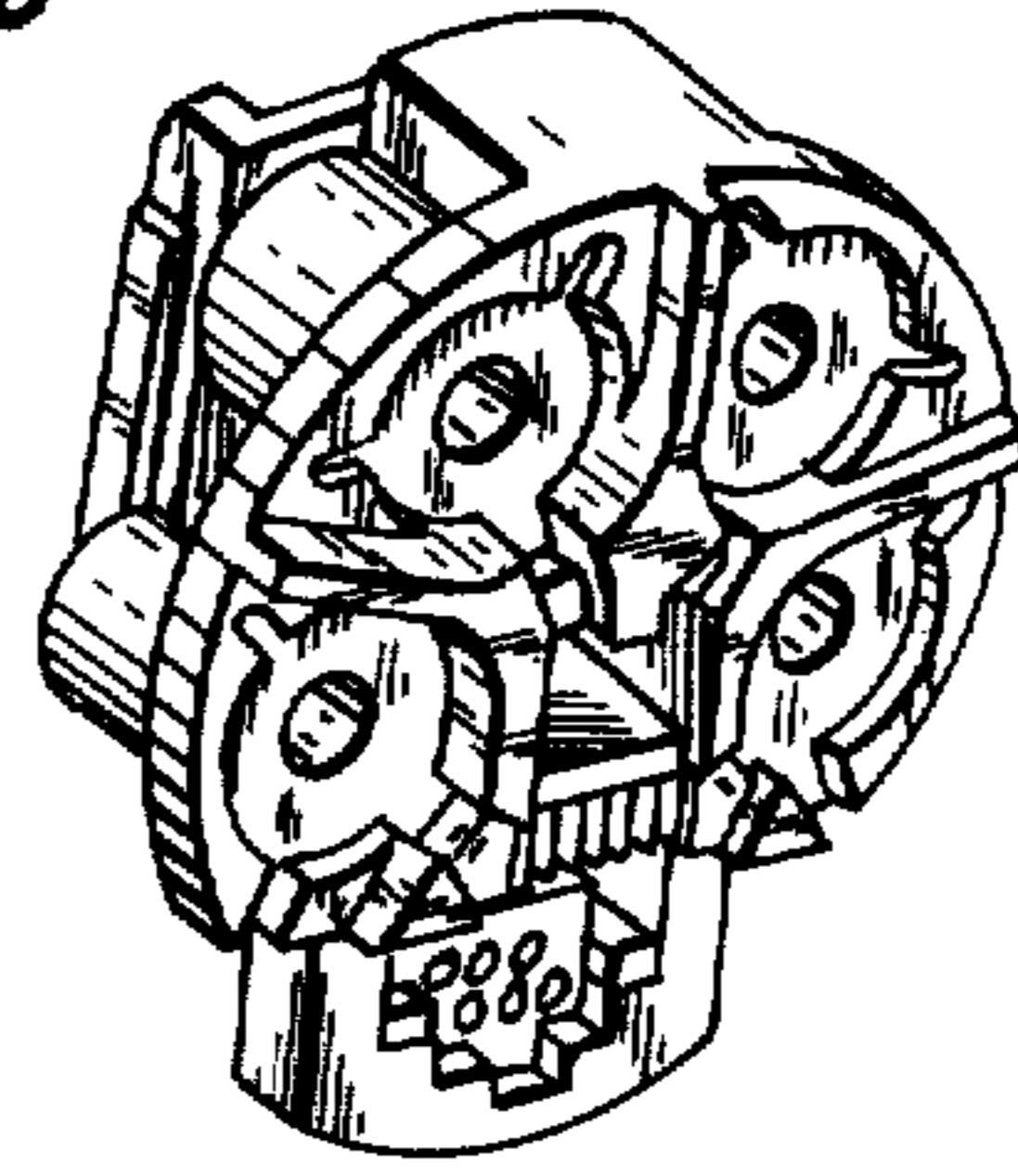


Fig. 3

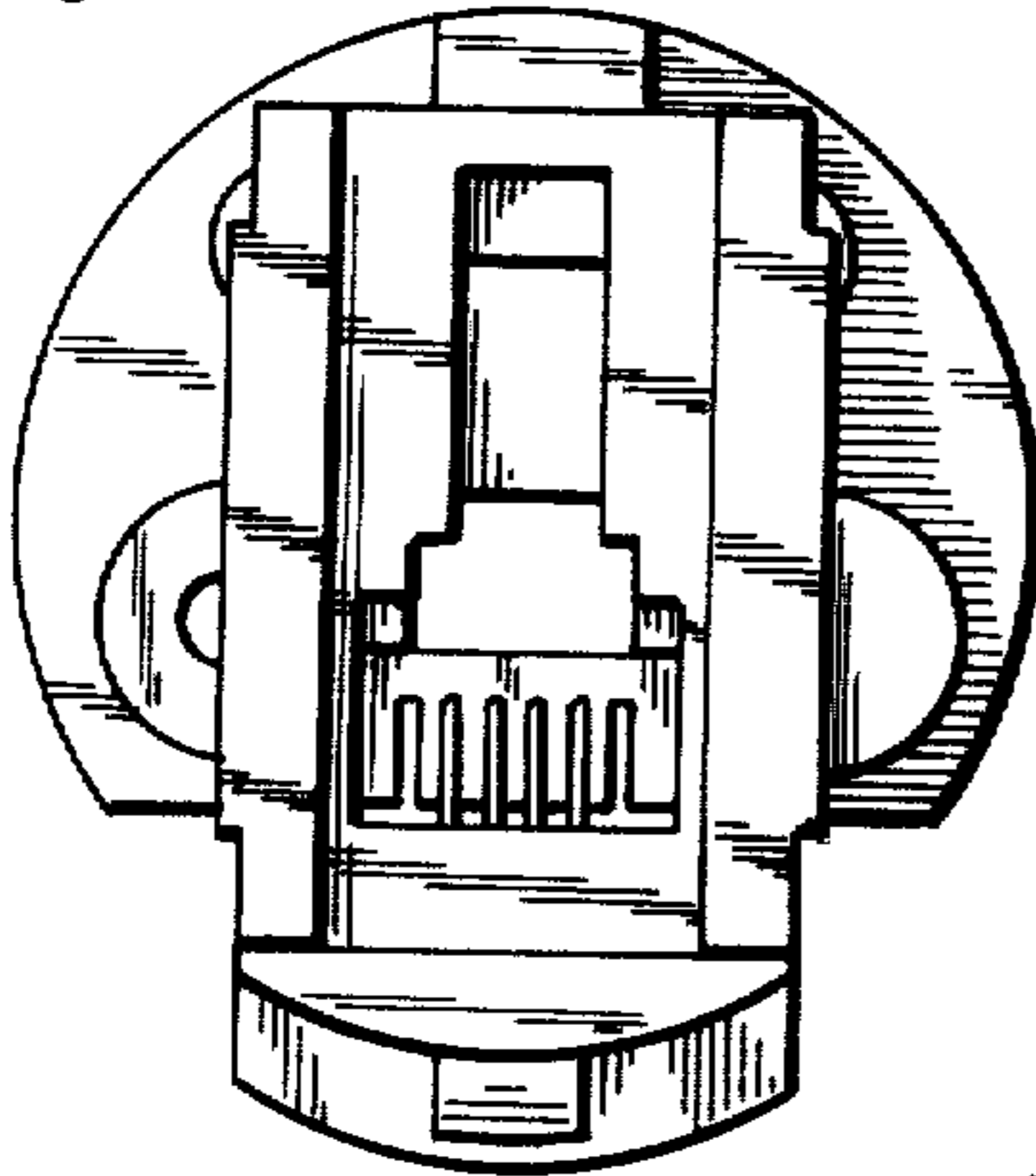


Fig. 4

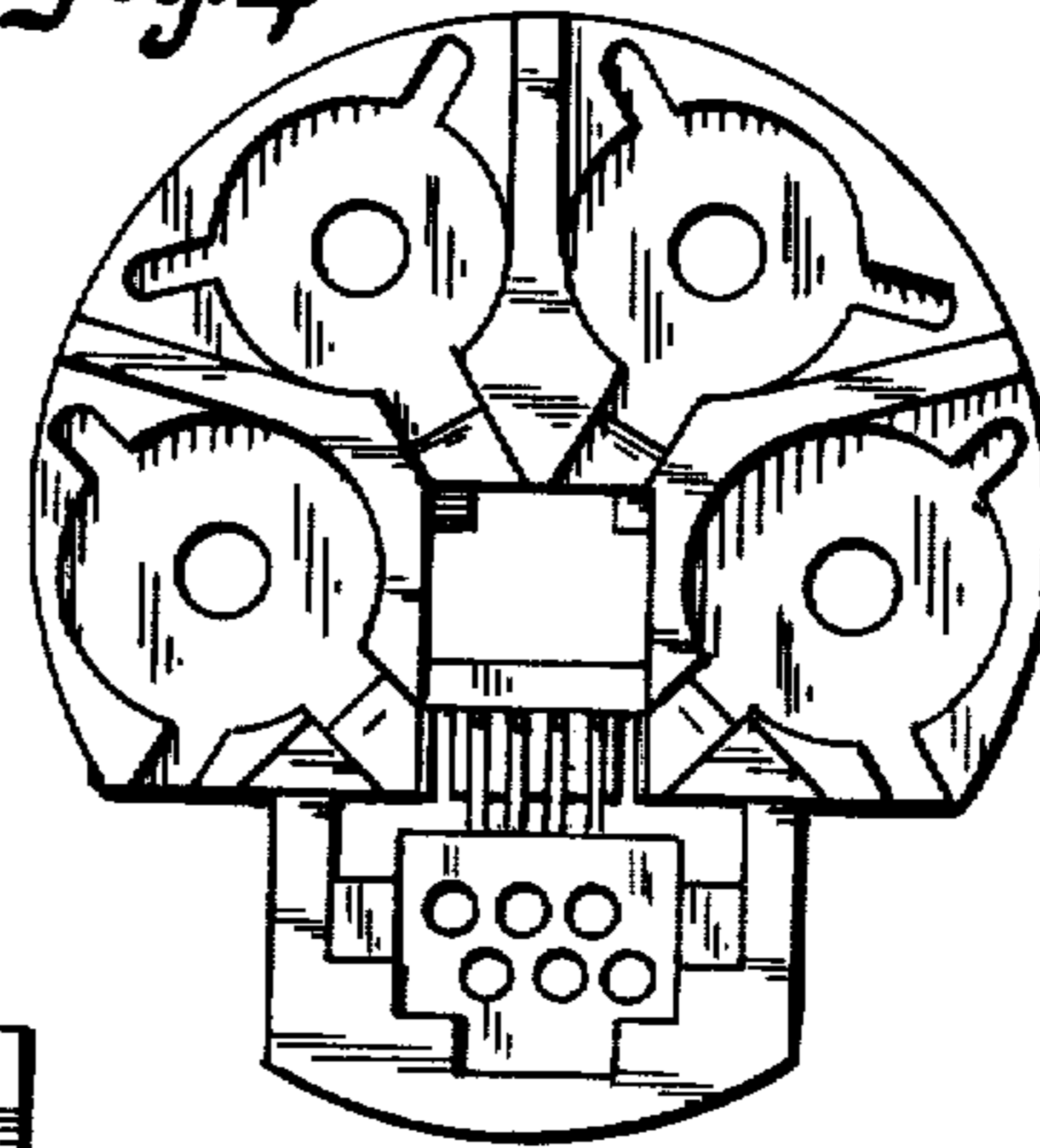


Fig. 7

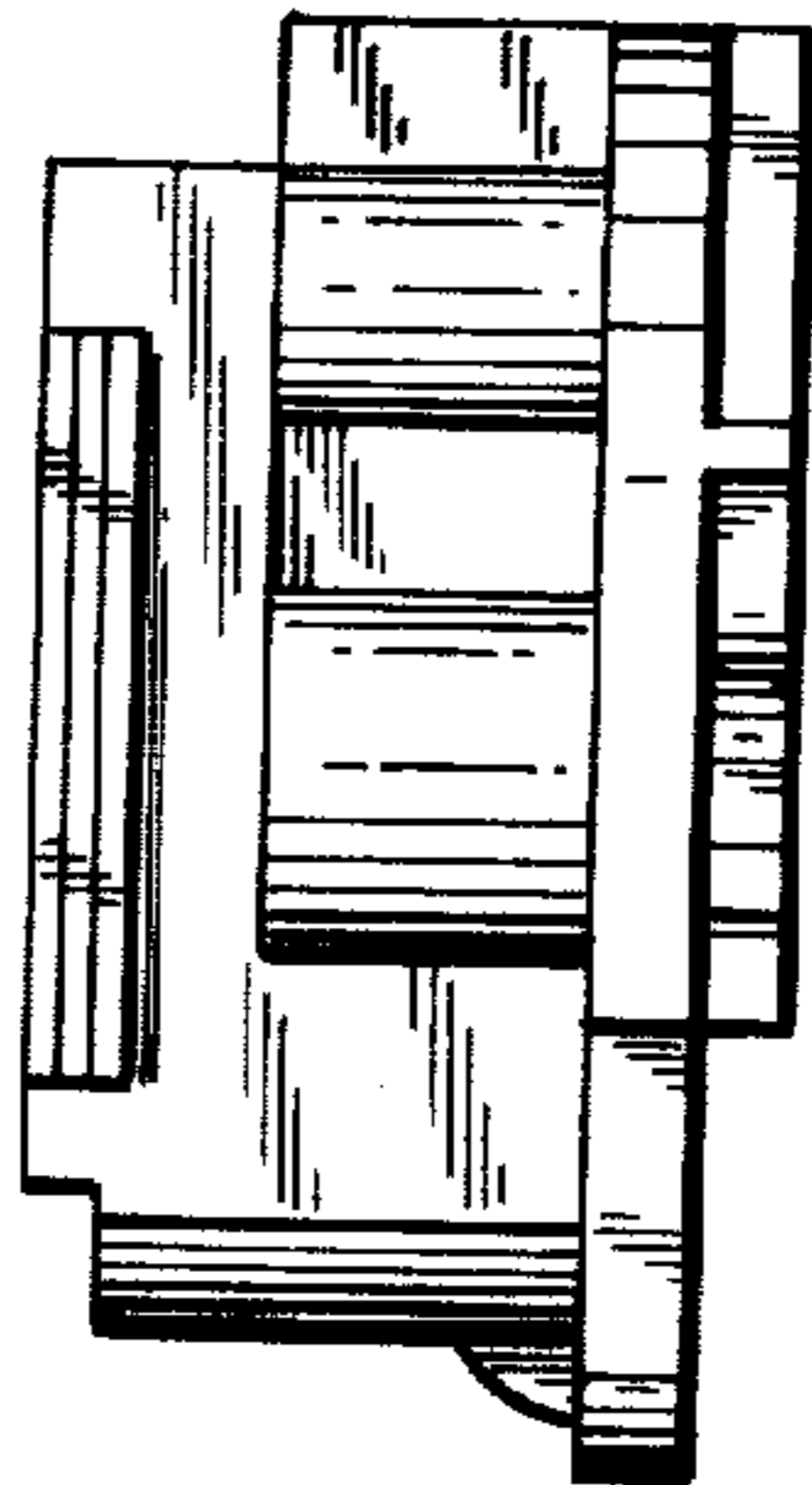


Fig. 5

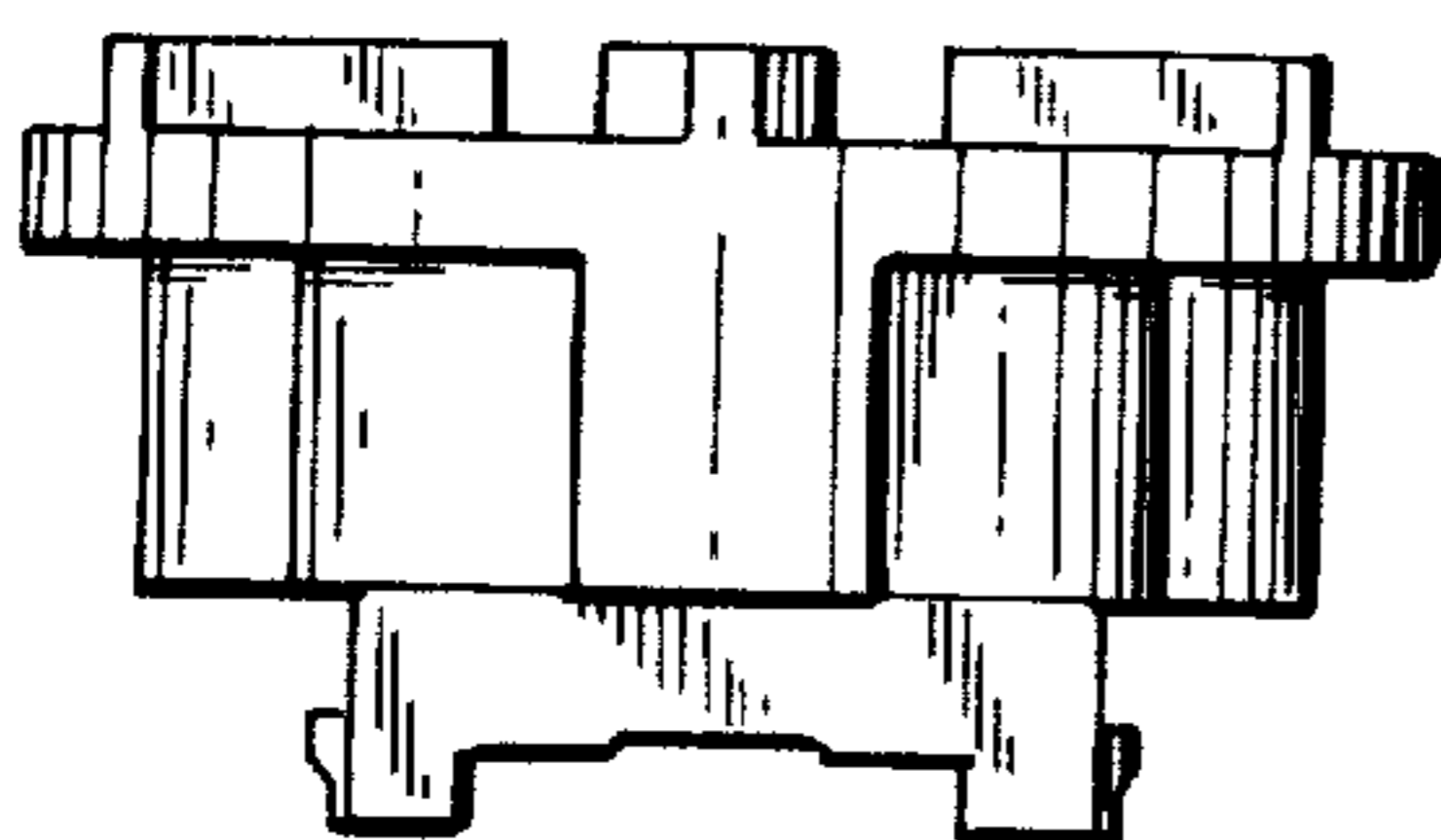


Fig. 6

