

[54] **DIGITAL WATCH CASE**

[75] Inventor: **James F. McCormick**, Tempe, Ariz.

[73] Assignee: **Amba Marketing Systems, Inc.**,  
Tempe, Ariz.

[21] Appl. No.: **271,542**

[22] Filed: **Jun. 8, 1981**

[51] Int. Cl. .... **D10-02**

[52] U.S. Cl. .... **D10/30; D10/15;**  
D10/38

[58] Field of Search ..... D10/15, 22-23,  
D10/38, 39, 128-129, 122-126, 30; 368/80-82,  
239-242, 280-282, 285, 229

[56] **References Cited**

**U.S. PATENT DOCUMENTS**

- D. 229,213 11/1973 Sasaki ..... D10/15 X
- D. 242,029 10/1976 Terada ..... D10/15
- D. 262,608 1/1982 Drobshoff ..... D10/15

**OTHER PUBLICATIONS**

*Supplement to Home Furnishings Daily*-6/14/76-West--  
Clox ®, Quartzmatic AD Pendant Watch at bottom  
left.

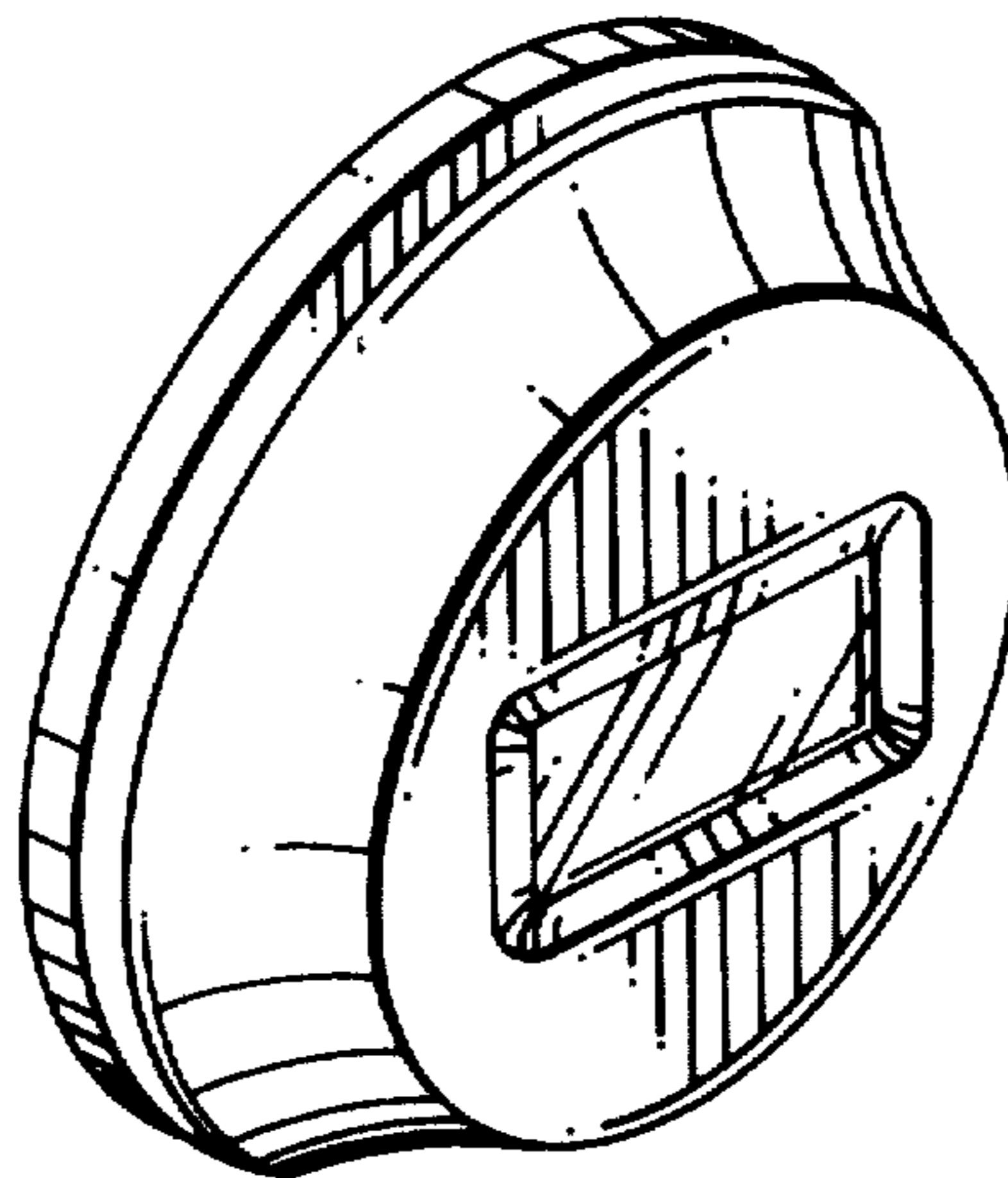
*Primary Examiner*—Nelson C. Holtje  
*Attorney, Agent, or Firm*—Gregory J. Nelson

[57] **CLAIM**

The ornamental design for a digital watch case, as  
shown.

**DESCRIPTION**

FIG. 1 is a top and left front perspective view of a  
digital watch case showing my new design;  
FIG. 2 is a bottom and left rear perspective view  
thereof;  
FIG. 3 is a front elevational view thereof;  
FIG. 4 is a left side elevational view thereof;  
FIG. 5 is a rear elevational view thereof;  
FIG. 6 is an exploded perspective view thereof;  
FIG. 7 is an exploded side elevational view thereof.



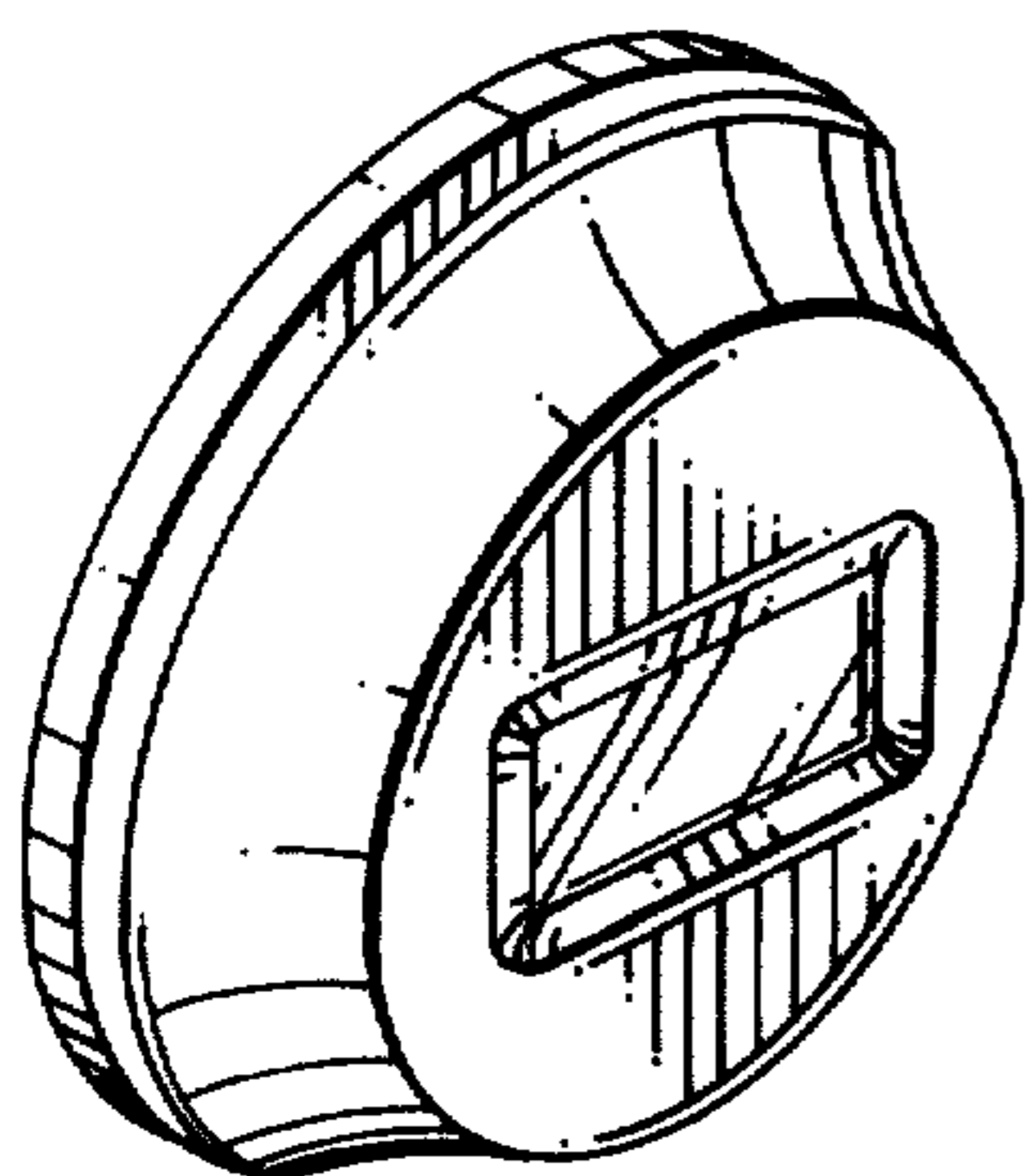


FIG. 1

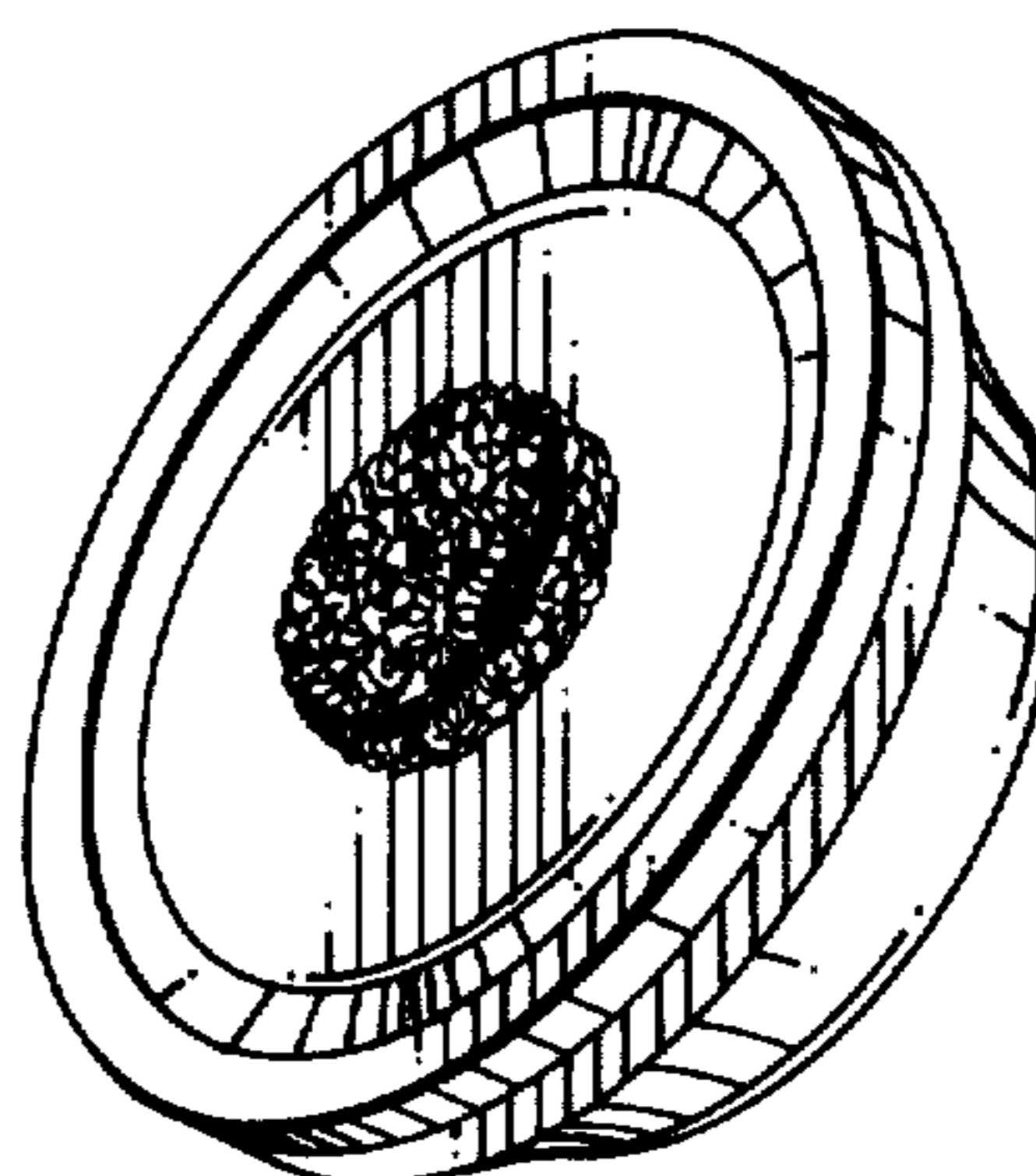


FIG. 2

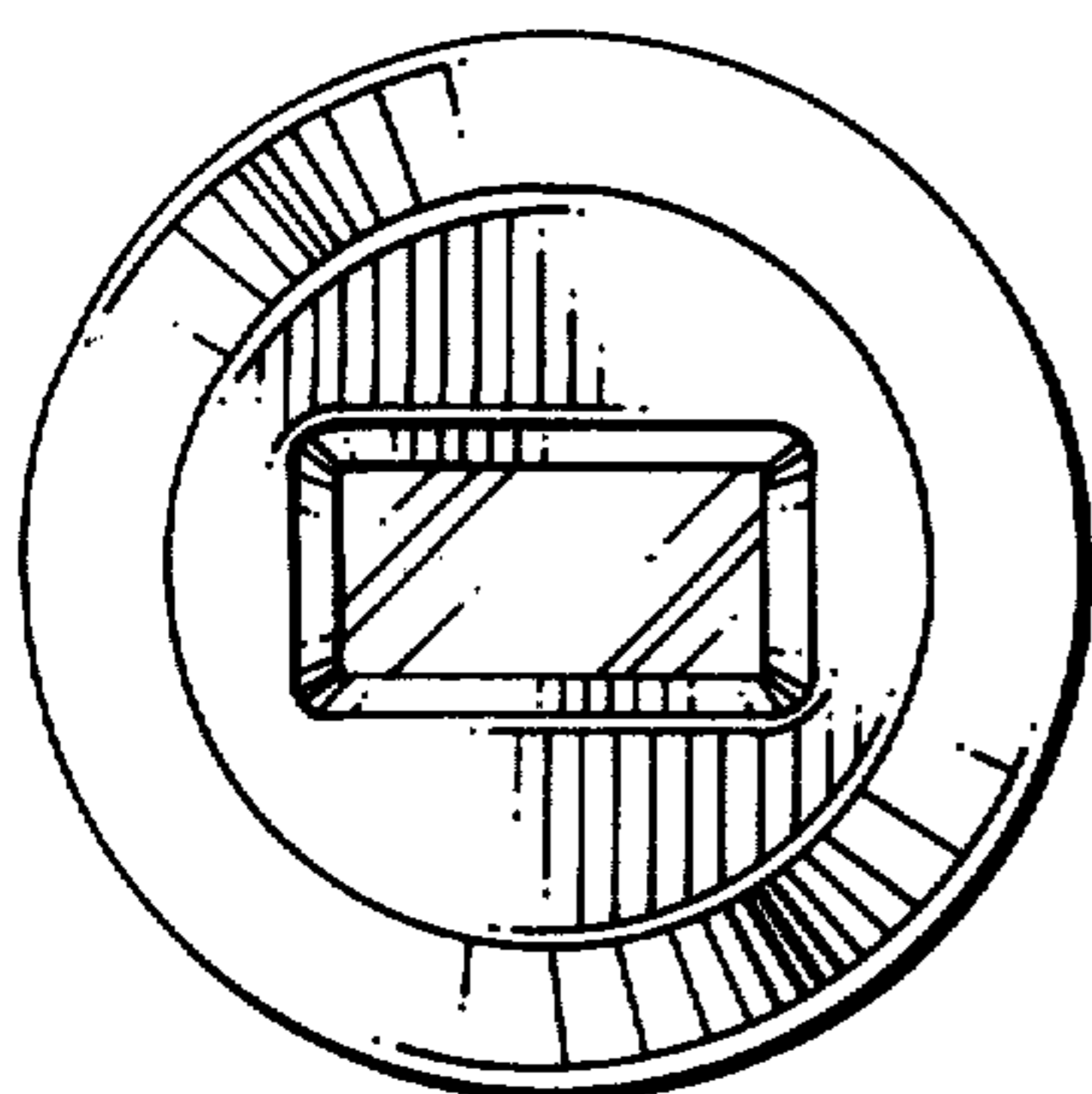


FIG. 3

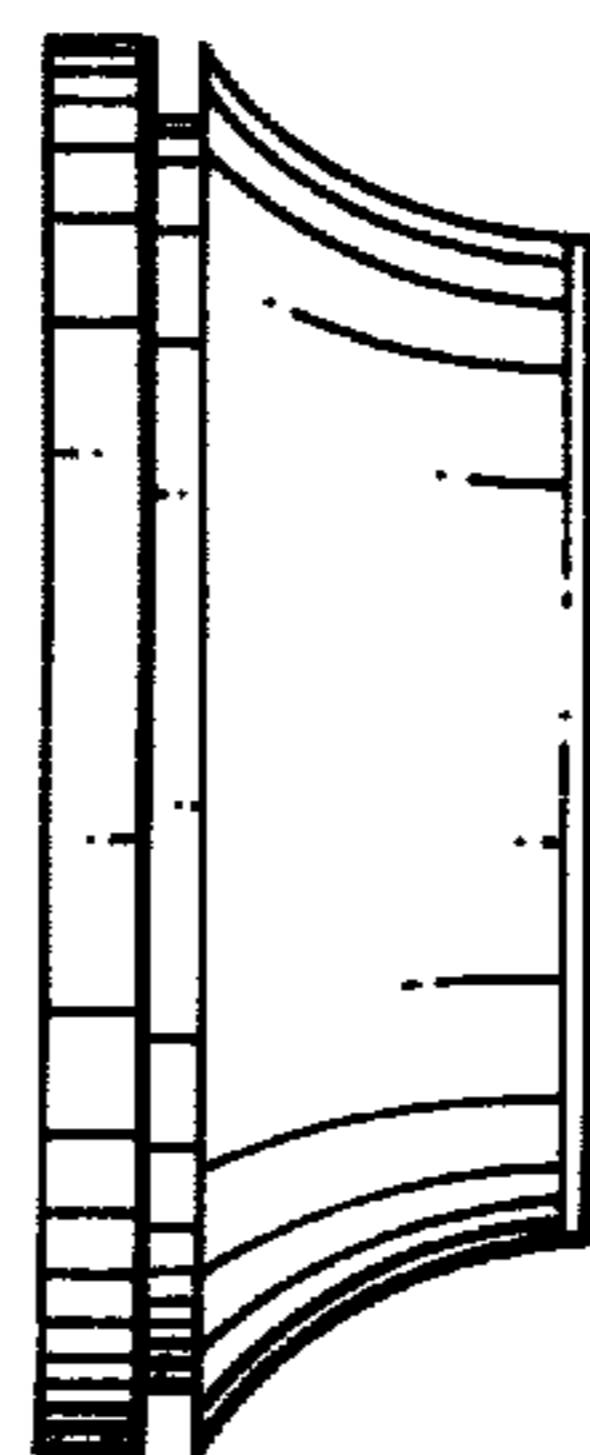


FIG. 4

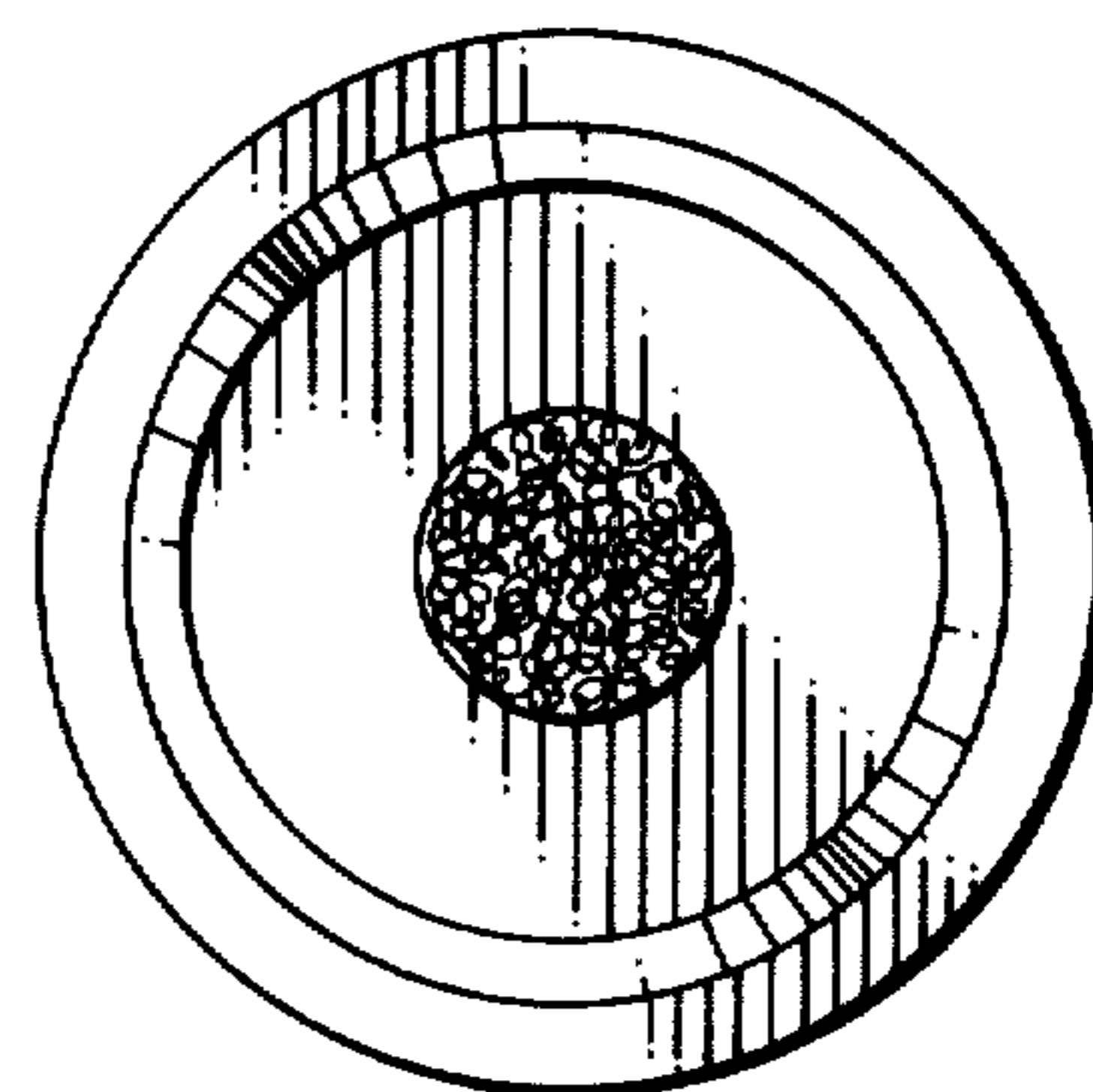


FIG. 5

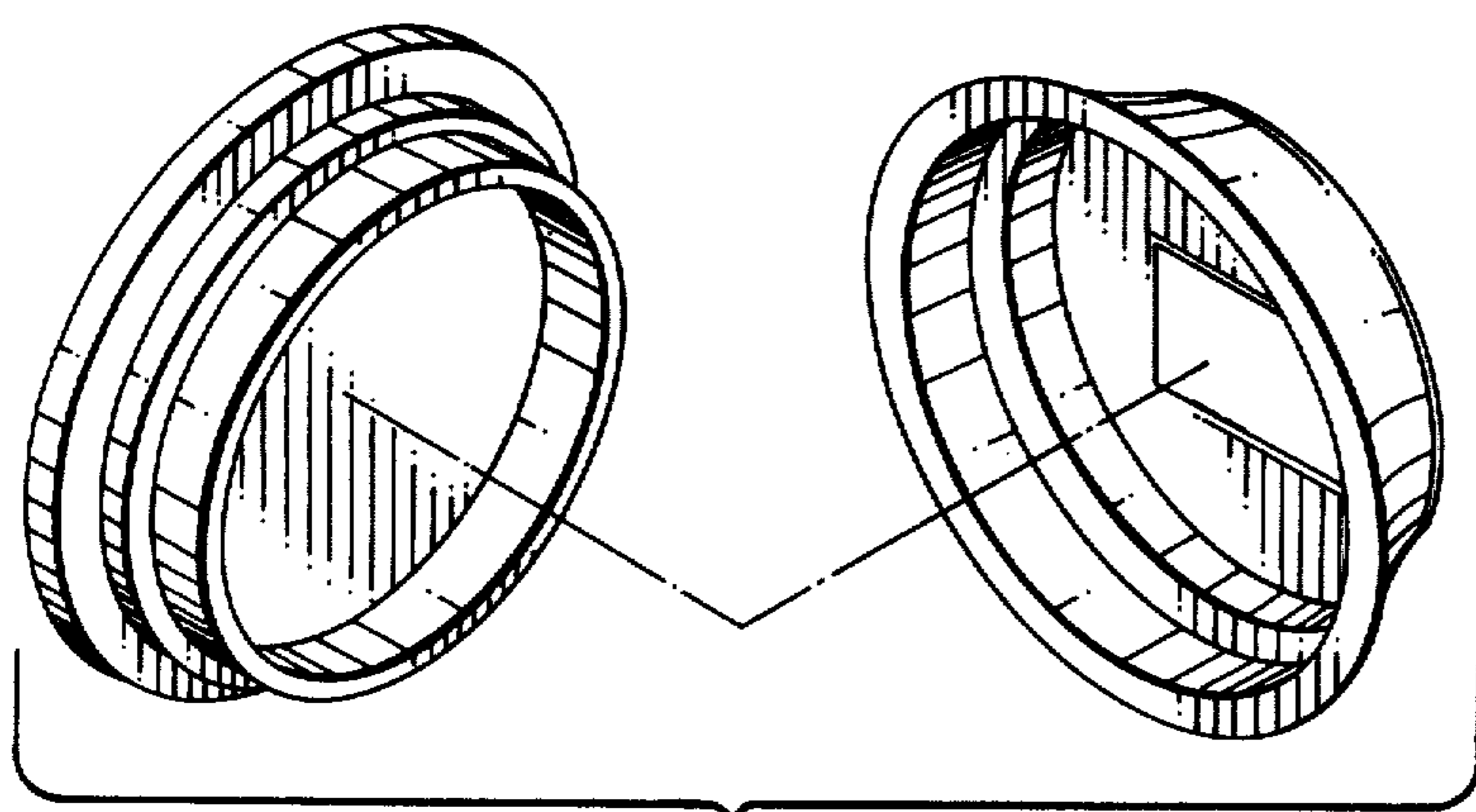


FIG. 6

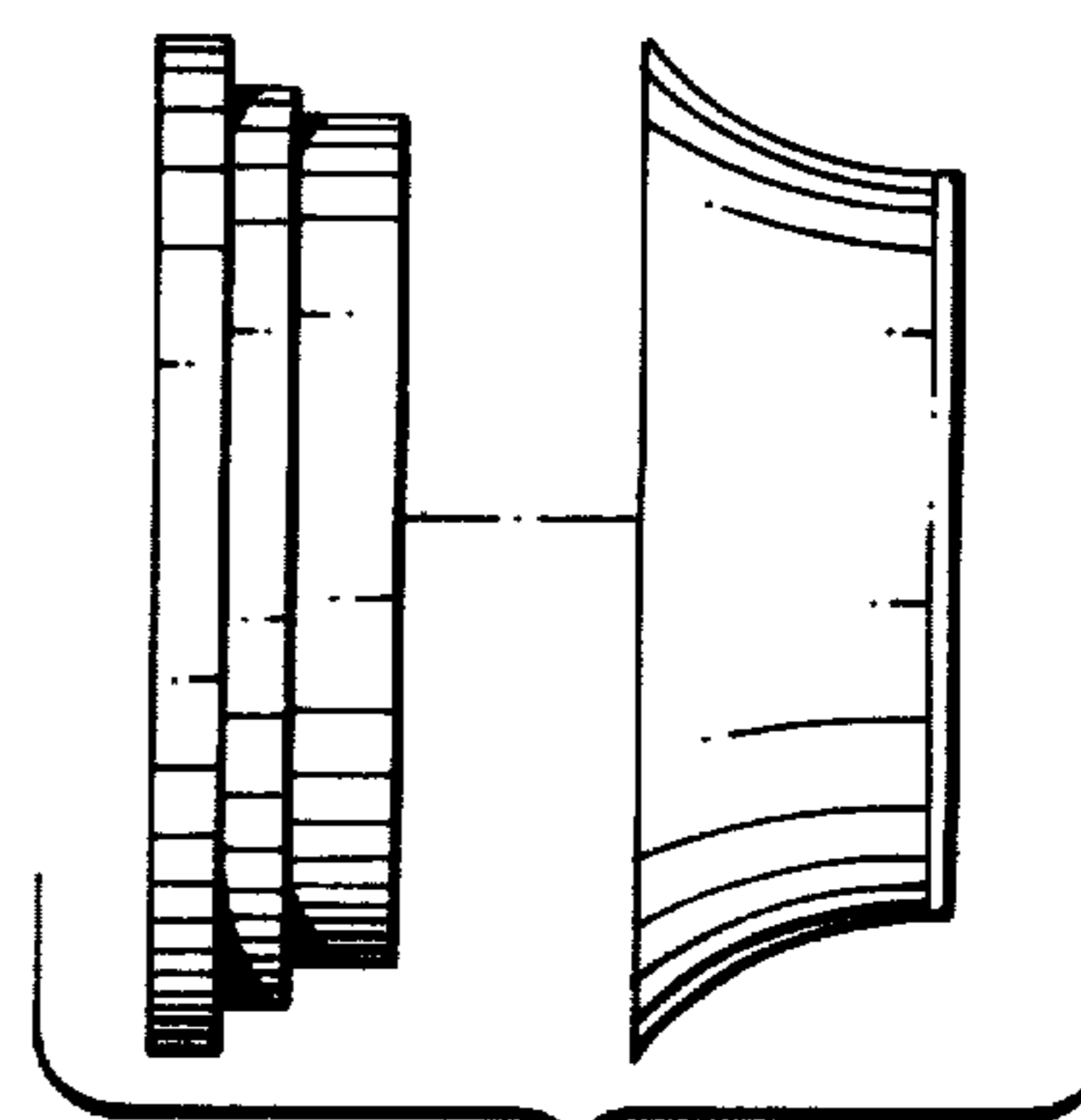


FIG. 7