

[54] **DUAL COMPARTMENT CONTAINER**

[75] Inventor: **Borge T. Hestehave, Ontario, Calif.**

[73] Assignee: **Bomatic, Inc., Ontario, Calif.**

[21] Appl. No.: **251,999**

[22] Filed: **Apr. 8, 1981**

[51] Int. Cl. **D9-01**

[52] U.S. Cl. **D9/341; D9/374;
D9/381**

[58] Field of Search **D9/341, 376, 374, 378-383;
215/1 R, 1 C, 6**

[56] **References Cited**

U.S. PATENT DOCUMENTS

D. 194,486 1/1963 Hill D9/374

D. 214,995 8/1969 Shutt D9/374
3,658,204 4/1972 Bottger D9/341 X

Primary Examiner—Robert C. Spangler
Attorney, Agent, or Firm—Antonelli, Terry & Wands

[57] **CLAIM**

The ornamental design for a dual compartment container, as shown and described.

DESCRIPTION

FIG. 1 is a right front perspective view of a dual compartment container showing my new design;
FIG. 2 is a side elevational view, the opposite side being a mirror image thereof;
FIG. 3 is an end elevational view, the opposite end being the same in appearance;
FIG. 4 is a top plan view; and
FIG. 5 is a bottom plan view thereof.

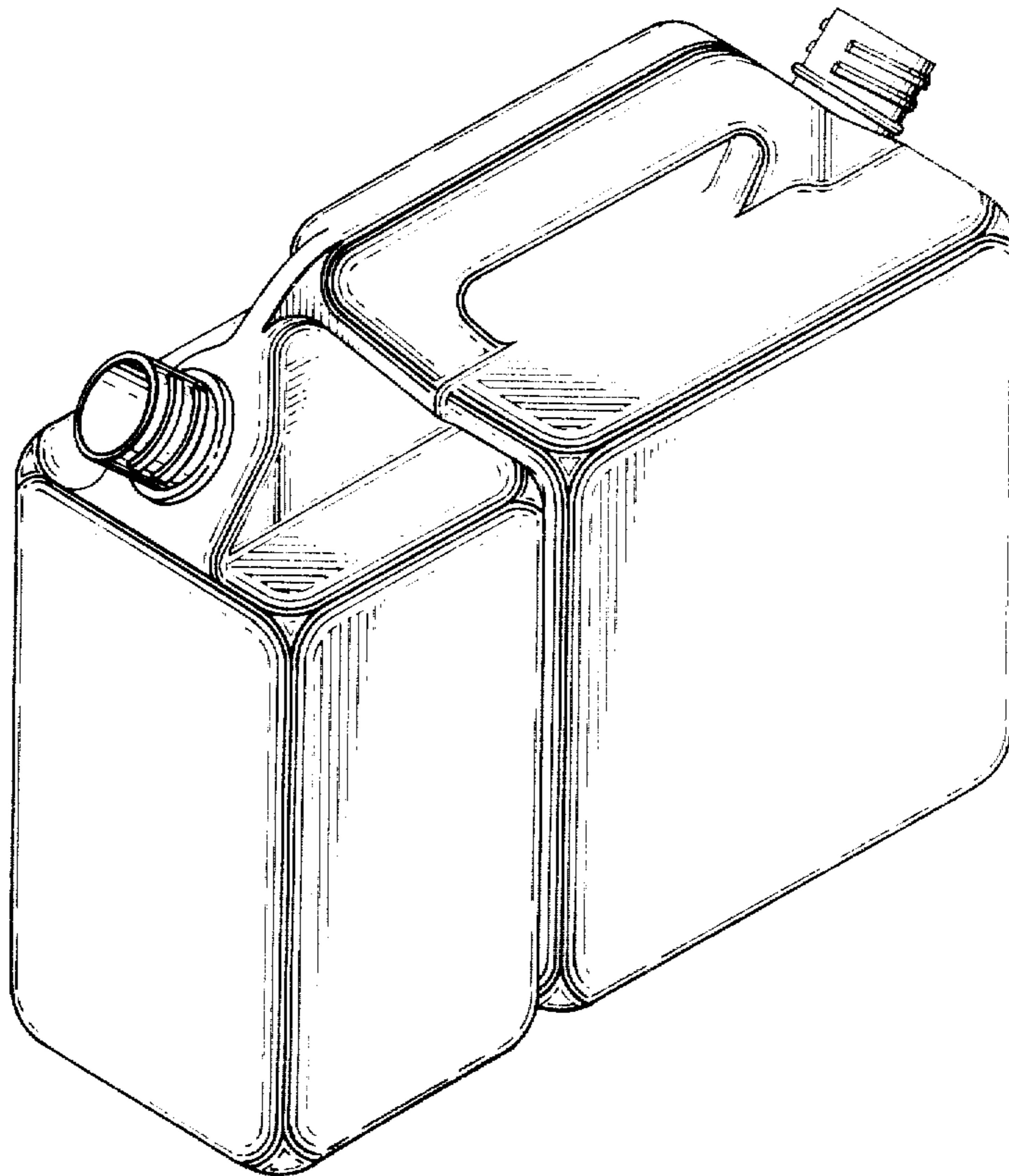


FIG. 1.

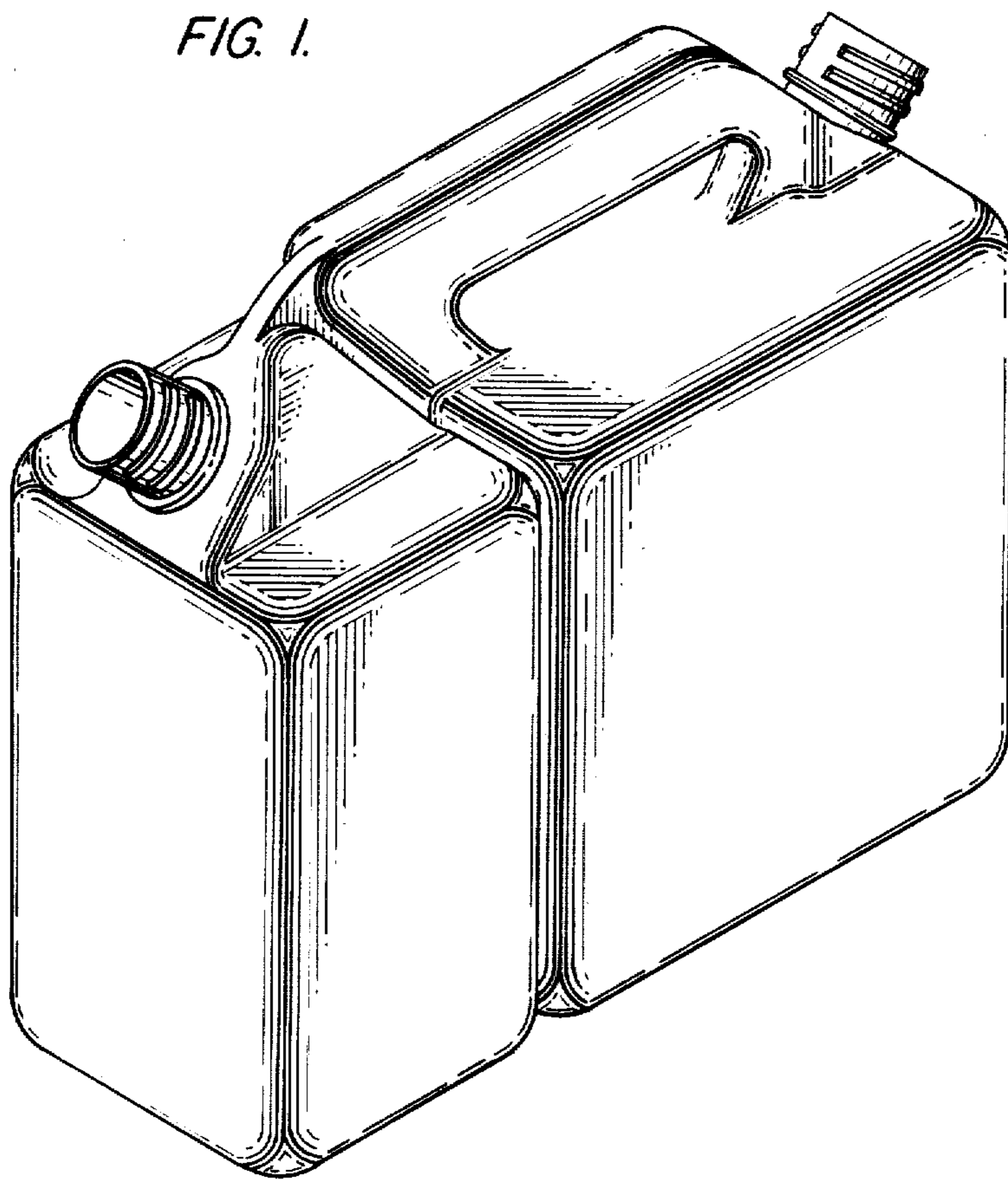


FIG. 2.

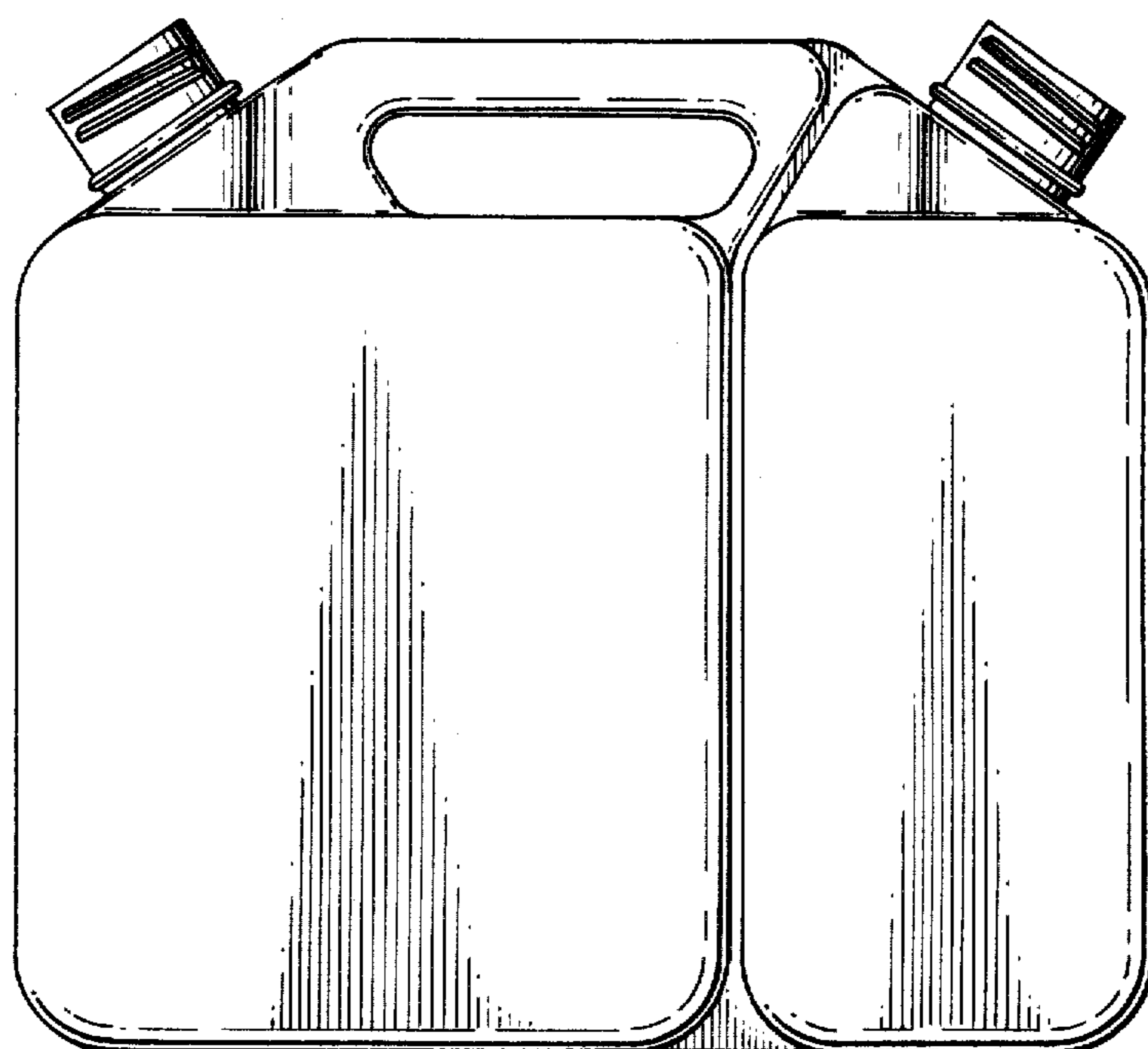


FIG. 3.

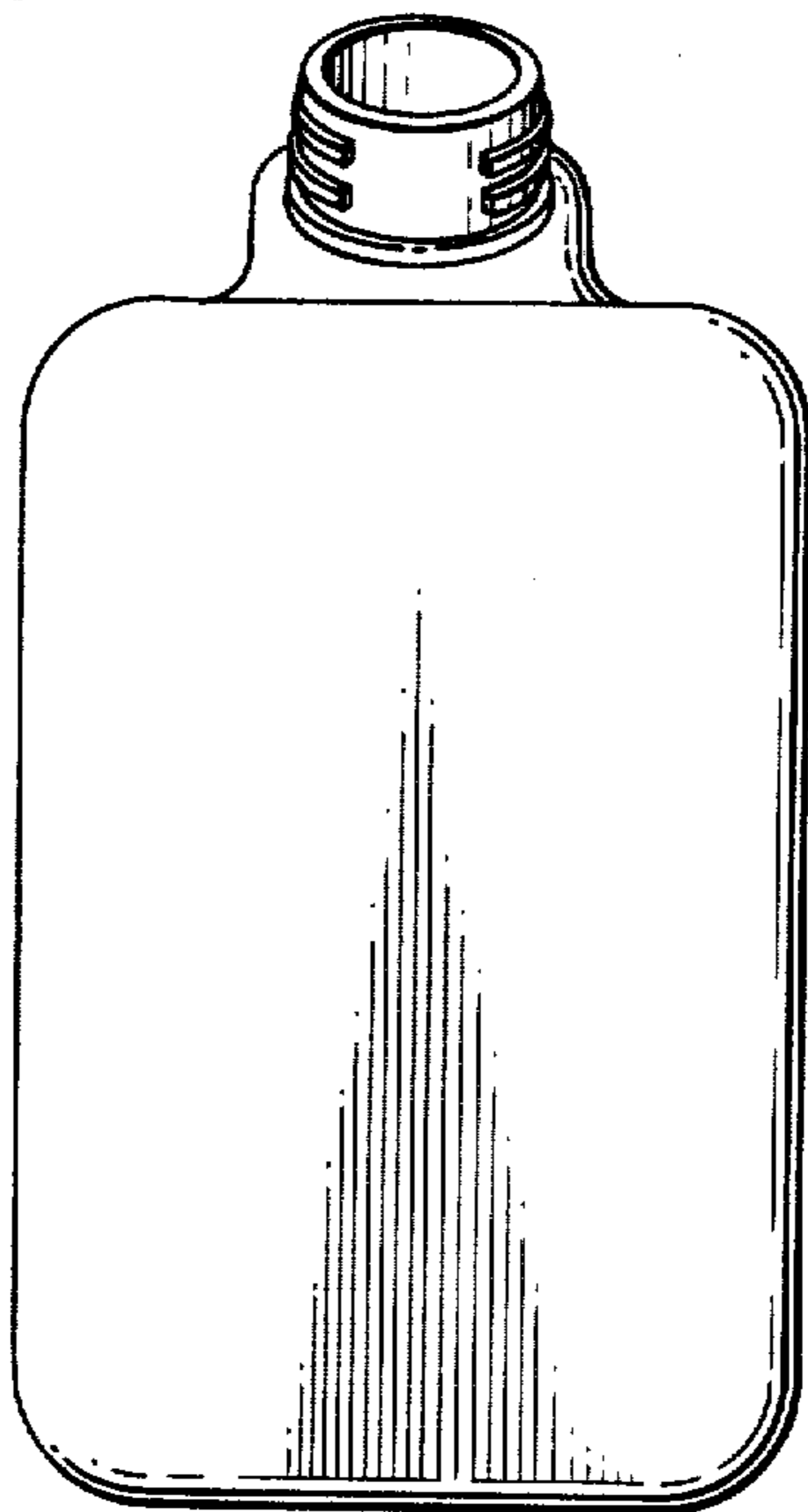


FIG. 4.

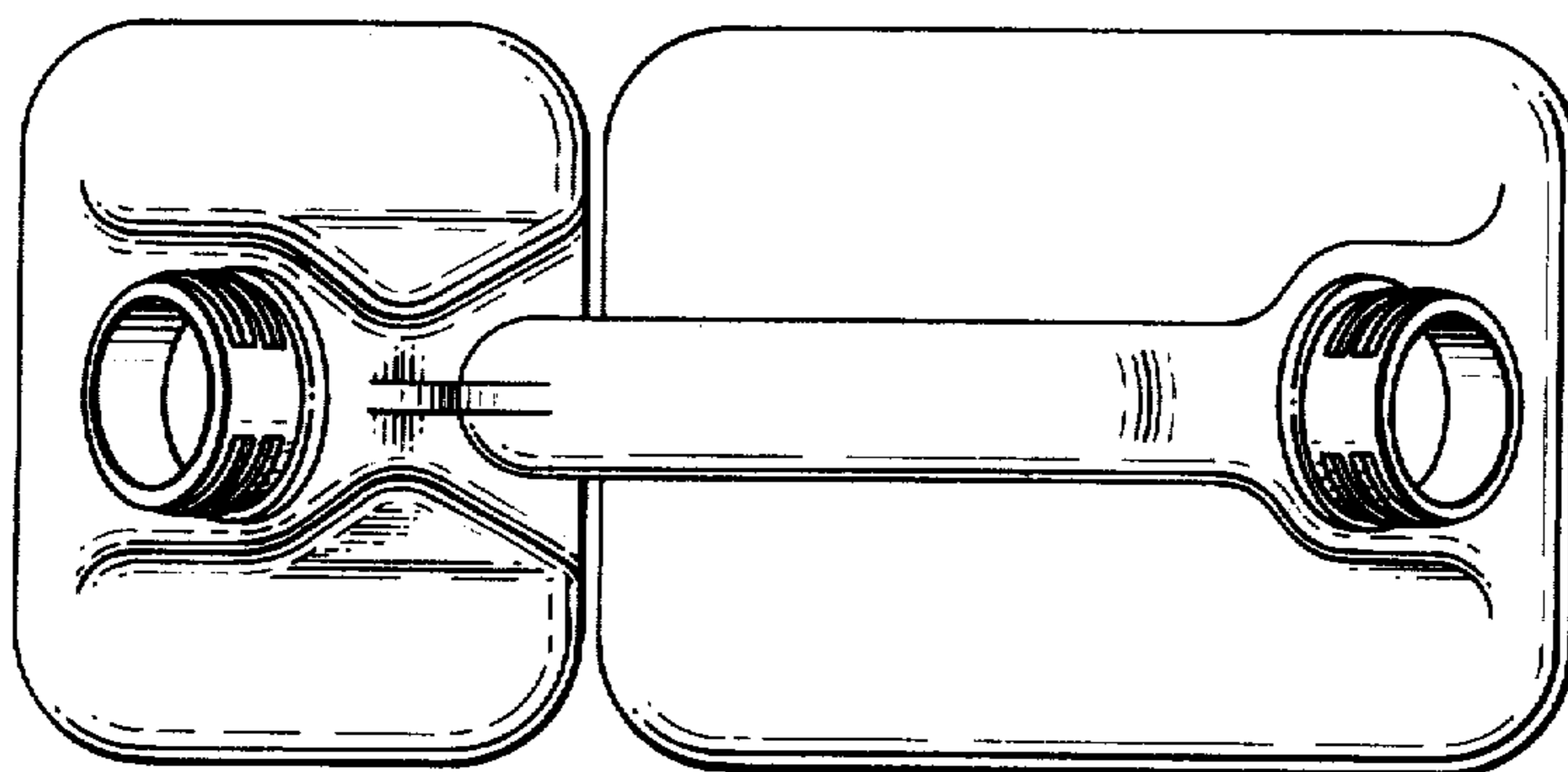


FIG. 5.

