

[54] **DOOR STOP**
[75] Inventor: **Joseph A. Shuster**, North
Huntingdon, Pa.
[73] Assignee: **Shuster's Builders Supplies, Inc.**,
North Huntingdon, Pa.
[21] Appl. No.: **232,903**
[22] Filed: **Feb. 9, 1981**
[51] Int. Cl. **D8-99**
[52] U.S. Cl. **D8/402**
[58] Field of Search **D8/402; 16/82, 86 A;**
292/DIG. 15, 340

2,198,303 4/1940 Chu 16/86 A
2,311,278 2/1943 Johnson 16/86 A
4,209,876 7/1980 Wilzig et al. 16/82

Primary Examiner—**B. J. Bullock**
Attorney, Agent, or Firm—**James Irwin**

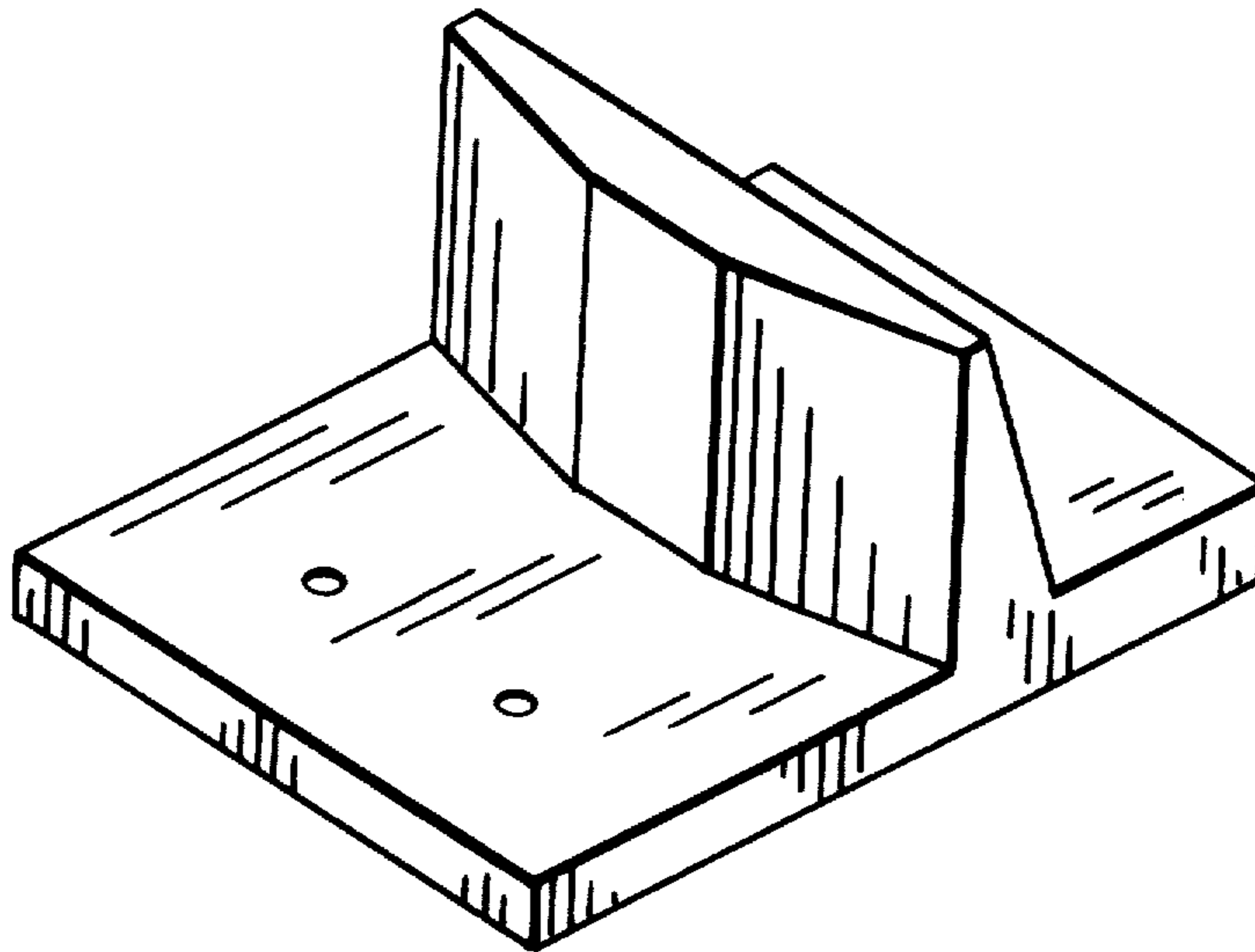
[57] **CLAIM**

The ornamental design for a door stop, substantially as shown and described.

DESCRIPTION

FIG. 1 is an isometric view of a door stop showing my new design;
FIG. 2 is a side elevational view taken from the left of FIG. 1;
FIG. 3 is a top plan view thereof, the bottom being flat and unornamented;
FIG. 4 is a front elevational view thereof;
FIG. 5 is a rear elevational view thereof.

[56] **References Cited**
U.S. PATENT DOCUMENTS
D. 248,212 6/1978 Miller D8/402
595,505 12/1897 Wesling 292/DIG. 15



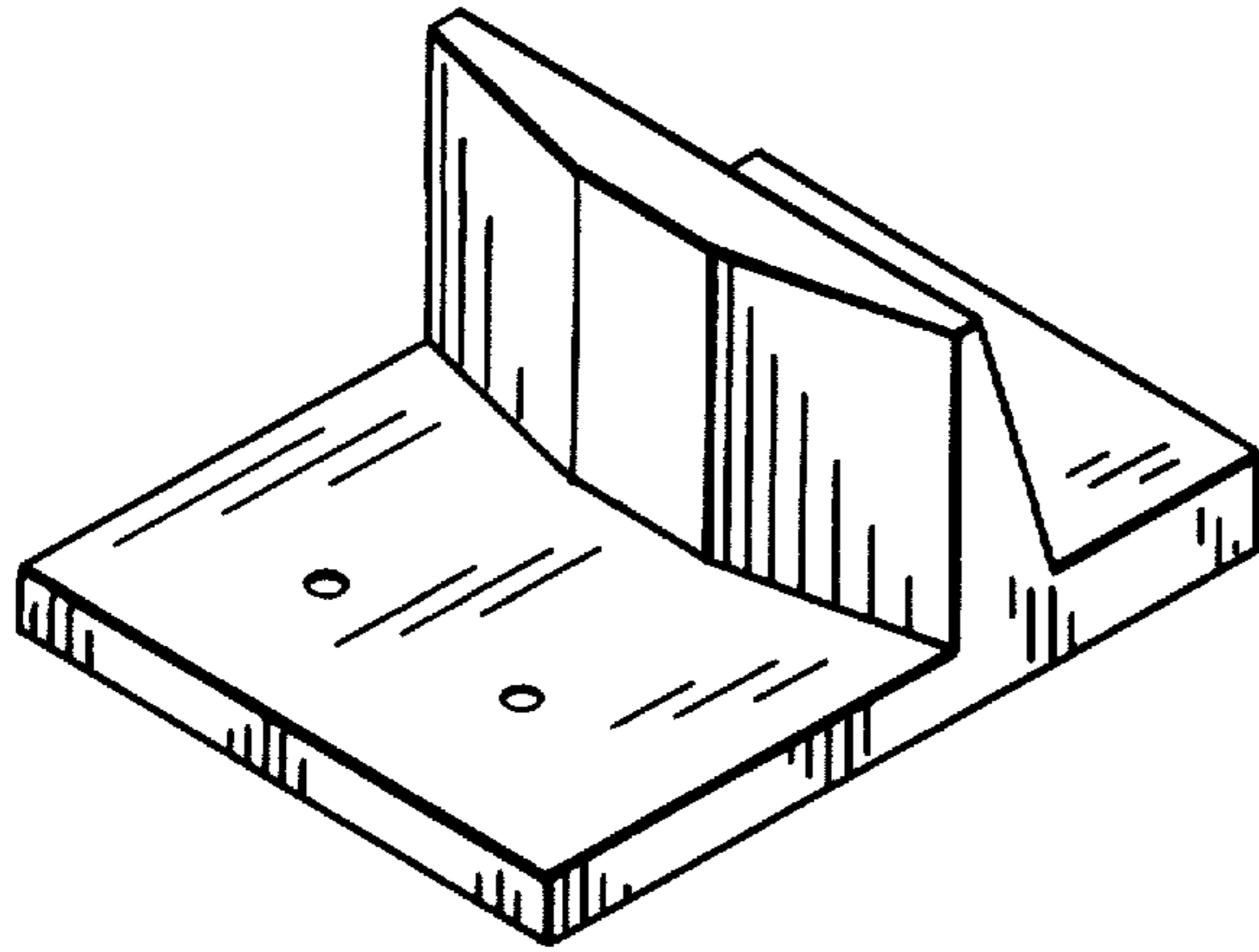


FIG. 1.

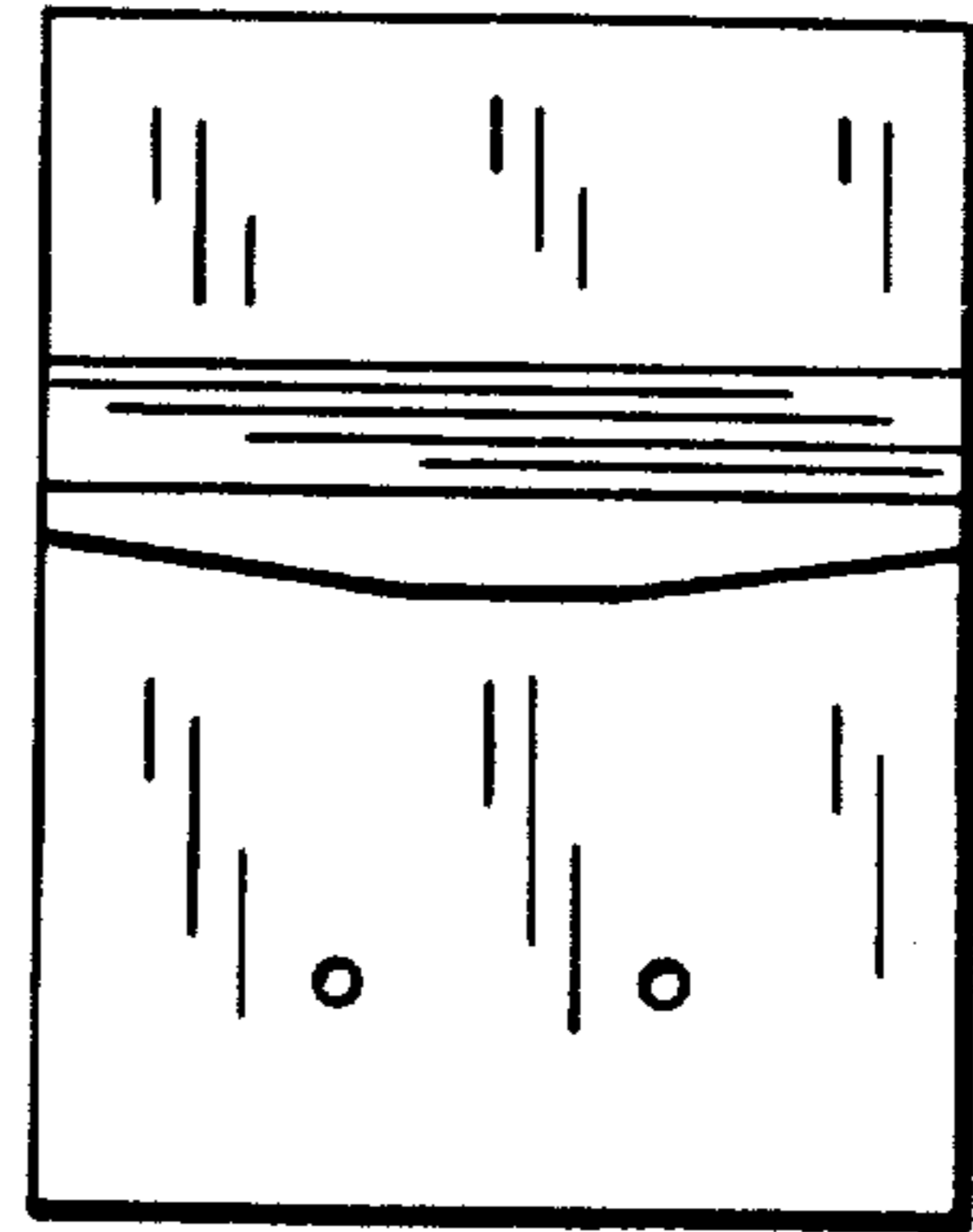


FIG. 3.

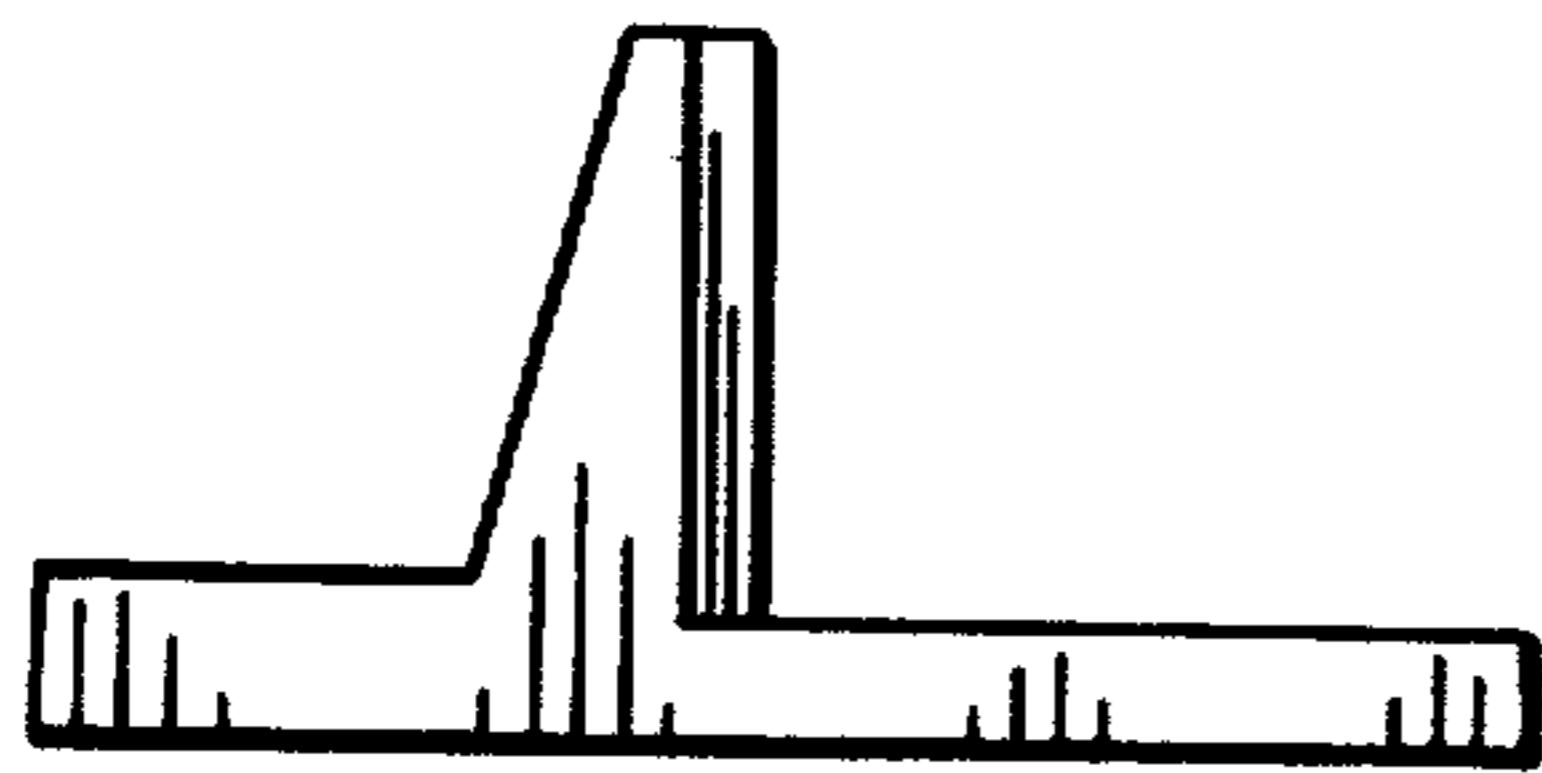


FIG. 2.

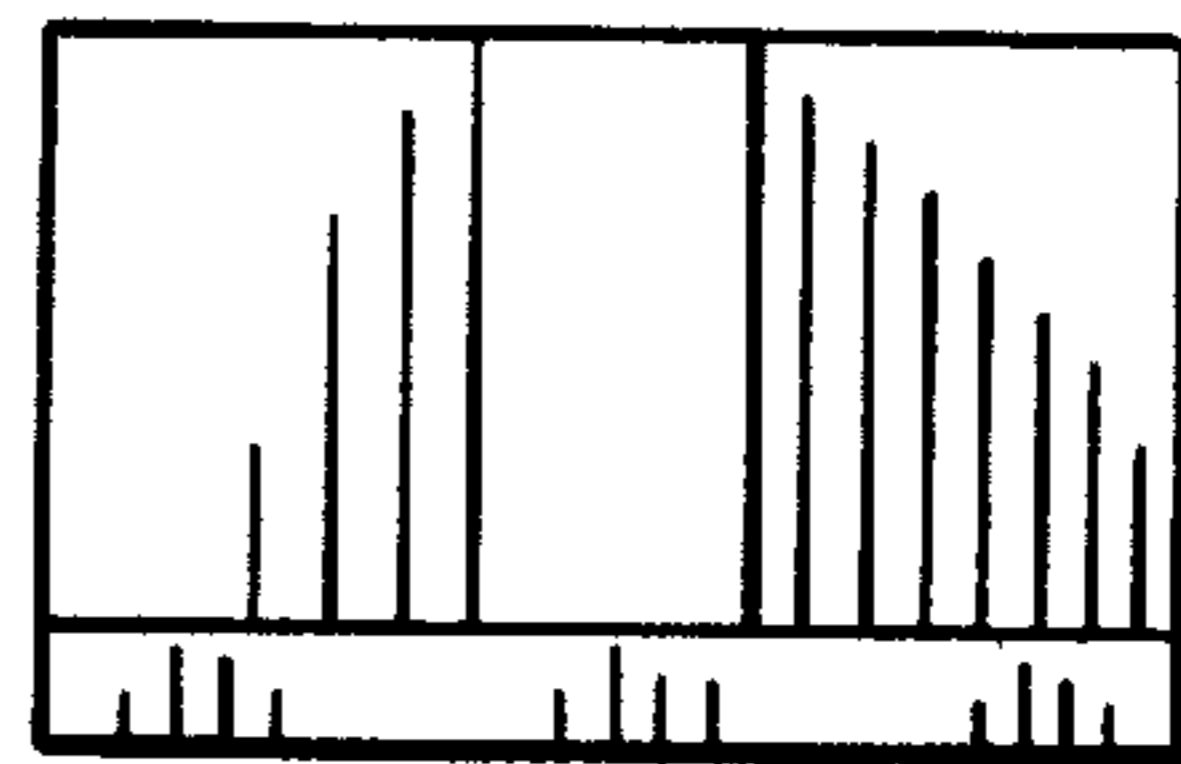


FIG. 4.



FIG. 5.