

[54] WEATHERPROOF COVER ASSEMBLY

[75] Inventor: Henry Leong, Kendall Park, N.J.

[73] Assignee: GTE Products Corporation, Stamford, Conn.

[21] Appl. No.: 241,798

[22] Filed: Mar. 9, 1981

[51] Int. Cl. D8-09; D13-03

[52] U.S. Cl. D8/353; D13/31

[58] Field of Search D8/350, 351, 353; D13/30, 32; 339/36, 44 R, 44 M; 270/3.8, 3.9, 241, 242; 174/66, 67

[56] References Cited

U.S. PATENT DOCUMENTS

D. 216,185	12/1969	Thompson	D8/353
D. 253,225	10/1979	Petralia et al.	D13/31
3,140,344	7/1964	Slater et al.	174/67
3,716,815	2/1973	Riches	339/44 M
4,134,516	1/1979	Sullo	174/67
4,197,959	4/1980	Kramer	339/44 R

Primary Examiner—B. J. Bullock

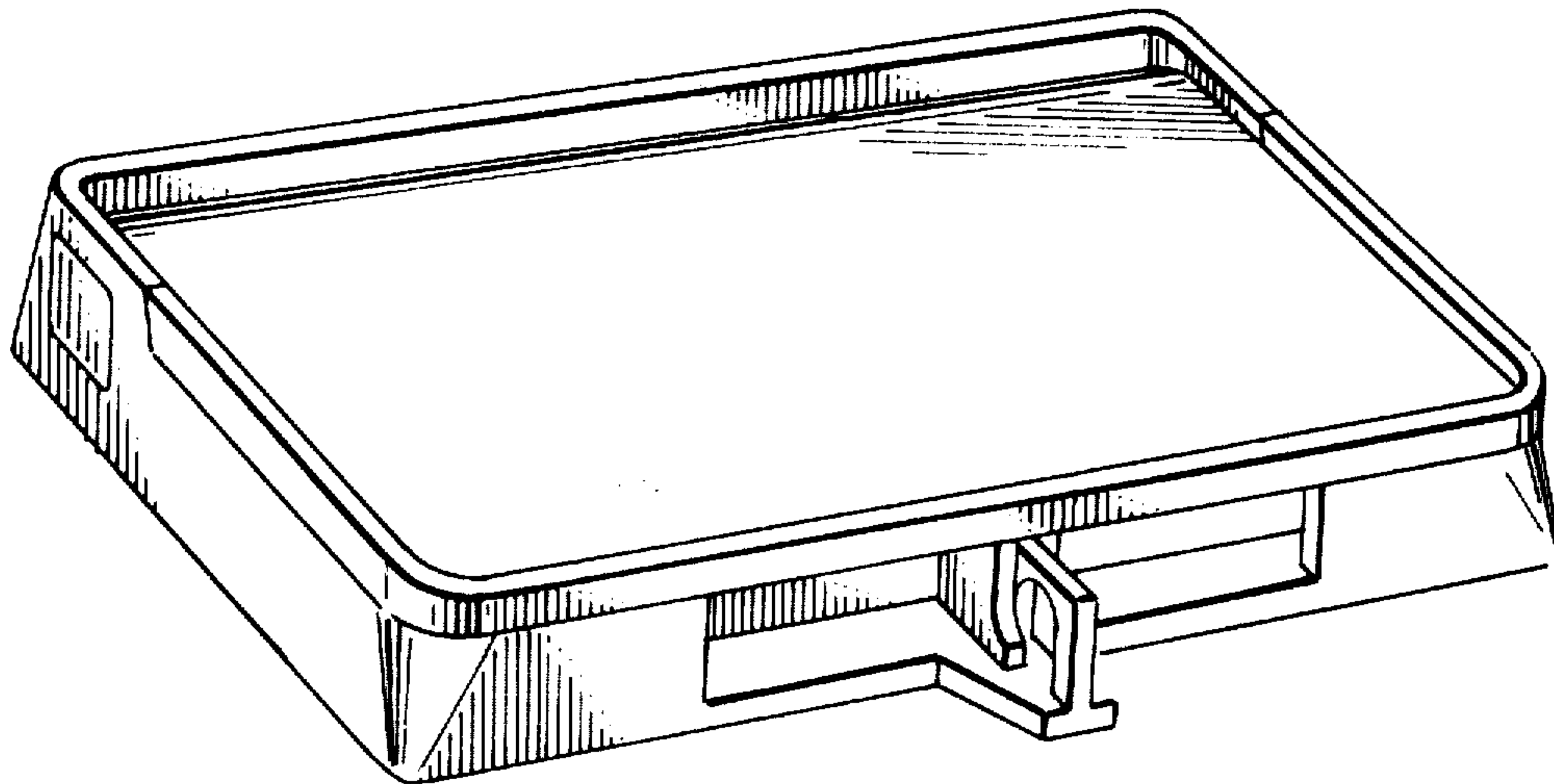
Attorney, Agent, or Firm—David M. Keay; William R. McClellan

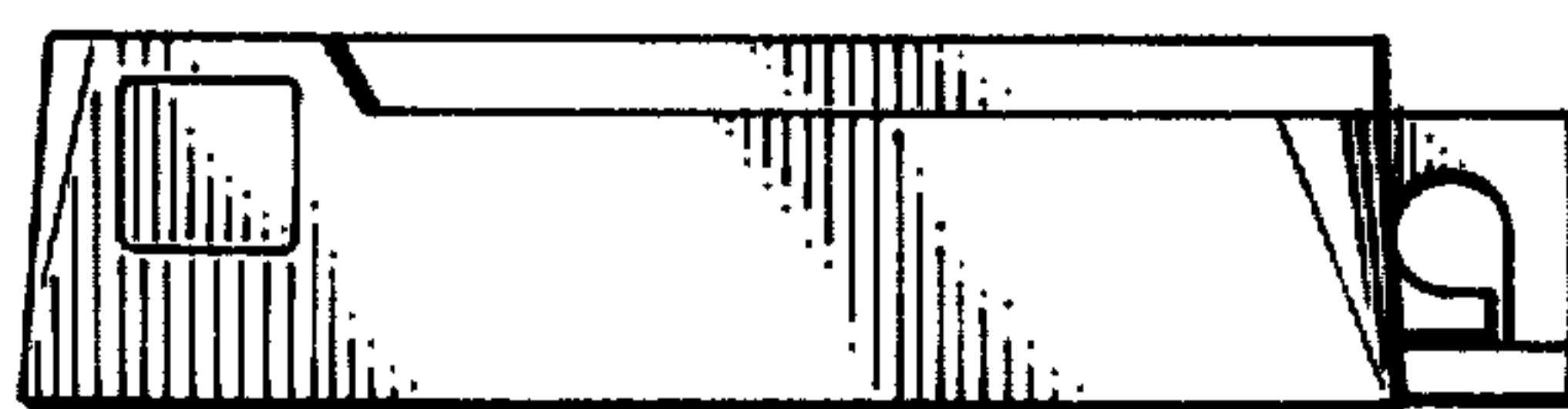
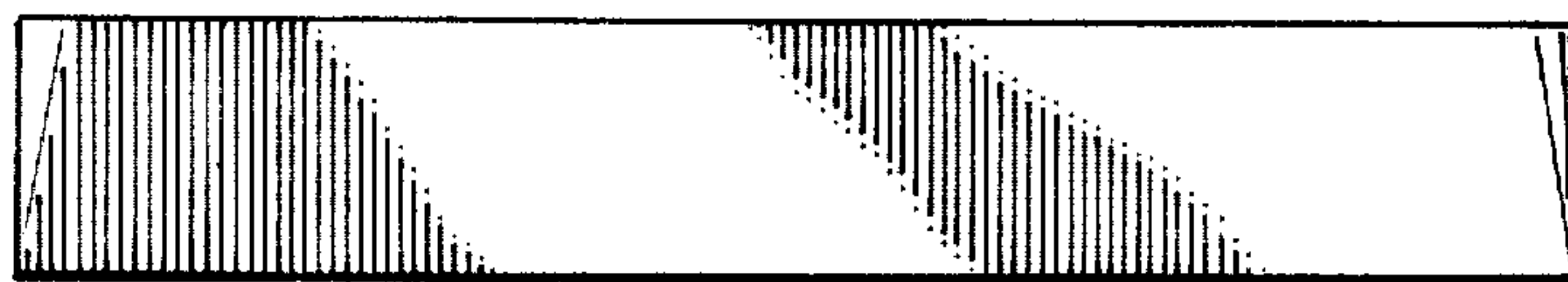
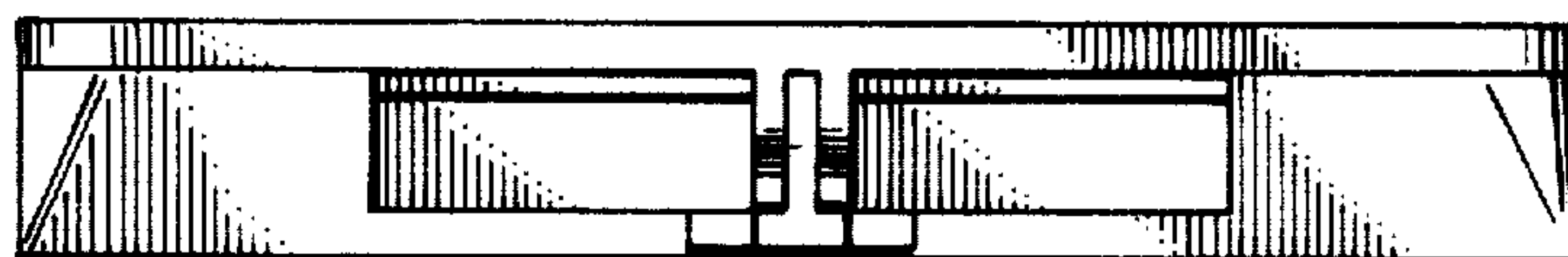
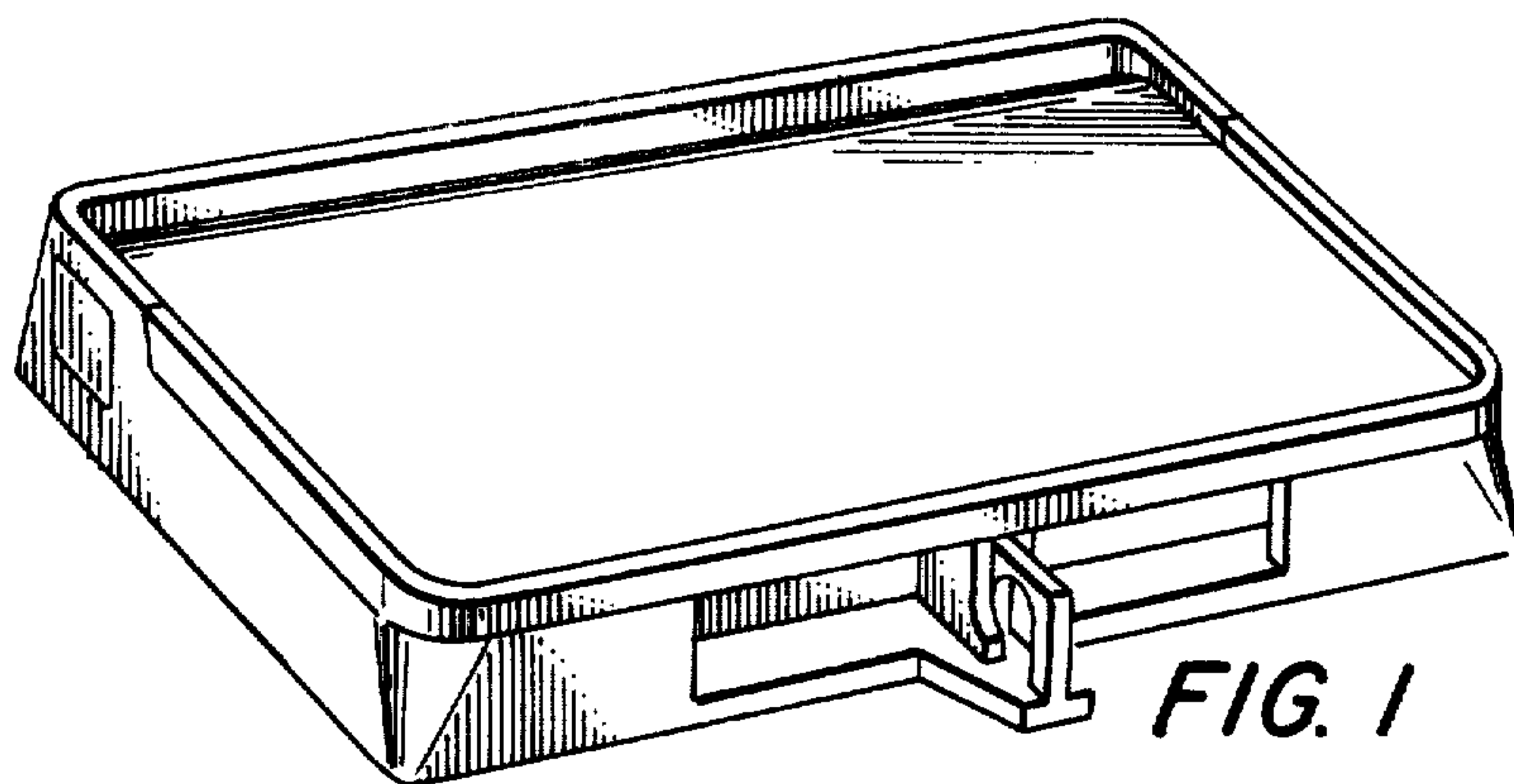
[57] CLAIM

The ornamental design for a weatherproof cover assembly, substantially as shown and described.

DESCRIPTION

FIG. 1 is a perspective view of a weatherproof cover assembly embodying my new design;
 FIG. 2 is a bottom view thereof;
 FIG. 3 is a top view thereof;
 FIG. 4 is a side view taken from the left of FIG. 1;
 FIG. 5 is a front view thereof;
 FIG. 6 is a rear view thereof;
 FIG. 7 is a perspective view of a second embodiment of the design of FIG. 1;
 FIG. 8 is a bottom view of FIG. 7;
 FIG. 9 is a top view of FIG. 7;
 FIG. 10 is a side view taken from the left of FIG. 7;
 FIG. 11 is a front view of FIG. 7;
 FIG. 12 is a rear view of FIG. 7;
 FIG. 13 is a perspective view of a third embodiment of the design of FIG. 1;
 FIG. 14 is a side view taken from the left of FIG. 13;
 FIG. 15 is a bottom view of FIG. 13;
 FIG. 16 is a top view of FIG. 13;
 FIG. 17 is a front view of FIG. 13;
 FIG. 18 is a rear view of FIG. 13.





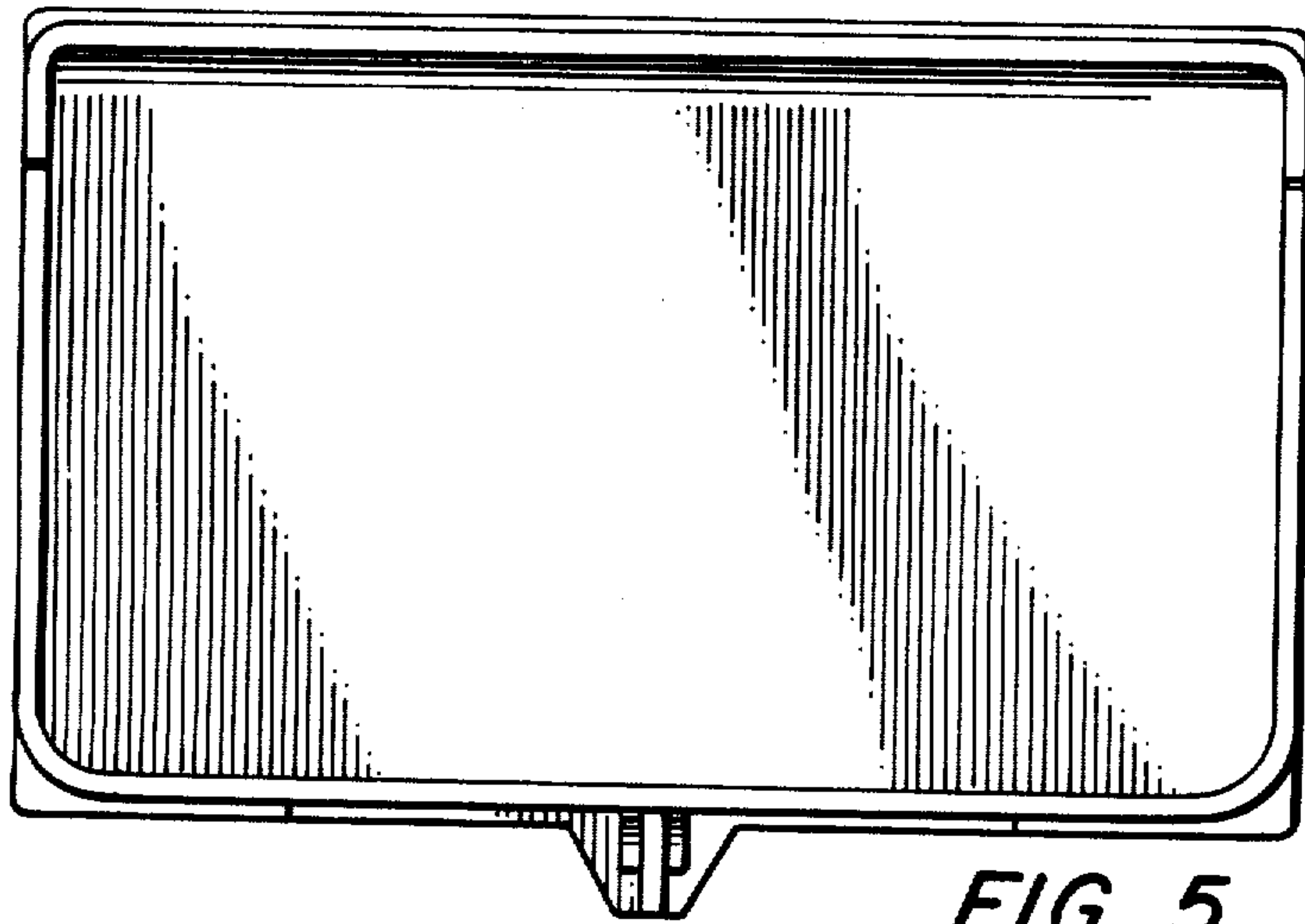


FIG. 5

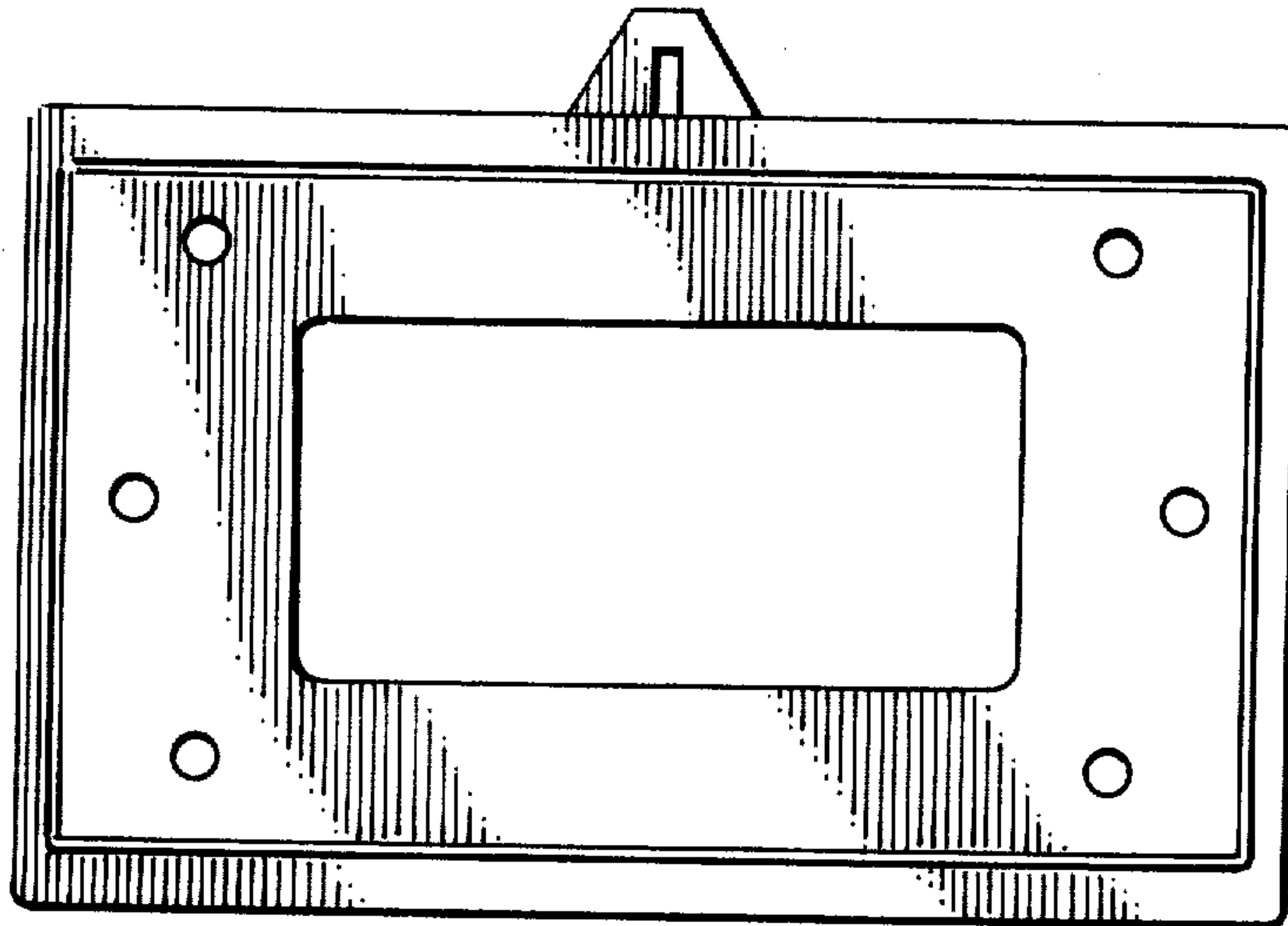
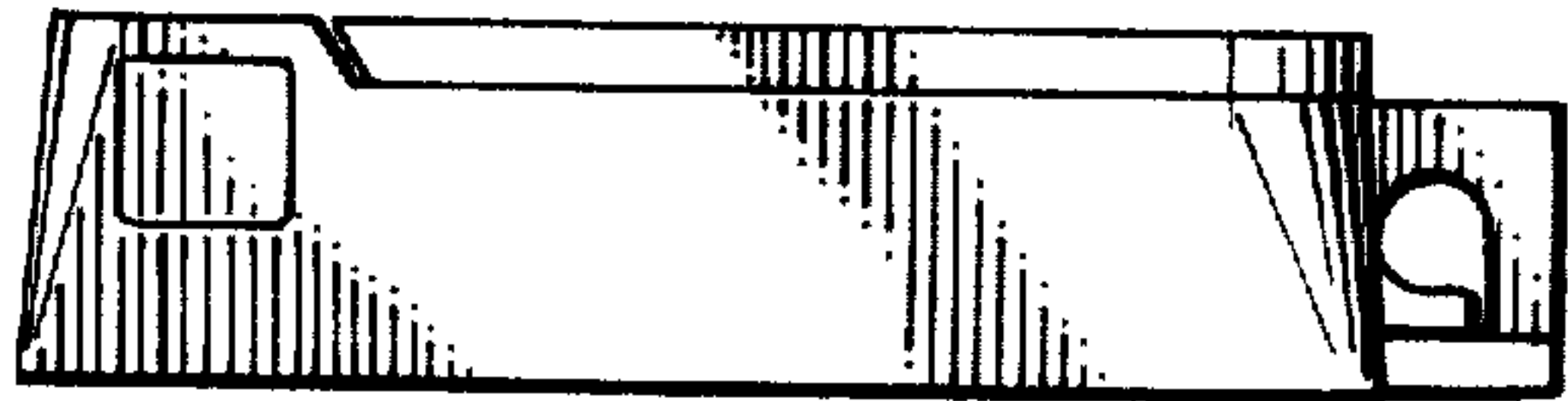
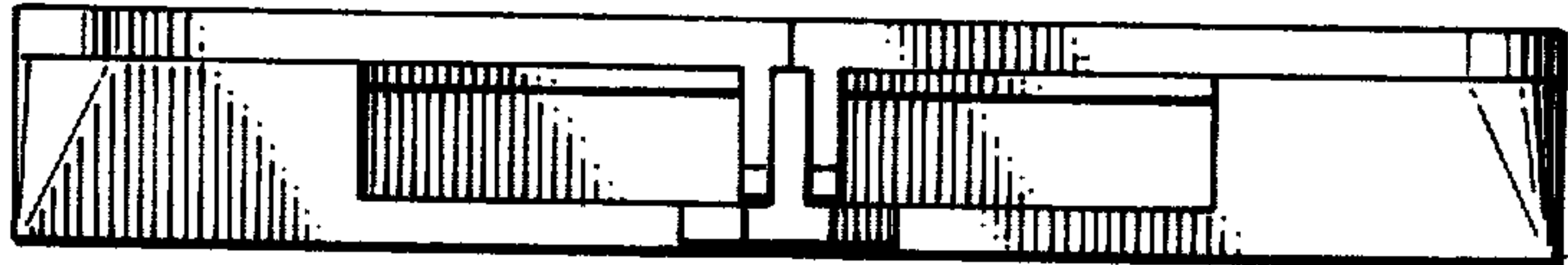
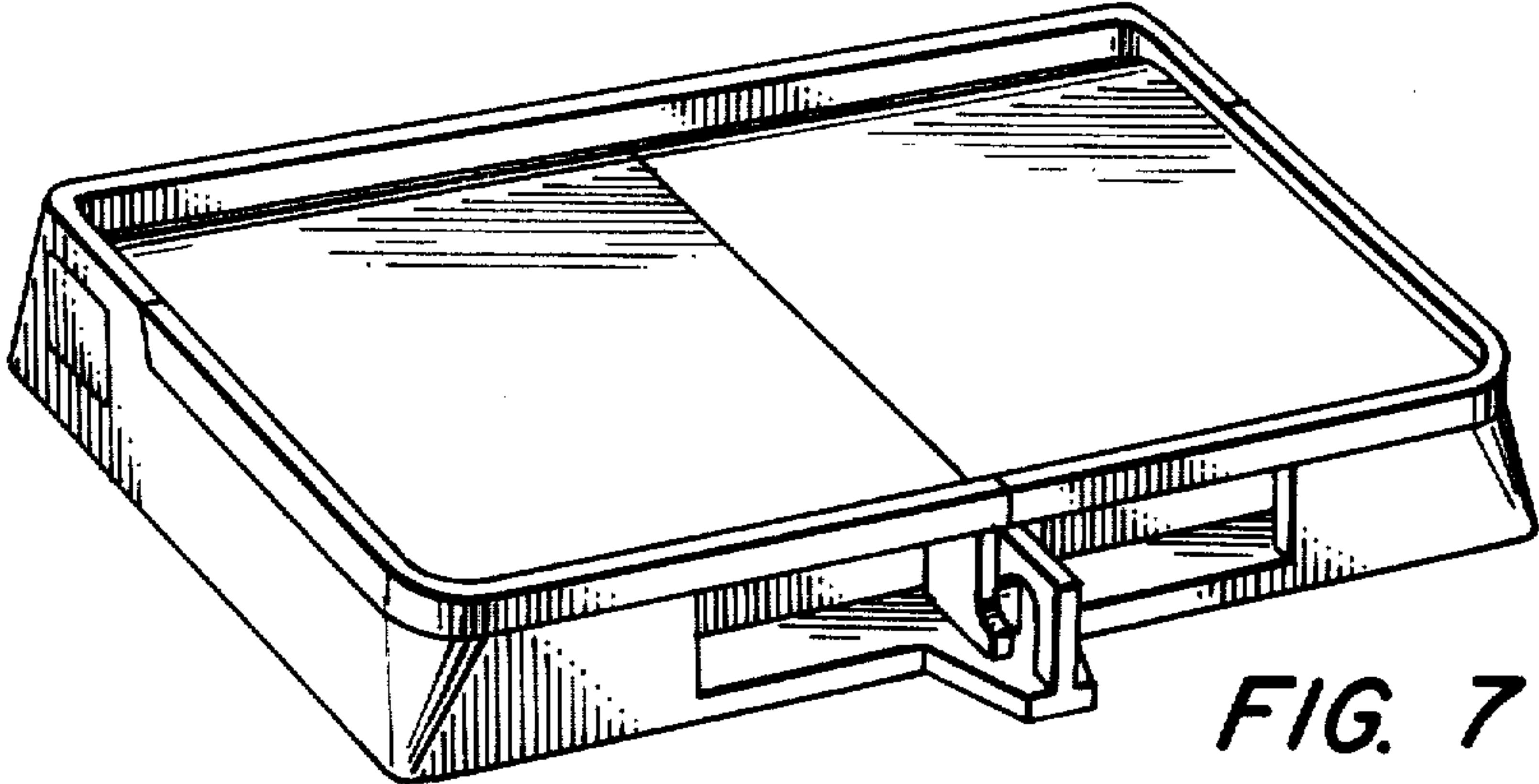


FIG. 6



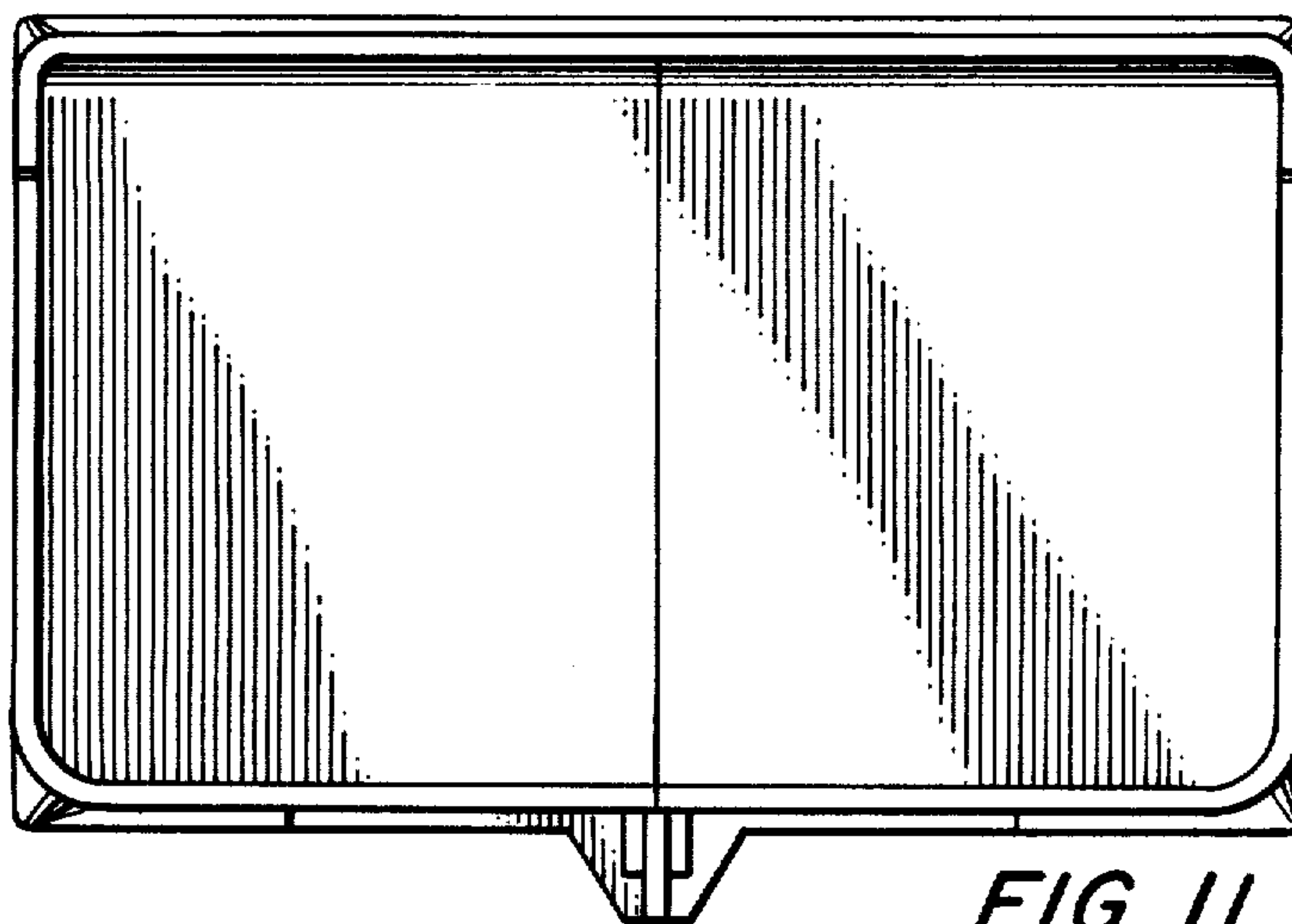


FIG. 11

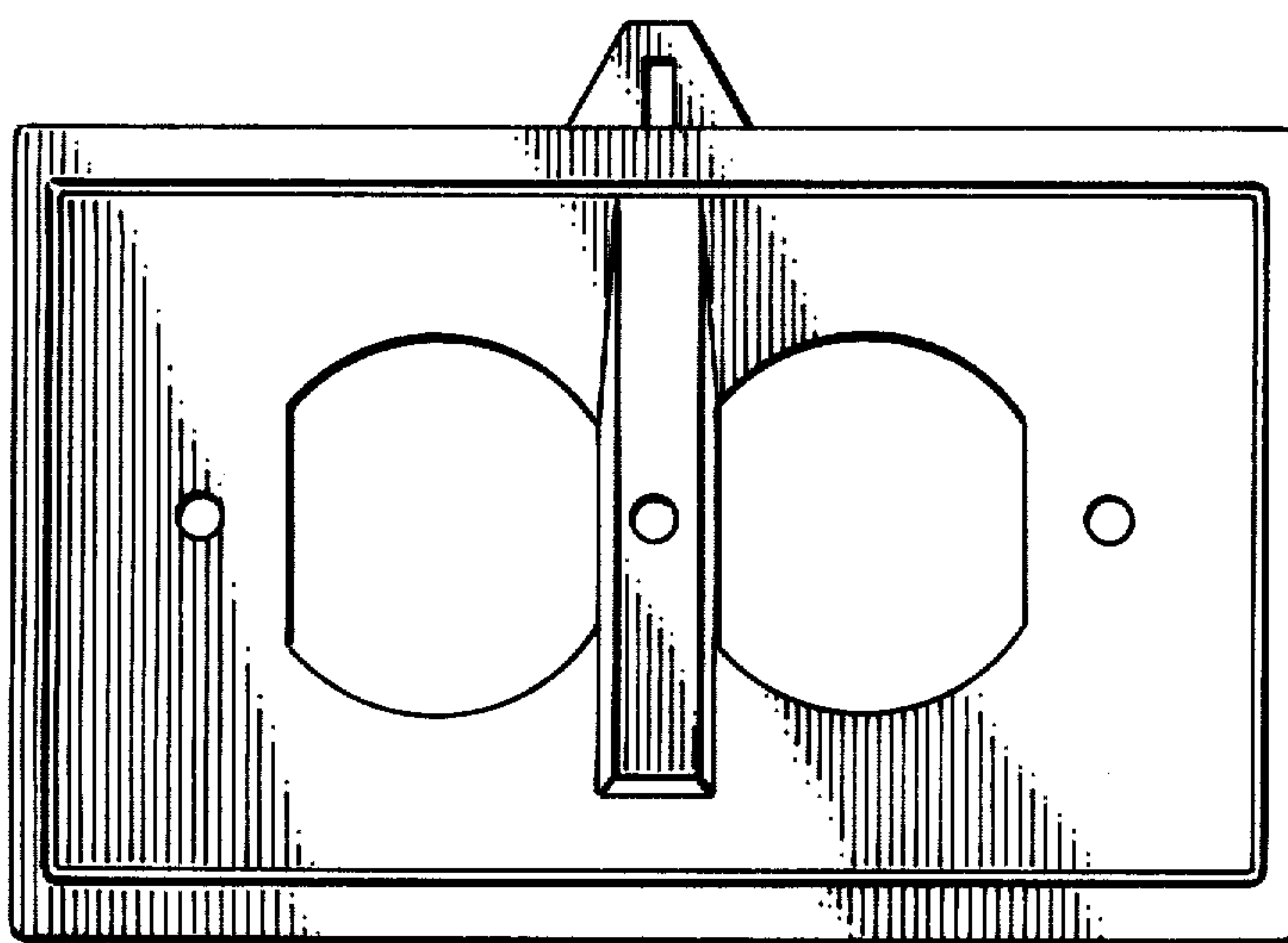


FIG. 12

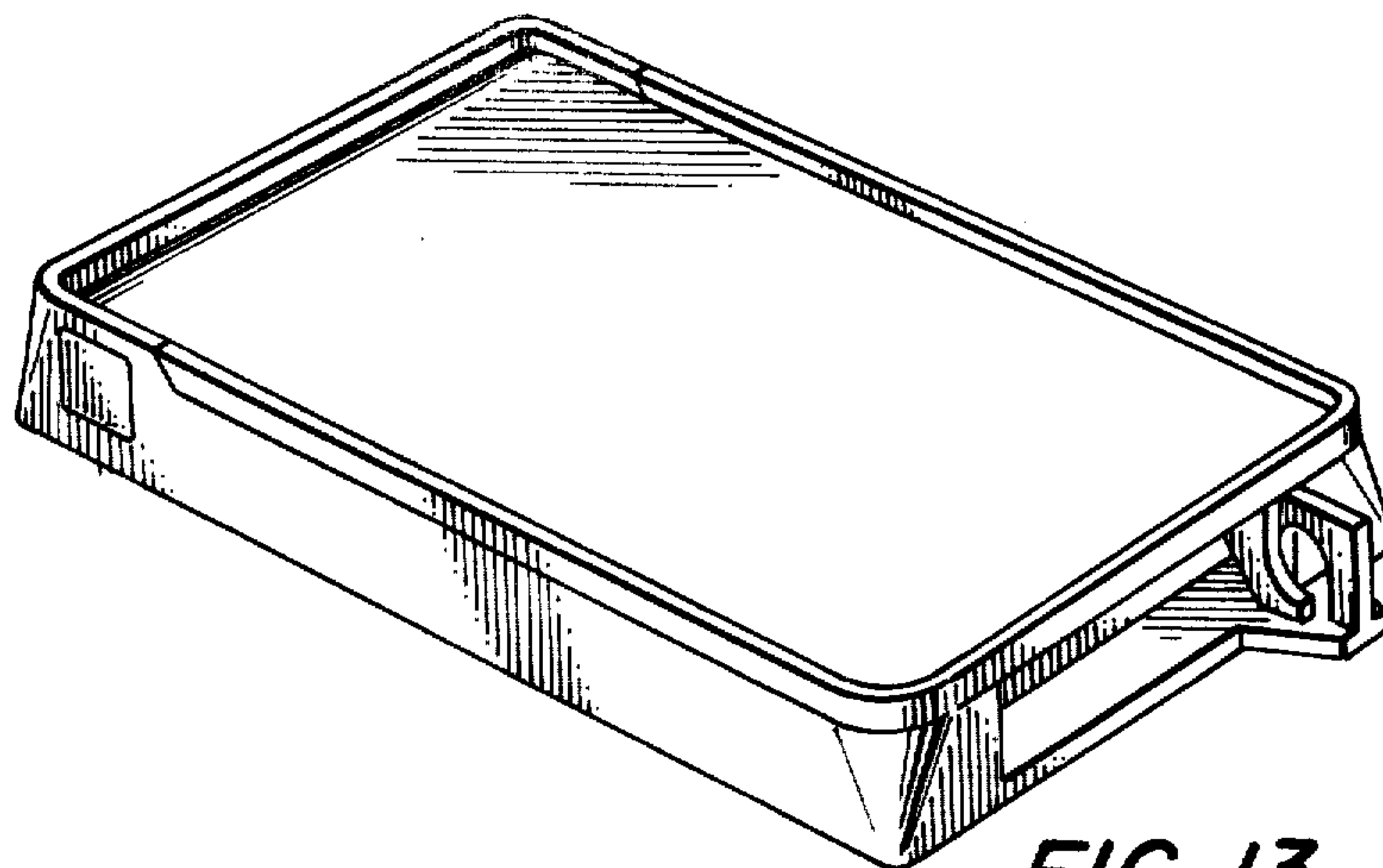


FIG. 13

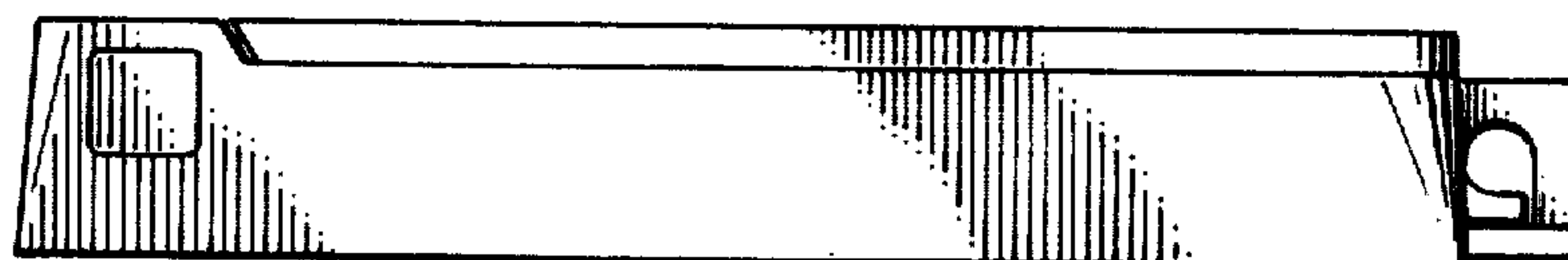


FIG. 14

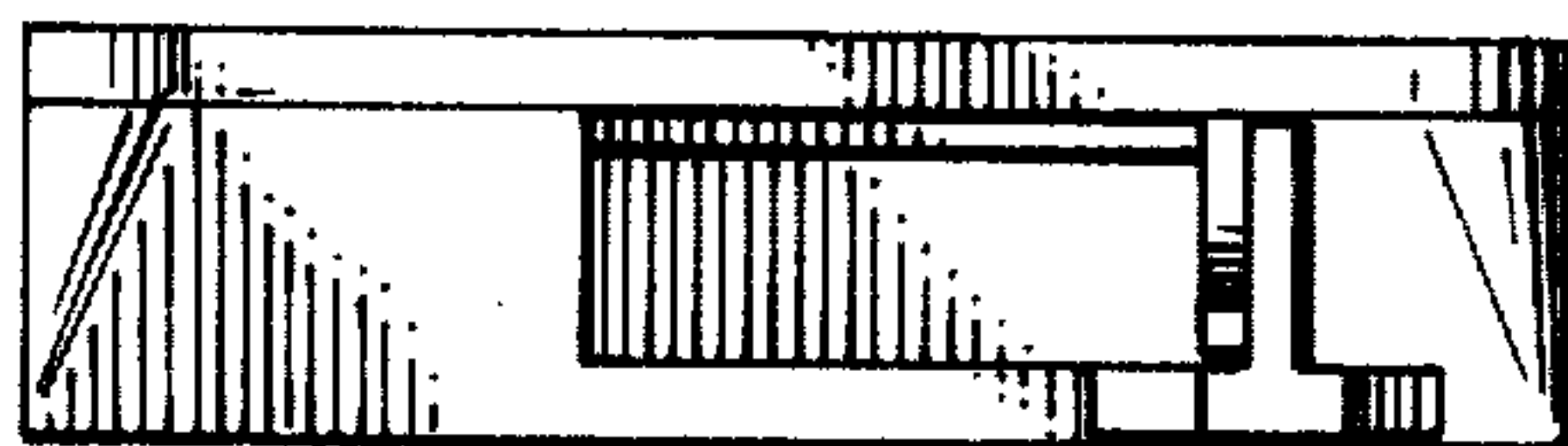


FIG. 15

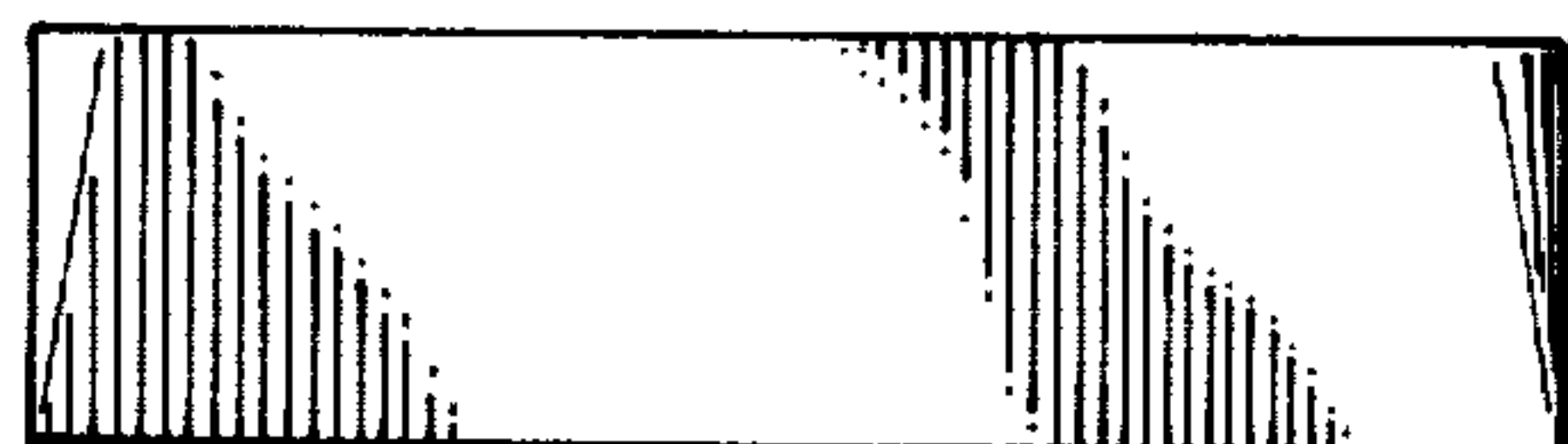


FIG. 16

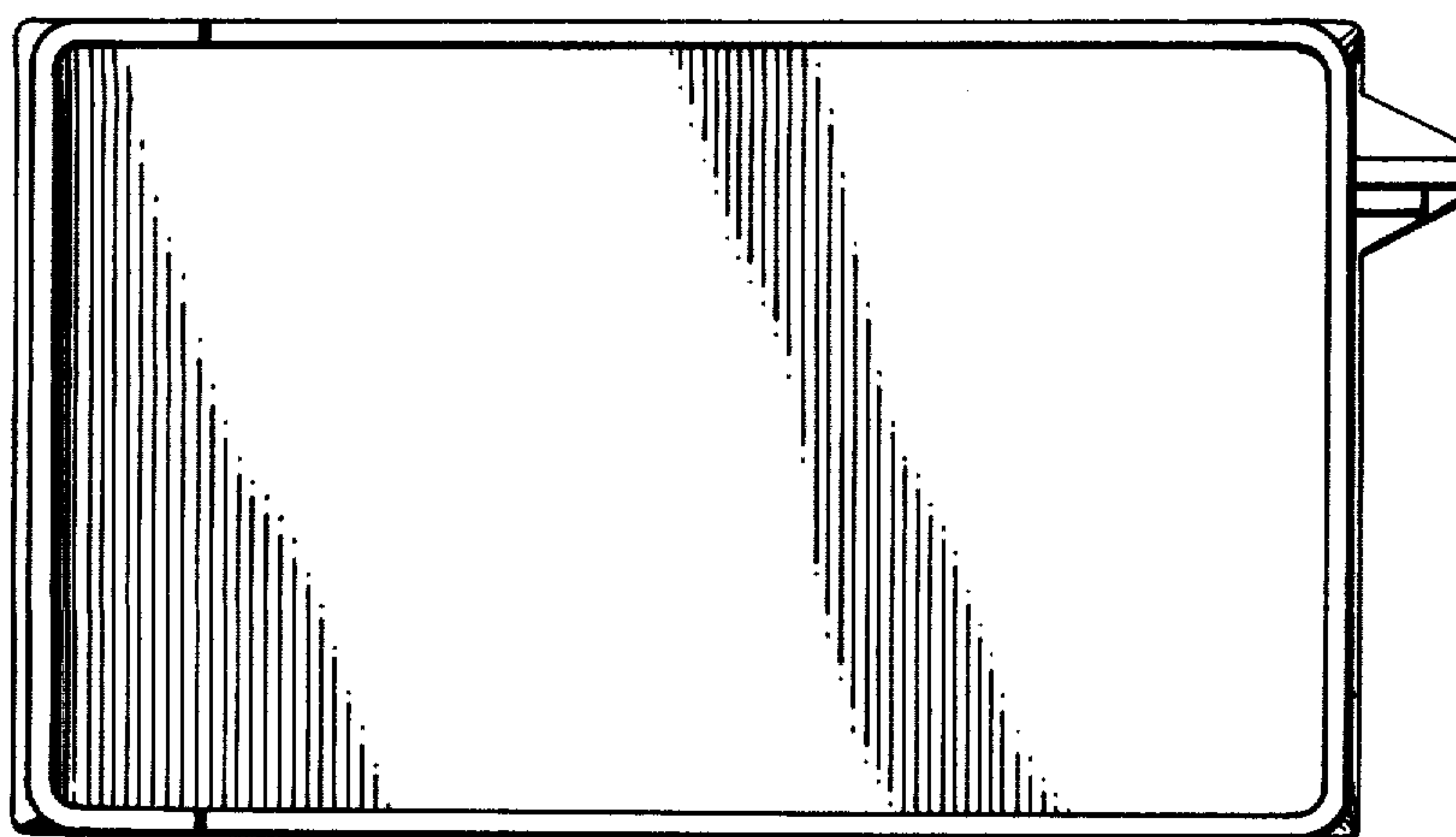


FIG. 17

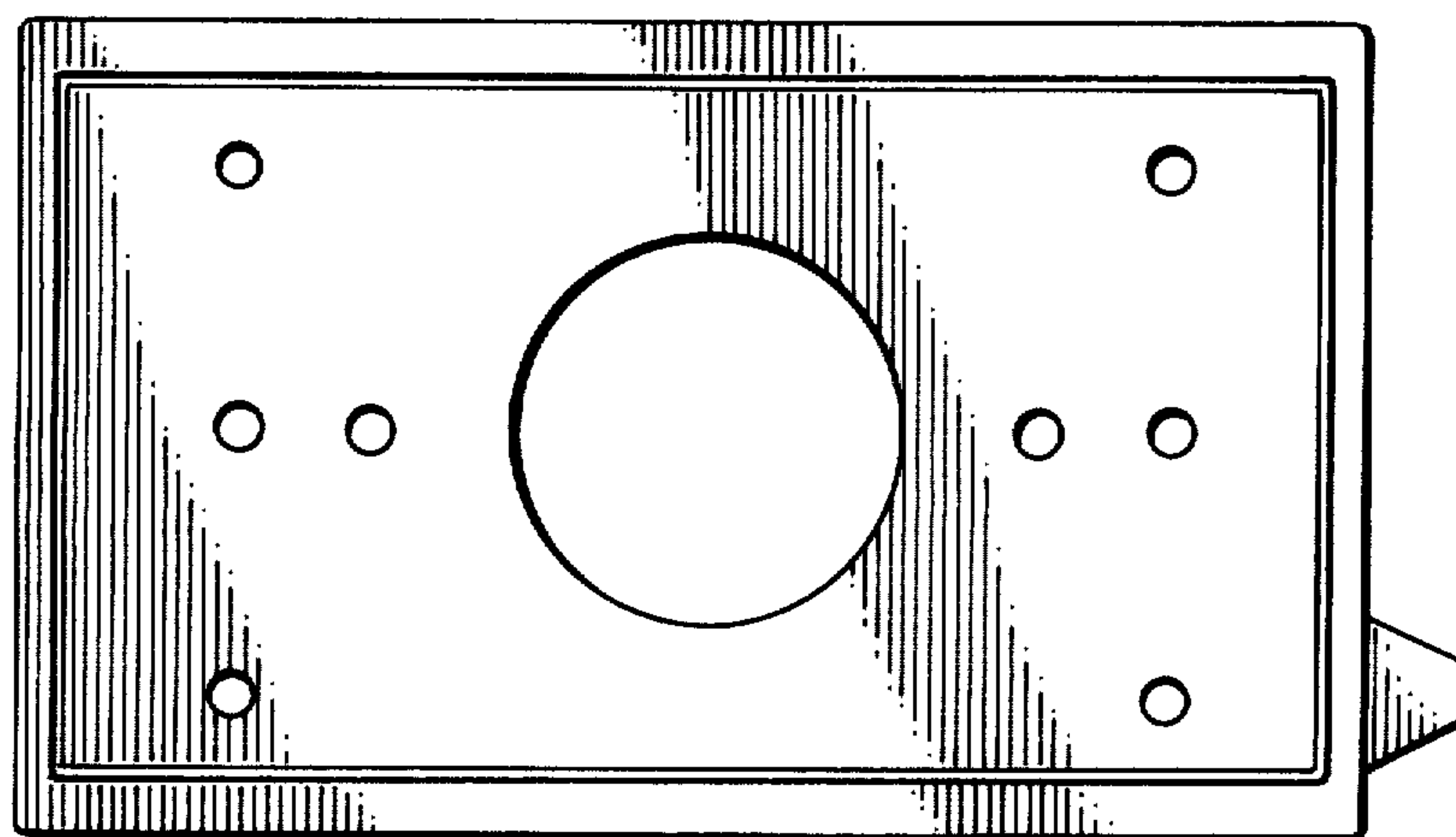


FIG. 18