

[54] HANDLE ATTACHMENT FOR A PNEUMATIC TOOL OR THE LIKE

[76] Inventor: Charles W. Mayo, Rte. 3, Box #30, Longview, Tex. 75603

[21] Appl. No.: 183,770

[22] Filed: Sep. 2, 1980

[51] Int. Cl. D8-05

[52] U.S. Cl. D8/70; D8/107

[58] Field of Search D8/107, 67, 70; 173/162 H, 170

[56] References Cited

U.S. PATENT DOCUMENTS

D. 68,615	11/1925	Decker	D8/70
D. 170,185	8/1953	Crichton, Jr.	D8/67
D. 248,821	8/1978	Poe	D8/107
D. 263,019	2/1982	Samuelsson	D8/70
3,272,267	9/1966	Langas	173/170

Primary Examiner—Alan P. Douglas
Attorney, Agent, or Firm—John M. Harrison

[57] CLAIM

The ornamental design for a handle attachment for a pneumatic tool or the like, substantially as shown and described.

DESCRIPTION

FIG. 1 is a perspective view of the handle attachment for a pneumatic tool or the like in position on a pneumatic impact tool (illustrated in phantom), showing my new design;

FIG. 2 is a top elevation of the handle attachment for a pneumatic tool or the like;

FIG. 3 is a right side elevation thereof;

FIG. 4 is a left side elevation thereof;

FIG. 5 is a bottom elevation of the handle attachment for a pneumatic tool or the like;

FIG. 6 is a front elevation thereof; and

FIG. 7 is a rear elevation of the handle attachment for a pneumatic tool or the like illustrated in FIGS. 1-6.

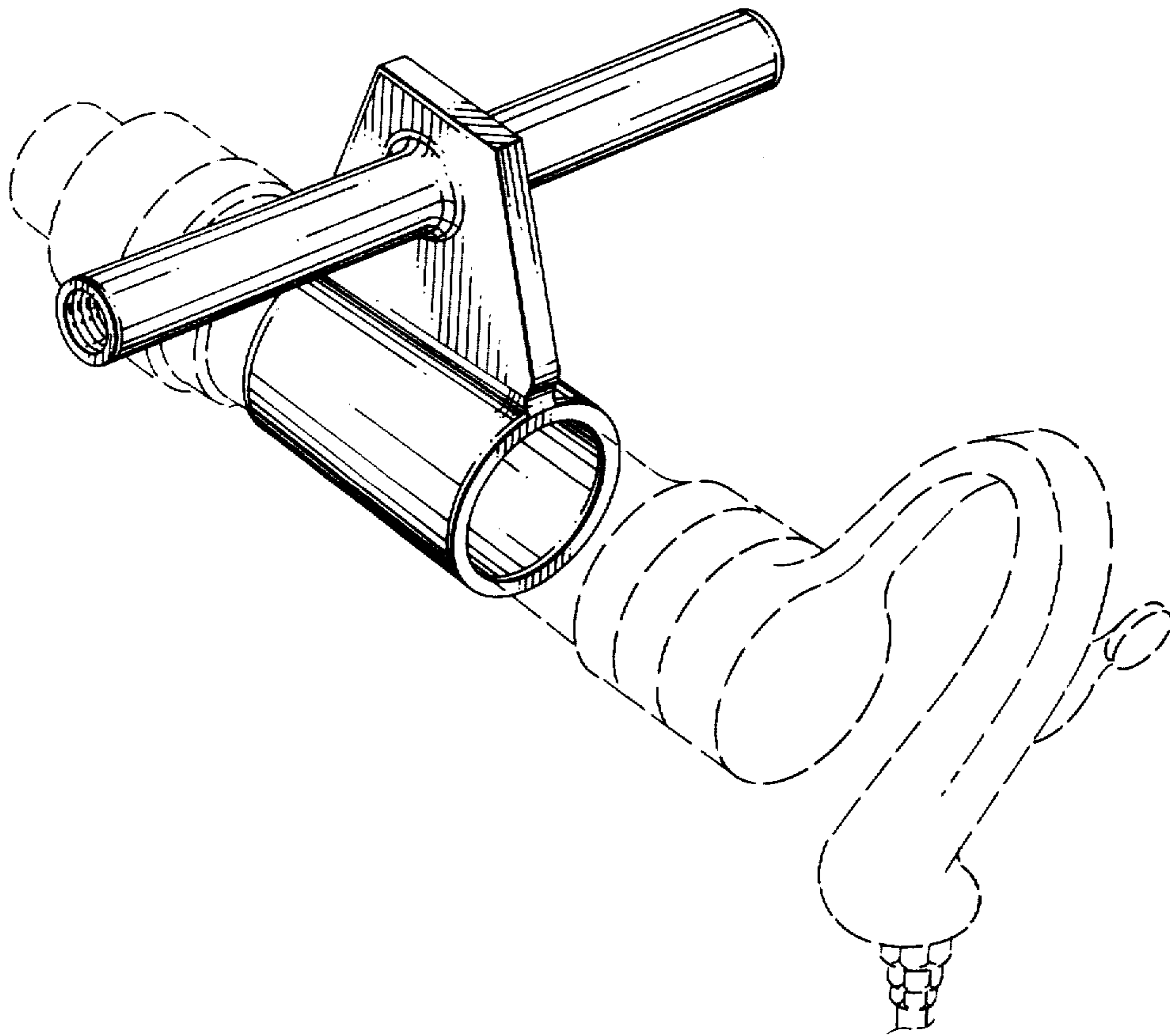


FIG. 1

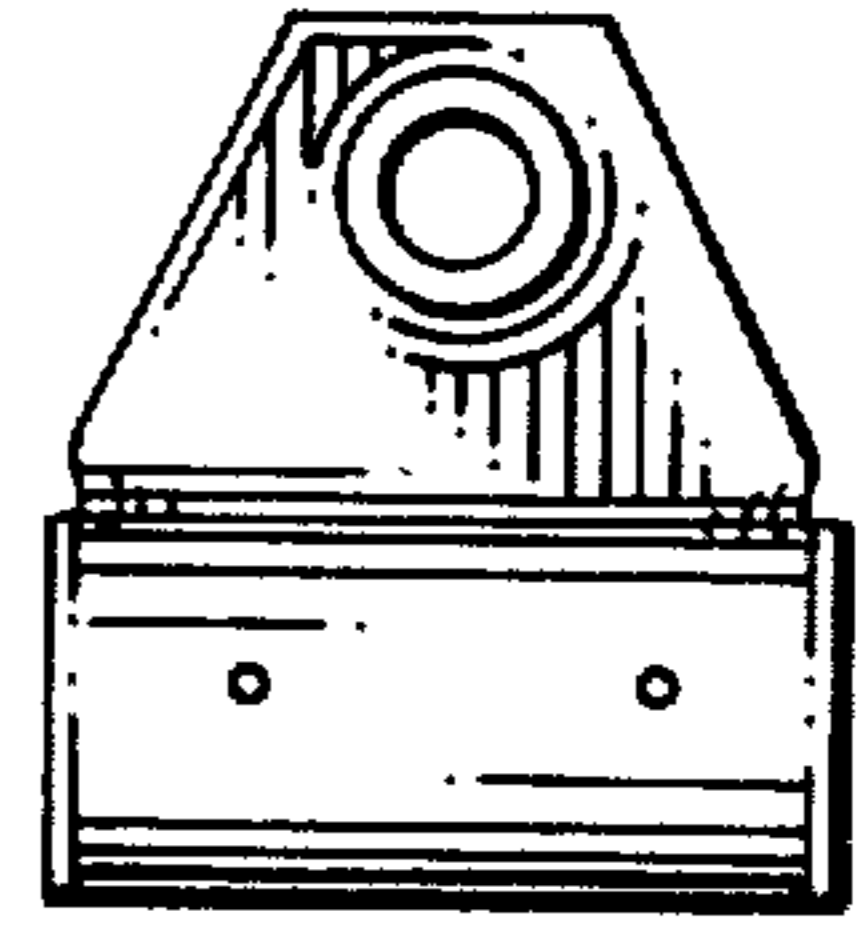
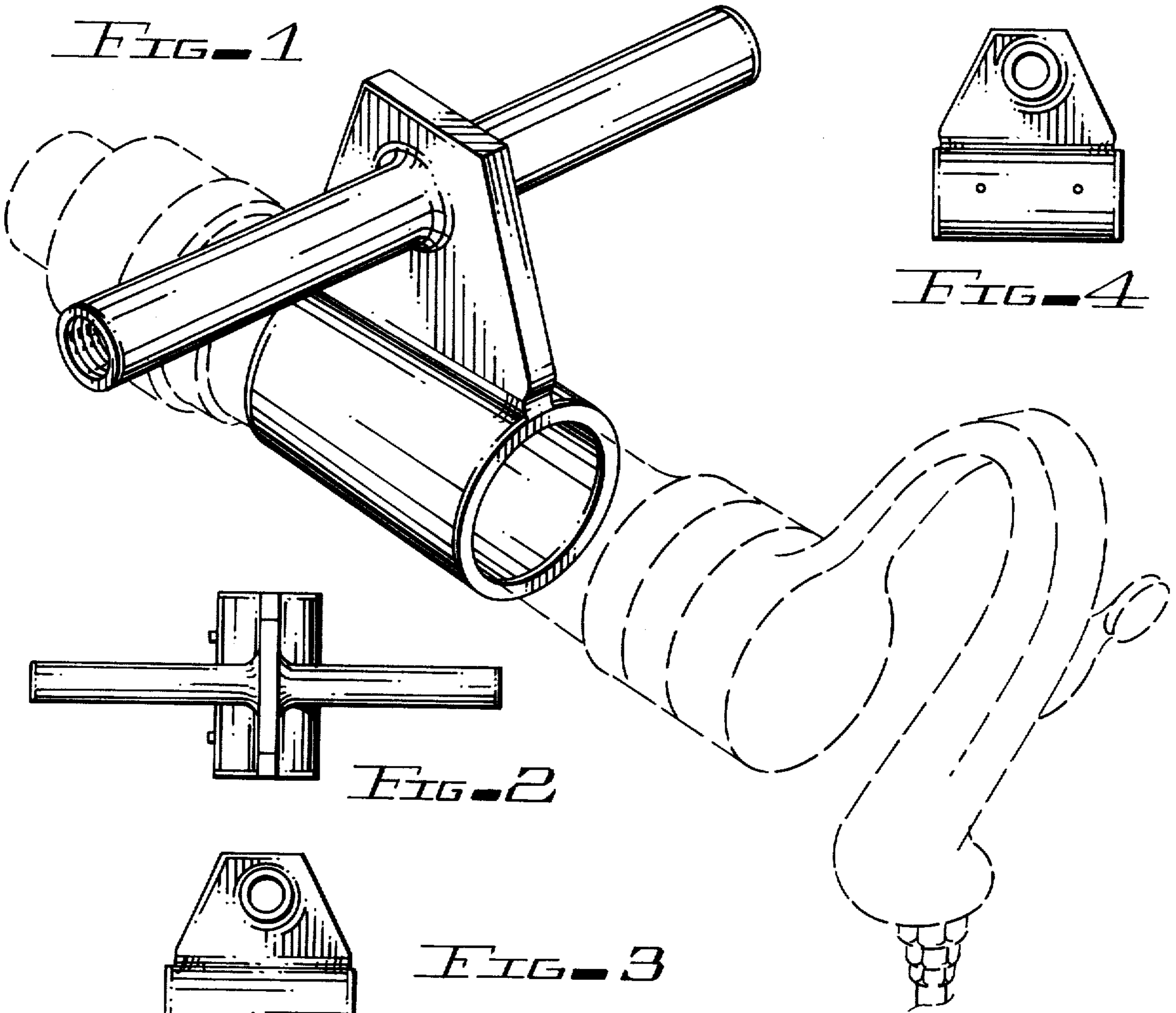


FIG. 4

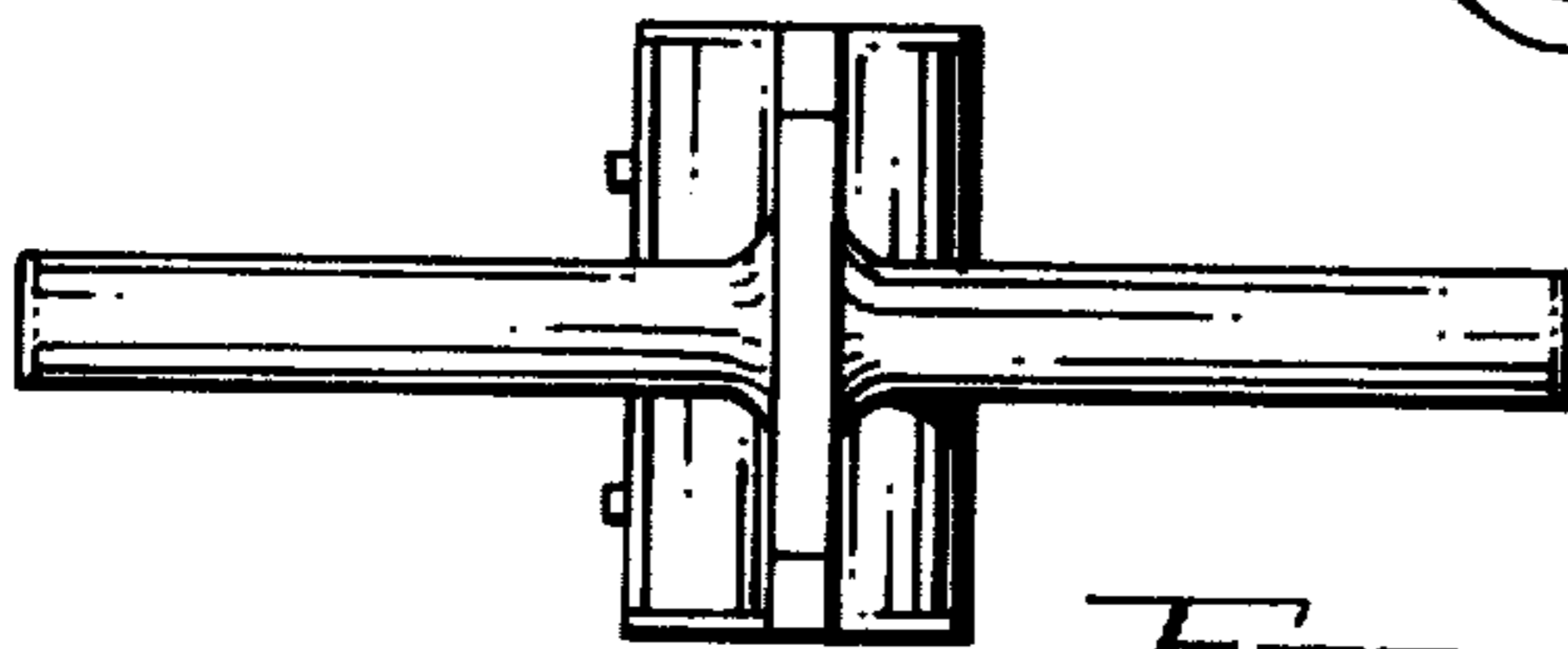


FIG. 2

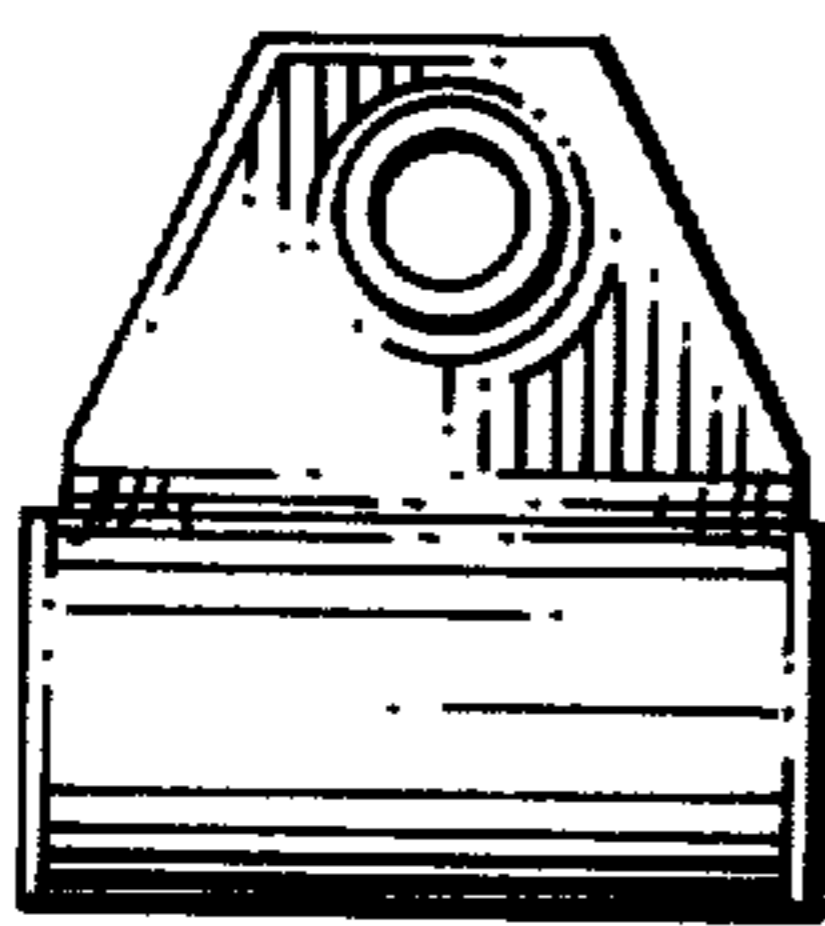


FIG. 3

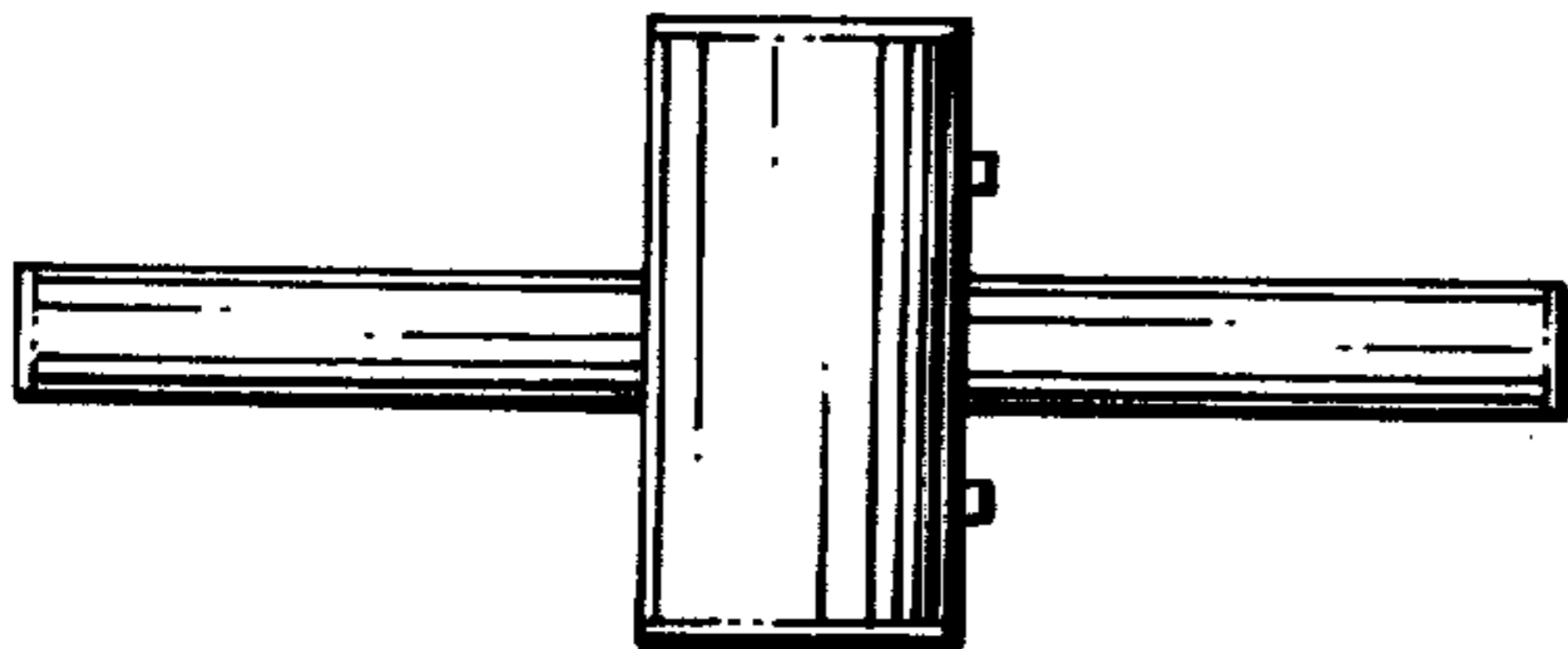


FIG. 5

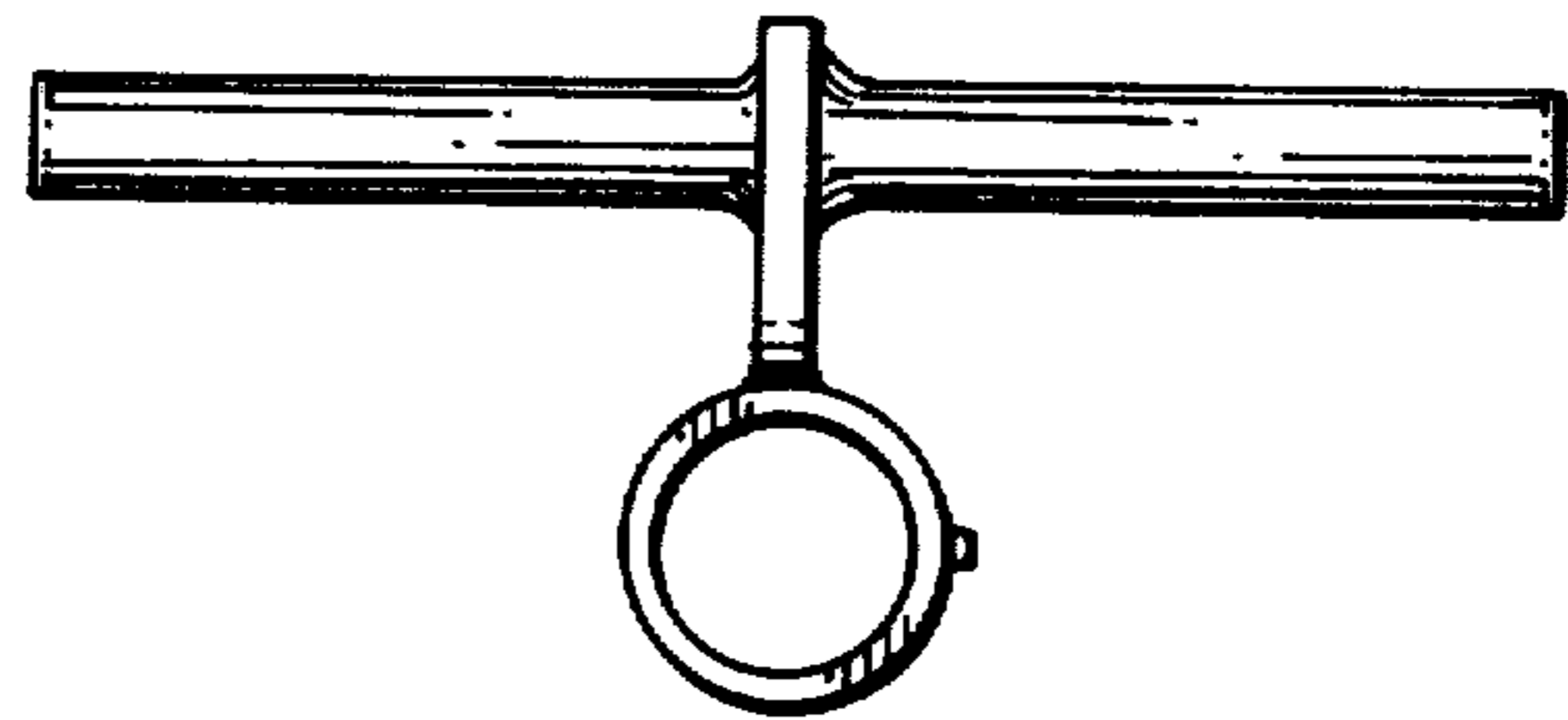


FIG. 6

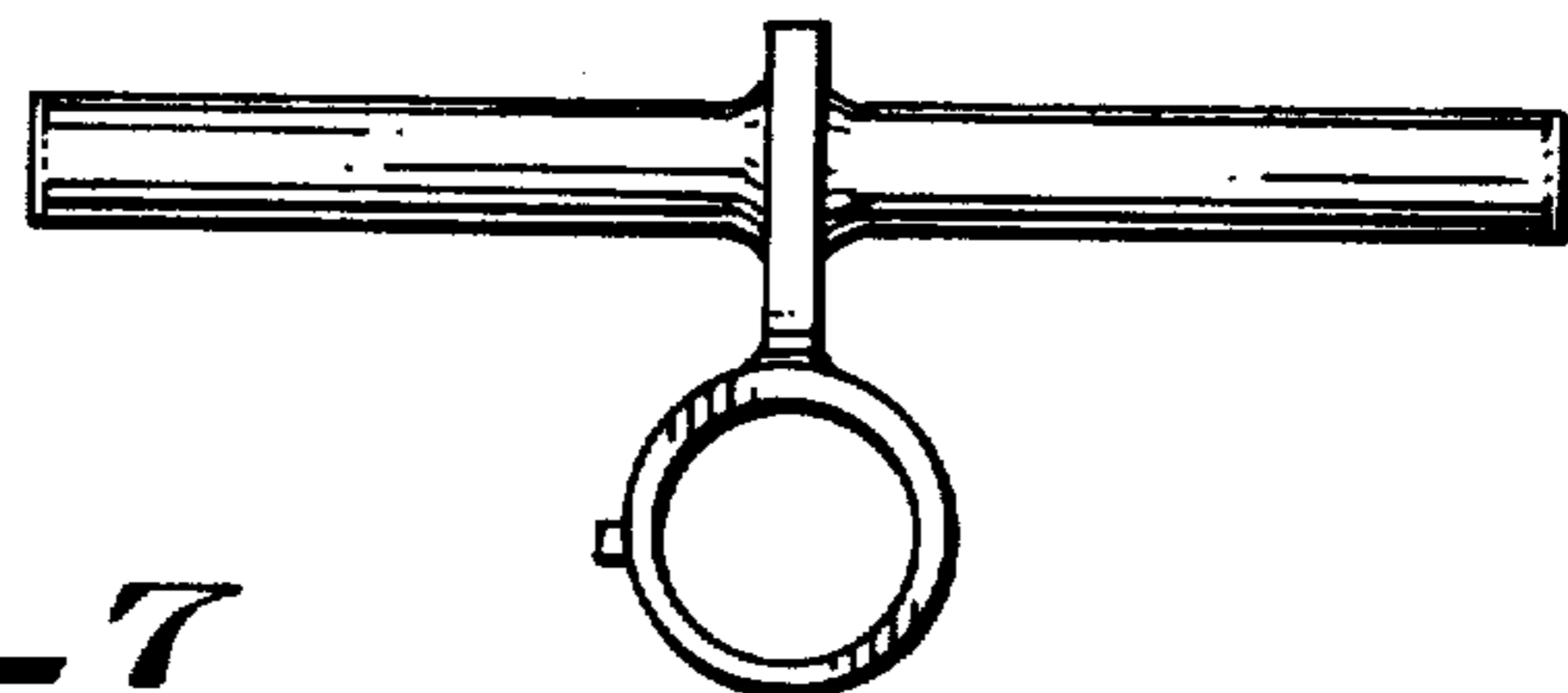


FIG. 7